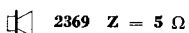




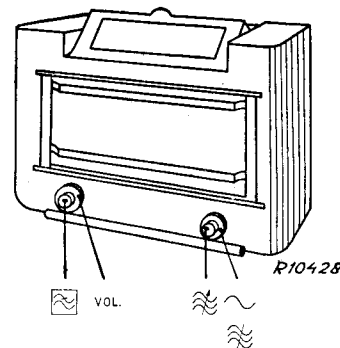
16.5—51 m
198—585 m
725—2000 m

128 kc/s
A-32 125 kc/s



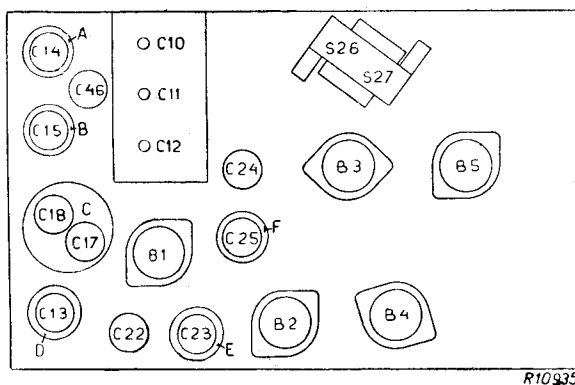
110 V, 125 V, 145 V,
200 V, 220 V, 245 V.

44 W



725—2000 m I		725—2000 m II		198—585 m IV	
VOL. max.	C10, C11, C12 min	VOL. max.	C10, C11, C12 max	744 kc/s — Y	744 kc/s 1000 kc/s — Y C46 min.
128 kc/s-33000 pF-g4B1		128 kc/s — Y			
125 kc/s (A-32)		125 kc/s (A-32)			
C24—25000 Ω		C13 min.			
C25 max.		198—585 m III			
C24		C10, C11, C12 + 15°			
C23-10.000 Ω-0,1 μF		VOL. max.			
C22 max.		1442 kc/s — Y			
C23		C17, C14, C15, C14, C17 max.			
C25—25000 Ω		725—2000 m III			
C24 max		C10, C11, C12 + 15°			
C25		VOL. max.			
C22-10.000 Ω-0,1 μF		395 kc/s — Y			
C23 max.		C18 max.			
C22					

15° 09 991 740



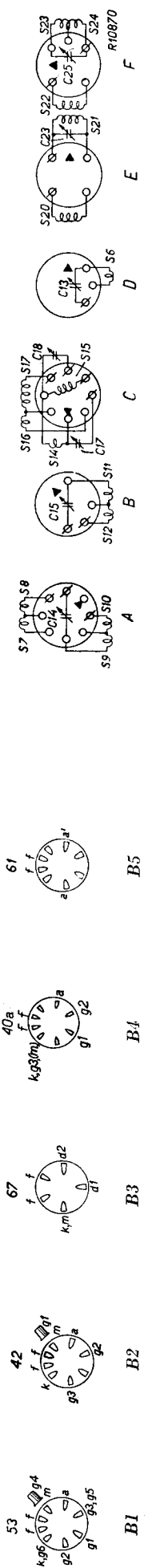
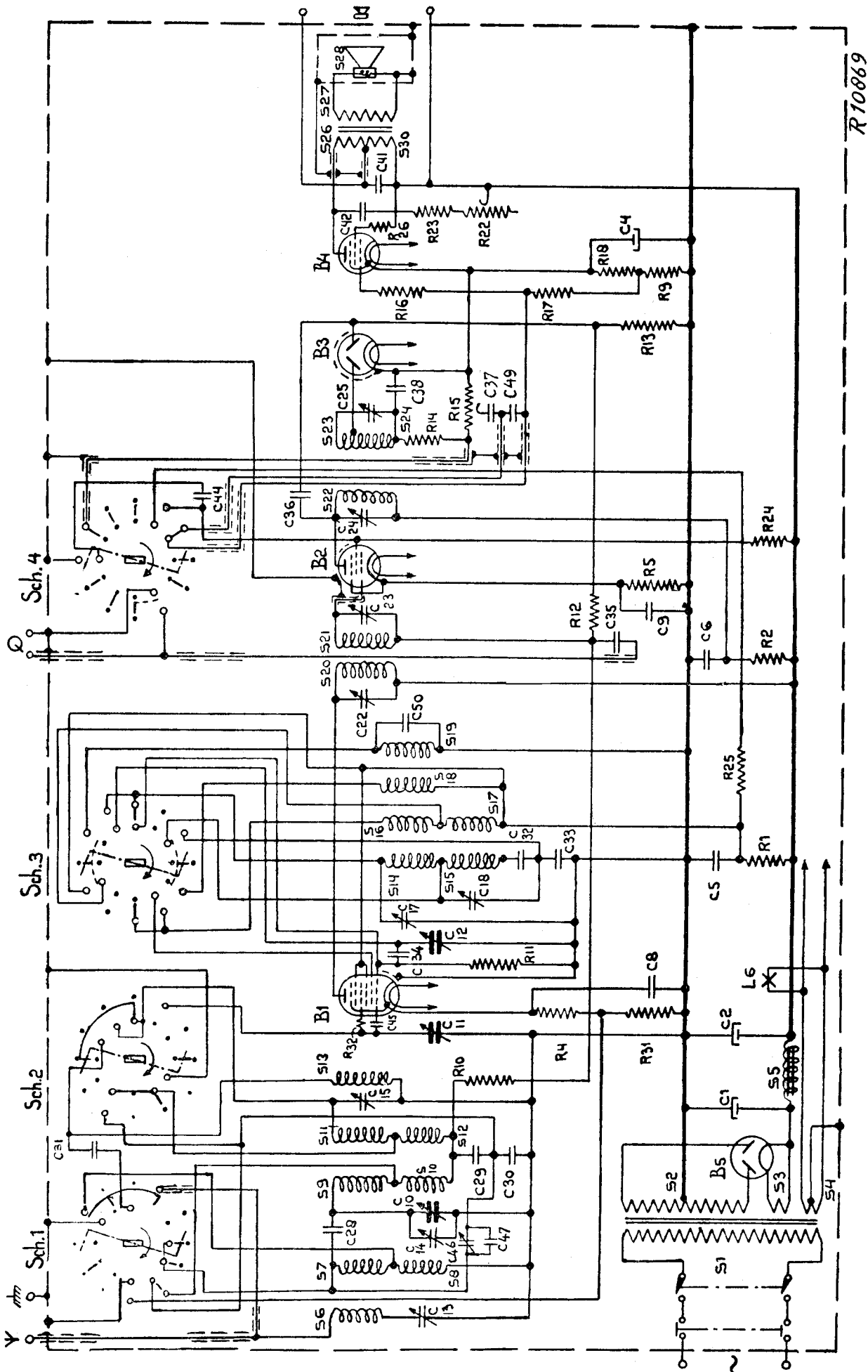
R10435

	B1	B2	B3	B4	B5	
	AK 2	AF 3	AB 2	AL 4	AZ 1	
V _a	225	235		220		V
V _{g2} (3,5)	80	80		235		V
-V _g	2	2		9		V
I _a	2	6,3		33,7		mA
I _{g2}	1,8	2,2		3,8		mA
I _{g3} (5)	4,7					mA

R1	82000/3 Ω	48 427 10/82K	C1	32 μF	28 182 400
R2	3300 Ω	48 426 10/3K3	C2	32 μF	28 182 400
R4	270 Ω	48 426 10/270E	C4	50 μF	49 020 010
R5	270 Ω	48 426 10/270E	C5	0,1 μF	48 751 10/100K
R9	100 Ω	48 426 10/100E	C6	0,1 μF	48 751 10/100K
R10	0,1 MΩ	48 426 10/100K	C8	47000 pF	48 751 10/47K
R11	47000 Ω	48 426 10/47K	C9	0,1 μF	48 751 10/100K
R12	1 MΩ	48 426 10/1M	C10	11-490 pF)	
R13	0,47 MΩ	48 426 10/470K	C11	11-490 pF)	28 211 42.1
R14	0,1 MΩ	48 426 10/100K	C12	11-490 pF)	
R15	0,5 MΩ	28 811 280	C13	12-170 pF	—
R15 ¹⁾	0,5 MΩ	28 810 190	C14	2,5-30 pF	—
R16	39000 Ω	48 426 10/39K	C15	2,5-30 pF	—
R17	1 MΩ	48 426 10/1M	C17	2,5-30 pF	—
R18	125 Ω	28 774 640	C18	2,5-30 pF	—
R22	50000 Ω	28 811 020	C22	12-170 pF	28 811 310
R22 ¹⁾	50000 Ω	28 811 310	C23	12-170 pF	—
R23	100 Ω	48 426 10/100E	C24	12-170 pF	28 211 310
R24	0,1 MΩ	48 426 10/100K	C25	12-170 pF	—
R25	1000 Ω	48 426 10/1K	C28	10 pF	48 406 99/10E
R26	33 Ω	48 425 10/33E	C29	15000 pF	48 751 10/15K
R31	10000 Ω	48 426 10/10K	C30	27000 pF	48 751 10/27K
R32	47 Ω	48 425 10/47E	C31	15 pF	48 406 10/15E
			C32	700 pF	48 429 01/700E
			C33	1490 pF	48 429 01/1K49
			C34	150 pF	48 406 10/100E
			C35	0,1 μF	48 751 10/100K
			C36	6,3 pF	48 406 99/6E3
			C37	10000 pF	48 751 10/10K
			C38	100 pF	48 406 10/100E
			C41	4000 pF	28 199 710
			C42	47000 pF	48 752 10/47K
			C44	0,1 μF	48 751 10/100K
			C45	2 pF	28 205 880
			C46	2,5-30 pF	28 211 830
			C47	22 pF	48 406 10/22E
			C49	800 pF	48 429 10/800E
			C50	6,3 pF	48 406 99/6E3

S1, S2, S3, S4	28 529 540	S14, S15, S16, S17 /	28 570 501
S5	28 546 080	C17, C18	
S6, S13	28 570 481	S18, S19	28 587 090
S7, S8, C14, S9	28 570 541	S20, S21, C23	28 570 522
S10		S22, S23, S24, C25	28 570 720
S11, S12, C15	28 570 491	S26, S27, S30	28 529 790
S13	28 587 080	S28	28 220 200

456 A



R10869