



R.F. Suppressor Modulated Pentode

5C/450A

CATHODE.

Thoriated tungsten filament

Voltage	10	V
Nominal current	12.5	A
Peak emission	7	A

RATING.

Mutual conductance	$\left\{ \begin{array}{l} \text{Measured at} \\ V_a 2.5 \text{ kV } V_{g_2} 0.6 \text{ kV} \\ V_{g_3} 0V V_{g_1} -90V \end{array} \right\}$	4.5	mA/V
Screen grid μ		5	

INTER-ELECTRODE CAPACITIES.

Grid to anode	0.2	pF
Input	45	pF
Output	27	pF

DIMENSIONS.

Maximum overall length	330	mm.
Maximum bulb diameter	108	mm.
Base—Special, see sketch		
Net weight	800	g.

MAXIMUM RATINGS.

Maximum direct anode voltage	3	kV
Maximum direct anode current	0.7	A
Maximum anode dissipation	450	W
Maximum direct screen voltage	850	V
Maximum screen dissipation	100	W
Maximum frequency for above ratings	10	Mc/s.
Maximum anode voltage for frequency for 20 Mc/s.	2.25	kV

NOTE.—It is recommended that the valve be operated in a vertical position. When operated horizontally the plane of the filament should be vertical. Free circulation of air around the bulb is essential. When operated in a confined space circulation of air by means of a fan is recommended.

5C/450A

R.F. Suppressor Modulated Pentode



5C/450A

TYPICAL OPERATING CONDITIONS RADIO FREQUENCY.

Class C Power Amplifier. Suppressor Grid Modulated. (Carrier conditions per valve for use with 100% modulation)

Direct anode voltage	2.5	kV
Grid bias	-165	V
Direct anode current	0.3	A
Screen voltage	530	V
Screen resistor	2500	Ω
Direct screen current	110	mA
Direct suppressor voltage	-90	V
Direct grid current *	19	mA approx.
Carrier output	300	W approx.

Class C Power Amplifier or Oscillator Unmodulated

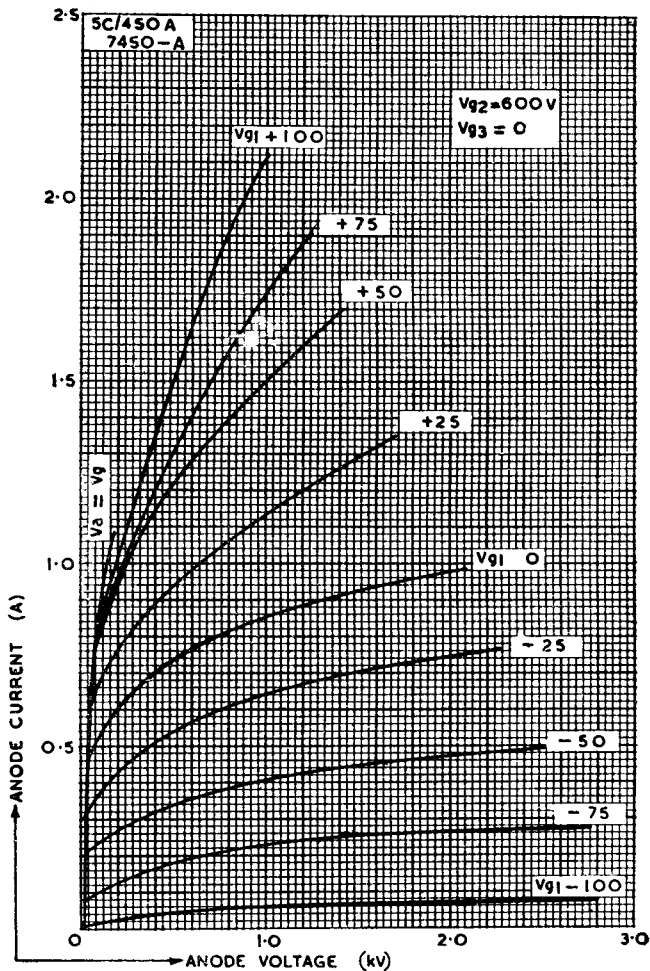
Direct anode voltage	2.5	kV
Grid bias	-165	V
Direct anode current	590	mA
Direct screen voltage	600	mA
Direct screen current	80	mA
Direct suppressor voltage	100	V
Direct grid current	*19	mA approx.
Power output	1	kW approx.

* Subject to wide variation depending upon the impedance of the load circuit.



R.F. Suppressor Modulated Pentode

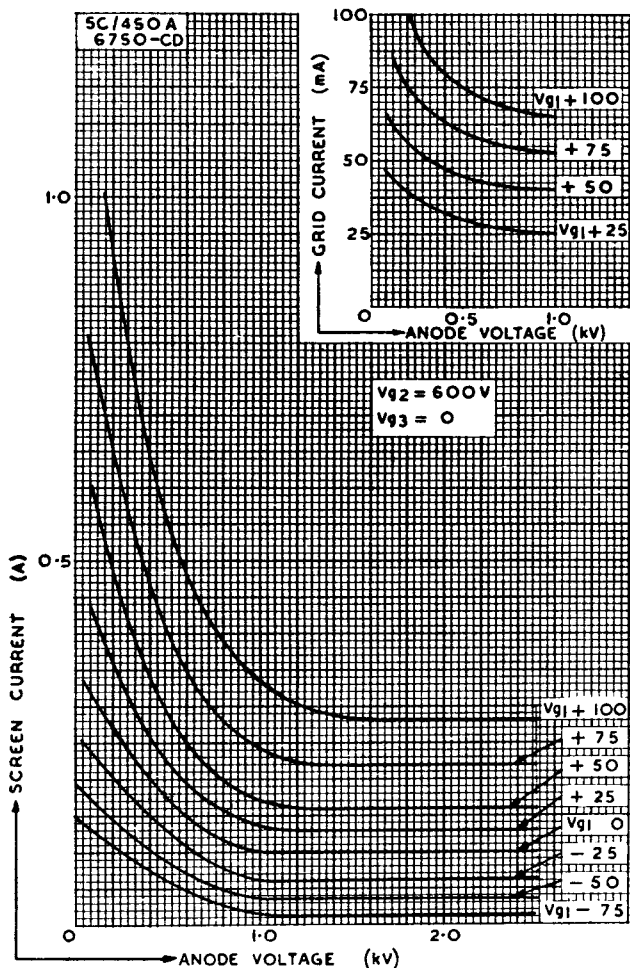
5C/450A



R.F. Suppressor Modulated Pentode



5C/450A

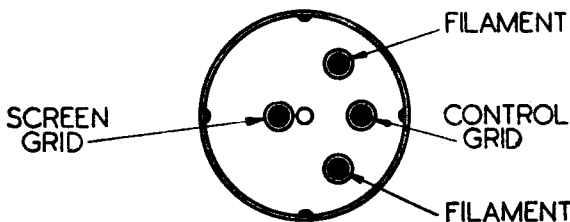
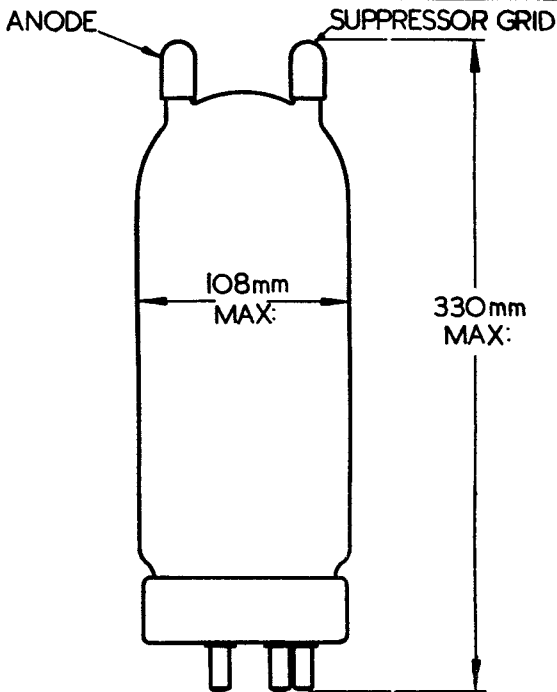


5C/450A



R.F. Suppressor Modulated Pentode

5C/450A



July 1946

5C/450A-5