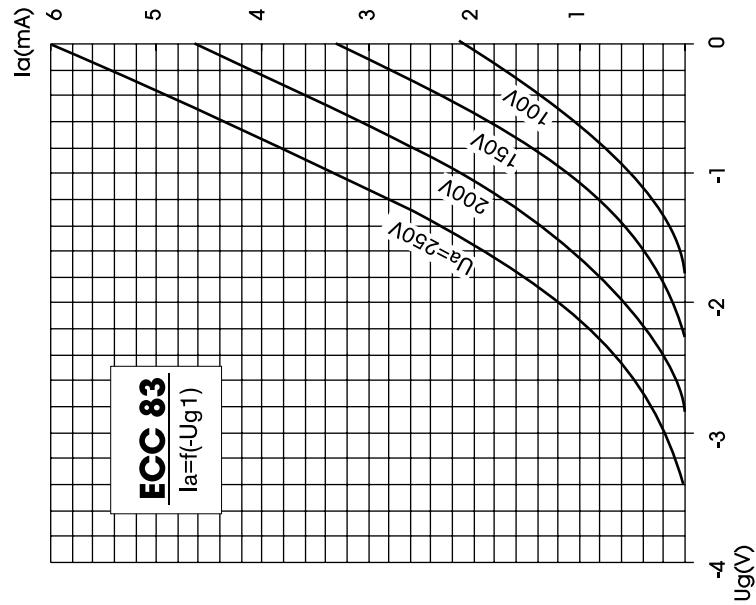
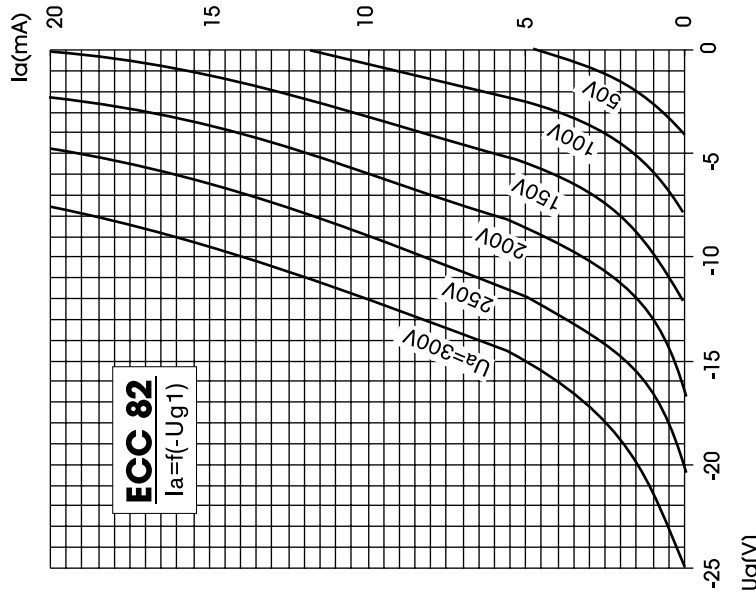




TRANSFER CHARACTERISTICS



TRANSFER CHARACTERISTICS



ECC832

Combinated double triode for special purposes

Base: NOVAL

$U_f = 6,3$ or $12,6$ V
 $I_f = 300$ or 150 mA

Typical characteristic:

	system I. (pin 6,7,8)	system II. (pin 1,2,3)
U_a	= 250 V	250 V
U_g	= -2 V	-8,5 V
I_a	= 1,2 mA	10,5 mA
S	= 1,6 mA/V	2,2 mA/V
R_i	= 62,5 k Ω	7,7 k Ω
μ	= 100	17

Limiting values:

Capacitances:

Please, refer to specs. of ECC 83 (for system I) or ECC 82 (for system II)

Note: ECC 823

Possibility to supply this tube „on request“ of customer with reverse pin order pin # 1, 2, 3 - ECC 83, pin # 6, 7, 8 - ECC 82. There is not international equivalent of this tube. In JJ catalogues is under ECC 823.

Dimension and connections:

