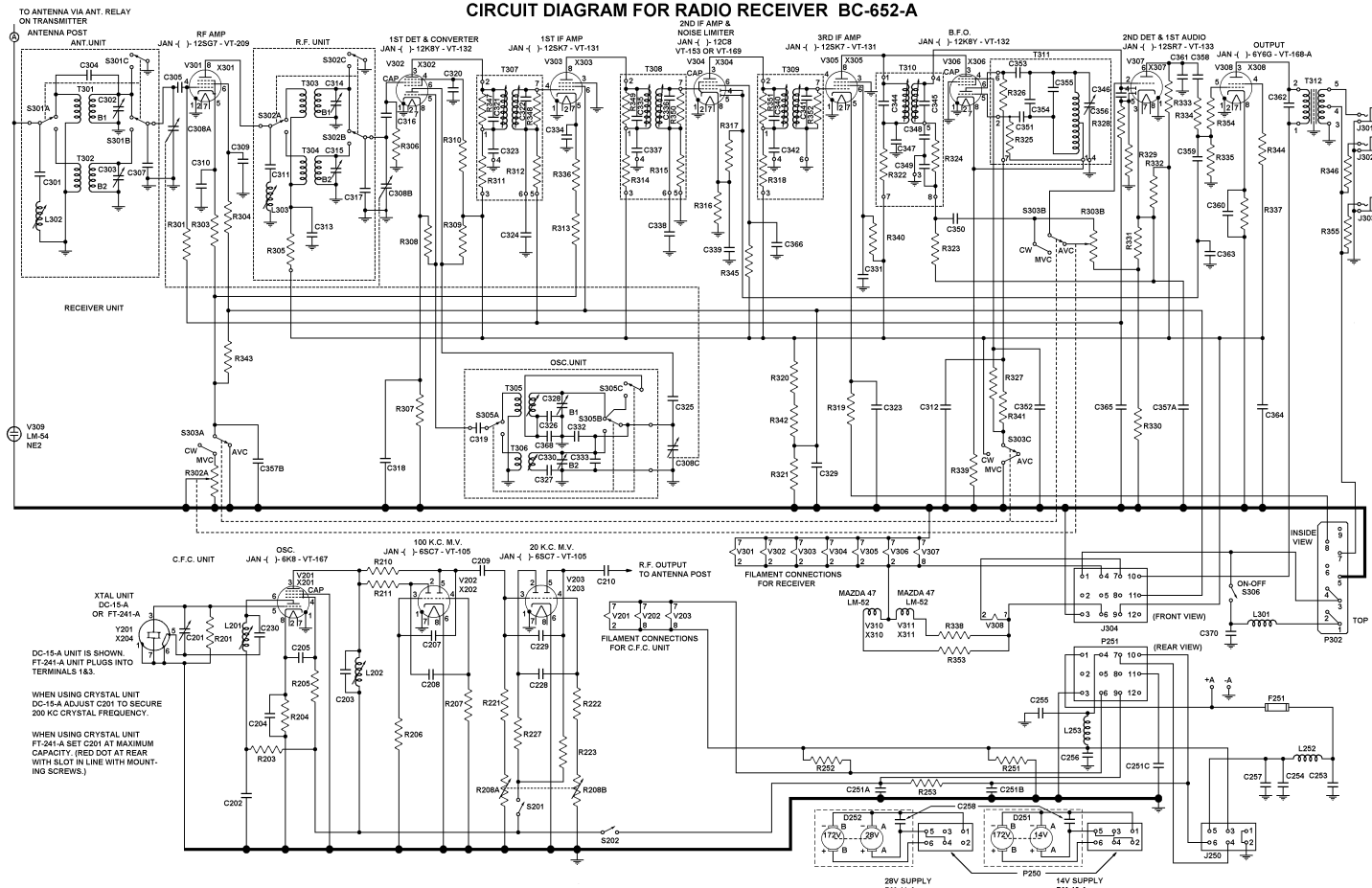


## CIRCUIT DIAGRAM FOR RADIO RECEIVER BC-652-A



SYMBOL	DESCRIPTION	VALUE	TOLERANCE	VOLTS
C201	CAPACITOR AIR TRIMMER	50 MMFD		500 V
C202	CAPACITOR SILVER MICA	500 MMFD	± 10%	300 V
C203	CAPACITOR SILVER MICA	250 MMFD	± 5%	250 V
C204	CAPACITOR MICA	6000 MMFD	± 10%	300 V
C205	CAPACITOR MICA	6000 MMFD	± 10%	300 V
C207	CAPACITOR MICA	100 MMFD	± 10%	500 V
C208	CAPACITOR MICA	100 MMFD	± 10%	500 V
C209	CAPACITOR MICA	10 MMFD	± 10%	500 V
C210	CAPACITOR MICA	5 MMFD	± 10%	500 V
C228	CAPACITOR SILVER MICA	400 MMFD	± 5%	250 V
C229	CAPACITOR SILVER MICA	400 MMFD	± 5%	250 V
C230	CAPACITOR SILVER MICA	225 MMFD	± 5%	250 V
C251 A,B,C	CAPACITOR ELECTROLYTIC	3x18 MFD	+75%-10%	350 V
C253	CAPACITOR MICA	6000 MMFD	± 10%	300 V
C254	CAPACITOR ELECTROLYTIC	25 MFD	+100%-10%	400 V
C255	CAPACITOR MICA	6000 MMFD	± 10%	300 V
C256	CAPACITOR MICA	6000 MMFD	± 10%	300 V
C257	CAPACITOR MICA	6000 MMFD	± 10%	300 V
C258	CAPACITOR MOULDED PAPER	33 MF	+40%-10%	400 V
C301	CAPACITOR MICA	10 MMFD	± 10%	500 V
C302	CAPACITOR AIR TRIMMER	50 MMFD		500 V
C303	CAPACITOR AIR TRIMMER	50 MMFD		500 V
C304	CAPACITOR MICA	5 MMFD	± 10%	500 V
C305	CAPACITOR MICA	400 MMFD	± 10%	500 V
C307	CAPACITOR MICA	45 MMFD	± 10%	500 V
C308 A,B,C	CAPACITOR TUNING GANG	3x238 MMFD APPROX.		
C309	CAPACITOR MICA	6000 MMFD	± 10%	300 V
C310	CAPACITOR MICA	6000 MMFD	± 10%	300 V
C311	CAPACITOR MICA	30 MMFD	± 10%	500 V
C312	CAPACITOR MICA	6000 MMFD	± 10%	300 V
C313	CAPACITOR MICA	6000 MMFD	± 10%	300 V
C314	CAPACITOR AIR TRIMMER	50 MMFD		500 V
C315	CAPACITOR AIR TRIMMER	50 MMFD		500 V
C316	CAPACITOR MICA	6000 MMFD	± 10%	500 V
C317	CAPACITOR MICA	40 MMFD	± 10%	500 V
C318	CAPACITOR MICA	6000 MMFD	± 10%	300 V
C319	CAPACITOR SILVER MICA	50 MMFD	± 5%	250 V
C320	CAPACITOR MICA	6000 MMFD	± 10%	300 V
C321	CAPACITOR SILVER MICA	500 MMFD	± 5%	250 V
C322	CAPACITOR SILVER MICA	500 MMFD	± 5%	250 V
C323	CAPACITOR MICA	6000 MMFD	± 10%	300 V
C324	CAPACITOR MICA	6000 MMFD	± 10%	300 V
C325	CAPACITOR MICA	6000 MMFD	± 10%	500 V
C326	CAPACITOR SILVER MICA	650 MMFD	± 0.5%	250 V
C327	CAPACITOR SILVER MICA	1100 MMFD	± 0.5%	250 V
C328	CAPACITOR AIR TRIMMER	25 MMFD		300 V
C329	CAPACITOR MICA	2000 MMFD	± 10%	300 V
C330	CAPACITOR AIR TRIMMER	25 MMFD		300 V
C331	CAPACITOR MICA	6000 MMFD	± 10%	500 V
C332	CAPACITOR SILVER MICA	500 MMFD	± 5%	250 V
C333	CAPACITOR MICA	6000 MMFD	± 10%	300 V
C334	CAPACITOR MICA	6000 MMFD	± 10%	300 V
C335	CAPACITOR SILVER MICA	500 MMFD	± 5%	250 V
C336	CAPACITOR SILVER MICA	500 MMFD	± 5%	250 V
C337	CAPACITOR MICA	6000 MMFD	± 10%	300 V
C338	CAPACITOR MICA	6000 MMFD	± 10%	300 V
C339	CAPACITOR MICA	6000 MMFD	± 10%	300 V
C340	CAPACITOR SILVER MICA	500 MMFD	± 5%	250 V
C341	CAPACITOR SILVER MICA	500 MMFD	± 5%	250 V
C342	CAPACITOR MICA	6000 MMFD	± 10%	300 V
C343	CAPACITOR MICA	6000 MMFD	± 10%	300 V
C344	CAPACITOR SILVER MICA	225 MMFD	± 5%	250 V
C345	CAPACITOR SILVER MICA	215 MMFD	± 5%	250 V
C346	CAPACITOR SILVER MICA	500 MMFD	± 10%	300 V
C347	CAPACITOR MICA	6000 MMFD	± 10%	300 V
C348	CAPACITOR MICA	300 MMFD	± 10%	500 V
C349	CAPACITOR MICA	300 MMFD	± 10%	500 V
C350	CAPACITOR MICA	6000 MMFD	± 10%	300 V
C351	CAPACITOR MICA	25 MMFD	± 10%	500 V
C352	CAPACITOR MICA	6000 MMFD	± 10%	300 V
C353	CAPACITOR MICA	500 MMFD	± 10%	500 V
C354	CAPACITOR CERAMIC	20 MMFD	± 5%	500 V
C355	CAPACITOR SILVER MICA	345 MMFD	± 0.5%	250 V
C356	CAPACITOR AIR TRIMMER	50 MMFD		500 V
C357 A,B	CAPACITOR ELECTROLYTIC	2x12 MFD	+100%-10%	50 V
C358	CAPACITOR MICA	6000 MMFD	± 10%	300 V
C359	CAPACITOR MICA	6000 MMFD	± 10%	300 V
C360	CAPACITOR ELECTROLYTIC	50 MMFD	+100%-10%	25 V
C361	CAPACITOR MICA	500 MMFD	± 10%	500 V
C362	CAPACITOR MICA	0.51 MFD	± 10%	600 V
C363	CAPACITOR MICA	200 MMFD	± 10%	500 V
C364	CAPACITOR PAPER	0.25 MFD	± 10%	500 V
C365	CAPACITOR MICA	6000 MMFD	± 10%	300 V
C366	CAPACITOR MICA	6000 MMFD	± 10%	300 V
C367	CAPACITOR MICA	6000 MMFD	± 10%	300 V
C368	CAPACITOR CERAMIC	30 MMFD	± 5%	500 V
C369	CAPACITOR MICA	8000 MMFD	± 10%	300 V
C370	CAPACITOR MICA	6000 MMFD	± 10%	300 V

Polished by Frank Pilipise  
www.tubedata.info  
2014-04-28 rev.D