

PHILIPS

Data handbook



Electronic
components
and materials

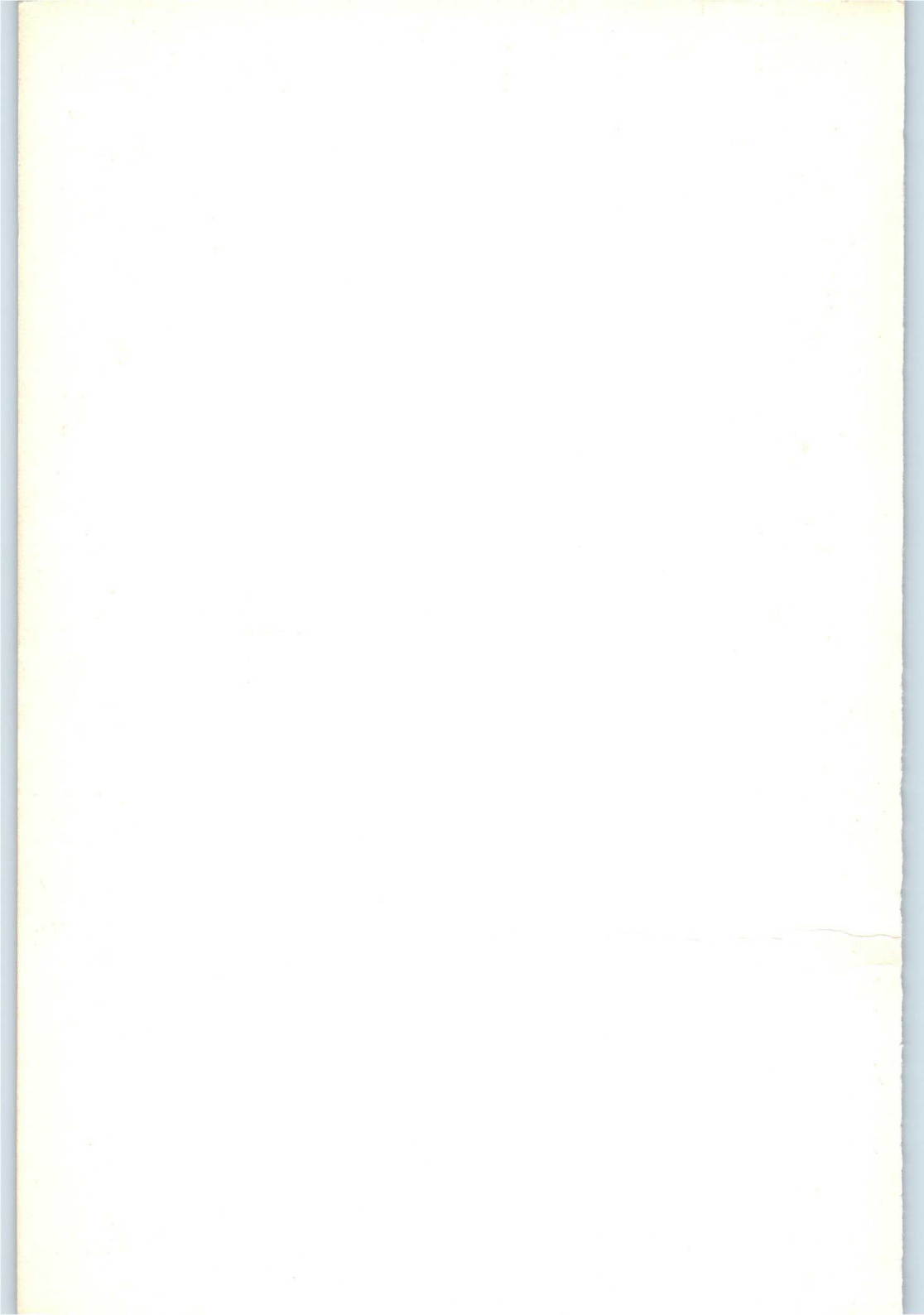
Electron tubes

Part 1b January 1976

Transmitting tubes for communication

Tubes for r.f. heating

Amplifier circuit assemblies



ELECTRON TUBES

Part 1 b

January 1976

General section

Transmitting tubes for communication
Tubes for r.f. heating

Amplifier circuit assemblies

Associated accessories

Index



DATA HANDBOOK SYSTEM

Our Data Handbook System is a comprehensive source of information on electronic components, subassemblies and materials; it is made up of three series of handbooks each comprising several parts.

ELECTRON TUBES	BLUE
SEMICONDUCTORS AND INTEGRATED CIRCUITS	RED
COMPONENTS AND MATERIALS	GREEN

The several parts contain all pertinent data available at the time of publication, and each is revised and reissued periodically.

Where ratings or specifications differ from those published in the preceding edition they are pointed out by arrows. Where application information is given it is advisory and does not form part of the product specification.

If you need confirmation that the published data about any of our products are the latest available, please contact our representative. He is at your service and will be glad to answer your inquiries.

This information is furnished for guidance, and with no guarantee as to its accuracy or completeness; its publication conveys no licence under any patent or other right, nor does the publisher assume liability for any consequence of its use; specifications and availability of goods mentioned in it are subject to change without notice; it is not to be reproduced in any way, in whole or in part without the written consent of the publisher.

ELECTRON TUBES (BLUE SERIES)

This series consists of the following parts, issued on the dates indicated.

Part 1a	Transmitting tubes for communications and Tubes for r.f. heating	December 1975
	Types PE05/25 ÷ TBW15/125	
Part 1b	Transmitting tubes for communication Tubes for r.f. heating Amplifier circuit assemblies	January 1976
Part 2	Microwave products	October 1974
	Communication magnetrons	Diodes
	Magnetrons for microwave heating	Triodes
	Klystrons	T-R Switches
	Travelling-wave tubes	Microwave Semiconductor devices Isolators Circulators
Part 3	Special Quality tubes; Miscellaneous devices	January 1975
Part 4	Receiving tubes	March 1975
Part 5a	Cathode-ray tubes	April 1975
Part 5b	Camera tubes; Image intensifier tubes	May 1975
Part 6	Products for nuclear technology Photodiodes	July 1975
		Neutron tubes
	Channel electron multipliers	
	Geiger-Mueller tubes	
	N.B. Photomultiplier tubes and Photo diodes will be issued in Part 9	
Part 7	Gas-filled tubes	August 1975
	Voltage stabilizing and reference tube	Thyratrons
	Counter, selector, and indicator tubes	Ignitrons
	Trigger tubes	Industrial rectifying tubes
	Switching diodes	High-voltage rectifying tubes
Part 8	TV Picture tubes	October 1975

SEMICONDUCTORS AND INTEGRATED CIRCUITS (RED SERIES)

This series consists of the following parts, issued on the dates indicated.

Part 1a	Rectifier diodes and thyristors		June 1974
	Rectifier diodes	Thyristors, diacs, triacs	
	Voltage regulator diodes (> 1, 5 W)	Rectifier stacks	
	Transient suppressor diodes		
Part 1b	Diodes		October 1975
	Small signal germanium diodes	Voltage regulator diodes (< 1, 5 W)	
	Small signal silicon diodes	Voltage reference diodes	
	Special diodes	Tuner diodes	
Part 2	Low frequency transistors		December 1975
Part 3	High frequency and switching transistors		October 1974
Part 4a	Special semiconductors		November 1974
	Transmitting transistors	Dual transistors	
	Microwave devices	Microminiature devices for	
	Field-effect transistors	thick- and thin-film circuits	
Part 4b	Devices for optoelectronics		December 1974
	Photosensitive diodes and transistors	Infrared sensitive devices	
	Light emitting diodes	Photoconductive devices	
	Photocouplers		
Part 5	Linear integrated circuits		March 1975
Part 6	Digital integrated circuits		April 1974
	DTL (FC family)	MOS (FD family)	
	CML (GX family)	MOS (FE family)	

COMPONENTS AND MATERIALS (GREEN SERIES)

These series consists of the following parts, issued on the dates indicated.

Part 1 Functional units, Input/output devices,

Peripheral devices

November 1975

High noise immunity logic FZ/30-Series	Circuit blocks 90-Series
Circuit blocks 40-Series and CSA70	Input/output devices
Counter modules 50-Series	Hybrid integrated circuits
Norbits 60-Series, 61-Series	Peripheral devices

Part 2a Resistors

September 1974

Fixed resistors	Negative temperature coefficient thermistors (NTC)
Variable resistors	Positive temperature coefficient thermistors (PTC)
Voltage dependent resistors (VDR)	Test switches
Light dependent resistors (LDR)	

Part 2b Capacitors

November 1974

Electrolytic and solid capacitors	Ceramic capacitors
Paper capacitors and film capacitors	Variable capacitors

Part 3 Radio, Audio, Television

February 1975

FM tuners	Components for black and white television
Loudspeakers	Components for colour television
Television tuners, aerial input assemblies	

Part 4a Soft ferrites

April 1975

Ferrites for radio, audio and television	Ferroxcube potcores and square cores
Beads and chokes	Ferroxcube transformer cores

Part 4b Piezoelectric ceramics, Permanent magnet materials

May 1975

Part 5 Ferrite core memory products

July 1975

Ferroxcube memory cores	Core memory systems
Matrix planes and stacks	

Part 6 Electric motors and accessories

September 1975

Small synchronous motors	Miniature direct current motors
Stepper motors	

Part 7 Circuit blocks

September 1971

Circuit blocks 100 kHz-Series	Circuit blocks for ferrite core memory drive
Circuit blocks 1-Series	
Circuit blocks 10-Series	

Part 8 Variable mains transformers

July 1975

Part 10 Connectors

November 1975

November 1975

General section



TRANSMITTING TUBES FOR COMMUNICATION

TUBES FOR R.F. HEATING

LIST OF SYMBOLS

1. Symbols denoting electrodes and electrode connections

Anode	a
Beam plates	bp
Filament or heater	f
Filament or heater tap or starpoint of three star-connected filaments	f _c
Filament (and cathode) R.F. connection	f(k) ←
Grid	g
Tube pin which must not be connected externally	i. c.
Cathode	k
External conductive coating	m
Internal shield	s

Remarks

- a. Similar electrodes of the same electrode system are distinguished by means of an additional numeral; the electrode nearest to the cathode has the smallest number. Example: with pentodes: g₁, g₂, g₃.
- b. Equivalent electrodes of a multi-unit tube are distinguished by means of an apostrophe; e.g. the anodes of a double tetrode are indicated by a and a'.

2. Symbols denoting voltages

Remarks

- a. In the case of indirectly heated tubes the voltages on the various electrodes are with respect to the cathode; in case of d.c. fed, directly heated tubes with respect to the negative side of the filament, and in case of a.c. fed, directly heated tubes with respect to the electrical centre of the filament, unless otherwise stated.
- b. The symbols quoted below represent the average, or mean, values of the concerning voltages, unless otherwise stated.

Anode voltage	V _a
Anode a. c. voltage	V _{a~}
Anode voltage in cut-off or cold condition	V _{a₀}
Supply voltage of tube electrodes	V _b

2. Symbols denoting voltages (continued)

Filament or heater voltage	V_f
Grid voltage	V_g
Grid a.c. voltage	$V_{g\sim}$
A.C. input voltage	V_i
Voltage between cathode and heater	V_{kf}
Peak value of a voltage	V_p
RMS value of a voltage	V_{RMS}, V_{rms}
Secondary transformer voltage	V_{tr}

3. Symbols denoting currents

Remarks

a. The direction of positive electrical current flow is opposite to that of electron flow.

b. The symbols quoted below represent the average values of the currents concerned, unless otherwise stated.

Anode current	I_a
Filament or heater current	I_f
Grid current	I_g
Cathode current	I_k
Peak value of a current	I_p
RMS value of a current	I_{RMS}, I_{rms}
Saturation current	I_{sat}

4. Symbols denoting powers

Anode dissipation	W_a
Driver output power, Driving power	W_{dr}
Grid dissipation	W_g
Anode d.c. supply power	W_{ia}
Input power	W_i
Output power in the load	W_l
Modulation power	W_{mod}
Tube output power	W_o
Peak envelope output power	W_{oPEP}
Oscillator output power	W_{osc}

5. Symbols denoting capacitances

In general the published capacitance values refer to the cold tube

Capacitance between the anode and all other elements except the control grid	C_a
Capacitance between anode and filament (all other elements being earthed)	C_{af}
Capacitance between anode and grid (all other elements being earthed)	C_{ag}
Capacitance between anode and cathode (all other elements not connected to the cathode being earthed)	C_{ak}
Capacitance between grid and filament (all other elements being earthed)	C_{gf}
Capacitance between control grid and all other elements except anode	C_g
Capacitance between two grids (all other elements being earthed)	C_{g1g2}
Capacitance between grid and cathode (all other elements not connected to the cathode being earthed)	C_{gk}
Input capacitance of a push-pull circuit	C_i
Capacitance between cathode and all other elements	C_k
Output capacitance of a push-pull circuit	C_o

6. Symbols denoting resistances

External a. c. resistance in an anode lead or matching resistance	$R_{a\sim}$
Matching resistance of a push-pull amplifier (anode to anode)	$R_{aa\sim}$
Filament or heater resistance	R_f
Filament or heater resistance in cold condition	R_{f0}
External resistor in a grid lead	R_g
External resistor in a cathode lead	R_k

7. Symbols denoting various quantities

Bandwidth	B
Harmonic distortion factor	d
n-th harmonic distortion	d_n
Total harmonic distortion	d_{tot}

7Z2 4156

7. Symbols denoting various quantities (continued)

Intermodulation distortion	d_i
n-th order intermodulation distortion	d_{in}
Frequency	f
Pulse repetition rate	f_{imp}
Height above sea level, altitude	h
Modulation factor	m
Pressure drop of cooling air or cooling water	p_i
Rate of flow of cooling air or cooling water	q
Thermal resistance	R_{th}
Transconductance	S
Temperature of anode block	t_a
Ambient temperature	t_{amb}
Bulb temperature	t_{bulb}
Envelope temperature	t_{env}
Cathode heating time	T_h
Waiting time (time which has to pass between switching on of the filament or heater voltage and switching on of the other voltages)	T_w
Inlet temperature of cooling air or cooling water	t_i
Outlet temperature of cooling air or cooling water	t_o
Pulse duration	T_{imp}
Seal temperature	t_s
Duty factor	δ
Efficiency	η
Wavelength	λ
Amplification factor	μ
Amplification factor of grid no. 2 with respect to grid no. 1	μ_{g2g1}

GENERAL OPERATIONAL RECOMMENDATIONS TRANSMITTING TUBES FOR COMMUNICATION TUBES FOR R.F. HEATING

1. GENERAL

1.1 In this Handbook data and curves are given for transmitting tubes and tubes for R.F. heating.

1.2 The tubes are classified into groups:

Preferred types - Recommended for new equipment design.

Current types - Available for equipment production and maintenance.
No longer recommended for new equipment design.

Maintenance types - Available for equipment maintenance.
No longer recommended for equipment production.

Obsolescent types - Available until present stocks are exhausted.

Obsolete types - No longer available.

For the status of each type please refer to the "Catalogue Transmitting tubes" or consult your tube supplier.

Full details are given of Preferred types and Current types, Data on maintenance and obsolescent types is generally given in condensed form.

2. CHARACTERISTIC DATA

2.1 The characteristic data given in the data sheets is general and independent of specific application. This data (e.g. filament/heater current, amplification factor, trans-conductance, capacitances etc.) is applicable to a typical tube and deviations from the stated value are likely to occur in practice.

2.2 Filament/heater supply.

The published value of filament/heater voltage is generally that which should be present directly at the tube terminals. Filaments fed with direct current should have their supply polarity reversed at regular intervals (say monthly), to ensure uniform wear of the filament with consequent longer life.

Reduction of filament/heater voltage is sometimes recommended to compensate e.g. the heating by back-bombardment at high frequencies; see the relevant data sheets. Special precautions must be taken when operating the filaments/heaters of transmitting tubes in series and the manufacturer should be consulted before doing so.

2.2.1 Pure tungsten cathodes (filaments)

The published value of filament voltage is the maximum voltage required for a new tube to supply the rated output power. A lower voltage (giving longer life) will often suffice and every tube with a pure tungsten cathode is supplied together with a list stating the saturation current at various filament voltages. Thus, knowing the required emission current, the most suitable filament voltage can be selected.

Alternatively the filament voltage can be adjusted until the required output power, or maximum distortion, is reached

and, (to obtain peak output power) further adjusted after modulation is applied. Regular adjustment (say monthly) will be necessary to maintain the required conditions and, towards the end of tube life, the filament voltage may be raised above the nominal.

To compensate for mains supply fluctuations, automatic or manual control of the filament voltage should be exercised, especially when operating at nominal, or higher than nominal, filament voltage.

2.2.2 Thoriated tungsten cathodes (filaments)

The maximum working life from these cathodes is obtained when the filament voltage is held within 1% of the nominal. Underheating and overheating may be harmful so temporary deviations from the nominal voltage must not exceed $\pm 5\%$, unless otherwise specified.

2.2.3 Quick heating cathodes (filaments)

In general, tubes with quick heating cathodes should have their filaments in parallel only. When a sinusoidal voltage is used for heating the filament, the frequency must not be in the range 200 Hz to 5000 Hz.

When a non-sinusoidal voltage from a d.c. -a.c. converter is used the r.m.s. value should be adjusted to the published value of filament voltage.

If required the heating time can be further reduced by applying a higher value for a short time. The manufacturer should be consulted before doing so.

2.2.4 Indirectly heated oxide coated cathodes

For maximum life the heater voltage should be as near as possible to the nominal value and the maximum permissible deviation must not exceed 10%, unless otherwise specified.

R.F. voltages between heater and cathode may induce faulty r.f. insulation with resultant r.f. power losses. To overcome these losses an increase in the driving power would be required resulting in an increase of cathode temperature with a consequent reduction of tube life. Such r.f. voltages should therefore be avoided e.g. by using one of the following techniques:

- by-passing the heater to cathode insulation and decoupling the heater at v.h.f. and u.h.f.
- r.f. blocking with series chokes in heater supply leads and decoupling with capacitors.

2.2.5 Switching on the filament voltage

Unless a maximum switch-on value of filament current is stated in the data sheet, switching on at full filament voltage is permissible. The published values of the maximum permissible filament current during switch on, refer to the absolute maximum of the instantaneous value under worst case conditions. With a.c. feed this will exist when switching on at the instantaneous peak voltage of the highest mains voltage that may occur. In practice the filament current during switching on can be limited by means of a filament transformer with high magnetic leakage or a series choke or resistor in the primary of the

transformer. If necessary this choke or resistor may be short circuited by means of a relay after a delay of, say, 15 seconds.

2.2.6 By-passing the filament

Tubes with directly heated cathodes must have the filament terminals at the same r.f. potential. For this purpose it is usual to connect a capacitor, that has low reactance with respect to the operating frequency, near to and between the filament terminals. As an added safety precaution it should be established that the resonance of this capacitor together with the inductance of the filament structure falls well below the operating frequency.

2.3 Switching on of the electrode voltages

Unless prescribed otherwise simultaneous switching on of filament, anode, control-grid, and screen-grid voltages is permissible for tubes with an internal anode. Tubes with an external anode should in general not have their positive voltages applied until the cathode has reached its operating temperature. This can be checked by monitoring the filament current.

2.4 Effective cathode

If both filament limbs are marked "f" in the data sheets, the filament may be regarded as being symmetrical in its function as cathode. If such a filament is fed with d.c. the anode return lead should be connected to the negative end of the filament. All other decoupling and circuit returns must then also be connected to this point.

If the filament is fed with a.c. the anode return lead should be connected to the centre-tap of the filament transformer or to a tapped resistor shunted across the filament. The filament decoupling will then be symmetrical with regard to this point and all other circuit returns must also be made to this point.

If one filament limb is marked "f" and the other "f(k)", only the one marked "f(k)" may be used as the circuit cathode. If such a filament is fed with d.c., the negative side of the filament supply should be connected to this point.

For either d.c. or a.c. filament supply, the anode supply as well as de-coupling and other circuit returns must be connected to "f(k)" only.

2.5 Inter-electrode capacitances

The published values of capacitances are average values measured on the cold tube with no operating voltages; individual deviations may however occur. The definitions of the capacitance symbols are given in the appropriate list in I.E.C. Publication 100.

2.6 Amplification factor μ and transconductance S

The published values are average values and individual deviations may occur. Normally the conditions at which the values have been measured, are stated.

2.7 Saturation current I_{sat}

Each large tube with a pure tungsten cathode is marked with the value of filament voltage at which the saturation current has the value specified in the data sheet.

2.8 Accessories

Proper functioning of the tubes can be guaranteed only if accessories (sockets, cooling devices etc.) have been supplied, or approved, by the tube manufacturer.

3. **LIMITING VALUES**

3.1 Limiting values mean the maximum, or minimum, permissible values of the parameters listed. These limits are given either for all operating conditions together, or for a particular application.

3.2 The limiting values are applicable up to the maximum frequency stated. When operating at higher frequencies the limiting values must be decreased in accordance with the published data or curves.

3.3 Derating the limiting values

If no limiting values have been published for a specific application the derating factors listed in the following table must be applied. The values for class C telegraphy have been expressed as unity; the limiting values for other applications have been expressed as a factor of this unity.

A rectified 3-phase supply with or without filtering is equivalent to a d.c. supply.

The derating factors are determined by the physical limits of the tube and contain no safety margins. Where mains voltage fluctuations occur further derating must be applied (see section 3.5). The nature of operation, e.g. the industrial application of heating generators may necessitate further safety derating (see section 5.4).

Wo = tungsten filament

Th = thoriated tungsten filament

		V _a	I _a	I _g	W _{ia}	W _a	W _{g2}
R.F. class C telegraphy		1	1	1	1	1	1
Anode mod.	Th	0.8	0.833	1	0.67	0.67	0.67
	Wo	0.8	0.5	1	0.4	0.4	0.4
R.F. class B	Th	1	0.833	1	0.833 ¹⁾	1	0.67
	Wo	1	0.5	1	0.5	1	0.5
A.F. class B		1	1	1	1	1	1
A.F. class AB		1	1	1	1	1	1
A.F. class A		1	1		W _a	1	1
Self-rectifying oscillator	Th	1.13	0.53	0.53	0.665	1	
	Wo	1.13	0.32	0.32	0.4	1	
Two-phase half-wave without filter	Th	0.9	0.89	0.89	1	1	
	Wo	0.9	0.6	0.6	1	1	

¹⁾ or 1.5 W_a.

3.4 Rating system

The limiting values should be used in accordance with the "Absolute maximum rating system" as defined by I.E.C. Publication 134.

3.5 Absolute maximum rating system

Absolute maximum ratings are limiting values of operating and environmental conditions applicable to any electronic device of a specified type as defined by its published data, and should not be exceeded under the worst probable conditions.

These values are chosen by the device manufacturer to provide acceptable serviceability of the device, taking no responsibility for equipment variations, environmental variations, and the effects of changes in operating conditions due to variations in the characteristics of the device under consideration and of all other electronic devices in the equipment.

The equipment manufacturer should design so that, initially and throughout life, no absolute maximum value for the intended service is exceeded with any device under the worst probable operating conditions with respect to supply voltage variation, equipment components variation, equipment control adjustment, load variations, signal variation, environmental conditions, and variations in characteristics of the device under consideration and of all other electronic devices in the equipment.

- 3.6 Each limiting value should be regarded independently of other values; under no circumstances is any limiting value to be exceeded (e.g. if the anode voltage is decreased to a value lower than its limiting value, it is not permissible to exceed the limiting value of anode current or anode dissipation). Unless otherwise stated, the limiting values for currents and voltages are measured with a moving coil instrument.

3.7 Electrode voltages

The voltages (V_a , V_{g1} , V_{g2} etc.) listed under limiting values should not be exceeded even with a cold tube. Special attention should be paid to this point when a screen-grid is supplied via a series resistor.

When designing equipment to be supplied from non-stabilized mains, the maximum mains voltage occurring determines the nominal operating voltages of the tube. These nominal voltages must be lower than the limiting values. Should the transmitting tubes, and thus the voltage supply, be temporarily under a lower load their voltages will increase and these increased values, occurring at the highest mains voltage, determine the nominal operating voltages.

The limiting values of voltage are d.c. values. If an a.c. or an unsmoothed d.c. supply is used, the limiting values must be decreased in accordance with the derating factors shown in the table (section 3.3).

3.8 Anode dissipation

The limiting value of the anode dissipation W_a should not be exceeded when mains voltage fluctuations occur, or when grid drive fails. To prevent damage to the tube, in the latter case, adequate fixed bias or a quick action relay in the anode lead should be provided. When forced-air or water-cooling is sufficient only for an anode dissipation smaller than the absolute maximum, the smaller value must be regarded as the limiting value.

3.9 Anode input power

Usually the data sheets show the limiting value of input power W_{i_a} to be smaller than the product of limiting values of anode voltage and anode current; the latter two limits should not therefore occur simultaneously.

In practice the input power W_{i_a} is not always the product of the d.c. values of I_a and V_a . For pulsating supply voltages the form factor should be taken into account.

- 3.10 For the screen-grid dissipation the product of screen-grid voltage and current can always be taken.

The screen-grid should be protected against failure of anode voltage.

3.11 Control-grid dissipation

The control-grid dissipation W_g or W_{g1} can be approximated, by taking the power supplied to the grid bias source ($-V_g \times I_g$) from the grid driving power (approx. $0.95 \times V_{gD} \times I_g$). When an a.c., or unsmoothed d.c., voltage supply is used the form factor should be taken into account.

3.12 Grid resistance

By the maximum permissible grid resistance R_g is meant the d.c. resistance in the grid circuit. A higher value may cause instability.

4. OPERATING CONDITIONS

4.1 General

In the published data, operating conditions for various applications have been given, stating the maximum frequency at which the conditions apply. If it is required to operate a tube at higher frequencies the manufacturer should be consulted. The published values of operating conditions are average values derived from measurements made on nominal tubes working under optimum conditions. Thus, small deviations from the published value can occur if measurements are made on a particular tube. However some of the measured values of voltage or current must be adjusted to give the published figure. As an example, the published value of output power is an average value which can be reached in practice by adjusting e.g. the r.f. or a.f. input voltage V_{gp} , when the published value of output power is not obtained at the nominal value of V_{gp} . When designing a multi-stage transmitter it is good practice to leave a margin in the output power and input voltage to allow for adjustments similar to that just described. The published output power W_o of transmitting tubes is the tube output, which means the anode dissipation W_a taken from the anode input W_{ia} . When a tube is used in a common grid circuit (grounded grid circuit), the published value of the output power includes the power transferred from the input.

Unless otherwise stated losses in the anode circuit and coupling losses are not taken into account.

The quoted grid input power is assumed to be $0.9 \times$ the product of the average grid current I_g and the peak value of the grid voltage V_{gp} . Losses in the grid circuit and the bleeder are sometimes accounted for by stating the required driver output power.

At high frequencies where reduced ratings have to be applied, the required driving power will often be considerably higher than the grid input power, and in some cases, may be determined almost exclusively by circuit losses.

4.2 R.F. class C telegraphy and F.M. telephony

A class C amplifier or oscillator is one in which the grid bias is appreciably greater than the cut-off voltage so that current flows for less than one half of each cycle of the alternating grid voltage. Working to the values published in the data sheets will ensure good output power and efficiency.

If a grid resistor is used for obtaining automatic bias, care must be taken that the anode current does not become too high if the r.f. driving power should fail. A safety device in the anode or screen-grid lead should be incorporated for this purpose.

4.3 R.F. class C anode and screen-grid modulation

In an r.f. class C anode modulated stage the anode voltage is modulated with a.f., and at 100% modulation the voltage is varied from zero to twice the d.c. value. With tetrodes or pentodes the screen-grid should also be modulated to prevent it being overloaded. The average values of the grid bias and r.f. driving voltage remain constant during modulation. With 100% modulation the average anode dissipation is 1.5 times the value without modulation and this is taken into account although the published limiting value of anode dissipation refers to the unmodulated power. Automatic grid bias by means of a grid leak can be used, but, to obtain minimum distortion, some fixed bias is recommended.

The modulation power published is the power required by the modulated r.f. stage. When the modulating stage is being calculated 5% to 10% must be added to allow for losses in transformer and choke.

4.4 R.F. class B telephony

A class B amplifier is one in which the grid is biased to the cut-off voltage so that the anode current flows for approximately one half of each cycle of the alternating grid voltage. The published data for r.f. class B telephony has been determined, by trial and error, to give a straight modulation characteristic.

4.5 R.F. class AB SSB amplifier

The given operating conditions are from measurements made in a circuit without feedback and with constant screen-grid voltage. They show the best compromise between output power and linearity. Linearity is measured with a double tone test signal in which the two tones have equal amplitude and lie 1000 Hz apart in frequency. The amplitudes of the distortion products d_3 and d_5 are in dB referred to the amplitude of either of the two equal tones. The published values of d_3 and d_5 are the worst encountered at any driving level and occur usually slightly below full output power. Distortion products of orders other than d_3 and d_5 are, in general, negligible. If the amplitudes of the distortion products are referred to the peak envelope amplitude, the figures for d_3 and d_5 go down 6 dB.

4.6 A.F. class B amplifier

With this amplifier the anode dissipation is dependent on the input signal voltage so that maximum anode dissipation is obtained when the signal is about 60% of the value at full drive. When this is not present continuously, as is the case with broadcast and telephony services, it is permissible for the limiting value of anode dissipation to be exceeded by 10%.

To suppress even harmonics, separate controllable grid bias for each tube, or a balancing circuit, should be incorporated. This data is purely arbitrary, i.e. the same output can be obtained with less modulation of the anode current (with smaller load resistance and lower peak grid current) although the efficiency would be lower. The requirements of the complete a.f. amplifier determines which kind of operation is preferred.

4.7 Industrial operating conditions

Section 5.4 gives some general information on the application of power tubes in industrial apparatus. With a single phase mains connection a hum filter will sometimes be omitted as is normal in three phase mains connection. Operating conditions and derating factors are given for this kind of operation (section 3.3). It must be ensured that no limiting values are exceeded because of fluctuations in the mains supply or by tolerances in other components. The published value of W_0 is the actual tube output power. The output power of a self-oscillating circuit W_{osc} is obtained by deducting the grid dissipation W_g and the losses in the grid resistor W_{Rg} from the output power W_0 . The power in the load W_l is obtained by deducting the losses in the output circuit from W_{osc} . A favourable load output characteristic may be obtained by automatically controlling the grid voltage and current, depending on the matching. A non-linear device e.g. a tungsten lamp or an P.T.C. resistor may perform this function

adequately and help to prevent overloading the grid.

With self oscillating circuits the frequency must be held within the available frequency band. This may be done by having large circuit capacitance, small stable self inductance, undercritical inductive coupling with the output circuit, electrostatic screening between oscillator and output circuit etc.

If the frequency of an industrial oscillator has to be limited to a narrow frequency band, crystal controlled driving stages may be used, then however, it is rather difficult to obtain matching between the tube input and output. A greater safety margin in the tube will be necessary with the output still depending on the load, or special measures, such as automatic tuning and/or matching control, will have to be taken.

For smaller tubes in industrial applications operating conditions have been given for when power is supplied from a single phase full-wave rectifier, a three phase half-wave rectifier (which is nearly equivalent to d.c.) and with raw a.c. In the latter case the output is about 0.6 times that obtained with d.c. and the peak inverse voltage is equal to the full anode voltage (this is of special importance as the grid voltage is in anti-phase to the anode voltage). With a single-phase, half-wave rectified anode voltage the useful output is nearly equal to that with a d.c. supply. To obtain the most favourable mains loading when using a self rectifying oscillator, a quasi push-pull circuit can be used, in which two tubes function alternately on each half wave. The best mains loading for three-phase, self rectification is obtained by using 6 tubes in a triple push-pull circuit.

4.8 Intermittent service

When data concerning intermittent service is published it is conditional that, although the cathode may be heated continuously, the on-period is no more than 5 minutes and that the off-period is equally long or longer.

5. APPLICATION OF THE OPERATING CONDITIONS

5.1 General

It is not always possible to operate the tube under the specified operating conditions. In some applications deviations from the published values are likely to occur causing the limiting values to be exceeded. Depending on the kind of service the following classification can be made:

- Fixed transmitters for broadcasting and telecommunication service, operated by a trained staff. (5.2)
- Mobile transmitters. (5.3)
- Equipment for industrial applications (r.f. heating, supersonics etc.) (5.4)
- Amateur transmitters and special applications. (5.5)
- Pulse operated equipment. (5.6)

5.2 Fixed transmitters

With fixed transmitters it is usually possible to use the tubes under ideal working conditions viz.

- only very small mains voltage deviations as the supply is derived from a special high tension line.
 - stabilized mains voltage supply.
 - a fairly constant and optimum transmitter load.
 - the presence of safety devices which prevent tube damage under any circumstances.
 - the presence of a well trained staff for the immediate repair of faults.
- and thus it is permissible to operate near the limiting values.

5.3 Mobile transmitters

Mobile transmitters are transmitters which can be operated whilst mobile; they often have to function with widely varying supply voltages and with loads that are neither constant nor optimum. Safety devices are usually poor, especially in small transmitters, so the use of the tube at the published maximum operating conditions is not recommended. The actual operating conditions chosen will depend upon specific circumstances. Because the electrode system in the smaller quick heating or oxide coated transmitting tubes is rugged and can withstand the vibration and occasional shocks experienced in normally used road vehicles the tubes are ideal for mobile transmitters.

However in aircraft and vehicles used over rough ground it is advisable to shockmount the tubes. The oxide coated cathode is fairly insensitive to heater voltage variation and the high specific emission allows lower anode voltages to be used. Generally, when used in any apparatus that is likely to be subjected to shocks or vibration, tubes with thoriated tungsten cathodes require shock damping. If a special device is used to clamp a tube into its socket it must be ensured that the maximum permissible temperature is not exceeded in any part of the envelope.

5.4 Industrial application, r.f. heating, supersonics etc.

For the following reasons, in industrial equipment the tube seldom operates under ideal conditions.

- Large, uncompensated mains voltage fluctuations.
- Voltage supply with no provision against hum.
- Variable load.
- Relative large tolerances on the stability of the operating frequency.
- Intermittent service.
- Service personnel often untrained in the servicing of the electronic power equipment.

Thus the design of industrial equipment differs from that of fixed transmitters and generally demands the use of self oscillating triodes. The most reliable operation of the tube, and hence the equipment, is obtained by selecting a nominal supply potential which, at the maximum mains voltage, does not exceed the limiting value.

In equipment powered by a.c. or unsmoothed d.c., the pulsating waveform is such that the average values of voltage and current chosen must be lower than if they were supplied by a normal d.c. supply.

Special attention should be paid to the grid current and dissipation since, in most cases, they are critical values.

Special cases of intermittent service make it possible to increase the limiting values and information on these possibilities will be supplied on request.

5.4.1 Multiple tube operation

Since industrial generators are largely self oscillating, single tube operation is generally preferred. This mode of operation minimizes the risk of interaction between the tube and circuit stray reactances that could lead to parasitic oscillations. Whenever, for various reasons, such as the suppression of the even harmonics or the need for higher power at higher frequencies, push-pull or parallel operation is chosen, increased attention must be paid to the prevention of interaction between the tubes, be they in push-pull or parallel, through their connections or other stray circuit reactances.

5.5 Amateur transmitters and special adjustments

The maximum permissible load of a tube is determined by the physical maxima of the tube incorporated in the limiting values. No guaranteed tube life can be given if the limiting values are exceeded although this does not imply that exceeding the limits will always result in an immediate breakdown of the tube. In the case of I.C.A.S. (Intermittent Commercial and Amateur Service) for instance, higher operating conditions have been given (see section 4.8) but generally no guarantee of tube life is given. Information about special circuits, adjustments and operating conditions will be supplied on request.

5.6 Pulsed operation

When a tube is used under pulsed operation the pulse duration must be so short that no part of the tube reaches an abnormally high temperature and flash-overs do not develop. In general the average load will be considerably less than the maximum limiting load value.

General information on this kind of information is not available but, if requested, information will be given on specific applications.

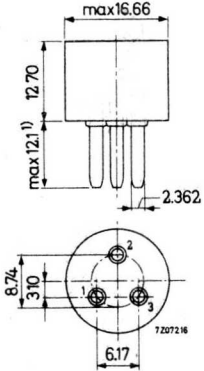
6. Conditioning

After transit or a period of storage it is recommended that power tubes should be operated for not less than 15 minutes with only the filaments/heaters energized before putting into full service.

In addition, for tubes operating normally with anode voltages in excess of 5 kV, it is recommended that the anode voltage and input power should be increased gradually or in several steps for a further period of 15 minutes, or longer, until normal operation is achieved.

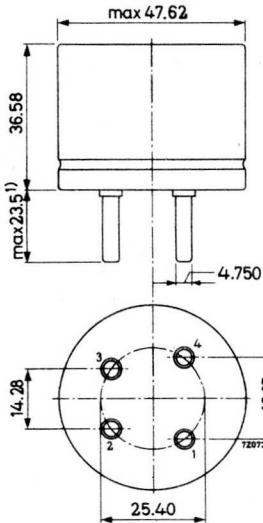
This treatment will remove any traces of gases which might cause premature failure of the tube.

Pee Wee 3-pin base
(IEC 67-1-19a)



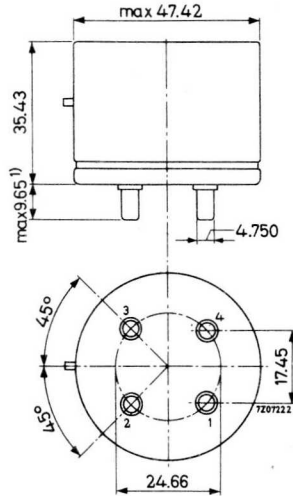
1) Including solder

Super Jumbo 4-pin base
(IEC 67-1-28a)



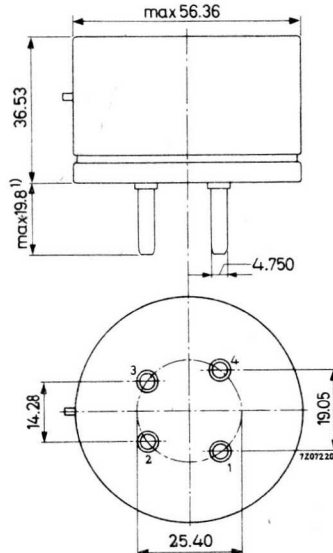
1) Including solder

Jumbo 4-pin base
(IEC 67-1-23)



1) Including solder

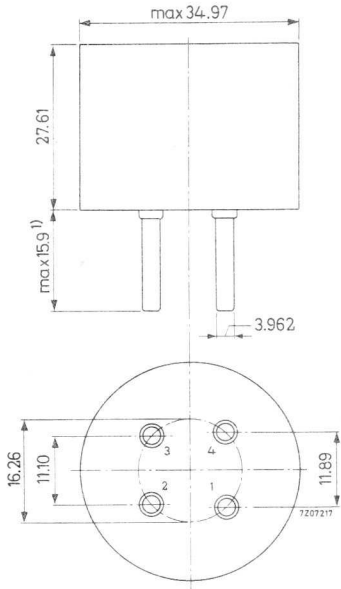
Super Jumbo 4-pin base with bayonet
(IEC 67-1-24)



1) Including solder

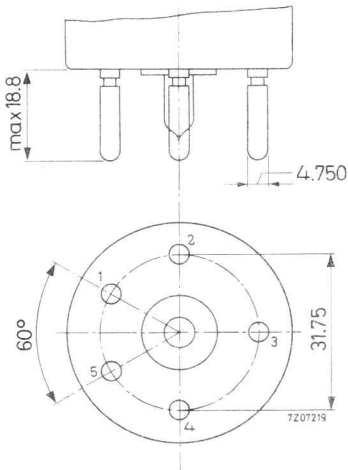
BASES

Medium 4-pin base
(IEC 67-I-2)

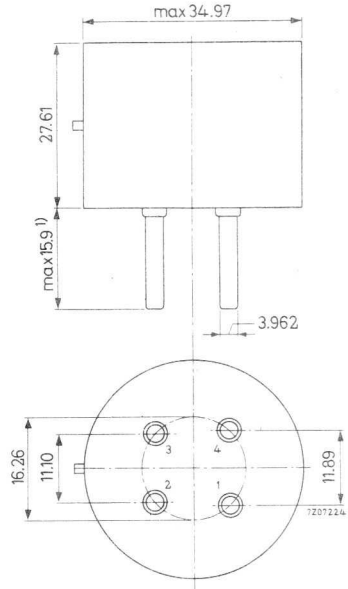


1) Including solder

Giant 5-pin base
(IEC 67-I-21c)

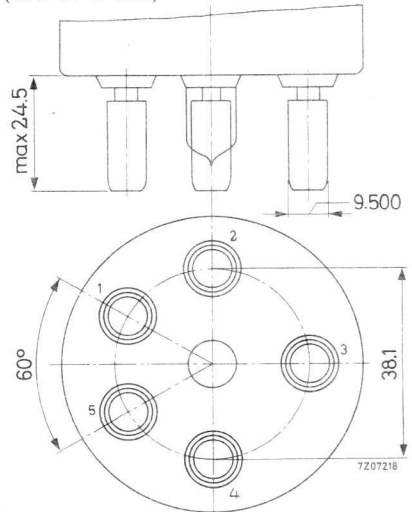


Medium 4-pin base with bayonet
(IEC 67-I-3)

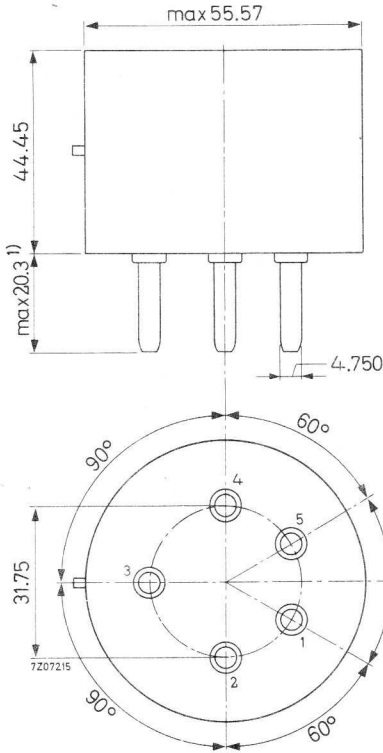


1) Including solder

Super Giant 5-pin base
(IEC 67-I-22a)

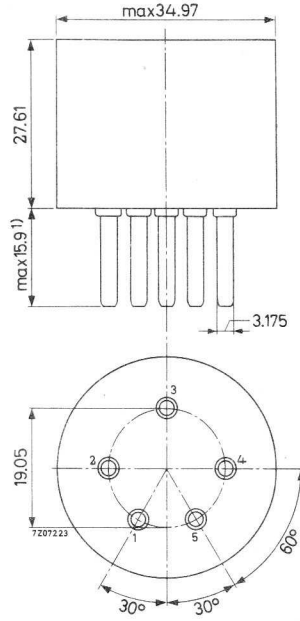


Medium shell Giant 5-pin base
with bayonet
(IEC 67-1-21a)



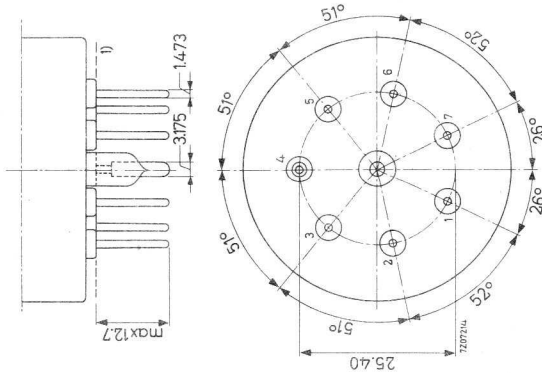
1) Including solder

Medium 5-pin base
(IEC 67-1-4a)



1) Including solder

Septar 7-pin base
(IEC 67-1-20a)



1) The reference line is established by the seating plane of the base and is determined by the three highest bosses.

Transmitting tubes for communication
Tubes for r.f. heating



TRIODES FOR R.F. HEATING

Preferred types for new equipment design

type	oscillator output power (kW)	cooling *)	frequency at full ratings max. (MHz)
YD1240	2, 67	FA	250
YD1352S	3	W	5
YD1150	4, 75	FA	85
YD1151		W	
YD1152		WH	
YD1160	8, 8	F	85
YD1161		W	
YD1162		WH	
YD1173	13, 2	FA	50
YD1170	15, 4	FA	120
YD1172		WH	
YD1175	26, 2	FA	120
YD1177		WH	
YD1180	31, 6	FA	100
YD1182		W	
YD1185	50	FA	100
YD1187		W	
YD1192	62, 7	W	100
YD1193		V	
YD1195	90	FA	30
YD1197	108	W	30
YD1202	163	W	100
YD1203		V	
YD1204		V	
YD1212	240	W	100
YD1213		V	
YD1342	480	W	30
YD1343		V	

*) FA = forced air
W = water
WH = water (helix)
V = vapour

R.F. POWER TRIODE

Triodes intended for use as H.F. amplifier, oscillator, and modulator.

The YD1000 is water cooled.

The YD1001 is forced-air cooled.

The YD1002 is vapour cooled.

QUICK REFERENCE DATA

Frequency (MHz)	C telegraphy		C anode mod.		R.F. class B		A.F. class B Two tubes	
	V _a (kV)	W _o (kW)	V _a (kV)	W _o (kW)	V _a (kV)	W _o (kW)	V _a (kV)	W _o (kW)
10	15	120			15	110	10	78
30	12	90	11	66	12	110	10	78

HEATING: direct by a.c. or d.c. ; thoriated tungsten filament.

Filament voltage	V _f	12,6	V
Filament current	I _f	160	A

CAPACITANCES

Grid to filament	C _{gf}	120	pF
Anode to filament	C _{af}	1,4	pF
Anode to grid	C _{ag}	50	pF

TYPICAL CHARACTERISTICS

Anode voltage	V _a	3	kV
Anode current	I _a	1	A
Amplification factor	μ	58	
Transconductance	S	60	mA/V

TEMPERATURE LIMITS

Absolute max. bulb temperature	t _{bulb}	220	°C
Absolute max. seal temperature	t _s	220	°C

COOLING

At frequencies higher than 10 MHz a low-velocity air flow should be directed to the grid and filament seals.

YD1000

See cooling curves.

For water inlet temperatures between 20 °C and 50 °C the required quantity of water can be found by proportional interpolation.

YD1001

See cooling curves.

At higher temperatures the amount of air should be increased so that the outlet air temperature is not higher than that at $t_i = 25$ °C. At lower temperatures the amount of air should be the same as that at $t_i = 25$ °C.

YD1002

Cooling data for anode dissipation $W_a = 60$ kW

Total dissipation to be transferred by cooling system
 $(W_a + W_g + 0,8 W_f)$
 equivalent to

63 kW
 3768 kJ/min
 (900 kcal/min)

Volume of produced vapour

at back-flow water temperature of 20 °C 2,5 m³/min
 at back-flow water temperature of 90 °C 2,8 m³/min

Amount of back-flowing water

at back-flow water temperature of 20 °C 1,5 ℓ/min
 at back-flow water temperature of 90 °C 1,7 ℓ/min

ACCESSORIES

Filament connector with cable	type	40670	
Filament/cathode connector with cable	type	40670	
Water jacket (YD1000 only)	type	K 724	net mass 5 kg
Insulating pedestal (YD1001 only)	type	40672	net mass 9,2 kg
Vapour cooling system (vapour jacket) (YD1002 only)	type	K 728	net mass 8 kg
Tube extractor	type	221 L	

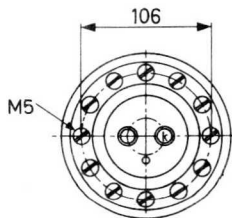
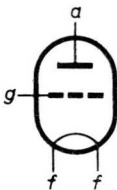
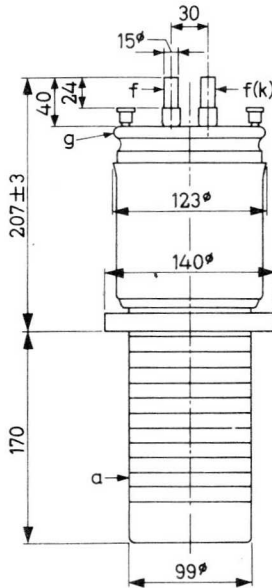
MECHANICAL DATA

Dimensions in mm

YD1000

Net mass : 6, 2 kg

Mounting position : vertical with anode down

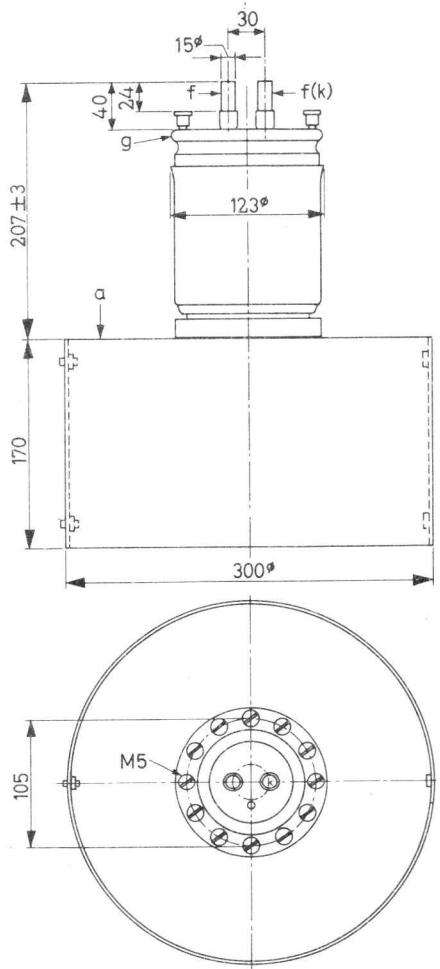


YD1000
YD1001
YD1002

YD1001

Net mass : 39 kg

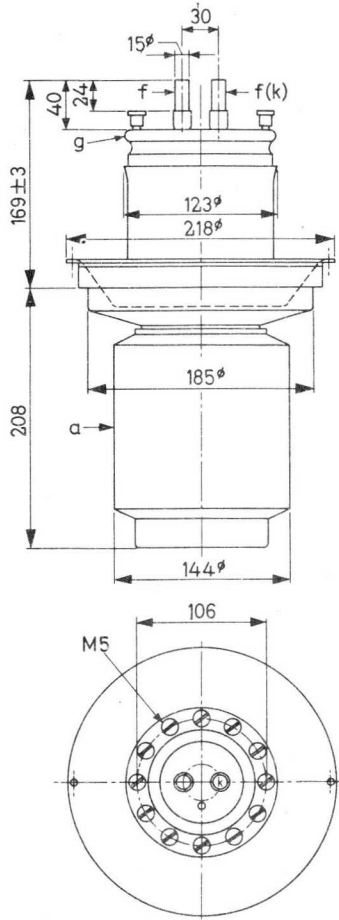
Mounting position : vertical with anode down



YD1002

Net mass : 17 kg

Mounting position : vertical with anode down



R.F. CLASS-C TELEGRAPHY or F.M. TELEPHONY

LIMITING VALUES (Absolute limits)

Frequency	f	up to	10	up to	30	MHz
Anode voltage	V_a	max.	16	max.	12,5	kV
Anode dissipation (YD1000) (YD1001) (YD1002)	W_a	max.	45	max.	45	kW
	W_a	max.	35	max.	35	kW
	W_a	max.	60	max.	60	kW
Grid voltage, negative	$-V_g$	max.	1000	max.	1000	V
Grid dissipation	W_g	max.	1,3	max.	1,3	kW
Anode current	I_a	max.	13	max.	13	A
Grid current	I_g	max.	3,3	max.	3,3	A

OPERATING CONDITIONS

Frequency	f	10	30	30	30	MHz
Anode voltage	V_a	15	12	10	8	kV
Grid voltage	V_g	-600	-550	-500	-450	V
Anode current	I_a	9,75	9,25	9,0	8,75	A
Grid current	I_g	2,2	2,2	2,1	1,85	A
Grid driving voltage, peak	V_{gp}	1000	940	875	810	V
Driving power	W_{dr}	2,1	1,9	1,7	1,55	kW
Anode input power	W_{ia}	146	111	90	70	kW
Anode dissipation	W_a	26	21	18	15	kW
Output power	W_o	120	90	72	55	kW
Efficiency	η	82	81	80	78,5	%

R.F. CLASS-B AMPLIFIER

LIMITING VALUES (Absolute limits)

Frequency	f	up to	10	up to	30	MHz
Anode voltage	V_a	max.	16	max.	12,5	kV
Anode dissipation	(YD1000) W_a (YD1001) W_a (YD1002) W_a	max.	45	max.	45	kW
Grid voltage, negative	$-V_g$	max.	1000	max.	1000	V
Grid dissipation	W_g	max.	1,3	max.	1,3	kW
Anode current	I_a	max.	13	max.	13	A
Grid current	I_g	max.	3,3	max.	3,3	A

OPERATING CONDITIONS

Frequency	f	10	10	30	30	MHz
Anode voltage	V_a	15	15	12	12	kV
Grid voltage	V_g	-260	-260	-210	-210	V
Anode current	I_a	10,1	7,75	12,7	9,85	A
Grid current	I_g	2,0	1,3	3,0	1,9	A
Grid driving voltage, peak	V_{gp}	600	520	650	520	V
Driving power	W_{dr}	1080	610	1770	880	W
Anode input power	W_{ia}	151	116,3	153	118	kW
Anode dissipation	W_a	41	31,3	43	33	kW
Output power	W_o	110	85	110	85	kW
Efficiency	η	73	73	72	72	%

R.F. CLASS-C ANODE MODULATION

LIMITING VALUES (Absolute limits)

Frequency	f	up to	30	MHz
Anode voltage	V_a	max.	11,5	kV
Anode dissipation	W_a	max.	30	kW
Grid voltage, negative	$-V_g$	max.	1000	V
Grid dissipation	W_g	max.	1,3	kW
Anode current	I_a	max.	9	A
Grid current	I_g	max.	3,3	A

OPERATING CONDITIONS

Frequency	f	30	30	MHz
Anode voltage	V_a	11	10	kV
Grid voltage	V_g	-480	-440	V ¹⁾
Anode current	I_a	7,6	6,9	A
Grid current	I_g	3,1	3,1	A
Grid resistor	R_g	90	80	Ω
Grid driving voltage, peak	V_{gp}	880	810	V
Driving power	W_{dr}	2,7	2,4	kW
Anode input power	W_{ia}	83,6	69	kW
Anode dissipation	W_a	17,6	14	kW
Output power	W_o	66	55	kW
Efficiency	η	79	79	%
Modulation depth	m	100	100	%
Modulation power	W_{mod}	41,8	34,5	kW

¹⁾ Partially obtained by the grid resistor and grid current.

A.F. CLASS-B AMPLIFIER AND MODULATOR

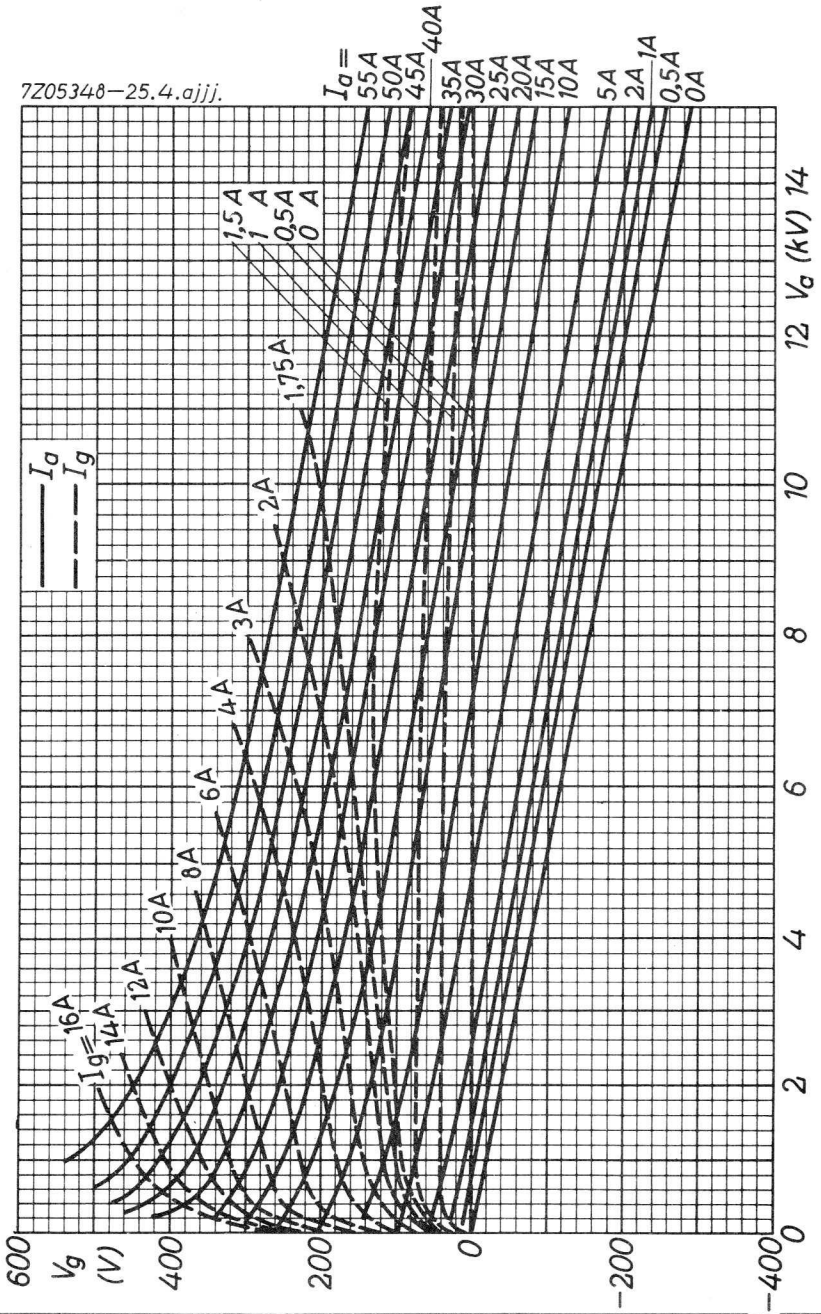
LIMITING VALUES (Absolute limits)

Anode voltage	V_a	max.	12	kV
Anode dissipation	W_a	max.	45	kW
Grid voltage, negative	$-V_g$	max.	1000	V
Grid dissipation	W_g	max.	1,3	kW
Anode current	I_a	max.	13	A
Grid current	I_g	max.	3,3	A

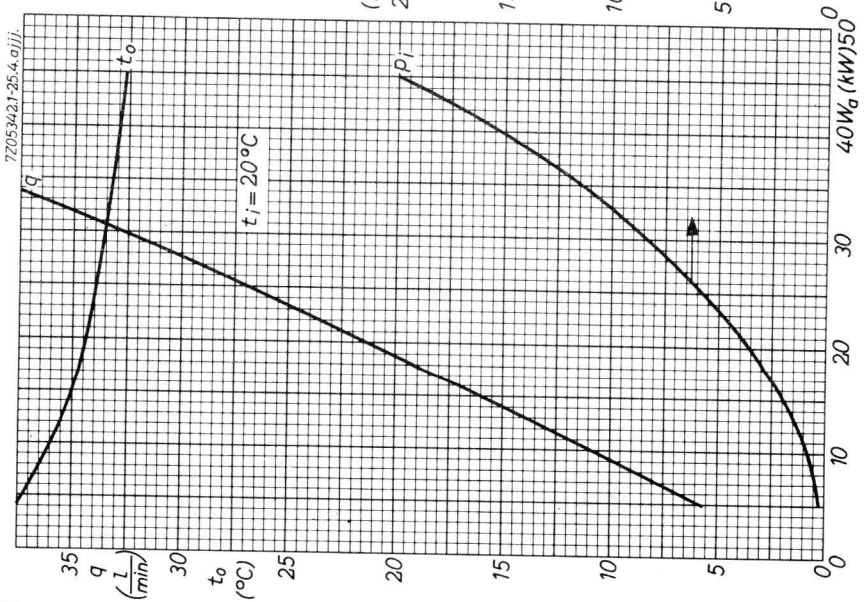
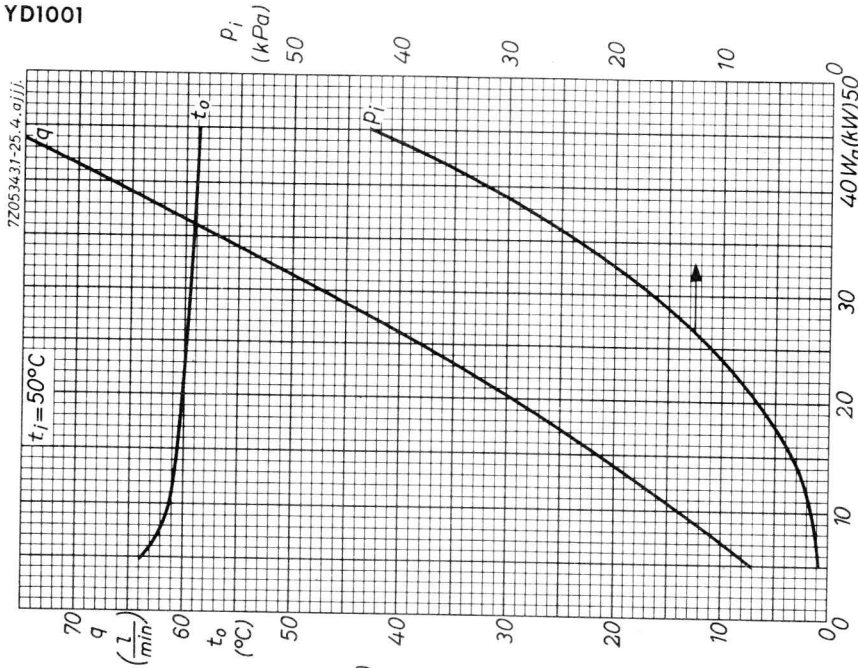
OPERATING CONDITIONS (two tubes in push-pull)

Anode voltage	V_a	12	10	kV
Grid voltage	V_g	-205	-170	V
Load resistance	$R_{aa\sim}$	2720	1810	Ω
Grid driving voltage, peak	V_{ggp}	0 710	0 710	V
Anode current	I_a	2x0,4 2x4,75	2x0,4 2x5,75	A
Grid current, average	I_g	0 2x0,45	0 2x0,72	A
Grid current, peak	I_{gp}	0 2x2,9	0 2x4,0	A
Driving power	W_{dr}	0 2x150	0 2x235	W
Anode input power	W_{ia}	2x4,0 2x57	2x4,0 2x57,5	kW
Anode dissipation	W_a	2x4,0 2x18	2x4,0 2x18,5	kW
Output power	W_o	0 78	0 78	kW
Efficiency	η	- 68,5	- 68	%

7205348-25.4.ajjj.



YD1001

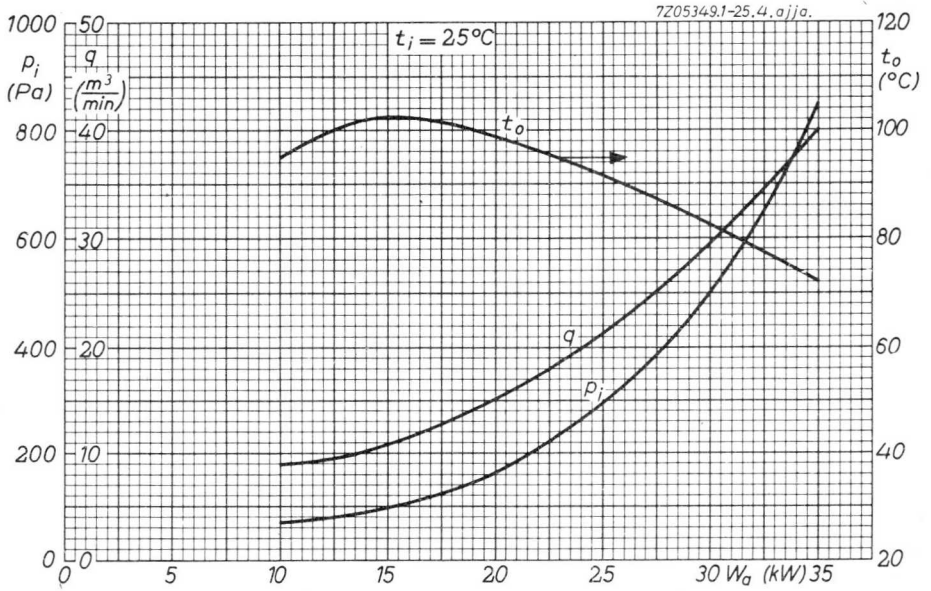


100 kPa \approx 1 at.



YD1000
YD1001
YD1002

YD1001



1 Pa \approx 0, 1 mmH₂O.

WATER COOLED R.F. POWER TRIODE

QUICK REFERENCE DATA

Frequency (MHz)	C telegr.		B teleph.		C an. mod.		A. F. class B ¹⁾	
	V _a	W _o	V _a	W _o	V _a	W _o	V _a	W _o
	(kV)	(kW)	(kV)	(kW)	(kV)	(kW)	(kV)	(kW)
10	15	360					12	450
30	12	285	10	60	11	165	10	400
			8	50	10	135	8	300
			6	35	8	110	6	200

HEATING : direct by AC or DC; filament thoriated tungsten

Filament voltage V_f = 18 V
 Filament current I_f = 280 A

CAPACITANCES

Anode to filament C_{af} = 7.5 pF
 Grid to filament C_{gf} = 240 pF
 Anode to grid C_{ag} = 120 pF

TYPICAL CHARACTERISTICS

Anode voltage V_a = 4 kV
 Anode current I_a = 5 A
 Amplification factor μ = 55
 Mutual conductance S = 130 mA/V

¹⁾ Two tubes

TEMPERATURE LIMITS (Absolute limits)

Bulb temperature = max. 180 °C

Seal temperature = max. 180 °C

COOLING CHARACTERISTICS . See also cooling curves

W_a (kW)	t_i (°C)	q_{min} (l/min)	P_i (atm)
10	20	12	0.003
	50	17	0.005
40	20	37	0.03
	50	54	0.07
80	20	75	0.12
	50	112	0.26
120	20	120	0.3
	50	179	0.6

For inlet temperatures t_i between 20 °C and 50 °C the required quantity of water can be found by proportional interpolation.

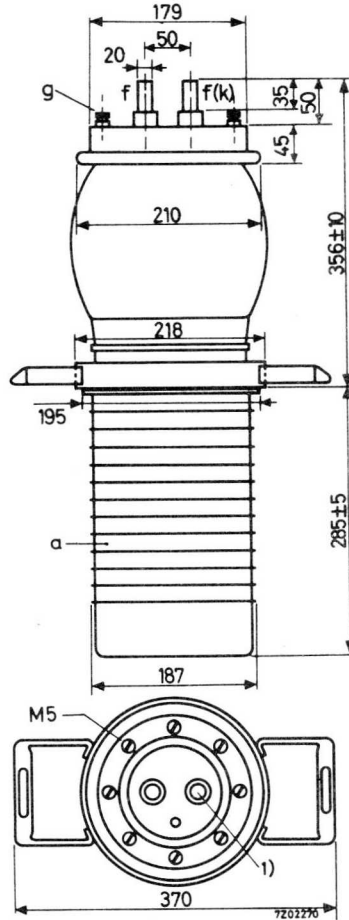
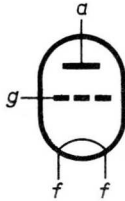
At frequencies higher than 10 MHz a low velocity air flow should be directed to the seals of grid and filament.

MECHANICAL DATA

Dimensions in mm

Net weight of tube : 32.5 kg

Net weight of water jacket: 30.5 kg



Mounting position: vertical with anode down

ACCESSORIES

Water jacket : K723

Filament connectors with cable: 40667

¹⁾ This pin should be used for connecting the anode return lead.

R.F. CLASS C TELEGRAPHY

LIMITING VALUES (Absolute limits)

Frequency	f		up to 10	up to 30	MHz
Anode voltage	V_a	= max.	15	12	kV
Anode dissipation	W_a	= max.	120	120	kW
Negative grid voltage	$-V_g$	= max.	1200	1200	V
Grid dissipation	W_g	= max.	4	4	kW
Anode current	I_a	= max.	33	33	A
Grid current	I_g	= max.	8	8	A

OPERATING CONDITIONS

Frequency	f	=	10	10	30	30	MHz
Anode voltage	V_a	=	15	15	12	12	kV
Grid voltage	V_g	=	-520	-800	-480	-720	V
Anode current	I_a	=	29.3	24.7	29.3	24.7	A
Grid current	I_g	=	5.4	5.2	5.9	5.5	A
Peak driving voltage	V_{gp}	=	1090	1370	1050	1290	V
Driving power	W_{dr}	=	5.5	6.6	5.7	6.6	kW
Anode input power	W_{ia}	=	440	371	353	296	kW
Anode dissipation	W_a	=	80	61	68	51	kW
Output power	W_o	=	360	310	285	245	kW
Efficiency	η	=	81.8	83.5	80.8	82.6	%

R.F. CLASS C ANODE MODULATION

LIMITING VALUES (Absolute limits)

Frequency	f	up to 30 MHz	
Anode voltage	V_a	= max.	11 kV
Anode dissipation	W_a	= max.	80 kW
Negative grid voltage	$-V_g$	= max.	1000 V
Grid dissipation	W_g	= max.	4 kW
Anode current	I_a	= max.	22 A
Grid current	I_g	= max.	8 A

OPERATING CONDITIONS

Frequency	f	=	30	30	30 MHz
Anode voltage	V_a	=	11	10	8 kV
Grid voltage	V_g	=	-170	-140	-100 V
Grid resistor	R_g	=	40	44	33 Ω
Anode current	I_a	=	19	17.3	18 A
Grid current	I_g	=	7.4	6.9	7.6 A
Peak driving voltage	V_{gp}	=	1000	930	855 V
Driving power	W_{dr}	=	7.1	6	6 kW
Anode input power	W_{ia}	=	209	173	144 kW
Anode dissipation	W_a	=	44	38	34 kW
Output power	W_o	=	165	135	110 kW
Efficiency	η	=	79	78	76.5 %
Modulation depth	m	=	100	100	100 %
Modulation power	W_{mod}	=	105	87	72 kW

R.F. CLASS B TELEPHONY

LIMITING VALUES (Absolute limits)

Frequency	f		up to 10	up to 30	MHz
Anode voltage	V_a	= max.	15	12	kV
Anode dissipation	W_a	= max.	120	120	kW
Negative grid voltage	$-V_g$	= max.	800	800	V
Grid dissipation	W_g	= max.	4	4	kW
Anode current	I_a	= max.	27	27	A
Grid current	I_g	= max.	8	8	A

OPERATING CONDITIONS

Frequency	f	=	30	30	30	MHz
Anode voltage	V_a	=	10	8	6	kV
Grid voltage	V_g	=	-150	-115	-82	V
Anode current	I_a	=	17	18.2	17.9	A
Grid current	I_g	=	0.8	1.2	1.5	A
Peak driving voltage	V_{gp}	=	338	338	321	V
Driving power	W_{dr}	=	0.25	0.36	0.43	kW
Anode input power	W_{ia}	=	170	146	108	kW
Anode dissipation	W_a	=	110	96	73	kW
Output power	W_o	=	60	50	35	kW
Efficiency	η	=	35.3	34.3	32.6	%
Modulation depth	m	=	100	100	100	%
Grid current	I_g	=	5.9	6.8	7.2	A
Driving power	W_{dr}	=	3.6	4.1	4.1	kW

A.F. CLASS B AMPLIFIER

LIMITING VALUES (Absolute limits)

Anode voltage	V_a	= max.	12	kV
Anode dissipation	W_a	= max.	120	kW
Negative grid voltage	$-V_g$	= max.	800	V
Grid dissipation	W_g	= max.	4	kW
Anode current	I_a	= max.	33	A
Grid current	I_g	= max.	8	A

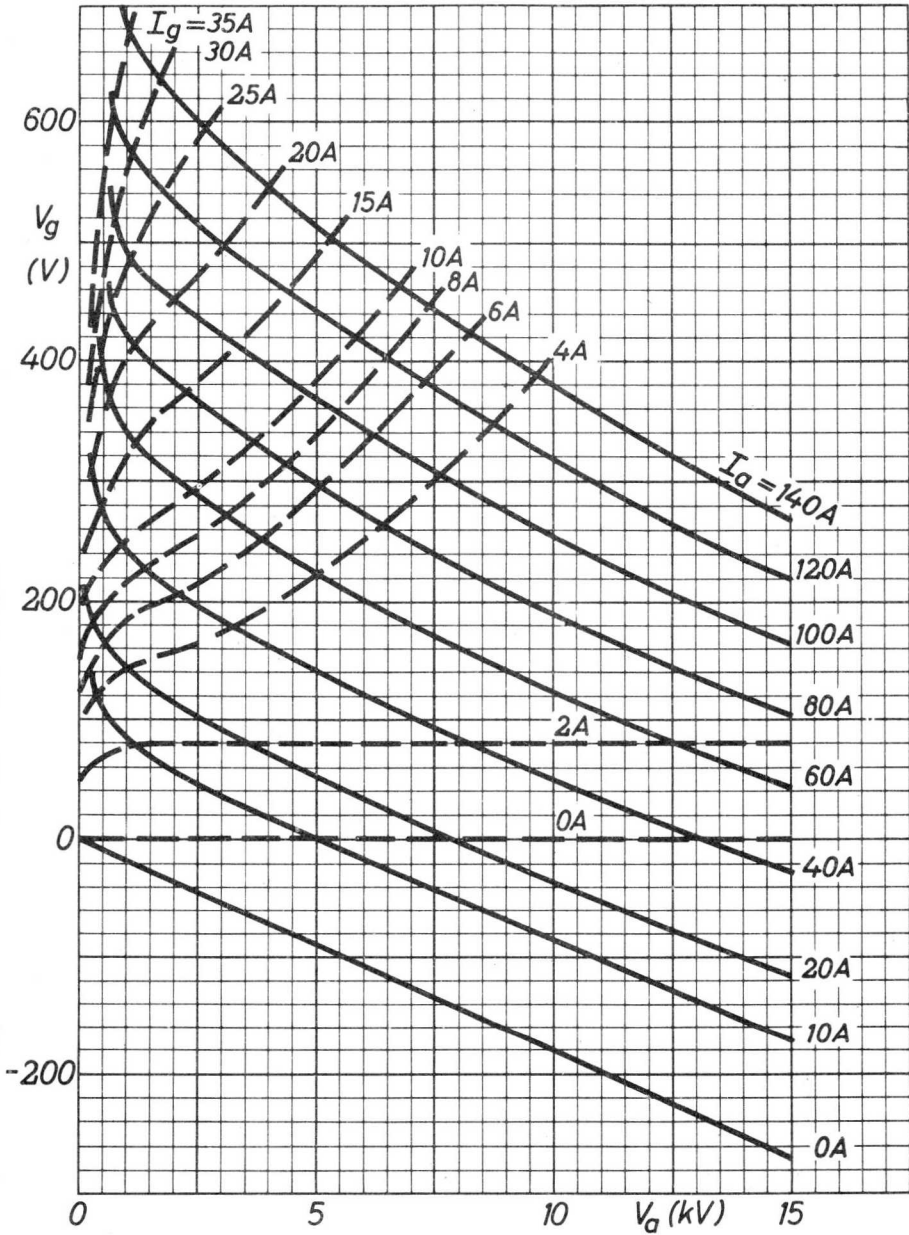
OPERATING CONDITIONS, two tubes in push-pull

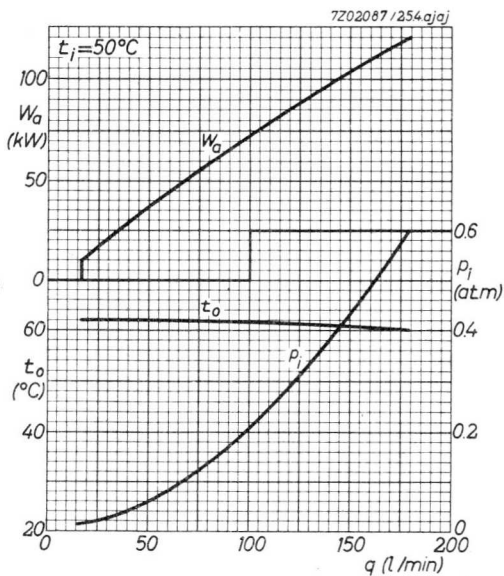
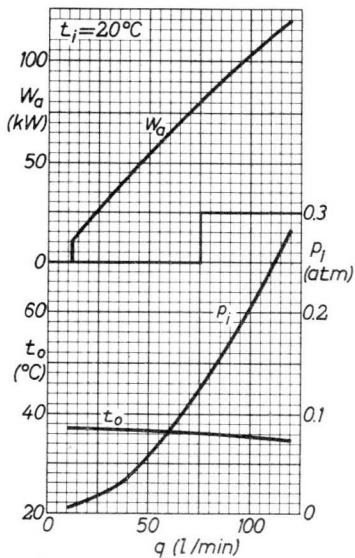
Anode voltage	V_a	=	12	10	kV
Grid voltage	V_g	=	-180	-150	V
Load resistance	$R_{aa\sim}$	=	552	410	Ω
Peak driving voltage	V_{ggp}	=	0 1210	0 1205	V
Anode current	I_a	=	2x2 2x26	2x1.8 2x28	A
Grid current	I_g	=	0 2x4.4	0 2x4.8	A
Peak grid current	I_{gp}	=	0 2x23	0 2x24	A
Driving power	W_{dr}	=	0 2x2.4	0 2x2.6	kW
Anode input power	W_{ia}	=	2x24 2x312	2x18 2x280	kW
Anode dissipation	W_a	=	2x24 2x87	2x18 2x80	kW
Output power	W_o	=	0 450	0 400	kW
Efficiency	η	=	- 72	- 71.4	%

OPERATING CONDITIONS, two tubes in push-pull (continued)

Anode voltage	V_a	=	8		6	kV
Grid voltage	V_g	=	-115		-82	V
Load resistance	$R_{aa\sim}$	=	338		268	Ω
Peak driving voltage	V_{ggp}	=	0	1110	0	990 V
Anode current	I_a	=	2x1.6	2x27	2x1.4	2x25 A
Grid current	I_g	=	0	2x5	0	2x4.9 A
Peak grid current	I_{gp}	=	0	2x24	0	2x22 A
Driving power	W_{dr}	=	0	2x2.5	0	2x2.2 kW
Anode input power	W_{ia}	=	2x12.8	2x216	2x8.4	2x150 kW
Anode dissipation	W_a	=	2x12.8	2x66	2x8.4	2x50 kW
Output power	W_o	=	0	300	0	200 kW
Efficiency	η	=	-	69.5	-	67 %

7Z0564-0-25.4-ajaj





VAPOUR COOLED R.F. POWER TRIODE

QUICK REFERENCE DATA								
Frequency (MHz)	C telegraphy		C anode mod.		B telephony		AF class B Two tubes	
	V _a (kV)	W _o (kW)	V _a (kV)	W _o (kW)	V _a (kV)	W _o (kW)	V _a (kV)	W _o (kW)
10	15	360					12	450
30	12	285	11	165	10	60	10	400
			10	135	8	50	8	300
			8	110	6	35	6	200

HEATING: direct by A.C. or D.C.; filament thoriated tungsten

Filament voltage $V_f = 18$ V

Filament current $I_f = 280$ A

CAPACITANCES

Grid to filament $C_{gf} = 240$ pF

Anode to filament $C_{af} = 7.5$ pF

Anode to grid $C_{ag} = 120$ pF

TYPICAL CHARACTERISTICS

Anode voltage $V_a = 4$ kV

Anode current $I_a = 5$ A

Amplification factor $\mu = 55$

Mutual conductance $S = 130$ mA/V

TEMPERATURE LIMITS (Absolute limits)

Bulb temperature $t = \text{max. } 180$ °C

Seal temperature $t = \text{max. } 180$ °C

COOLING

Cooling data for anode dissipation $W_a = 180$ kW

Total dissipation to be transferred by cooling system
 $(W_a + W_g + 0.8 W_f)$
 equivalent to

188 kW
 2700 kcal/min

Volume of produced vapour

at back flow water temperature of 20 °C
 at back flow water temperature of 90 °C

7.3 m³/min
 8.3 m³/min

Amount of back flowing water

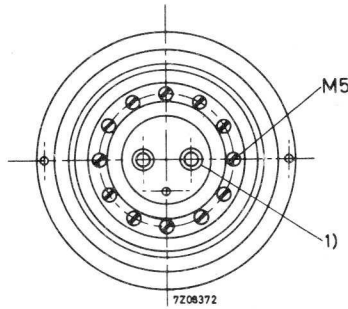
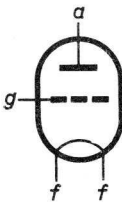
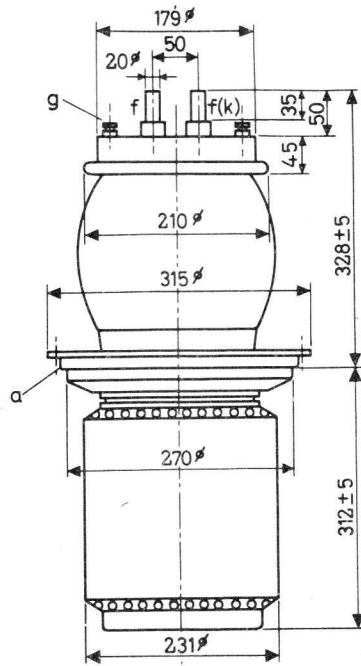
at back flow water temperature of 20 °C
 at back flow water temperature of 90 °C

4.4 l/min
 5.1 l/min

MECHANICAL DATA

Net weight: 51.5 kg

Dimensions in mm



Mounting position: vertical with anode down

ACCESSORIES

Vapour cooling system K729

Filament connectors with cable 40667

1) This pin should be used for connecting the anode return lead

R.F. CLASS C TELEGRAPHY

LIMITING VALUES (Absolute limits)

Frequency	f	up to	10	up to	30	MHz
Anode voltage	V_a	= max.	15		12	kV
Anode dissipation	W_a	= max.	180		180	kW
Negative grid voltage	$-V_g$	= max.	1200		1200	V
Grid dissipation	W_g	= max.	4		4	kW
Anode current	I_a	= max.	33		33	A
Grid current	I_g	= max.	8		8	A

OPERATING CONDITIONS

Frequency	f	=	10	10	30	30	MHz
Anode voltage	V_a	=	15	15	12	12	kV
Grid voltage	V_g	=	-520	-800	-480	-720	V
Anode current	I_a	=	29.3	24.7	29.3	24.7	A
Grid current	I_g	=	5.4	5.2	5.9	5.5	A
Peak driving voltage	V_{gp}	=	1090	1370	1050	1290	V
Driving power	W_{dr}	=	5.5	6.6	5.7	6.6	kW
Anode input power	W_{ia}	=	440	371	353	296	kW
Anode dissipation	W_a	=	80	61	68	51	kW
Output power	W_o	=	360	310	285	245	kW
Efficiency	η	=	81.8	83.5	80.8	82.6	%

R.F. CLASS C ANODE MODULATION

LIMITING VALUES (Absolute limits)

Frequency	f	up to	30	MHz
Anode voltage	V_a	= max.	11	kV
Anode dissipation	W_a	= max.	120	kW
Negative grid voltage	$-V_g$	= max.	1000	V
Grid dissipation	W_g	= max.	4	kW
Anode current	I_a	= max.	22	A
Grid current	I_g	= max.	8	A

OPERATING CONDITIONS

Frequency	f	=	30	30	30	MHz
Anode voltage	V_a	=	11	10	8	kV
Grid voltage	V_g	=	-170	-140	-100	V
Grid resistor	R_g	=	40	44	33	Ω
Anode current	I_a	=	19	17.3	18	A
Grid current	I_g	=	7.4	6.9	7.6	A
Peak driving voltage	V_{gp}	=	1000	930	855	V
Driving power	W_{dr}	=	7.1	6.0	6.0	kW
Anode input power	W_{ia}	=	209	173	144	kW
Anode dissipation	W_a	=	44	38	34	kW
Output power	W_o	=	165	135	110	kW
Efficiency	η	=	79	78	76.5	%
Modulation depth	m	=	100	100	100	%
Modulation power	W_{mod}	=	105	87	72	kW

R.F. CLASS B TELEPHONY

LIMITING VALUES (Absolute limits)

Frequency	f	up to 10	up to 30	MHz
Anode voltage	V_a	= max. 15	12	kV
Anode dissipation	W_a	= max. 180	180	kW
Negative grid voltage	$-V_g$	= max. 800	800	V
Grid dissipation	W_g	= max. 4	4	kW
Anode current	I_a	= max. 27	27	A
Grid current	I_g	= max. 8	8	A

OPERATING CONDITIONS

Frequency	f	= 30	30	30	MHz
Anode voltage	V_a	= 10	8	6	kV
Grid voltage	V_g	= -150	-115	-82	V
Anode current	I_a	= 17	18.2	17.9	A
Grid current	I_g	= 0.8	1.2	1.5	A
Peak driving voltage	V_{gp}	= 338	338	321	V
Driving power	W_{dr}	= 0.25	0.36	0.43	kW
Anode input power	W_{i_a}	= 170	146	108	kW
Anode dissipation	W_a	= 110	96	73	kW
Output power	W_o	= 60	50	35	kW
Efficiency	η	= 35.3	34.3	32.6	%
Modulation depth	m	= 100	100	100	%
Grid current	I_g	= 5.9	6.8	7.2	A
Driving power	W_{dr}	= 3.6	4.1	4.1	kW

A.F. CLASS B AMPLIFIER AND MODULATOR

LIMITING VALUES (Absolute limits)

Anode voltage	V_a	=	max.	12	kV
Anode dissipation	W_a	=	max.	180	kW
Negative grid voltage	$-V_g$	=	max.	800	V
Grid dissipation	W_g	=	max.	4	kW
Anode current	I_a	=	max.	33	A
Grid current	I_g	=	max.	8	A

OPERATING CONDITIONS (Two tubes in push-pull)

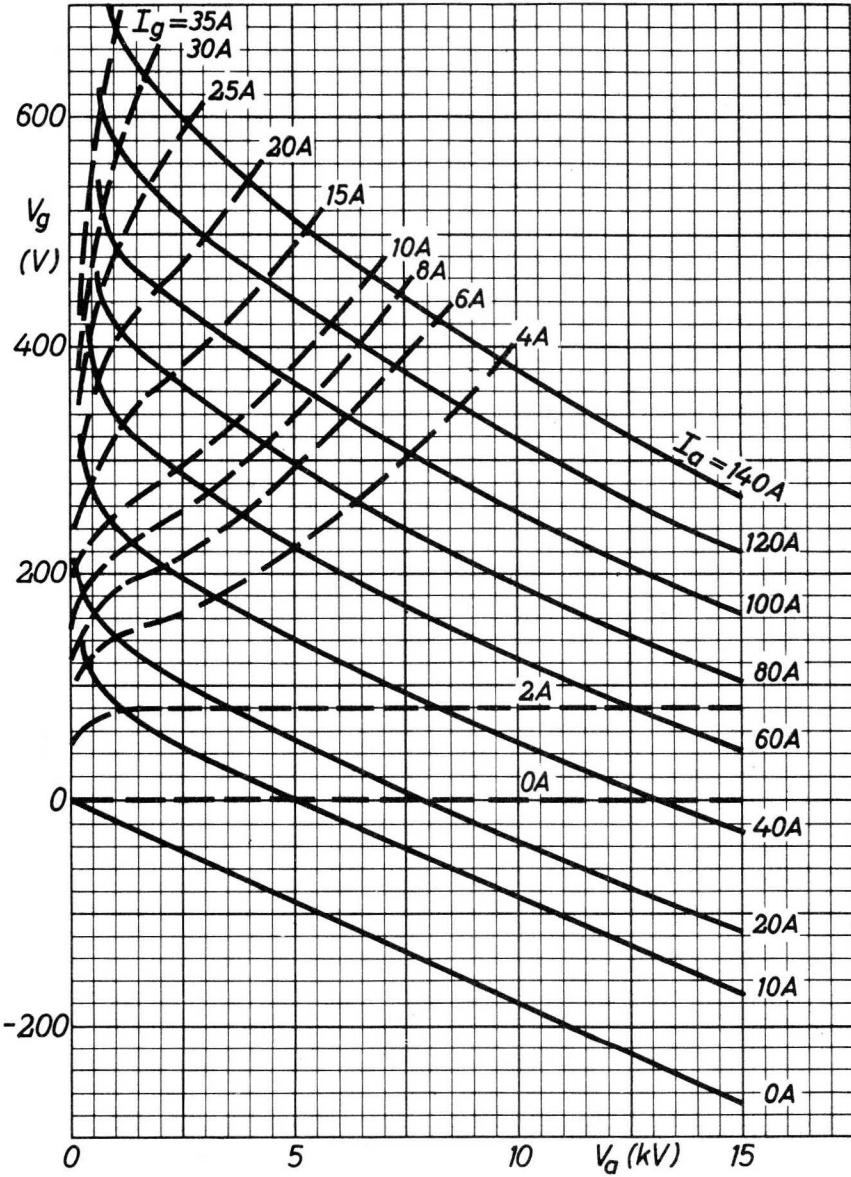
Anode voltage	V_a	=	12	10	kV		
Grid voltage	V_g	=	-180	-150	V		
Load resistance	$R_{aa\sim}$	=	552	410	Ω		
Peak driving voltage	V_{ggp}	=	0	1210	0	1205	V
Anode current	I_a	=	2x2.0	2x26	2x1.8	2x28	A
Average grid current	I_g	=	0	2x4.4	0	2x4.8	A
Peak grid current	I_{gp}	=	0	2x23	0	2x24	A
Driving power	W_{dr}	=	0	2x2.4	0	2x2.6	kW
Anode input power	W_{i_a}	=	2x24	2x312	2x18	2x280	kW
Anode dissipation	W_a	=	2x24	2x87	2x18	2x80	kW
Output power	W_o	=	0	450	0	400	kW
Efficiency	η	=	-	72	-	71.4	%

A.F. CLASS B AMPLIFIER AND MODULATOR

OPERATING CONDITIONS (Two tubes in push-pull; continued)

Anode voltage	V_a	=	8	6	kV
Grid voltage	V_g	=	-115	-82	V
Load resistance	$R_{aa\sim}$	=	338	268	Ω
Peak driving voltage	V_{ggp}	=	0 1110	0 990	V
Anode current	I_a	=	2x1.6 2x27	2x1.4 2x25	A
Average grid current	I_g	=	0 2x5.0	0 2x4.9	A
Peak grid current	I_{gp}	=	0 2x24	0 2x22	A
Driving power	W_{dr}	=	0 2x2.5	0 2x2.2	kW
Anode input power	W_{ia}	=	2x12.8 2x216	2x8.4 2x150	kW
Anode dissipation	W_a	=	2x12.8 2x66	2x8.4 2x50	kW
Output power	W_o	=	0 300	0 200	kW
Efficiency	η	=	- 69.5	- 67	%

7Z05640-25.4.ajaj



R.F. POWER TRIODE

R.F. zero bias power triode intended for use as linear S.S.B. amplifier and A.F. class B amplifier

QUICK REFERENCE DATA				
Class B SSB			B mod. Two tubes	
Frequency (MHz)	V_a (V)	W_{load} (PEP) (W)	V_a (V)	W_o (W)
30	2500	580	3000	1310

HEATING: direct by A.C. or D.C.; filament thoriated tungsten

Filament voltage	$V_f = 5.0$ V
Filament current	$I_f = 14.1$ A

CAPACITANCES

Anode to filament	$C_{af} = 0.033$ pF
Grid to filament	$C_{gf} = 8.0$ pF
Anode to grid	$C_{ag} = 5.0$ pF

TYPICAL CHARACTERISTICS

Anode voltage	$V_a = 5$ kV
Anode current	$I_a = 80$ mA
Mutual conductance	$S = 11$ mA/V
Amplification factor	$\mu = 350$

TEMPERATURE LIMITS (Absolute limits)

Anode seal temperature	$t = \text{max. } 220$ °C
Pin seal temperature	$t = \text{max. } 180$ °C
Bulb temperature	$t = \text{max. } 350$ °C

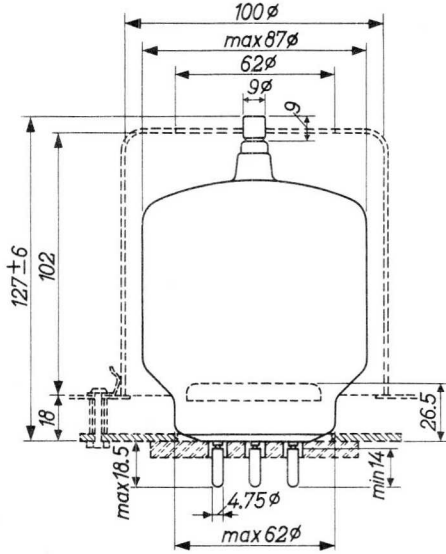
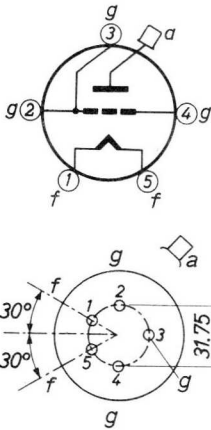
COOLING

Radiation and low velocity air flow

MECHANICAL DATA

Net weight: 210 g

Base : Giant 5p.



Mounting suggestion of tube with chimney

Dimensions in mm

Mounting position: vertical with base up or down

In order to prevent overheating of the grid pins by high-frequency current it is recommended to include the three grid socket connections in the circuit.

ACCESSORIES

Anode connector	40624
Socket	2422 512 01001
Chimney	40666

R. F. CLASS B LINEAR POWER AMPLIFIER SINGLE SIDE BAND

suppressed carrier, zero bias, grounded grid

LIMITING VALUES (Absolute limits)

Frequency	f	up to	110	MHz
Anode voltage	V_a	=	max. 3000	V
Anode input power	W_{i_a}	=	max. 1200	W
Anode dissipation	W_a	=	max. 400	W
Anode current	I_a	=	max. 400	mA
Grid dissipation	W_g	=	max. 20	W

OPERATING CHARACTERISTICS

Frequency	f	=	30	MHz		
Anode voltage	V_a	=	2500	V		
Grid voltage	V_g	=	0	V		
			zero signal	single tone signal	double tone signal	
Peak cathode driving voltage	V_{k_p}	=	0	91	91	V
Anode current	I_a	=	72	400	270	mA
Grid current	I_g	=	-	140	80	mA
Driver output power	W_{dr}	=	-	35	35 (PEP)	W
Anode input power	W_{i_a}	=	180	1000	675	W
Anode dissipation	W_a	=	180	385	368	W
Output power	W_o	=	0	640 ¹⁾	640 (PEP) ²⁾	W
Output power in load	W_{load}	=	0	580	580 (PEP)	W ³⁾
Overall efficiency	η	=	-	58	43	%
Intermodulation distortion						
of the 3rd order	d_3	=	-	-	-29	dB ⁴⁾
of the 5th order	d_5	=	-	-	-34	dB ⁴⁾

1) Inclusive 25 W feedthrough power

2) Inclusive 25 W peak envelope feedthrough power

3) Measured in a circuit having an efficiency of 91 %

4) Maximum distortion level encountered at any driving level up to full drive, referred to the amplitude of either of the two tones in a double tone test signal at full drive.

A.F. CLASS B AMPLIFIER AND MODULATOR

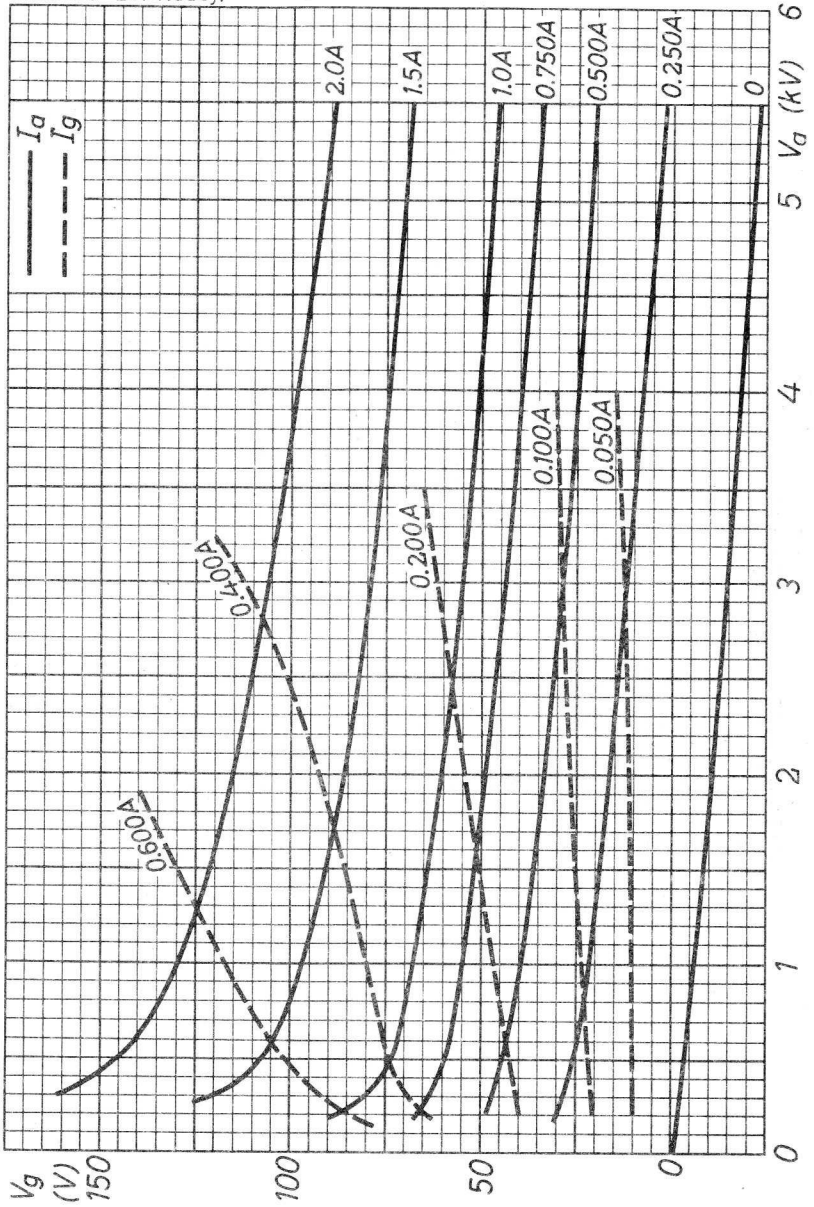
LIMITING VALUES (Absolute limits)

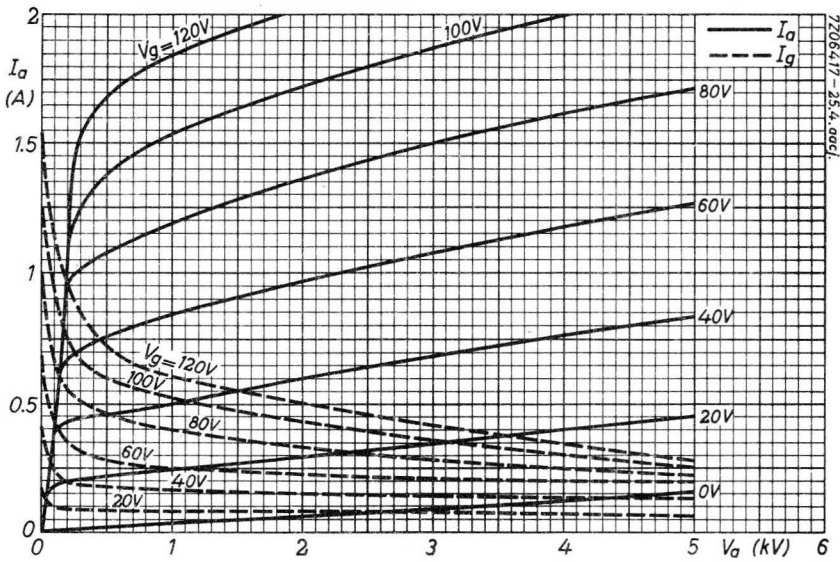
Anode voltage	V_a	=	max. 3000	V
Anode input power	W_{i_a}	=	max. 1200	W
Anode dissipation	W_a	=	max. 400	W
Anode current	I_a	=	max. 400	mA
Grid dissipation	W_g	=	max. 20	W

OPERATING CONDITIONS Class B, two tubes in push-pull

Anode voltage	V_a	=	3000	V
Load resistance	$R_{aa\sim}$	=	9500	Ω
Peak grid driving voltage	V_{ggp}	=	0	176 V
Anode current	I_a	=	2x90	2x333 mA
Grid current	I_g	=	0	2x120 mA
Driving power	W_{dr}	=	0	26 W
Anode input power	W_{i_a}	=	2x270	2x1000 W
Anode dissipation	W_a	=	2x270	2x345 W
Output power	W_o	=	0	1310 W
Efficiency	η	=	-	65 %

7Z06416-25.4.sacj.





WATER COOLED R.F. POWER TRIODE

QUICK REFERENCE DATA								
Freq. (MHz)	C teleg.		C an. mod.		C industr. osc.		B mod ¹⁾	
	V _a (kV)	W _o (kW)	V _a (kV)	W _o (kW)	V _a (kV)	W _o (kW)	V _a (kV)	W _o (kW)
30	12	108	10	83	12	124	10	106
	10	75	10	58	12	108	10	64
					10	75		

HEATING: direct; filament thoriated tungsten

Filament voltage	V _f	=	17.5	V
Filament current	I _f	=	196	A
Filament peak current	I _f _{fp}	max.	420	A
Cold filament resistance	R _{fo}	=	0.012	Ω

CAPACITANCES

Anode to all other elements except grid	C _a	=	2.2	pF
Grid to all other elements except anode	C _g	=	122	pF
Anode to grid	C _{ag}	=	75	pF

TYPICAL CHARACTERISTICS

Anode voltage	V _a	=	3	10	kV
Anode current	I _a	=	50	5	A
Amplification factor	μ	=	25	25	
Mutual conductance	S	=	140	60	mA/V

¹⁾ Two tubes

TEMPERATURE LIMITS (Absolute limits)Water inlet temperature t_i = max. 50 °C

Temperature of seals = max. 180 °C

WATER COOLING CHARACTERISTICS ; see also cooling curves

W_a (kW)	t_i (°C)	q_{min} (l/min)	P_i (atm)
30	20	25	0.15
	50	45	0.45
50	20	32	0.25
	50	65	0.85
100	20	55	0.6
	50	120	3.0

At water inlet temperatures between 20 and 50 °C the required quantity of water can be found by linear interpolation.

At frequencies below 6 MHz forced air cooling of the seals will, as a rule, not be necessary. Above 6 MHz air cooling must be used to keep the anode and grid seal temperatures below 180 °C. The seals can be cooled by connecting a blower of suitable size to the air inlet of the anti-corona ring, attached to the tube.

At maximum frequency (30 MHz) and published operating conditions an air flow of 2.5 m³/minute with a pressure loss of about 500 mm H₂O will in general be sufficient. The air flow must be started upon or before the application of filament voltage.

When using the special filament connectors type No. 40628, together with connecting leads of adequate cross-section, additional air cooling of the filament terminals is, as a rule, not necessary.

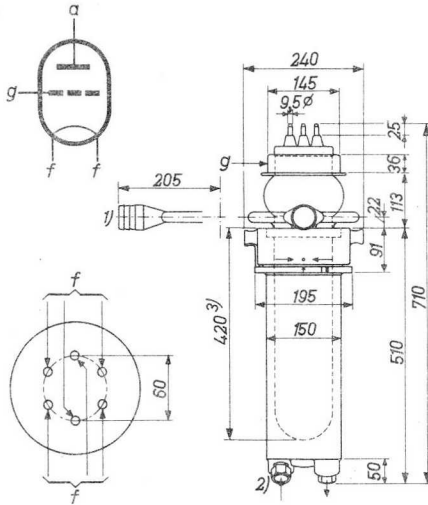
Care should be taken to ensure firm contact of the filament terminals in order to obtain equal distribution of current over these terminals.

MECHANICAL DATA

Water-jacket : K714
 Filament connectors : 40628
 O-ring : 2622 080 30916

Dimensions in mm

Net mass of tube : 13,5 kg ←
 Net mass of water-jacket : 20,5 kg



Mounting position: vertical with anode down

When connecting the filament the three pins of each group must be joined.

1) Use connecting hose with an inner diameter of $1\frac{3}{4}$ ".

2) Coupling for metal tubing with an outer diameter of 28 mm.

3) For removing the tube from its water-jacket the free height above the tube must be at least 420 mm.

R.F. CLASS C TELEGRAPHY

LIMITING VALUES (Absolute limits)

Frequency	f	up to	4	15	30 MHz
Anode voltage	V_a	= max.	15	13.5	12.5 kV
Anode current	I_a	= max.	12.5	12.5	12.5 A
Anode input power	W_{i_a}	= max.	165	165	150 kW
Anode dissipation	W_a	= max.	100	100	100 kW
Negative grid voltage	$-V_g$	= max.	1200	1200	1200 V
Grid current	I_g	= max.	1.2	1.2	1.2 A

OPERATING CONDITIONS

Frequency	f	=	30	30 MHz
Anode voltage	V_a	=	12	10 kV
Grid voltage	V_g	=	-1000	-800 V
Grid driving voltage	V_{g_p}	=	1500	1200 V
Anode current	I_a	=	12	10 A
Grid current	I_g	=	0.75	0.75 A
Anode input power	W_{i_a}	=	144	100 kW
Anode dissipation	W_a	=	36	25 kW
Driving power	W_{dr}	=	1100	850 W
Output power	W_o	=	108	75 kW
Efficiency	η	=	75	75 %

R.F. CLASS C ANODE MODULATION

LIMITING VALUES (Absolute limits)

Frequency	f	up to	30 MHz
Anode voltage	V_a	= max.	10.5 kV
Anode current	I_a	= max.	10.5 A
Anode input power	W_{i_a}	= max.	110 kW
Anode dissipation	W_a	= max.	66 kW
Negative grid voltage	$-V_g$	= max.	1200 V
Grid current	I_g	= max.	1.3 A

OPERATING CONDITIONS

Frequency	f	=	30	30 MHz
Anode voltage	V_a	=	10	10 kV
Grid voltage	V_g	=	-1050	-1050 V ¹⁾
Grid driving voltage	V_{gp}	=	1550	1450 V
Anode current	I_a	=	10.5	7.4 A
Grid current	I_g	=	1.1	0.8 A
Anode input power	W_{i_a}	=	105	74 kW
Anode dissipation	W_a	=	22	16 kW
Driving power	W_{dr}	=	1650	1100 W
Output power	W_o	=	83	58 kW
Efficiency	η	=	79	79 %
Modulation depth	m	=	100	100 %
Modulation power	W_{mod}	=	53	37 kW

¹⁾ Grid bias partly obtained by a grid resistor

R.F. CLASS C OSCILLATOR for industrial use with anode voltage from three-phase rectifier without filter

LIMITING VALUES (Absolute limits)

Frequency	f	up to	30	MHz
Anode voltage	V_a	= max.	13	kV
Anode current	I_a	= max.	15	A
Anode input power	W_{i_a}	= max.	180	kW
Anode dissipation	W_a	= max.	100	kW
Negative grid voltage	$-V_g$	= max.	1600	V
Grid current, loaded	I_g	= max.	1.0	A
Grid current, unloaded	I_g	= max.	1.4	A
Grid circuit resistance	R_g	= max.	10	k Ω

OPERATING CONDITIONS

Frequency	f	=	30	30	30	MHz
Anode voltage	V_a	=	12	12	10	kV
Anode current	I_a	=	14	12	10	A
Grid current	I_g	=	0.9	0.75	0.75	A
Grid circuit resistance	R_g	=	1100	1350	1100	Ω
Feedback ratio	$V_{g\sim}/V_{a\sim}$	=	15	14	14	%
Anode input power	W_{i_a}	=	168	144	100	kW
Anode dissipation	W_a	=	44	36	25	kW
Output power	W_o	=	124	108	75	kW
Efficiency	η	=	74	75	75	%
Output power in the load	W_l	=	104	91	63	kW ¹⁾

1) Useful power in the load measured in a circuit having an efficiency of 85%.

A.F. CLASS B AMPLIFIER AND MODULATOR

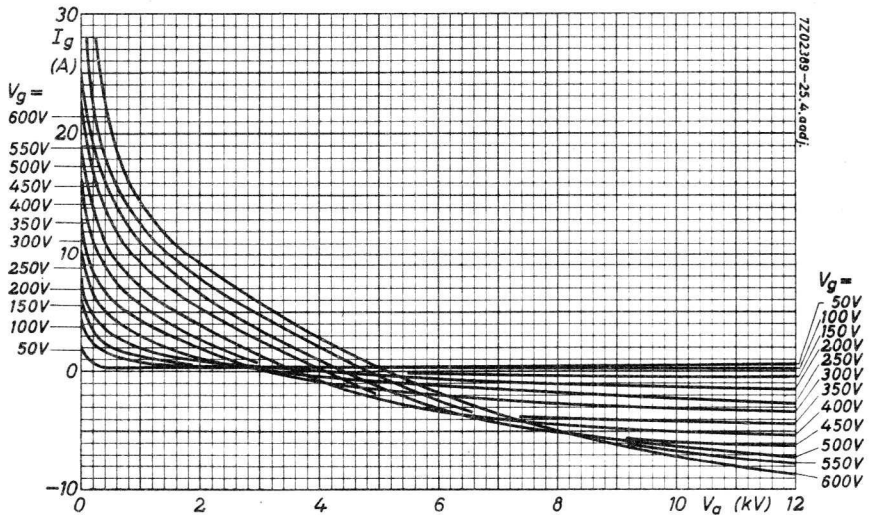
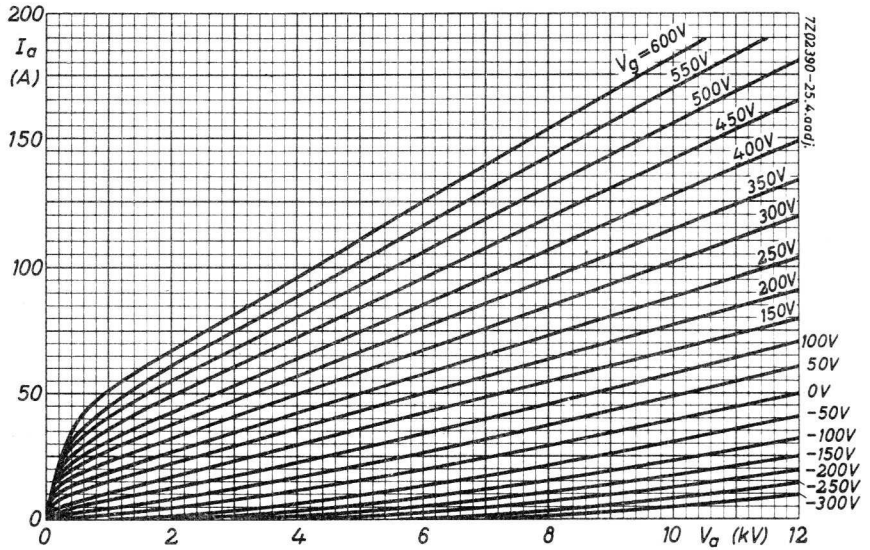
LIMITING VALUES (Absolute limits)

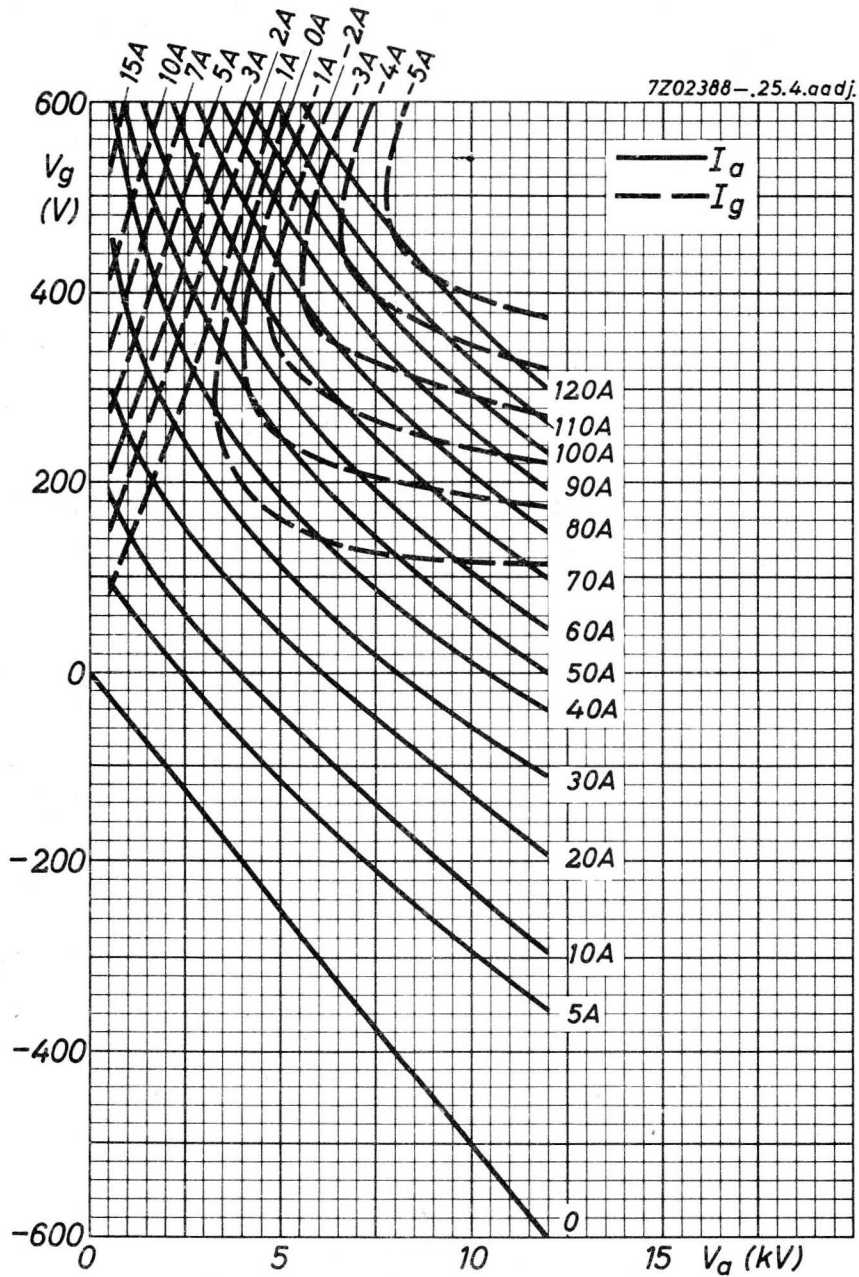
Anode voltage	V_a	= max.	15	kV
Anode current	I_a	= max.	12	A
Anode input power	W_{i_a}	= max.	162	kW
Anode dissipation	W_a	= max.	100	kW
Negative grid voltage	$-V_g$	= max.	1200	V
Grid current	I_g	= max.	1.2	A

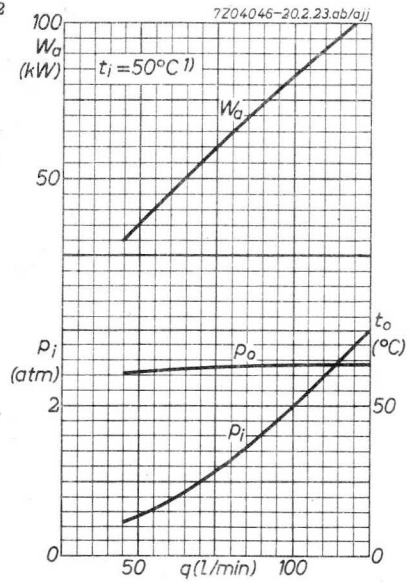
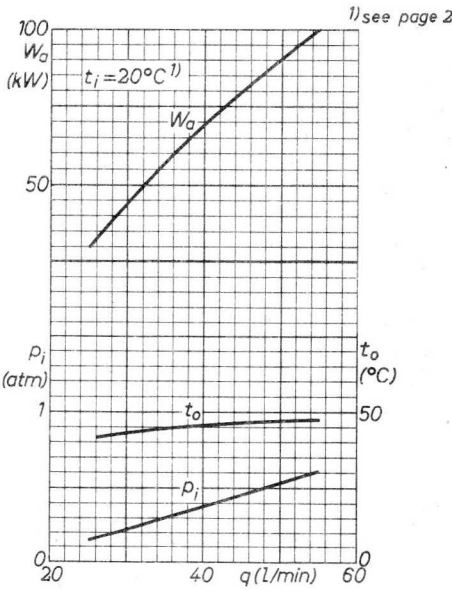
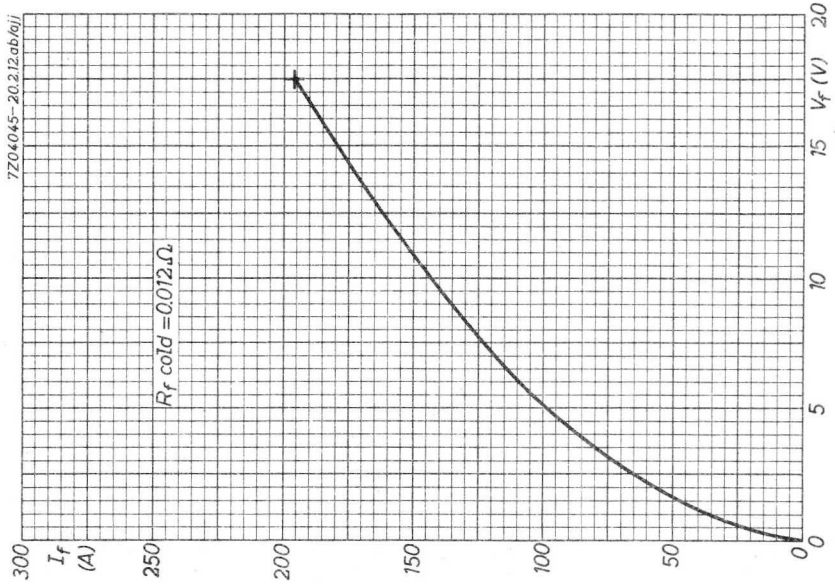
OPERATING CONDITIONS, two tubes in push-pull

Anode voltage	V_a	=	10	10	kV
Grid voltage	V_g	=	-540	-540	V ¹⁾
Load resistance	$R_{aa\sim}$	=	1360	1440	Ω
Driving voltage	V_{ggp}	=	0 1550	0 1300	V
Anode current	I_a	=	2x0.3 2x8	2x0.3 2x5.8	A
Grid current	I_g	=	0 2x0.2	0 2x0.15	A
Anode input power	W_{i_a}	=	2x3 2x80	2x3 2x58	kW
Anode dissipation	W_a	=	2x3 2x27	2x3 2x26	kW
Driving power	W_{dr}	=	0 2x150	0 2x100	W
Output power	W_o	=	0 106	0 64	kW
Efficiency	η	=	- 67	- 56	%

1) To be adjusted for a zero signal anode current of 0.3 A







AIR COOLED R.F. POWER TRIODE

QUICK REFERENCE DATA

Freq. (MHz)	C teleg.		C an. mod.		C industr. osc.		B mod 1)	
	V _a (kV)	W _o (kW)	V _a (kV)	W _o (kW)	V _a (kV)	W _o (kW)	V _a (kV)	W _o (kW)
30	12	108	10	83	12	124	10	106
	10	75	10	58	12	108	10	64
					10	75		

HEATING: direct; filament thoriated tungsten

Filament voltage	V _f	=	17.5	V
Filament current	I _f	=	196	A
Filament peak current	I _{fp}	max.	420	A
Cold filament resistance	R _{fo}	=	0.012	Ω

CAPACITANCES

Anode to all other elements except grid	C _a	=	2.2	pF
Grid to all other elements except anode	C _g	=	122	pF
Anode to grid	C _{ag}	=	75	pF

TYPICAL CHARACTERISTICS

Anode voltage	V _a	=	3	10	kV
Anode current	I _a	=	50	5	A
Amplification factor	μ	=	25	25	
Mutual conductance	S	=	140	60	mA/V

1) Two tubes

TEMPERATURE LIMITS (Absolute limits)

Temperature of all seals = max. 180 °C

AIR COOLING CHARACTERISTICS ; see also cooling curves

W_a (kW)	h (m)	t_i (°C)	q_{min} (m ³ /min)	P_i (mm H ₂ O)
30	0	35	35	114
	0	45	40	143
	1500	35	42	136
	3000	25	44	132
45	0	35	54	275
	0	45	62.5	335
	1500	35	64.5	322
	3000	25	68	319

When the tube is used at frequencies above 6 MHz special attention must be paid to the anode and grid seal temperatures. For frequencies below 20 MHz cooling of these seals can be effected by air flowing through the slots at the top of the cooler. In certain cases, e.g. at low dissipation and cooling with the minimum quantity of air (according to the cooling curves), the air flow to the seals will not be sufficient to maintain the seal temperatures below 180 °C. In these cases and also if it is preferred to close the slots, cooling of the seals should be effected by a separate air flow to the seals.

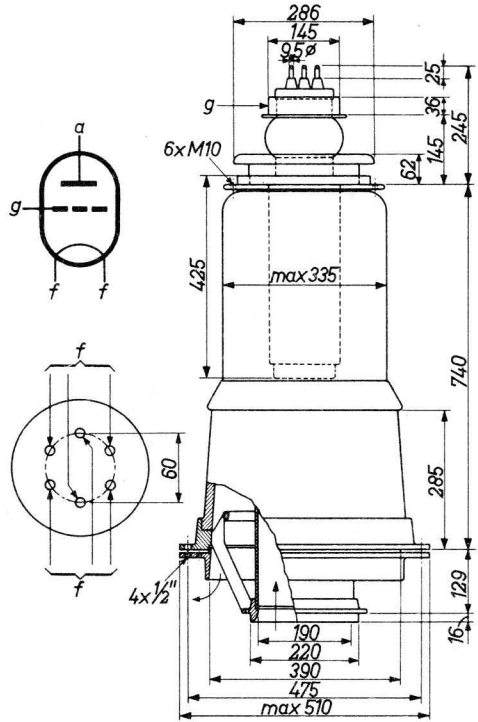
When using the filament connectors type 40628, together with connecting leads of adequate cross-section, additional air cooling of the filament terminals is, as a rule, not necessary.

Care should be taken to ensure firm contact of the filament terminals in order to obtain equal distribution of current over these terminals.

MECHANICAL DATA

Dimensions in mm

- Filament connectors : 40628
- Cooler housing : K506
- Net mass of tube : 26 kg
- Net mass of K506 : 72 kg



Tube mounted in cooler housing type K506

Mounting position : vertical with anode down

When connecting the filament the three pins of each group must be joined.

R.F. CLASS C TELEGRAPHY

LIMITING VALUES (Absolute limits)

Frequency	f	up to	4	15	30	MHz
Anode voltage	V_a	= max.	15	13.5	12.5	kV
Anode current	I_a	= max.	12.5	12.5	12.5	A
Anode input power	W_{i_a}	= max.	165	165	150	kW
Anode dissipation	W_a	= max.	45	45	45	kW
Negative grid voltage	$-V_g$	= max.	1200	1200	1200	V
Grid current	I_g	= max.	1.2	1.2	1.2	A

OPERATING CONDITIONS

Frequency	f	=	30	30	MHz
Anode voltage	V_a	=	12	10	kV
Grid voltage	V_g	=	-1000	-800	V
Grid driving voltage	V_{g_p}	=	1500	1200	V
Anode current	I_a	=	12	10	A
Grid current	I_g	=	0.75	0.75	A
Anode input power	W_{i_a}	=	144	100	kW
Anode dissipation	W_a	=	36	25	kW
Driving power	W_{dr}	=	1100	850	W
Output power	W_o	=	108	75	kW
Efficiency	η	=	75	75	%

R.F. CLASS C ANODE MODULATION

LIMITING VALUES (Absolute limits)

Frequency	f	up to	30	MHz
Anode voltage	V_a	= max.	10.5	kV
Anode current	I_a	= max.	10.5	A
Anode input power	W_{i_a}	= max.	110	kW
Anode dissipation	W_a	= max.	30	kW
Negative grid voltage	$-V_g$	= max.	1200	V
Grid current	I_g	= max.	1.3	A

OPERATING CONDITIONS

Frequency	f	=	30	30	MHz
Anode voltage	V_a	=	10	10	kV
Grid voltage	V_g	=	-1050	-1050	V ¹⁾
Grid driving voltage	V_{g_p}	=	1550	1450	V
Anode current	I_a	=	10.5	7.4	A
Grid current	I_g	=	1.1	0.8	A
Anode input power	W_{i_a}	=	105	74	kW
Anode dissipation	W_a	=	22	16	kW
Driving power	W_{dr}	=	1650	1100	W
Output power	W_o	=	83	58	kW
Efficiency	η	=	79	79	%
Modulation depth	m	=	100	100	%
Modulation power	W_{mod}	=	53	37	kW

¹⁾ Grid bias partly obtained by a grid resistor

R.F. CLASS C OSCILLATOR for industrial use with anode voltage from three-phase rectifier without filter

LIMITING VALUES (Absolute limits)

Frequency	f	up to	30 MHz
Anode voltage	V_a	= max.	13 kV
Anode current	I_a	= max.	15 A
Anode input power	W_{i_a}	= max.	180 kW
Anode dissipation	W_a	= max.	45 kW
Negative grid voltage	$-V_g$	= max.	1600 V
Grid current, loaded	I_g	= max.	1.0 A
Grid current, unloaded	I_g	= max.	1.4 A
Grid circuit resistance	R_g	= max.	10 k Ω

OPERATING CONDITIONS

Frequency	f	=	30	30	30 MHz
Anode voltage	V_a	=	12	12	10 kV
Anode current	I_a	=	14	12	10 A
Grid current	I_g	=	0.9	0.75	0.75 A
Grid circuit resistance	R_g	=	1100	1350	1100 Ω
Feedback ratio	$V_{g\sim}/V_{a\sim}$	=	15	14	14 %
Anode input power	W_{i_a}	=	168	144	100 kW
Anode dissipation	W_a	=	44	36	25 kW
Output power	W_o	=	124	108	75 kW
Efficiency	η	=	74	75	75 %
Output power in the load	W_ℓ	=	104	91	63 kW ¹⁾

¹⁾ Useful power in the load measured in a circuit having an efficiency of 85%

A.F. CLASS B AMPLIFIER AND MODULATOR

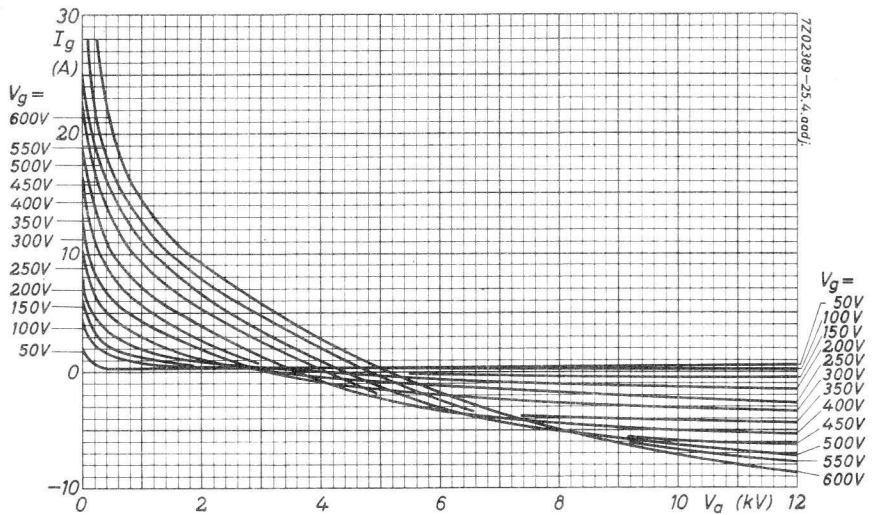
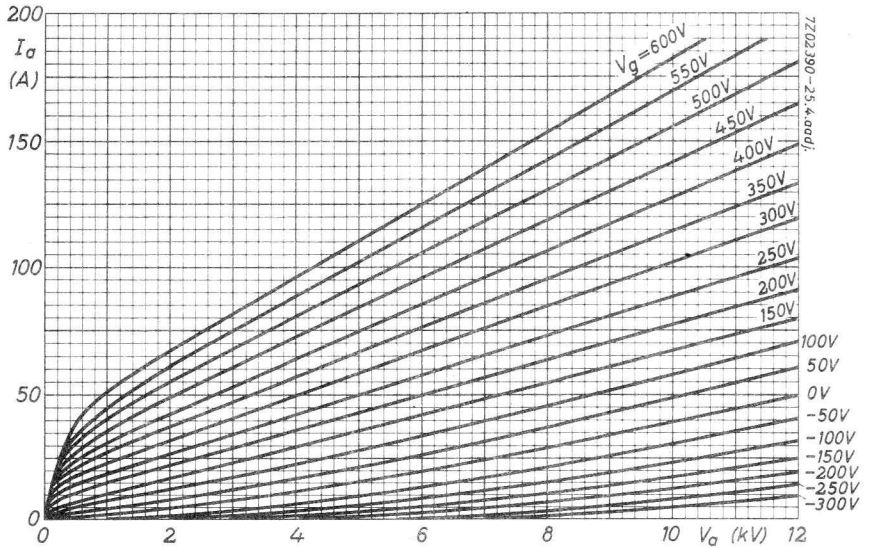
LIMITING VALUES (Absolute limits)

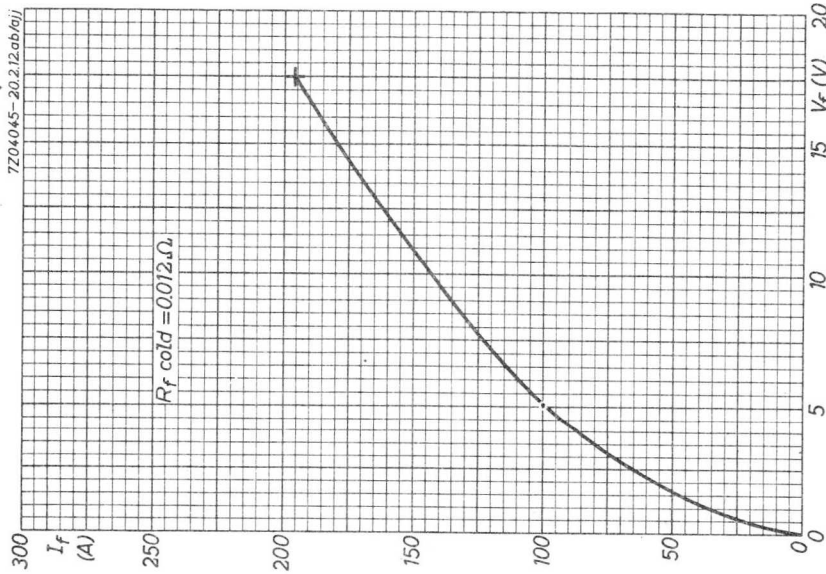
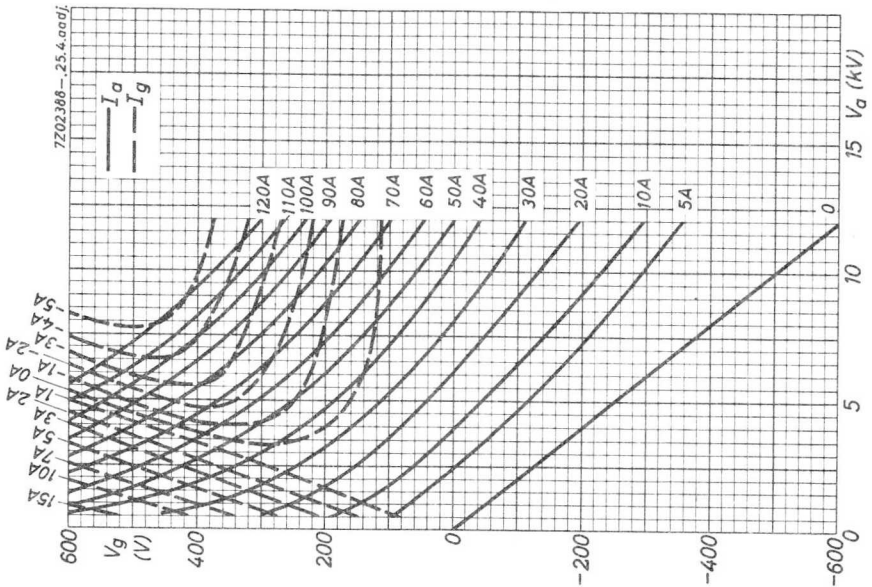
Anode voltage	V_a	= max.	15	kV
Anode current	I_a	= max.	12	A
Anode input power	W_{i_a}	= max.	162	kW
Anode dissipation	W_a	= max.	45	kW
Negative grid voltage	$-V_g$	= max.	1200	V
Grid current	I_g	= max.	1.2	A

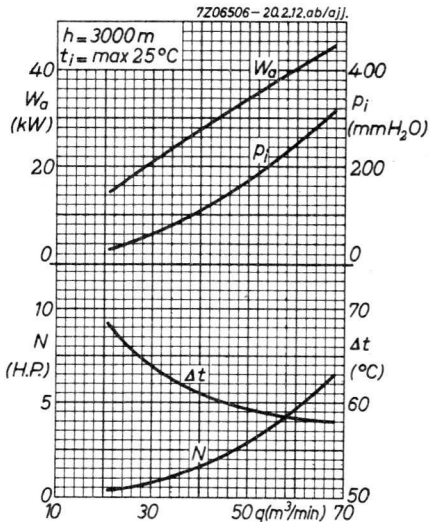
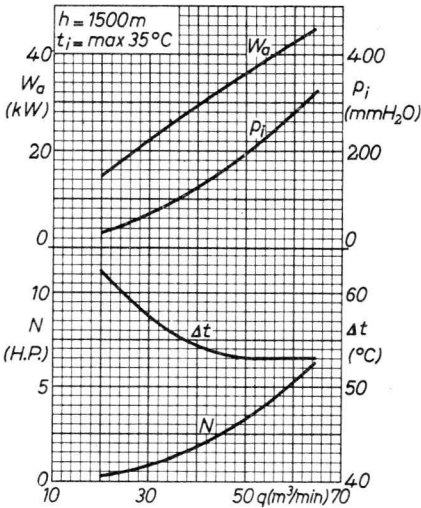
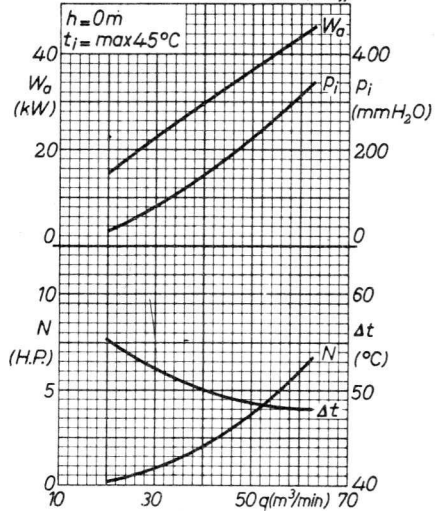
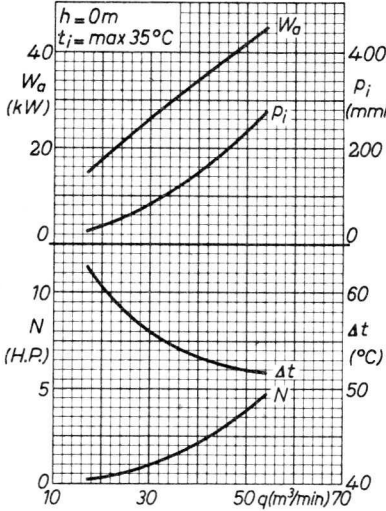
OPERATING CONDITIONS, two tubes in push-pull

Anode voltage	V_a	=	10	10	kV
Grid voltage	V_g	=	-540	-540	V ¹⁾
Load resistance	$R_{aa\sim}$	=	1360	1440	Ω
Driving voltage	V_{ggp}	=	0 1550	0 1300	V
Anode current	I_a	=	2x0.3 2x8	2x0.3 2x5.8	A
Grid current	I_g	=	0 2x0.2	0 2x0.15	A
Anode input power	W_{i_a}	=	2x3 2x80	2x3 2x58	kW
Anode dissipation	W_a	=	2x3 2x27	2x3 2x26	kW
Driving power	W_{dr}	=	0 2x150	0 2x100	W
Output power	W_o	=	0 106	0 64	kW
Efficiency	η	=	- 67	- 56	%

¹⁾ To be adjusted for a zero signal anode current of 0.3 A







8728
8729
8730

YD1150
YD1151
YD1152

INDUSTRIAL R.F. TRIODE

Triodes in metal-ceramic construction, intended for use as industrial oscillators. The YD1150 is forced-air cooled, with integral cooler. The YD1151 is water cooled by means of a separate jacket. The YD1152 has an integral helical water cooler.

QUICK REFERENCE DATA

Oscillator output power ($W_o - W_{feedb}$), typical	W_{osc}	4,75	kW
Frequency for full ratings	f	max. 85	MHz

To be read in conjunction with "General Operational Recommendations Transmitting Tubes for Communication, Tubes for R.F. Heating".

R.F. CLASS-C OSCILLATOR FOR INDUSTRIAL USE

OPERATING CONDITIONS

Frequency	f	160	27, 12	27, 12	MHz
Filament voltage	V_f	6,0	6,3	6,3	V
Oscillator output power ($W_o - W_{feedb}$)	W_{osc}	3,75	4,75	3,85	kW
Anode voltage	V_a	5	6	5	kV
Anode current	I_a	1	1	1	A
Anode input power	W_{ia}	5	6	5	kW
Anode dissipation	W_a	1,03	1,0	0,93	kW
Anode output power	W_o	3,97	5,0	4,07	kW
Anode efficiency	η_a	79,4	83,3	81,4	%
Oscillator efficiency	η_{osc}	75,0	79,1	77,0	%
Feedback ratio	V_{gp}/V_{ap}	17	17	17	%
Grid resistor	R_g	2,0	2,5	2,0	k Ω
Grid current, on load	I_g	260	250	260	mA
Grid voltage, negative	$-V_g$	520	625	520	V
Grid dissipation	W_g	80	90	80	W
Grid resistor dissipation	W_{Rg}	135	156	135	W

LIMITING VALUES (Absolute max. rating system)

Frequency	f	up to	85	160	MHz
Anode voltage	V_a	max.	7,2	6,0	kV
Anode current	I_a	max.	1,1	1,1	A
Anode input power	W_{ia}	max.	6,5	6,0	kW
Anode dissipation	W_a	max.	2,5	2,5	kW
Grid voltage	$-V_g$	max.	1	1	kV
Grid current, on load	I_g	max.	280	280	mA
off load	I_g	max.	400	400	mA
Grid dissipation	W_g	max.	150	150	W
Grid circuit resistance	R_g	max.	20	20	$k\Omega$
Cathode current, mean	I_k	max.	1,4	1,4	A
peak	I_{kp}	max.	7,5	7,5	A
Envelope temperature	t_{env}	max.	240		$^{\circ}C$

HEATING: direct; thoriated tungsten filament

Filament voltage (< 120 MHz)	V_f		6,3	V
(> 120 MHz)	V_f		6,0	V
Filament current at $V_f = 6,3$ V	I_f		33	A

The filament is designed to accept temporary fluctuations of +5% and -10%.

It is extremely important that the filament be properly decoupled. This should be so done that the resonance of the circuit formed by the filament and decoupling elements remains below the fundamental oscillator frequency. In grounded-grid circuits this resonance should be below the grid-cathode resonance. For further information please see Application Book "Tubes for R. F. heating" or contact the manufacturer.

CAPACITANCES

Anode to filament	C_{af}	0,4	pF
Grid to filament	C_{gf}	17	pF
Anode to grid	C_{ag}	14	pF

CHARACTERISTICS measured at $V_a = 2,0$ kV, $I_a = 0,5$ A

Transconductance	S	10	mA/V
Amplification factor	μ	20	

COOLING

See also cooling curves.

To obtain optimum life, the temperature of the seals and of the envelope should, under normal operating conditions, be kept below 200 °C.

YD1150

With insulating pedestal type 40630

Anode + grid dissipation $W_a + W_g$ (kW)	Altitude h (m)	Inlet temperature t_j (°C)	Rate of flow q_{min} (m ³ /min)	Pressure drop p_i (Pa *)	Outlet temperature t_o (°C)
1	0	35	1, 25	32	83
	0	45	1, 9	50	78
3	0	35	5, 7	170	64
	0	45	6, 1	184	73

YD1151

With jacket K713

Anode + grid dissipation $W_a + W_g$ (kW)	Inlet temperature t_j (°C)	Rate of flow q_{min} (l/min)	Pressure drop p_i (kPa *)
1	20	2, 5	11
	50	3, 0	12
3	20	3, 0	14
	50	6, 8	38

Absolute max. water inlet temperature t_j max. 50 °C

A low velocity air flow may be required for cooling of the seals at frequencies above 4 MHz.

*) 1 Pa ≈ 0, 1 mm H₂O ; 100k Pa ≈ 1 at.

YD1152

Anode + grid dissipation $W_a + W_g$ (kW)	Inlet temperature t_i (°C)	Rate of flow q_{min} (ℓ/min)	Pressure drop P_i (kPa *)
1	20	0,9	5
	50	1,4	6
3	20	2,2	14
	50	4,1	27

Absolute max. water inlet temperature t_i max. 50 °C

Absolute max. water pressure p max. 600 kPa (abs)

A low velocity air flow may be required for cooling of the seals at frequencies above 4 MHz.

ACCESSORIES

Filament connector		type 40688
Filament/cathode connector		type 40689
Grid connector	$f \leq 30$ MHz	type 40686
	$f > 30$ MHz	type 40687
Insulating pedestal (YD1150 only)		type 40630 net mass 2,1 kg
Water jacket (YD1151 only)		type K713 net mass 0,52 kg
Gasket (YD1151 only)		code 3322 026 82801

*) 100 kPa \approx 1 at.

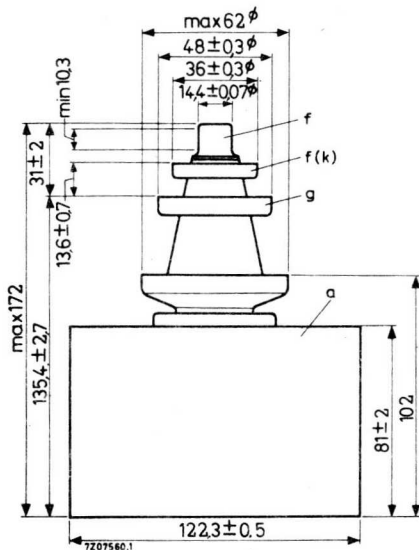
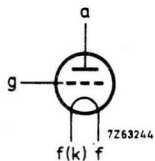
MECHANICAL DATA

Dimensions in mm

YD1150

Mounting position: vertical with anode up or down

Net mass : 3 kg

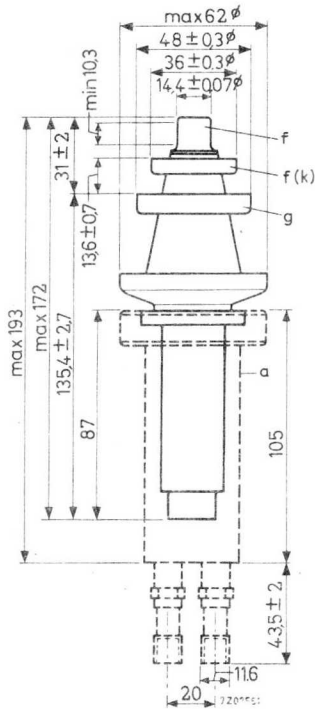


YD1150
YD1151
YD1152

YD1151

Mounting position: vertical with anode down

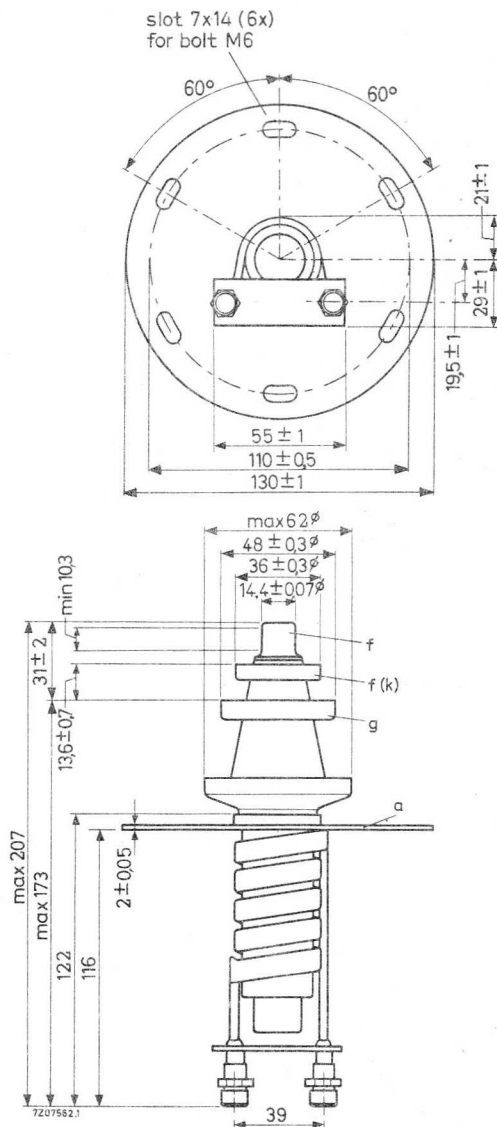
Net mass : 0,65 kg



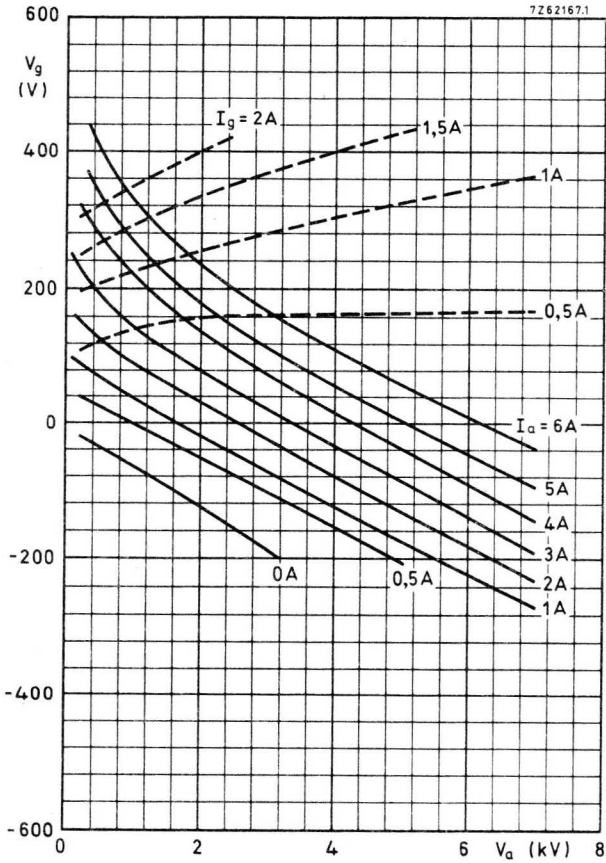
YD1152

Mounting position: vertical with anode down

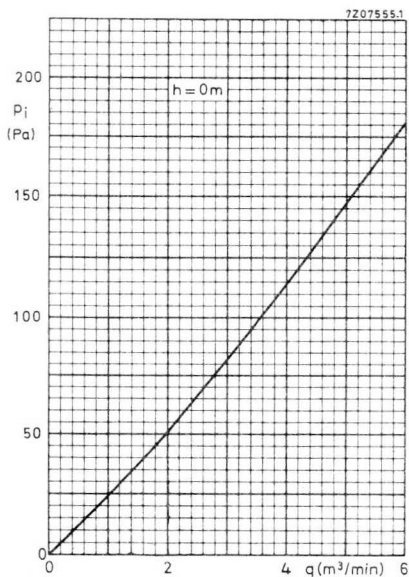
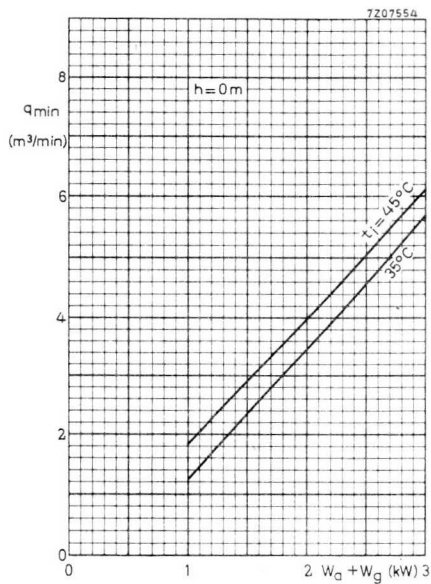
Net mass : 0,85 kg



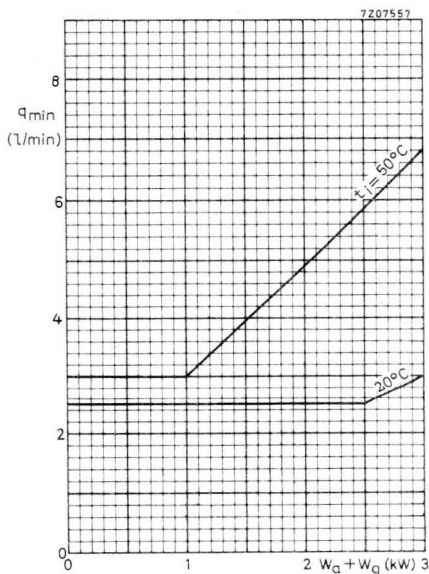
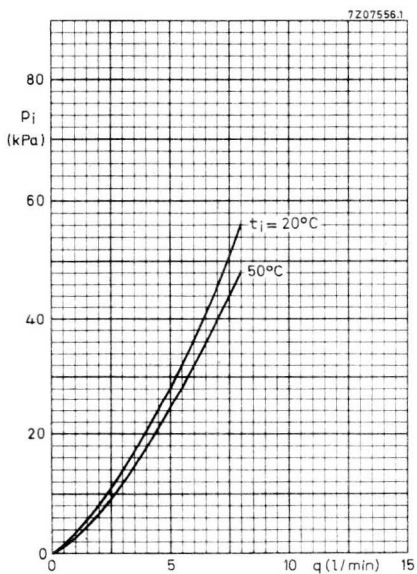
Thread of water connections BSP $\frac{1}{4}$ in.



YD1150



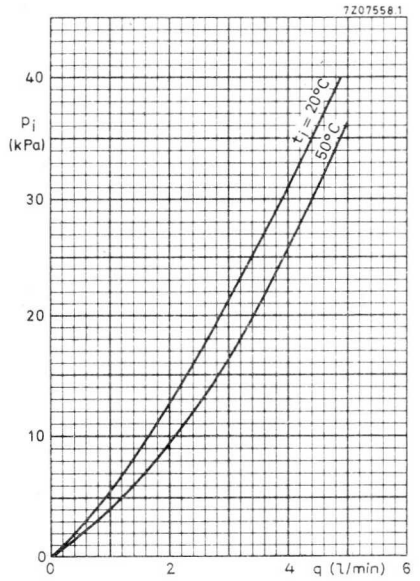
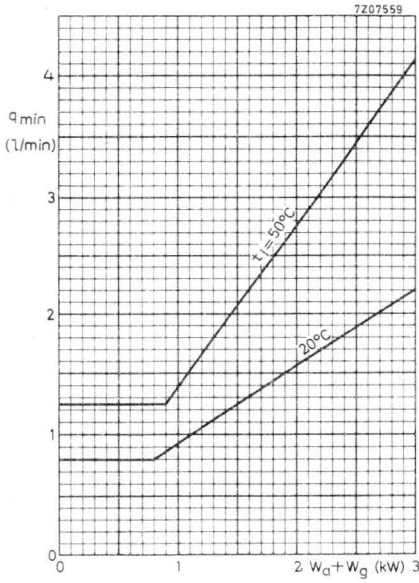
YD1151



1 Pa \approx 0,1 mm H₂O; 100 kPa \approx 1 at.

YD1150
YD1151
YD1152

YD1152



100 kPa \approx 1 at.

INDUSTRIAL R.F. TRIODE

Triodes in metal-ceramic construction intended for use as industrial oscillators.
The YD1160 is forced-air cooled, with integral cooler.
The YD1161 is water cooled by means of a separate jacket.
The YD1162 has an integral helical water cooler.

QUICK REFERENCE DATA

Oscillator output power ($W_o - W_{\text{feedb}}$), typical	W_{osc}	8,8	kW
Frequency for full ratings	f	max.	85 MHz

To be read in conjunction with "General Operational Recommendations Transmitting Tubes for Communication, Tubes for R.F. Heating"

R.F. CLASS C OSCILLATOR FOR INDUSTRIAL USE

OPERATING CONDITIONS

Frequency	f	150	27, 12	27, 12	MHz
Filament voltage	V_f	5,8	6,3	6,3	V
Oscillator output power ($W_o - W_{\text{feedb}}$)	W_{osc}	7,15	8,8	7,5	kW
Anode voltage	V_a	5,0	6,5	6,0	kV
Anode current	I_a	2,0	1,8	1,6	A
Anode input power	W_{ia}	10,0	11,7	9,6	kW
Anode dissipation	W_a	2,45	2,5	1,7	kW
Anode output power	W_o	7,55	9,2	7,9	kW
Anode efficiency	η_a	75,5	78,6	82,3	%
Oscillator efficiency	η_{osc}	71,5	75,2	78,1	%
Feedback ratio	V_{gp}/V_{ap}	15	16	15	%
Grid resistor	R_g	1,0	1,6	1,3	k Ω
Grid current, on load	I_g	480	430	480	mA
Grid voltage, negative	$-V_g$	480	688	624	V
Grid dissipation	W_g	100	110	120	W
Grid resistor dissipation	W_{Rg}	230	296	300	W

YD1160
YD1161
YD1162

LIMITING VALUES (Absolute max. rating system)

Frequency	f	up to	85	150	MHz
Anode voltage	V_a	max.	7,2	6,0	kV
Anode current	I_a	max.	2,2	2,2	A
Anode input power	W_{ia}	max.	12,5	11	kW
Anode dissipation	W_a	max.	5	5	kW
Grid voltage	$-V_g$	max.	1	1	kV
Grid current, on load off load	I_g	max.	550	550	mA
	I_g	max.	750	750	mA
Grid dissipation	W_g	max.	250	250	W
Grid circuit resistance	R_g	max.	20	20	$k\Omega$
Cathode current, mean peak	I_k	max.	2,8	2,8	A
	I_{kp}	max.	15	15	A
Envelope temperature	t_{env}	max.	240	240	$^{\circ}C$

HEATING : direct; filament thoriated tungsten

Filament voltage ($f = 150$ MHz) ($f < 150$ MHz)	V_f	5,8	V
	V_f	6,3	V
Filament current at $V_f = 6,3$ V	I_f	66	A

The filament is designed to accept temporary fluctuations of + 5% and -10%.

It is extremely important that the filament be properly decoupled. This should be so done that the resonance of the circuit formed by the filament and decoupling elements remains below the fundamental oscillator frequency. In grounded-grid circuits this resonance should be below the grid-cathode resonance. For further information please see Application Book "Tubes for R.F. heating" or contact the manufacturer.

CAPACITANCES

Anode to filament	C_{af}	0,5	pF
Grid to filament	C_{gf}	16	pF
Anode to grid	C_{ag}	19	pF

CHARACTERISTICS measured at $V_a = 2$ kV, $I_a = 1$ A.

Transconductance	S	22	mA/V
Amplification factor	μ	20	

COOLING

See also cooling curves.

To obtain optimum life, the temperature of the seals and of the envelope should, under continuously loaded conditions, be kept below 200 °C.

YD1160

Anode + grid dissipation $W_a + W_g$ (kW)	Altitude h (m)	Inlet temperature t_i (°C)	Rate of flow q_{min} (m ³ /min)	Pressure drop P_i (Pa*)	Outlet temperature t_o (°C)
3	0	35	3,6	90	82
3	0	45	4,2	110	87

YD1161

With jacket K726

Anode + grid dissipation $W_a + W_g$ (kW)	Inlet temperature t_i (°C)	Rate of flow q_{min} (ℓ /min)	Pressure drop P_i (kPa*)
3	20	3	16
	50	7	52
5	20	5	34
	50	11, 5	140

Absolute max. water inlet temperature t_i max. 50 °C

A low-velocity air flow may be required for cooling of the seals.

YD1162

Anode + grid dissipation $W_a + W_g$ (kW)	Inlet temperature t_i (°C)	Rate of flow q_{min} (ℓ/min)	Pressure drop P_i (kPa*)
3	20	2, 2	18
	50	4, 3	38
5	20	4, 0	40
	50	8, 0	140

* 1 Pa ≈ 0, 1 mm H₂O; 100 kPa ≈ 1 at.

YD1160
YD1161
YD1162

Absolute max. water inlet temperature t_i max. 50 °C
 Absolute max. water pressure p max. 600 kPa(abs) *
 A low-velocity air flow may be required for cooling of the seals.

ACCESSORIES

Filament connector	type	40688			
Filament/cathode connector	type	40689			
Grid connector	$f \leq 30$ MHz	type	40686		
	$f > 30$ MHz	type	40687		
Insulating pedestal (YD1160 only)	type	40630	net mass	2,1	kg
Water jacket (YD1161 only)	type	K726	net mass	0,73	kg
Gasket (YD1161 only)	code	3322 026 82801			

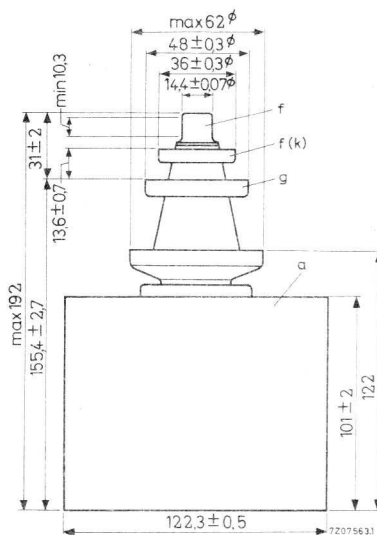
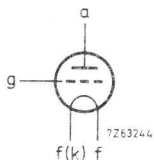
MECHANICAL DATA

Dimensions in mm

YD1160

Mounting position : vertical, with anode up or down

Net mass : approx. 3,9 kg

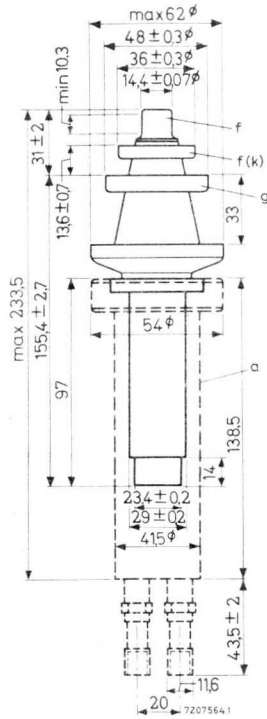


* 100 kPa ≈ 1 at.

YD1161

Mounting position : vertical with anode down

Net mass : approx. 0,66 kg

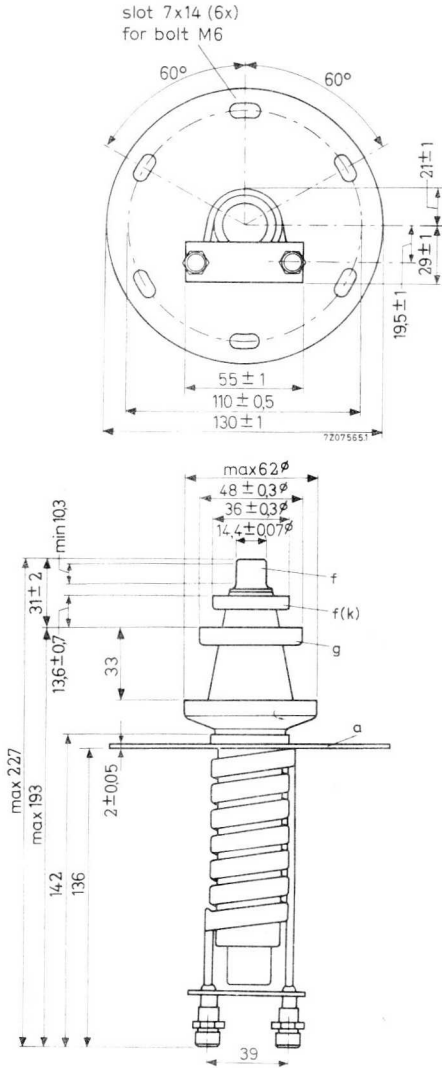


YD1160
 YD1161
 YD1162

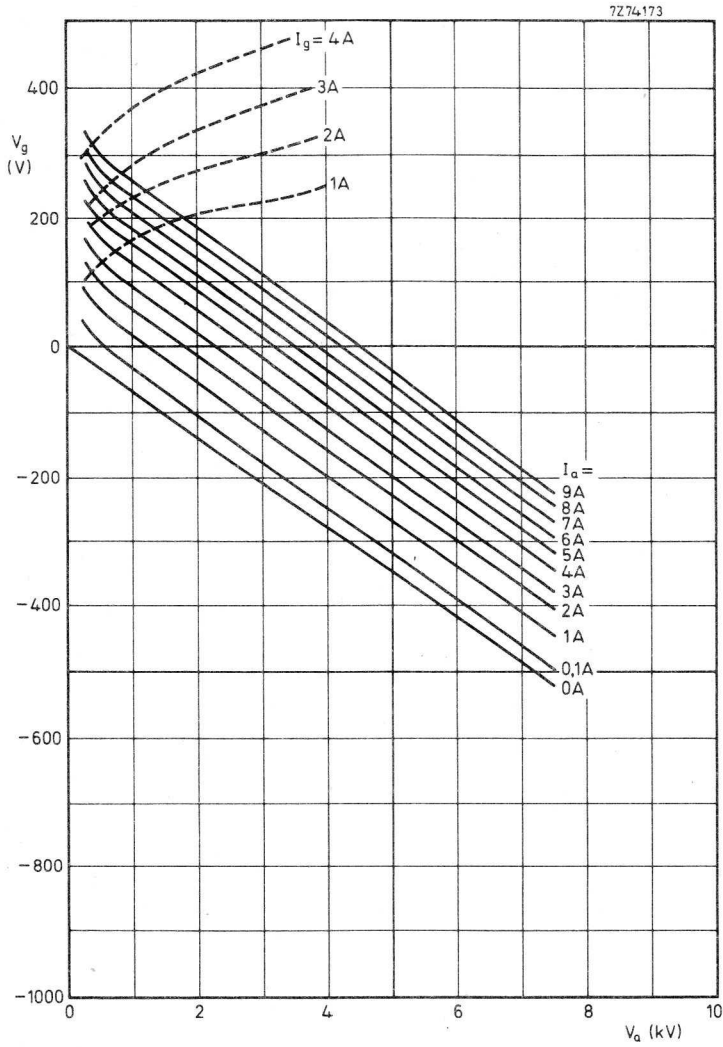
YD1162

Mounting position : vertical with anode up or down

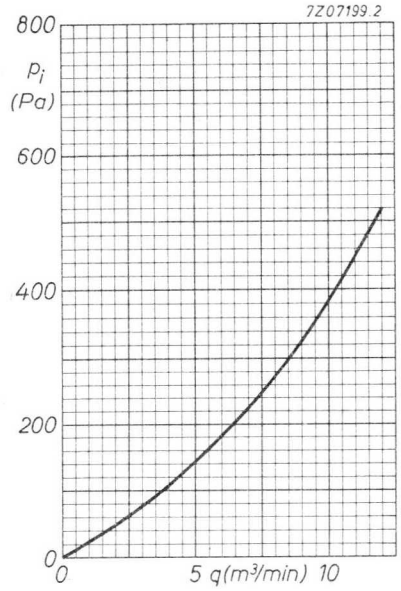
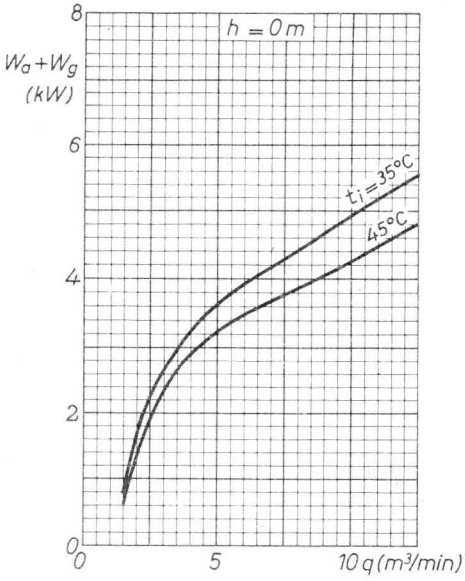
Net mass : approx. 1 kg



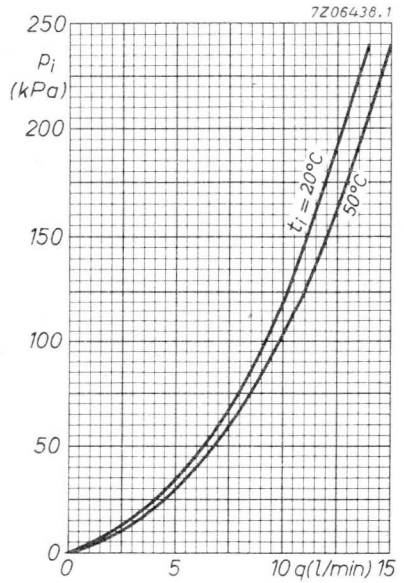
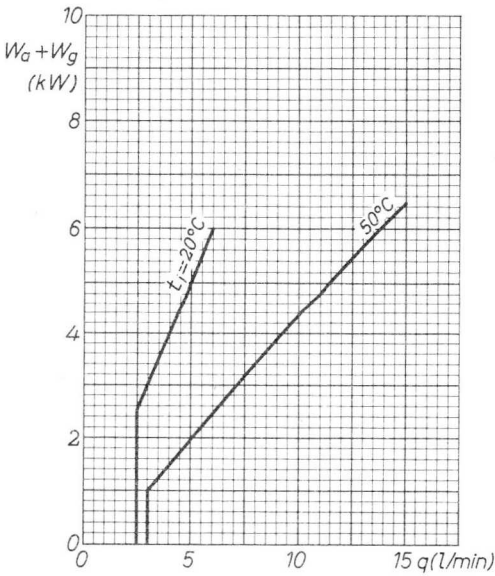
Thread of water connections BSP 3/8 in.



YD1160

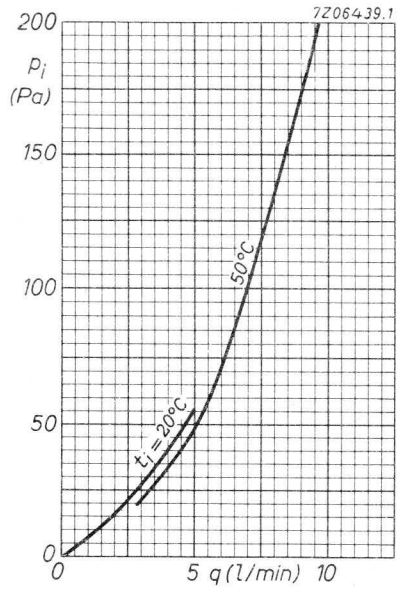
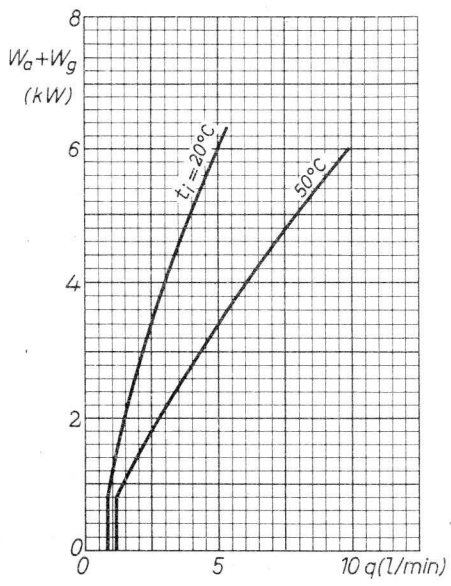


YD1161



1 Pa \approx 0,1 mm H₂O; 100 kPa \approx 1 at.

YD1162



100 kPa \approx 1 at.

INDUSTRIAL R.F. TRIODE

Triodes in metal-ceramic construction intended for use as industrial oscillators.
The YD1170 is forced-air cooled.
The YD1172 has an integral helical water cooler.

QUICK REFERENCE DATA

Oscillator output power ($W_o - W_{\text{fdb}}$)	W_{osc}	15,4	kW
Frequency for full ratings	f max.	120	MHz

To be read in conjunction with "General Operational Recommendations Transmitting Tubes for Communication; Tubes for R. F. Heating".

R.F. CLASS C OSCILLATOR FOR INDUSTRIAL USE

OPERATING CONDITIONS

Frequency	f	120	MHz
Filament voltage	V_f	See under "HEATING"	
Oscillator output power ($W_o - W_{\text{fdb}}$)	W_{osc}	15,4	kW
Anode voltage	V_a	6	kV
Anode current	I_a	3,4	A
Anode input power	W_{ia}	20,4	kW
Anode dissipation	W_a	4,3	kW
Anode output power	W_o	16,1	kW
Anode efficiency	η_a	78,9	%
Oscillator efficiency	η_{osc}	75,5	%
Feedback ratio	V_{gp}/V_{ap}	15,5	%
Grid resistor	R_g	500	Ω
Grid current, on load	I_g	920	mA
Grid voltage, negative	$-V_g$	460	V
Grid dissipation	W_g	280	W
Grid resistor dissipation	W_{Rg}	423	W

LIMITING VALUES (Absolute max. rating system)

Frequency for full ratings	f	up to	120	MHz
Anode voltage	V_a	max.	7,2	kV
Anode current	I_a	max.	4	A
Anode input power	W_{ia}	max.	24	kW
Anode dissipation	W_a	max.	10	kW
Grid voltage	$-V_g$	max.	1,5	kV
Grid current, on load off load	I_g	max.	1	A
	I_g	max.	1,5	A
Grid dissipation	W_g	max.	350	W
Grid circuit resistance	R_g	max.	10	k Ω
Cathode current, mean peak	I_k	max.	5	A
	I_{kp}	max.	25	A
Envelope temperature	t_{env}	max.	240	$^{\circ}C$

HEATING : direct; thoriated tungsten filament

Filament voltage	V_f		5,8	V
Filament current	I_f		130	A
Peak filament starting current	I_{fp}	max.	800	A
Cold filament resistance	R_{fo}		5,6	m Ω

The filament is designed to accept temporary fluctuations of +5% and -10%.

To ensure that the cathode temperature remains constant irrespective of the operating frequency, it may be necessary to reduce the filament voltage at higher frequencies. When doing so it must be borne in mind that the filament voltage-to-current ratio measured with only the filament voltage applied should remain constant under all operating conditions.

It is extremely important that the filament be properly decoupled. This should be so done that the resonance of the circuit formed by the filament and decoupling elements remains below the fundamental oscillator frequency. In grounded-grid circuits this resonance should be below the grid-cathode resonance. For further information please see Application Book "Tubes for R.F. heating" or contact the manufacturer.

CAPACITANCES

Anode to filament	C_{af}		1	pF
Grid to filament	C_{gf}		61	pF
Anode to grid	C_{ag}		32	pF

CHARACTERISTICS measured at $V_a = 6$ kV, $I_a = 2$ A

Transconductance	S	40	mA/V
Amplification factor	μ	30	

COOLING

To obtain optimum life, the temperature of the seals and of the envelope should, under normal operating conditions, be kept below 200 °C.

To maintain these temperatures additional cooling may be necessary. At frequencies higher than about 4 MHz cooling of the seals becomes mandatory.

YD1170

See also cooling curves

Anode + grid dissipation $W_a + W_g$ (kW)	Altitude h (m)	Inlet temperature t_i (°C)	Rate of flow q_{min} (m ³ /min)	Pressure drop P_i (Pa*)	Outlet temperature t_o (°C)
10	0	35	9,5	550	94
8	0	35	6,5	280	105
6	0	35	4,5	150	113
4	0	35	3,0	80	117
10	0	45	11,0	690	98
8	0	45	7,6	350	108
6	0	45	5,2	190	115
4	0	45	3,5	100	119
10	1500	35	11,4	630	94
8	1500	35	7,8	320	105
6	1500	35	5,5	170	113
4	1500	35	3,6	90	117
10	3000	25	12,0	620	90
8	3000	25	8,2	320	102
6	3000	25	5,7	170	111
4	3000	25	3,8	90	116

Absolute max. air inlet temperature t_i max. 45 °C

Direction of airflow arbitrary

* 1 Pa \approx 0,1 mm H₂O.

YD1172

See also cooling curves

Anode + grid dissipation $W_a + W_g$ (kW)	Inlet temperature t_i (°C)	Rate of flow Q_{min} (l/min)	Pressure drop P_i (kPa*)	Outlet temperature t_o (°C)
10	20	6,0	25	46
	50	9,0	52	67
8	20	4,5	15	49
	50	6,7	31	69
6	20	3,0	7	53
	50	4,5	15	72

Absolute max. water inlet temperature

t_i

max. 50 °C

Absolute max. water pressure

p

max. 600 kPa(abs)

*100 kPa \approx 1 at.

ACCESSORIES

Filament connector with cable	40692	net mass	450	g
Filament/cathode connector with cable	40693	net mass	490	g
Grid connector	f	f ≤ 4 MHz	40690	net mass 55 g
		f > 4 MHz	40691	net mass 240 g
Insulating pedestal (YD1170 only)	40654	net mass	4,25	g

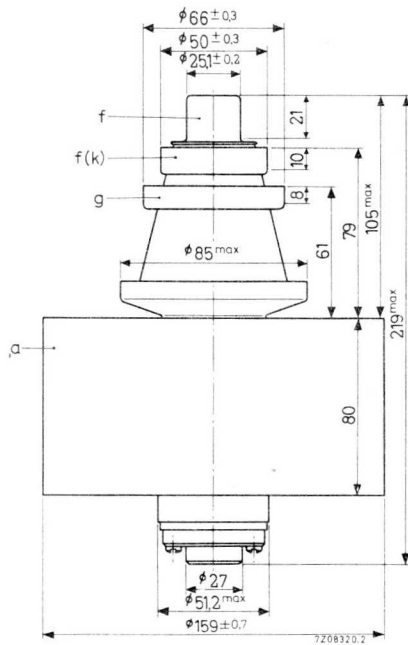
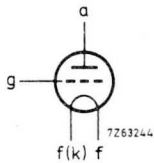
MECHANICAL DATA

Dimensions in mm

YD1170

Mounting position : vertical with anode up or down

Net mass : approx. 7,5 kg

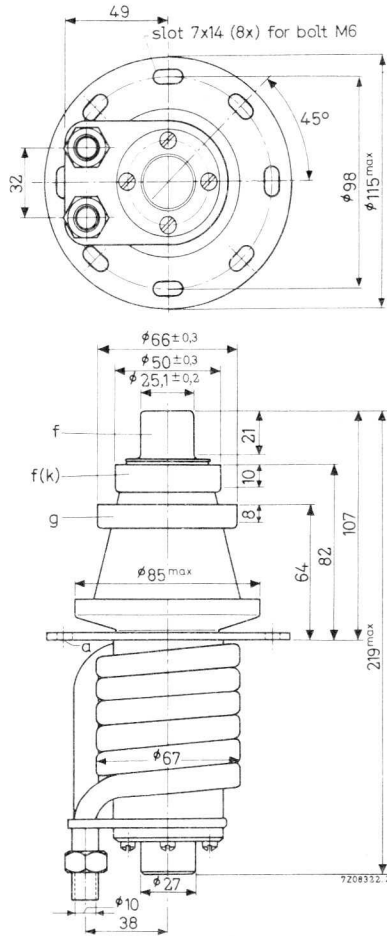


YD1170
YD1172

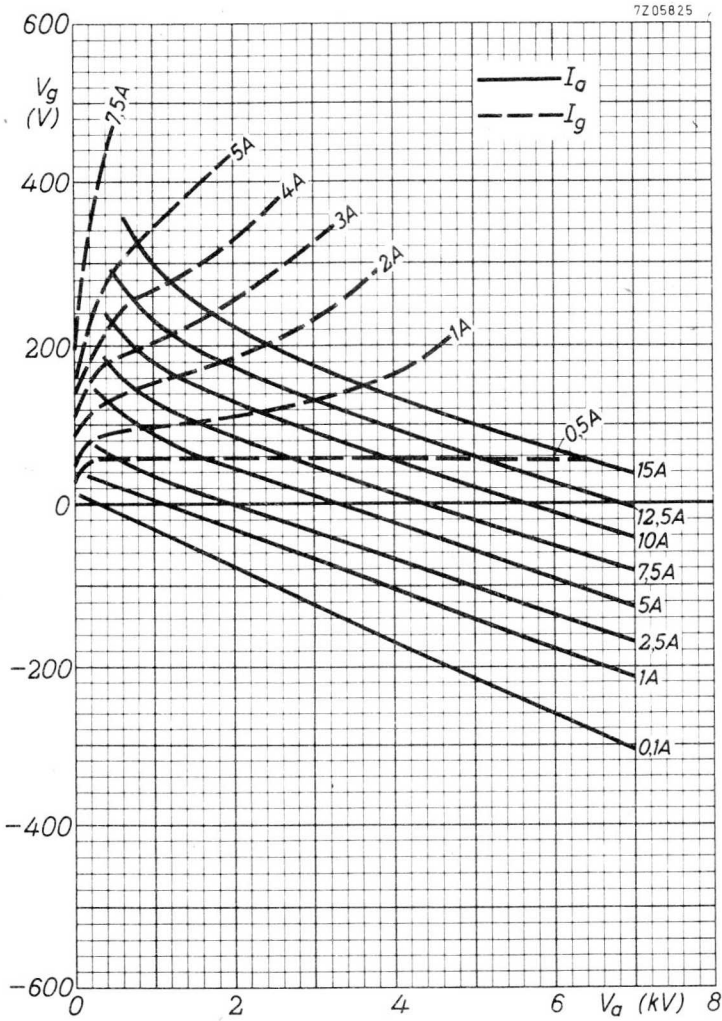
YD1172

Mounting position : vertical with anode up or down

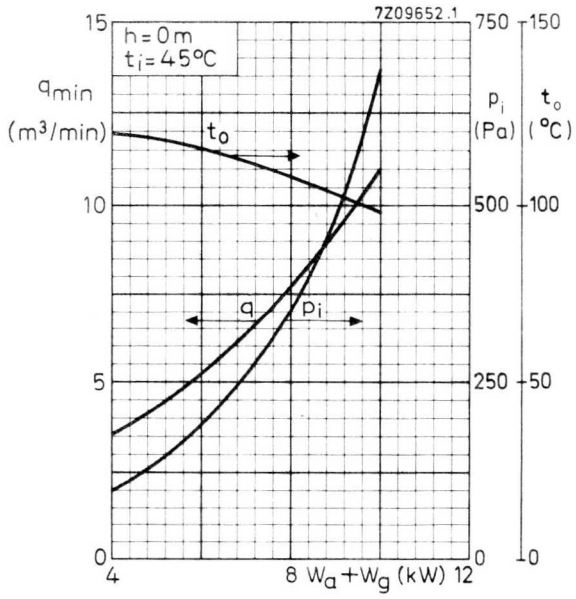
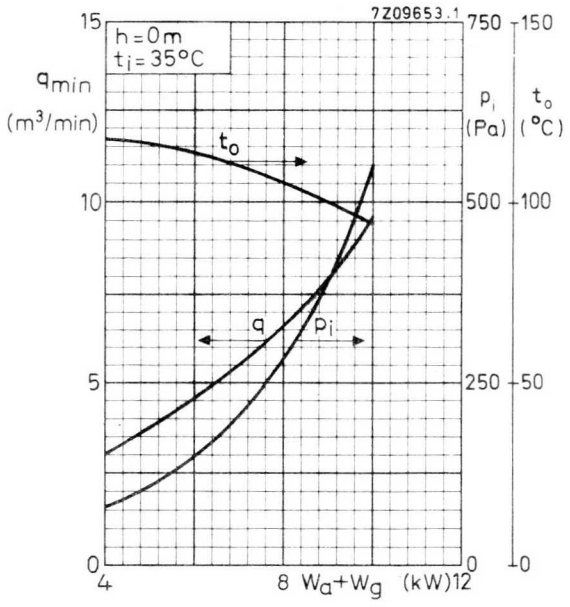
Net mass : approx. 2 kg



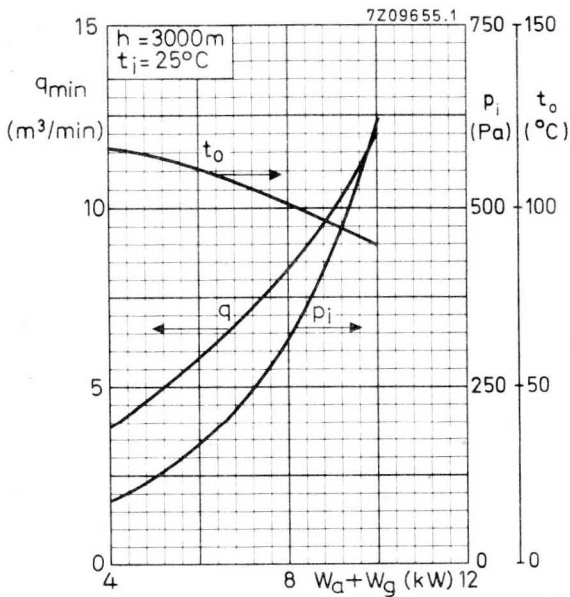
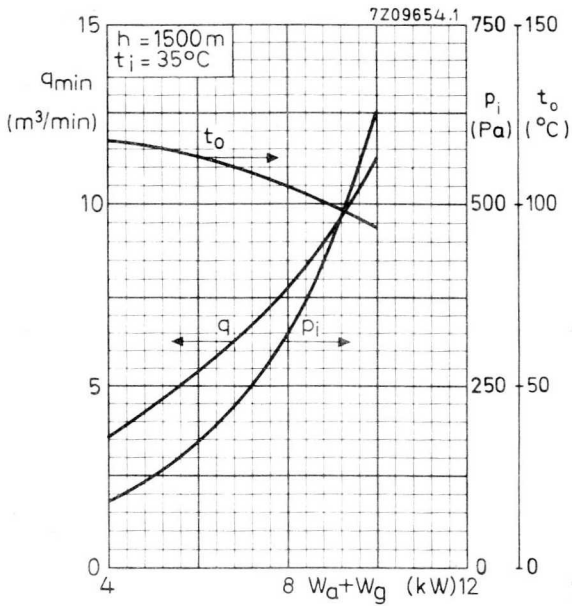
Thread of water connections BSP 3/8 in



YD1170

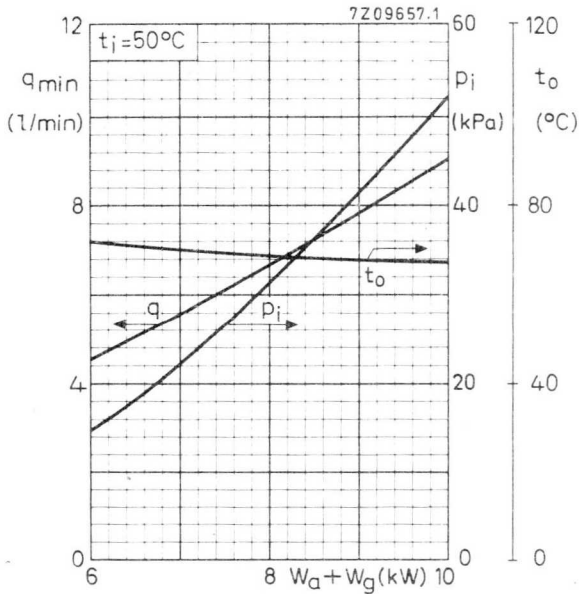
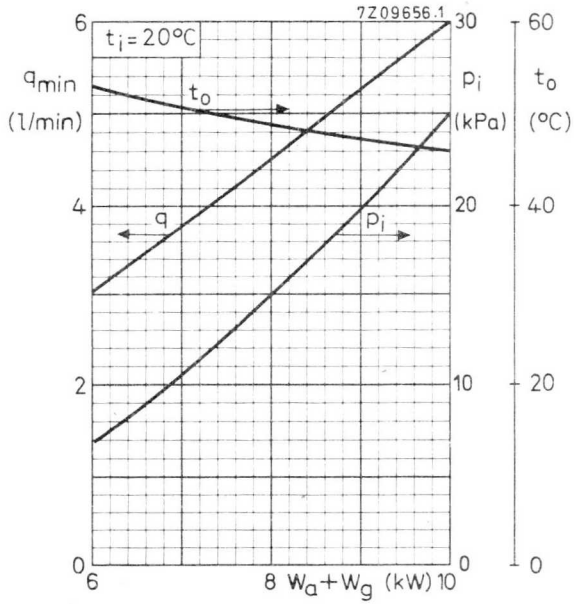


1 Pa \approx 0,1 mm H₂O.



1 Pa \approx 0,1 mm H_2O

YD1172



100 kPa \approx 1 at

AIR COOLED R.F. INDUSTRIAL TRIODE

Forced air cooled triode of metal-ceramic construction with integral cooler intended for use as an industrial oscillator.

QUICK REFERENCE DATA

Oscillator output power ($W_o - W_{\text{feedb}}$), typical	W_{osc}	13.22	kW
Frequency for full ratings	f max.	50	MHz

To be read in conjunction with "General Recommendations Transmitting tubes. Tubes for R.F. heating".

R.F. CLASS C OSCILLATOR FOR INDUSTRIAL USE

OPERATING CONDITIONS

Frequency	f	50	MHz
Oscillator output power ($W_o - W_{\text{feedb}}$)	W_{osc}	13.22	kW
Anode voltage	V_a	10.0	kV
Anode current	I_a	1.75	A
Anode input power	W_{ia}	17.5	kW
Anode dissipation	W_a	3.8	kW
Anode output power	W_o	13.7	kW
Anode efficiency	η_a	78.3	%
Oscillator efficiency	η_{osc}	75.6	%
Feedback ratio	$V_{\text{gp}}/V_{\text{ap}}$	12.0	%
Grid resistor	R_g	1.5	k Ω
Grid current, on load	I_g	450	mA
Grid voltage, negative	$-V_g$	675	V
Grid dissipation	W_g	180	W
Grid resistor dissipation	W_{Rg}	304	W

LIMITING VALUES (Absolute max. rating system)

Frequency for full ratings	f	up to	50	MHz
Anode voltage	V_a	max.	12	kV
Anode current	I_a	max.	2.0	A
Anode input power	W_{ia}	max.	20	kW
Anode dissipation	W_a	max.	10	kW
Grid voltage	$-V_g$	max.	1.5	kV
Grid current, on load	I_g	max.	0.6	A
off load	I_g	max.	0.8	A
Grid dissipation	W_g	max.	250	W
Grid circuit resistance	R_g	max.	10	$k\Omega$
Cathode current, mean	I_k	max.	2.5	A
peak	I_{kp}	max.	10	A
Envelope temperature	t_{env}	max.	240	$^{\circ}C$

HEATING : direct; filament thoriated tungsten

Filament voltage	V_f		5.4	V
Filament current	I_f		65	A
Peak filament starting current	I_{fp}	max.	400	A
Cold filament resistance	R_{fo}		10	$m\Omega$

The filament is designed to accept temporary fluctuations of +5% and -10%.

→ It is extremely important that the filament be properly decoupled. This should be so done that the resonance of the circuit formed by the filament and decoupling elements remains below the fundamental oscillator frequency. In grounded-grid circuits this resonance should be below the grid-cathode resonance. For further information please see Application Book "Tubes for R.F. heating" or contact the manufacturer.

CAPACITANCES

Anode to filament	C_{af}	0.4	pF
Grid to filament	C_{gf}	42	pF
Anode to grid	C_{ag}	17	pF

CHARACTERISTICS measured at $V_a = 10$ kV, $I_a = 0.8$ A

Transconductance	S	14	mA/V
Amplification factor	μ	45	

COOLING

See also cooling curves.

With insulating pedestal type 40654.

Anode + grid dissipation $W_a + W_g$ (kW)	Altitude h (m)	Inlet temperature t_i (°C)	Rate of flow q_{min} (m ³ /min)	Pressure drop P_i (Pa)*	Outlet temperature t_o (°C)
10	0	35	9,5	550	94
8	0	35	6,5	280	105
6	0	35	4,5	150	113
4	0	35	3,0	80	117
10	0	45	11	690	98
8	0	45	7,6	350	108
6	0	45	5,2	190	115
4	0	45	3,5	100	119
10	1500	35	11,4	630	94
8	1500	35	7,8	320	105
6	1500	35	5,5	170	113
4	1500	35	3,6	90	117
10	3000	25	12	620	90
8	3000	25	8,2	320	102
6	3000	25	5,7	170	111
4	3000	25	3,8	90	116

To obtain optimum life, the temperatures of the seals and of the envelope should, under normal operating conditions, be kept below 200 °C.

ACCESSORIES

Filament connector with cable	type	40692	net mass	450	g
Filament/cathode connector with cable	type	40693	net mass	490	g
Grid connector	f ≤ 4 MHz	type	40690	net mass	55 g
	f > 4 MHz	type	40691	net mass	240 g
Insulating pedestal	type	40654	net mass	4,25	kg

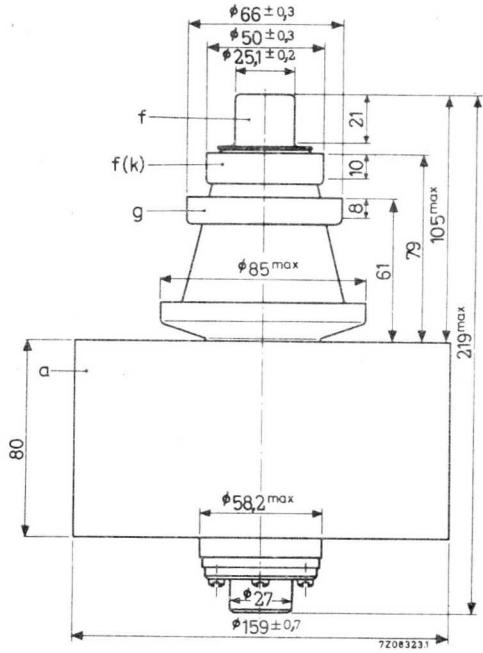
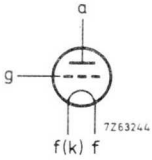
* 1 Pa ≈ 0,1 mmH₂O

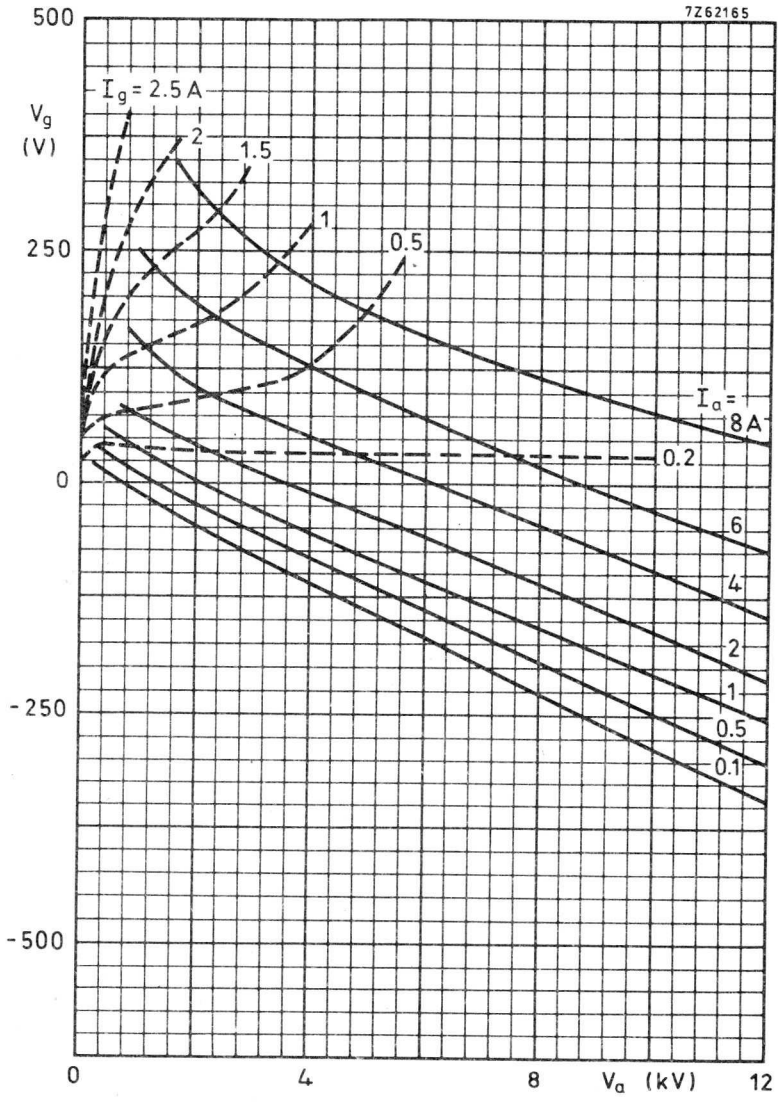
MECHANICAL DATA

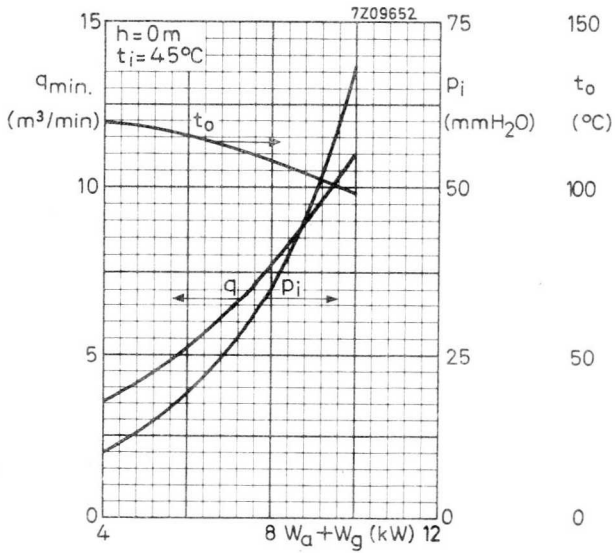
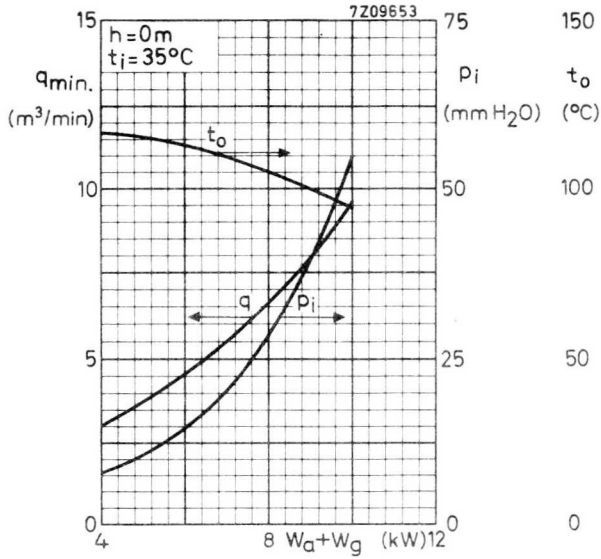
Dimensions in mm

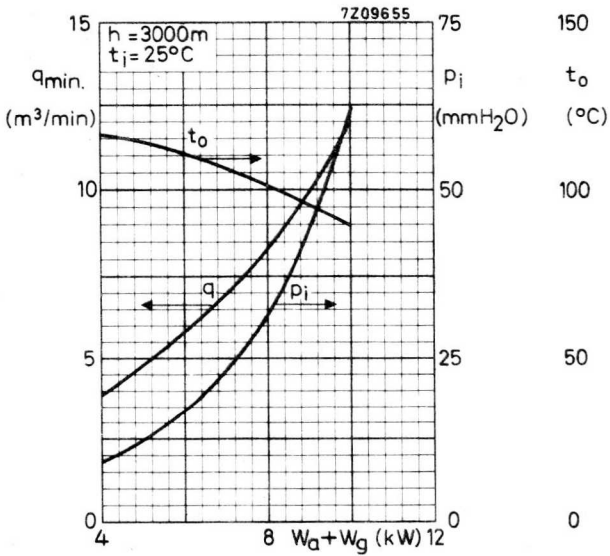
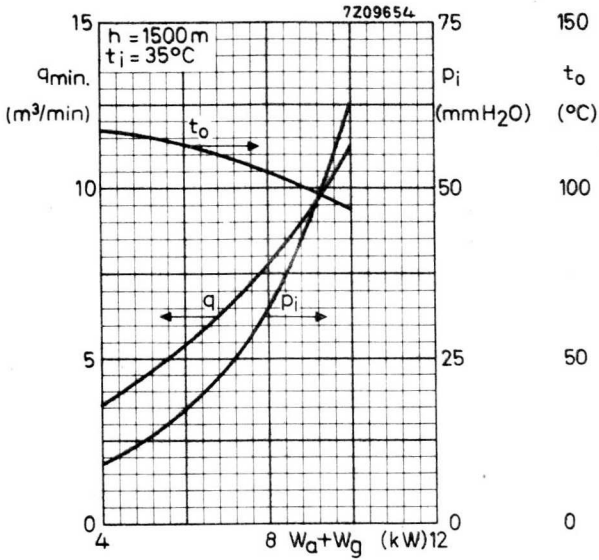
Mounting position : vertical with anode up or down

→ Net mass : approx. 7 kg









INDUSTRIAL R.F. TRIODE

Triodes in metal-ceramic construction intended for use as industrial oscillators.
The YD1175 is forced-air cooled.
The YD1177 has an integral helical water cooler.

QUICK REFERENCE DATA

Oscillator output power ($W_o - W_{\text{feedb}}$), typical	W_{osc}	26,5	kW
Frequency for full ratings	f max	120	MHz

To be read in conjunction with "General Operational Recommendations Transmitting Tubes for Communication; Tubes for R. F. Heating".

R.F. CLASS C OSCILLATOR FOR INDUSTRIAL USE

OPERATING CONDITIONS

Frequency	f	120	120	120	MHz
Oscillator output power ($W_o - W_{\text{feedb}}$)	W_{osc}	15,6	22,0	26,5	kW
Anode voltage	V_a	6	8	10	kV
Anode current	I_a	3,6	3,6	3,4	A
Anode input power	W_{ia}	21,6	28,8	34,0	kW
Anode dissipation	W_a	5,4	6,1	6,8	kW
Anode output power	W_o	16,2	22,7	27,2	kW
Anode efficiency	η_a	75	78,8	80	%
Oscillator efficiency	η_{osc}	72,2	76,3	78,0	%
Feedback ratio	V_{gp}/V_{ap}	12	10	9	%
Grid resistor	R_g	300	400	560	Ω
Grid current, on load	I_g	1,0	1,0	0,9	A
Grid voltage, negative	$-V_g$	300	400	500	V
Grid dissipation	W_g	290	290	240	W
Grid resistor dissipation	W_{Rg}	300	400	450	W

LIMITING VALUES (Absolute max. rating system)

Frequency for full ratings	f	up to	120	MHz ¹⁾
Anode voltage	V_a	max.	12	kV
Anode current	I_a	max.	4	A
Anode input power	W_{ia}	max.	40	kW
Anode dissipation	W_a	max.	15	kW
Grid voltage	$-V_g$	max.	1,5	kV
Grid current, on load off load	I_g	max.	1,1	A
	I_g	max.	1,6	A
Grid dissipation	W_g	max.	350	W
Grid circuit resistance	R_g	max.	10	k Ω
Cathode current, mean peak	I_k	max.	5	A
	I_{kp}	max.	25	A
Envelope temperature	t_{env}	max.	240	$^{\circ}C$

HEATING : direct; filament thoriated tungsten.

Filament voltage	V_f		5,8	V
Filament current	I_f		130	A
Peak filament starting current	I_{fp}	max.	800	A
Cold filament resistance	R_{f0}		5,6	m Ω

The filament is designed to accept temporary fluctuations of + 5 % and - 10 %

To ensure that the cathode temperature remains constant irrespective of the operating frequency it may be necessary to reduce the filament voltage at higher frequencies.

When doing so it must be borne in mind that the filament voltage-to-current ratio, as measured with only the filament voltage applied, should remain constant under all operating conditions

It is extremely important that the filament be properly decoupled. This should be so done that the resonance of the circuit formed by the filament and decoupling elements remains below the fundamental oscillator frequency. In grounded-grid circuits this resonance should be below the grid-cathode resonance. For further information please see Application Book "Tubes for R. F. heating" or contact the manufacturer.

¹⁾ When the tubes are to be used at frequencies above 30 MHz the manufacturer should be consulted for more detailed information.

CAPACITANCES

Anode to filament	C_{af}	0,4	pF
Grid to filament	C_{gf}	47	pF
Anode to grid	C_{ag}	17	pF

CHARACTERISTICS

Transconductance	S	33	mA/V
Amplification factor	μ	44	

COOLING

To obtain optimum life, the temperatures of the seals and of the envelope should, under normal operating conditions, be kept below 200 °C.

To maintain these temperatures additional cooling may be necessary. At frequencies higher than about 4 MHz, cooling of the seals becomes mandatory.

YD1175

See also cooling curves

Anode + grid dissipation $W_a + W_g$ (kW)	Altitude h (m)	Inlet temperature t_i (°C)	Rate of flow q min. (m ³ /min)	Pressure drop P_i (Pa [*])	Outlet temperature t_o (°C)
10	0	35	9,5	550	94
8	0	35	6,5	280	105
6	0	35	4,5	150	113
4	0	35	3,0	80	117
10	0	45	11,0	690	98
8	0	45	7,6	350	108
6	0	45	5,2	190	115
4	0	45	3,5	100	119
10	1500	35	11,4	630	94
8	1500	35	7,8	320	105
6	1500	35	5,5	170	113
4	1500	35	3,6	90	117
10	3000	25	12,0	620	90
8	3000	25	8,2	320	102
6	3000	25	5,7	170	111
4	3000	25	3,8	90	116

Absolute max. air inlet temperature t_i max. 45 °C

Direction of airflow : arbitrary.

*1Pa ≈ 0,1 mmH₂O

YD1175
YD1177

YD1177

See also cooling curves

Anode + grid dissipation $W_a + W_g$ (kW)	Inlet temperature t_i (°C)	Rate of flow q_{min} (ℓ/min)	Pressure drop P_i (kPa*)	Outlet temperature t_o (°C)
15	20	7,5	50	50
	50	11,0	100	71
10	20	5,0	24	51
	50	7,2	47	72
5	20	2,5	7	53
	50	3,7	17	73

Absolute max. water inlet temperature

t_i max 50 °C

ACCESSORIES

Filament connector with cable	type	40692	net mass	450 g
Filament/cathode connector with cable	type	40693	net mass	490 g
Grid connector $f \leq 4$ MHz $f > 4$ MHz	type	40690	net mass	55 g
	type	40691	net mass	240 g
Insulating pedestal (YD1175 only)	type	40654	net mass	4,25 kg

* 100 kPa \approx 1 at

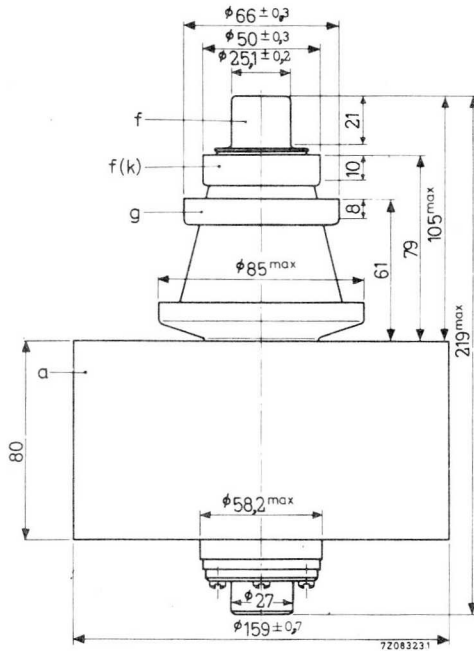
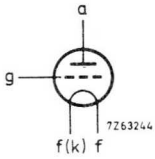
MECHANICAL DATA

Dimensions in mm

YD1175

Mounting position : vertical with anode up or down

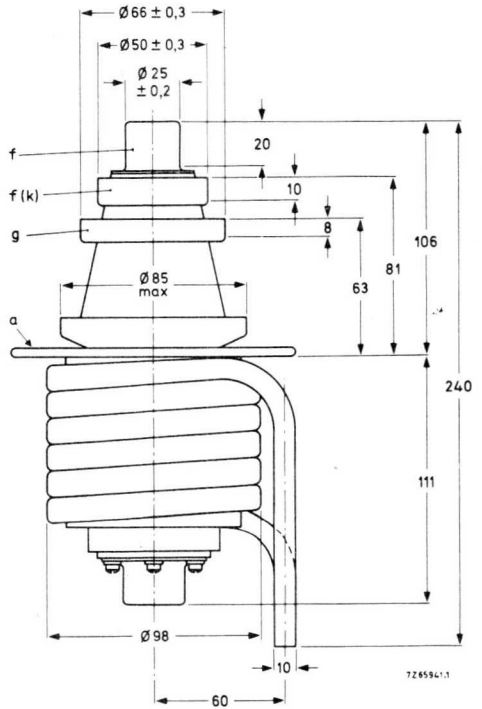
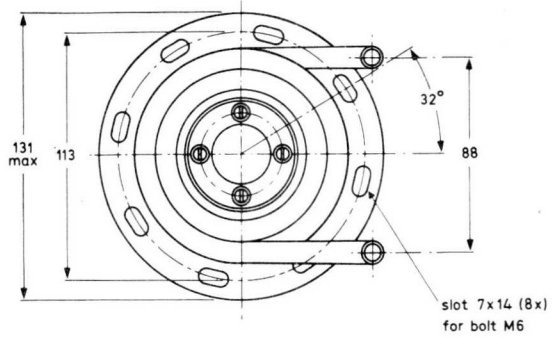
Net weight : mass 7,5 kg



YD1177

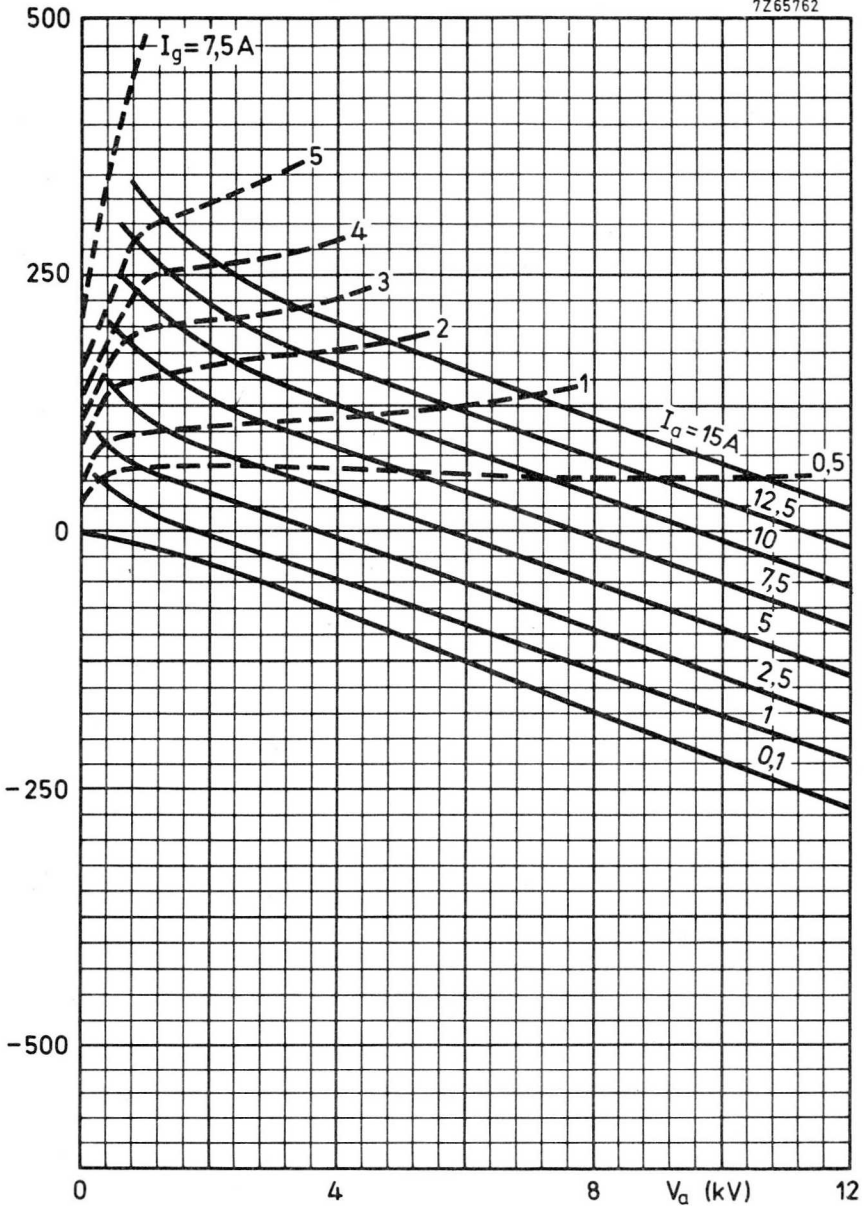
Mounting position : Vertical with anode up or down

Net weight : approx. 6,5 kg

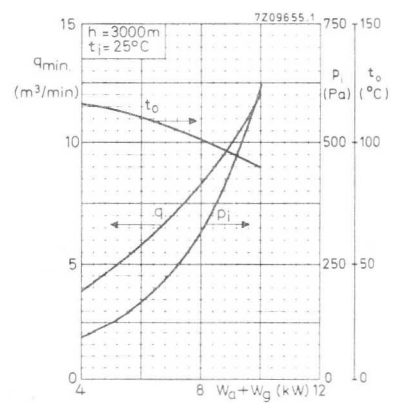
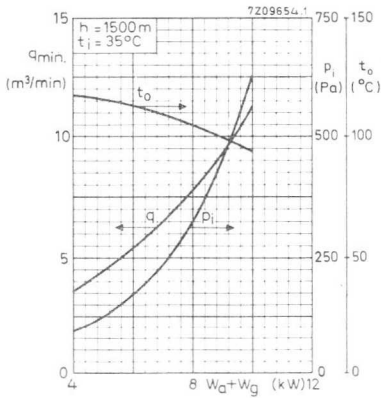
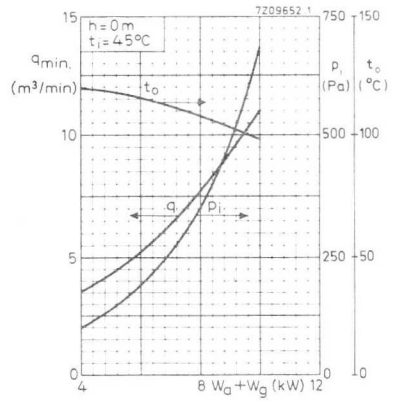
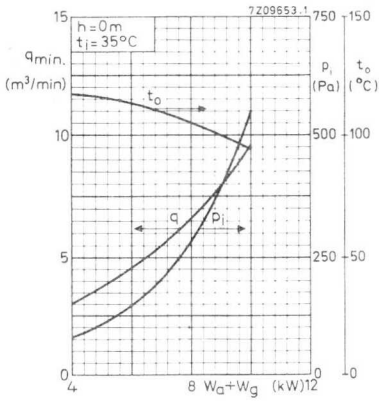


With the anode up the water connections should be interchanged

7Z65762

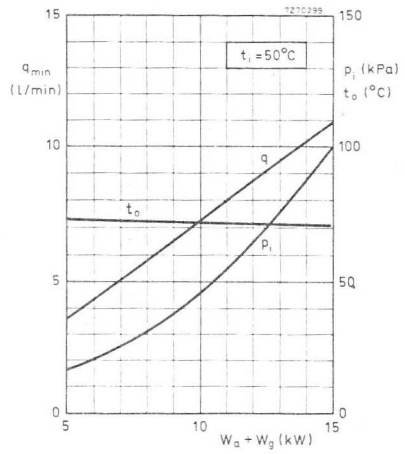
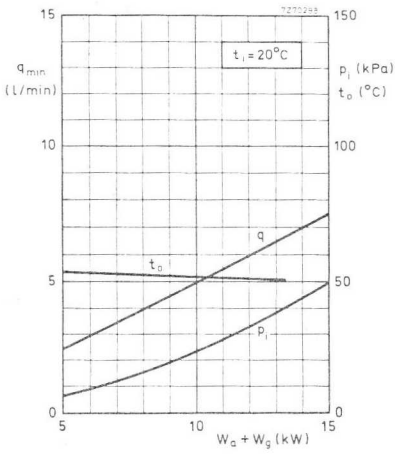


YD1175



* 1 Pa ≈ 0,1 mmH₂O

YD1177



* 100 kPa \approx 1 at

INDUSTRIAL R.F. TRIODE

Triodes in metal-ceramic construction intended for use as industrial oscillators.

The YD1180 is forced-air cooled

The YD1182 is water cooled by an integral cooler.

QUICK REFERENCE DATA

Oscillator output power ($W_o - W_{\text{feedb}}$), typical	W_{osc}	31,6	kW
Frequency for full ratings	f	max. 100	MHz

To be read in conjunction with "General Operational Recommendations Transmitting Tubes for Communication, Tubes for R.F. Heating".

R.F. CLASS C OSCILLATOR FOR INDUSTRIAL USE OPERATING CONDITIONS

Frequency	f	90	MHz
Oscillator output power ($W_o - W_{\text{feedb}}$)	W_{osc}	31,6	kW
Anode voltage	V_a	7,5	kV
Anode current	I_a	5,4	A
Anode input power	W_{ia}	40,5	kW
Anode dissipation	W_a	7,5	kW
Anode output power	W_o	33	kW
Anode efficiency	η_a	81,5	%
Oscillator efficiency	η_{osc}	78	%
Feedback ratio	$V_{\text{gp}}/V_{\text{ap}}$	14,8	%
Grid resistor	R_g	450	Ω
Grid current, on load	I_g	1,45	A
Grid voltage, negative	$-V_g$	652	V
Grid dissipation	W_g	450	W
Grid resistor dissipation	W_{Rg}	946	W

LIMITING VALUES (Absolute max. rating system)

Frequency	f	up to	100	MHz	
Anode voltage	V _a	max.	9	kV	
Anode current	I _a	max.	6	A	
Anode input power	W _{ia}	max.	45	kW	
Anode dissipation: continuous service	(YD1180) (YD1182)	W _a	max.	15	kW
			max.	20	kW
Grid voltage	-V _g	max.	1, 25	kV	
Grid current, on load of load	I _g	max.	1, 6	A	
	I _g	max.	2, 4	A	
Grid dissipation	W _g	max.	500	W	
Grid circuit resistance	R _g	max.	10	kΩ	
Cathode current, mean peak	I _k	max.	7, 5	A	
	I _{kp}	max.	40	A	
Envelope temperature	t _{env}	max.	240	°C	

HEATING : direct; thoriated tungsten filament, mesh construction

Filament voltage	V _f		7	V
Filament current	I _f		175	A
Peak filament starting current	I _{fp}	max.	1000	A
Cold filament resistance	R _{fo}		4, 2	mΩ

The filament is designed to accept temporary fluctuations of +5% and -10%. To ensure that the cathode temperature remains constant irrespective of the operating frequency, it may be necessary to reduce the filament voltage at higher frequencies. When doing so it must be borne in mind that the filament voltage-to-current ratio measured with only the filament voltage applied should remain constant under all operating conditions.

It is extremely important that the filament be properly decoupled. This should be so done that the resonance of the circuit formed by the filament and decoupling elements remains below the fundamental oscillator frequency. In grounded-grid circuits this resonance should be below the grid-cathode resonance. For further information please see Application Book "Tubes for R.F. heating" or contact the manufacturer.

CAPACITANCES

Anode to filament	C _{af}		1	pF
Grid to filament	C _{gf}		61	pF
Anode to grid	C _{ag}		32	pF

CHARACTERISTICS measured at $V_a = 7$ kV, $I_a = 2, 4$ A

Transconductance	S	40 mA/V
Amplification factor	μ	33

COOLING

To obtain optimum life, the temperature of the seals and of the envelope should, under normal operating conditions, be kept below 200 °C.

To maintain these temperatures additional cooling may be necessary.

At frequencies higher than about 4 MHz cooling of the seals becomes mandatory.

YD1180

Direction of airflow: see outline drawing.

See also cooling curves

With insulating pedestal type 40648

Anode+grid dissipation W_a+W_g (kW)	Altitude h (m)	Inlet temperature t_i (°C)	Rate of flow q_{min} (m ³ /min)	Pressure drop P_i (Pa*)	Outlet temperature t_o (°C)
15	0	35	15	850	92
10	0	35	9,3	320	99
8	0	35	7	200	104
15	0	45	17,3	1060	98
10	0	45	10,7	400	104
8	0	45	8,1	250	108
15	1500	35	18	970	93
10	1500	35	11,2	460	100
8	1500	35	8,4	230	104
15	3000	25	19	950	90
10	3000	25	11,8	450	95
8	3000	25	8,9	230	99

* 1 Pa \approx 0,1 mm H₂O

YD1180
YD1182

YD1182

See also cooling curves

Anode + grid dissipation $W_a + W_g$ (kW)	Inlet temperature t_i (°C)	Rate of flow q_{min} (ℓ/min)	Pressure drop P_i (kPa*)	Outlet temperature t_o (°C)
20	20	10	40	51
	50	15	80	71
15	20	7,5	22	54
	50	10,5	43	73
10	20	4,5	10	58
	50	6,7	20	75

Absolute max. water inlet temperature t_i max. 50 °C
 Absolute max. water pressure p max. 600 kPa(abs)

ACCESSORIES

Filament connector with cable	type 40708 net mass	600 g
Filament /cathode connector with cable	type 40709 net mass	640 g
Grid connector $f \leq 4$ MHz	type 40710 net mass	60 g
	$f > 4$ MHz	type 40711 net mass
Insulating pedestal (YD1180 only)	type 40648 net mass	7,15 kg

* 100 kPa \approx 1 at

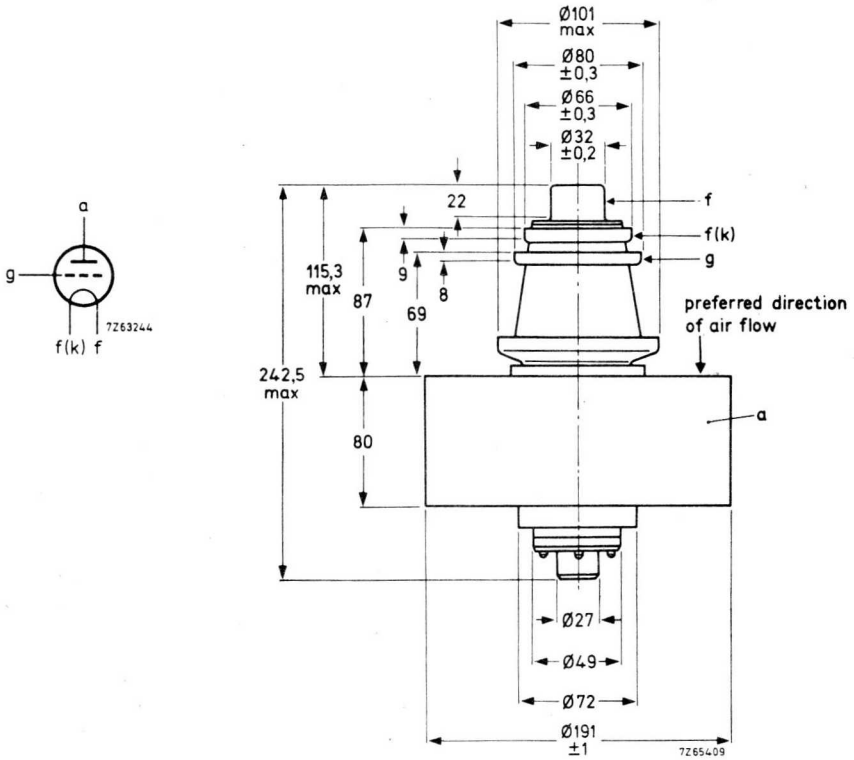
MECHANICAL DATA

Dimensions in mm

YD1180

Mounting position : vertical with anode up or down

Net mass : approx. 12 kg

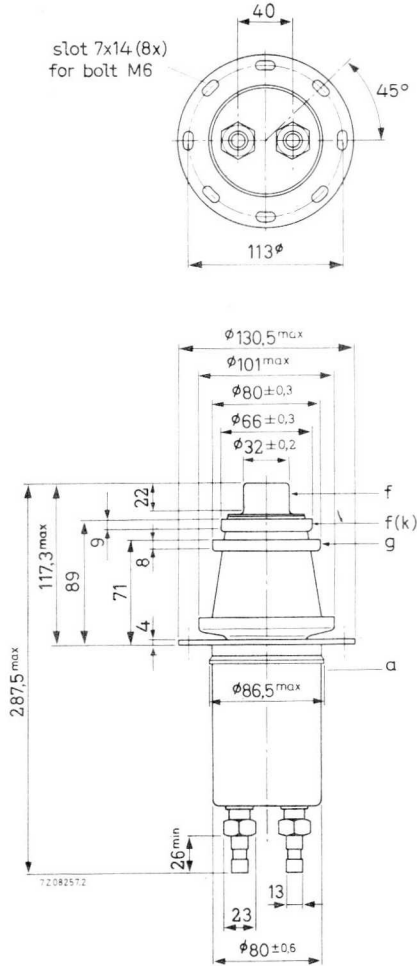


YD1180
YD1182

YD1182

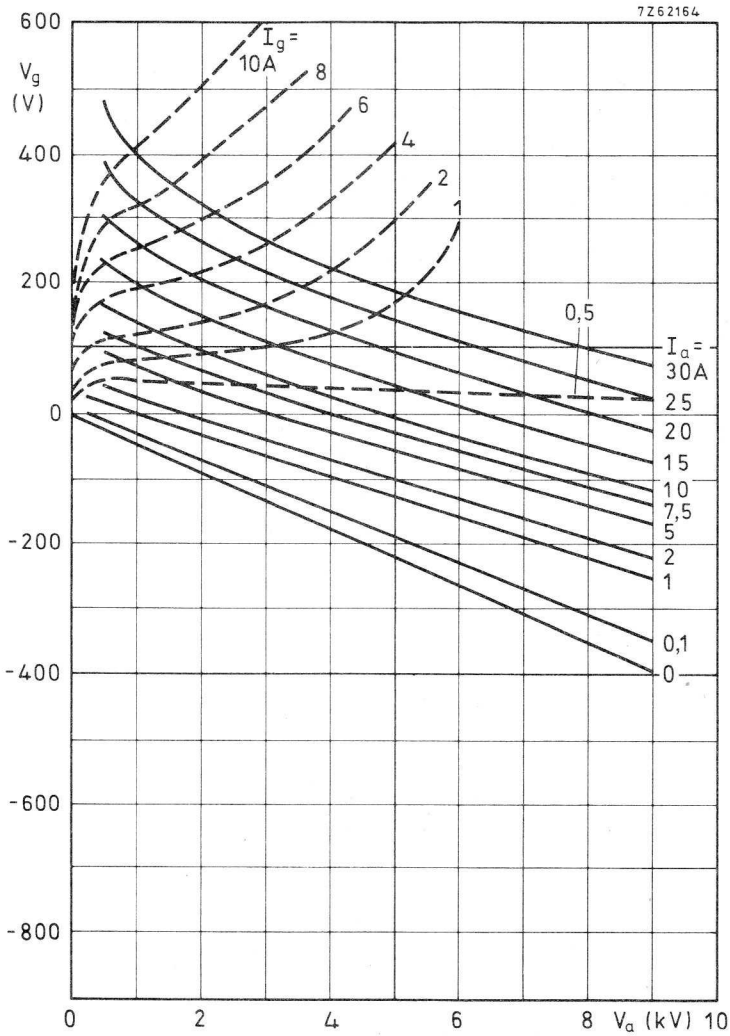
Mounting position : vertical with anode up or down

Net mass : approx. 3,5 kg

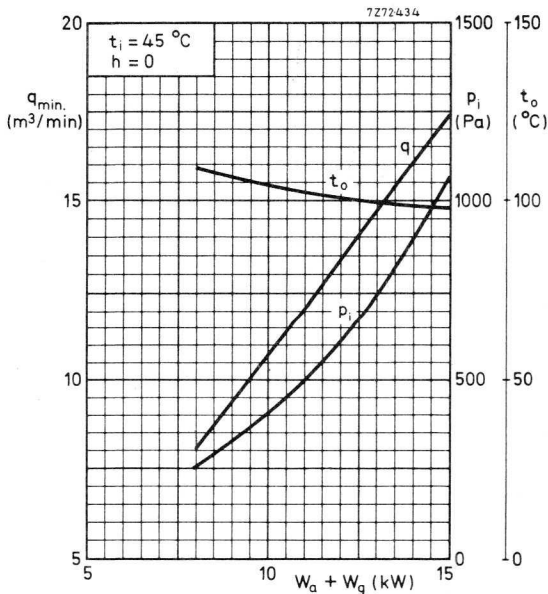
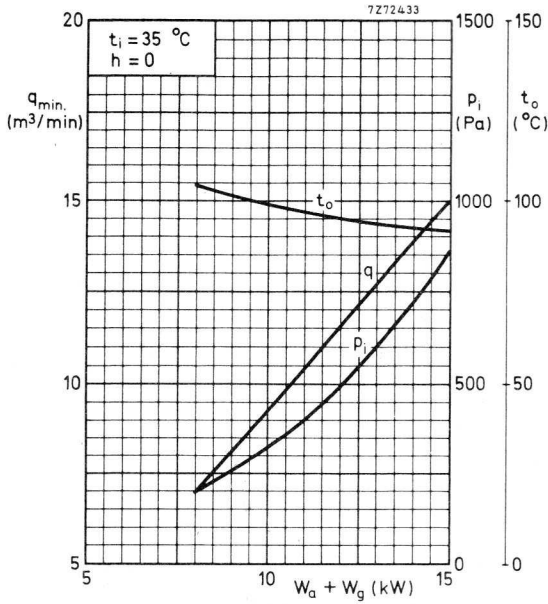


Thread of water connections BSP 1/2 in

With anode up the inlet and outlet connections should be interchanged.

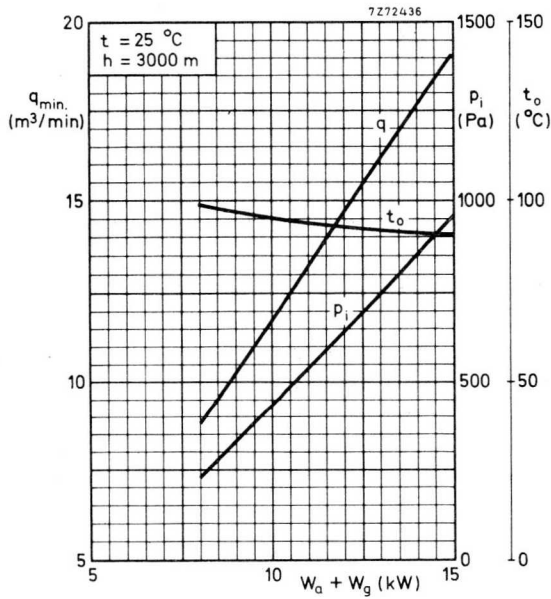
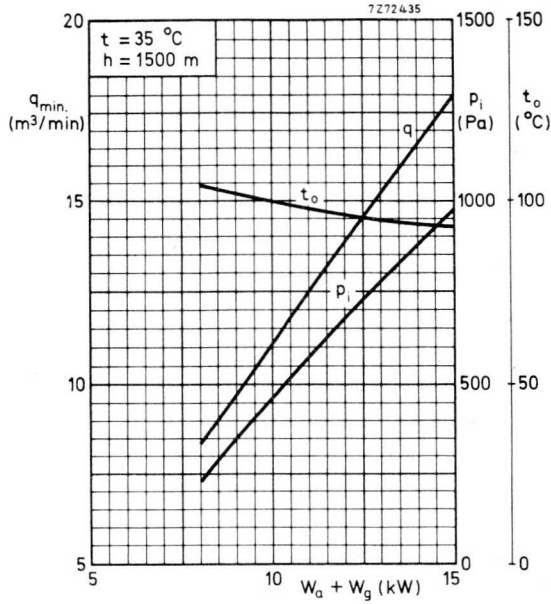


YD1180



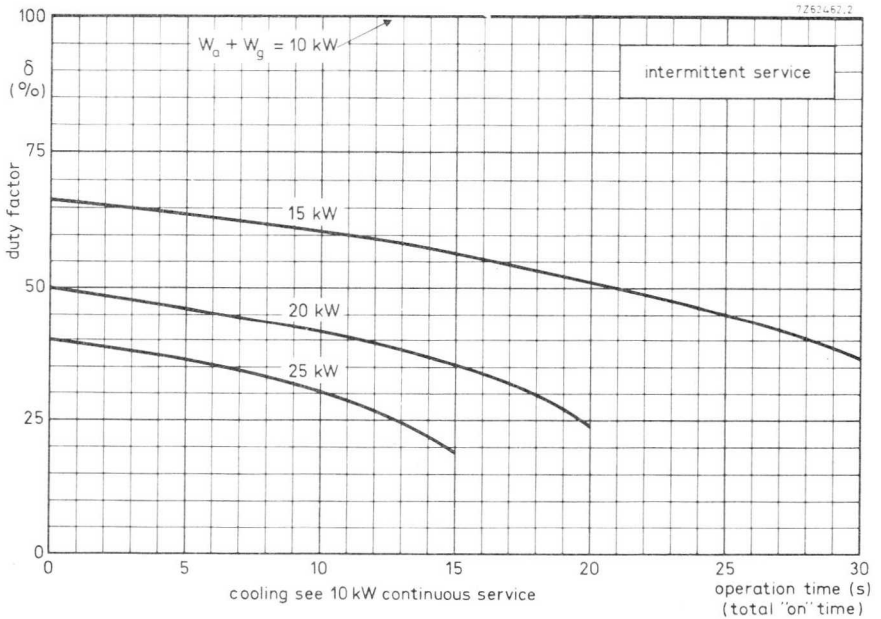
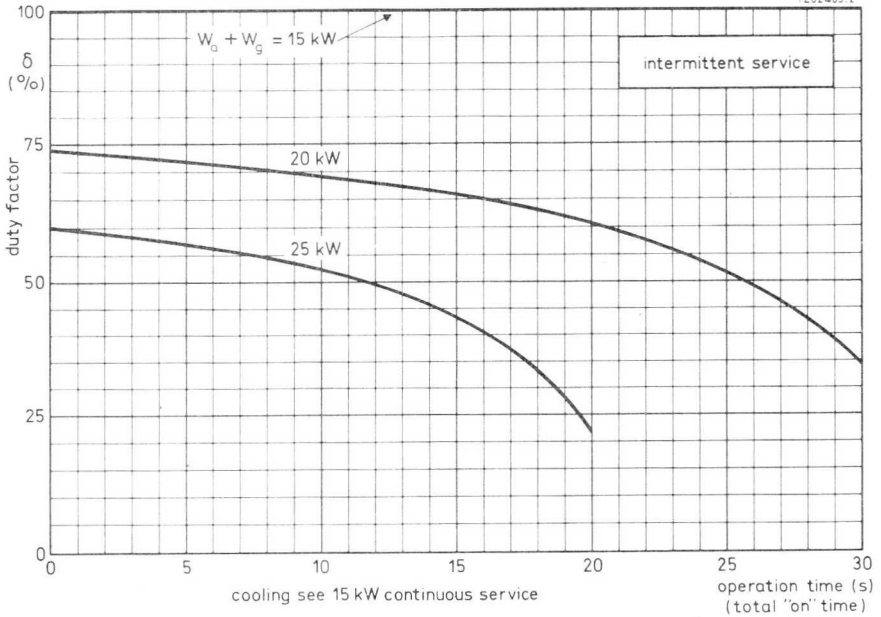
1 Pa \approx 0, 1 mm H₂O

YD1180

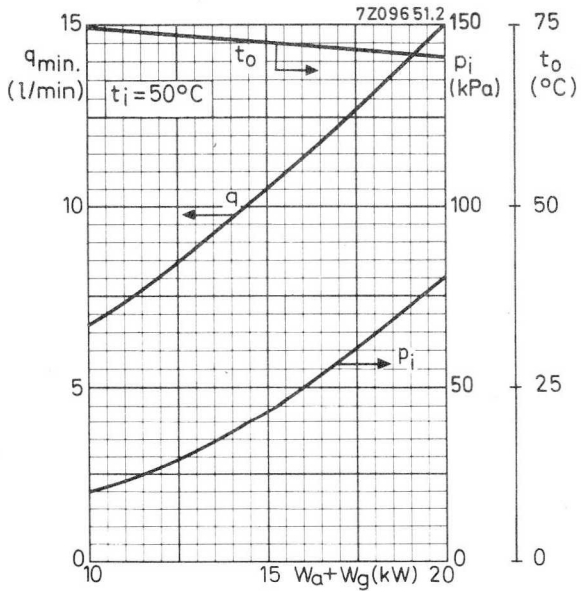
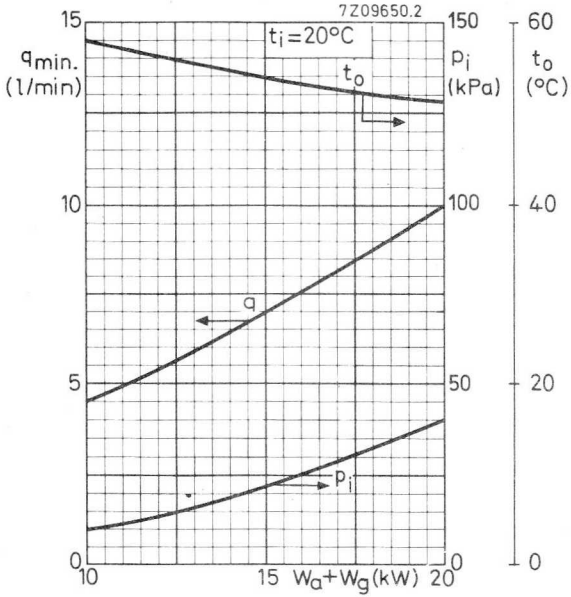


YD1180

7262453.2



YD1182



100 kPa \approx 1 at.

INDUSTRIAL R.F. TRIODE

Triodes in metal-ceramic construction intended for use as industrial oscillators.
 The YD1185 is forced-air cooled
 The YD1187 is water cooled by an integral cooler.

QUICK REFERENCE DATA

Oscillator output power ($W_o - W_{\text{feedb}}$), typical	W_{osc}	50	kW
Frequency for full ratings	f	max.	100 MHz

To be read in conjunction with "General Operational Recommendations Transmitting Tubes for Communication , Tubes for R.F. Heating"

R.F. CLASS C OSCILLATOR FOR INDUSTRIAL USE

OPERATING CONDITIONS

Frequency	f	90	90	90	MHz
Oscillator output power ($W_o - W_{\text{feedb}}$)	W_{osc}	33,4	40	50	kW
Anode voltage	V_a	8,5	10	12	kV
Anode current	I_a	5,4	5,33	5,33	A
Anode input power	W_{ia}	45,9	53,3	64	kW
Anode dissipation	W_a	11,4	12,1	12,8	kW
Anode output power	W_o	34,5	41,2	51,2	kW
Anode efficiency	η_a	75,1	77,3	80,0	%
Oscillator efficiency	η_{osc}	72,7	75,0	78,1	%
Feedback ratio	V_{gp}/V_{ap}	11	10,2	9	%
Grid resistor	R_g	330	400	430	Ω
Grid current, on load	I_g	1,5	1,45	1,4	A
Grid voltage, negative	$-V_g$	495	580	600	V
Grid dissipation	W_g	400	380	360	W
Grid resistor dissipation	W_{Rg}	740	840	840	W

LIMITING VALUES (Absolute max. rating system)

Frequency for full ratings	f	up to	100	MHz
Anode voltage	V_a	max.	14,4	kV
Anode current	I_a	max.	6	A
Anode input power	W_{ia}	max.	72	kW
Anode dissipation, continuous service (YD1185) (YD1187)	W_a	max.	15	kW
	W_a	max.	20	kW
Grid voltage	$-V_g$	max.	1,5	kV
Grid current, on load off load	I_g	max.	1,6	A
	I_g	max.	2,4	A
Grid dissipation	W_g	max.	500	W
Grid circuit resistance	R_g	max.	10	$k\Omega$
Cathode current, mean peak	I_k	max.	7,5	A
	I_{kp}	max.	40	A
Envelope temperature	t_{env}	max.	240	$^{\circ}C$

HEATING : direct; thoriated tungsten filament, mesh construction

Filament voltage	V_f		7	V
Filament current	I_f		175	A
Peak filament starting current	I_{fp}	max.	1000	A
Cold filament resistance	R_{f0}		4,2	$m\Omega$

The filament is designed to accept temporary fluctuations of +5% and -10%.

To ensure that the cathode temperature remains constant irrespective of the operating frequency, it may be necessary to reduce the filament voltage at higher frequencies. When doing so it must be borne in mind that the filament voltage-to-current ratio measured with only the filament voltage applied should remain constant under all operating conditions

It is extremely important that the filament be properly decoupled. This should be so done that the resonance of the circuit formed by the filament and decoupling elements remains below the fundamental oscillator frequency. In grounded-grid circuits this resonance should be below the grid-cathode resonance. For further information please see Application Book "Tubes for R. F. heating" or consult the manufacturer.

CAPACITANCES

Anode to filament	C_{af}		1	pF
Grid to filament	C_{gf}		61	pF
Anode to grid	C_{ag}		22	pF

CHARACTERISTICS measured at $V_a = 11$ kV, $I_a = 1,5$ A

Transconductance	S	40	mA/V
Amplification factor	μ	50	

COOLING

To obtain optimum life, the temperature of the seals and of the envelope should, under normal operating conditions, be kept below 200 °C.

To maintain these temperatures additional cooling may be necessary.

At frequencies higher than about 4 MHz cooling of the seals becomes mandatory.

YD1185

See also cooling curves

With insulating pedestal type 40648

Anode + grid dissipation $W_a + W_g$ (kW)	Altitude h (m)	Inlet temperature t_i (°C)	Rate of flow Q_{min} (m ³ /min)	Pressure drop P_i (Pa *)	Outlet temperature t_o (°C)
15	0	35	15	850	92
10	0	35	9,3	350	99
8	0	35	7	220	104
15	0	45	17,3	1060	98
10	0	45	10,7	440	104
8	0	45	8,1	270	108
15	1500	35	18	970	93
10	1500	35	11,2	400	100
8	1500	35	8,4	250	104
15	3000	25	19	950	90
10	3000	25	11,8	390	95
8	3000	25	8,9	250	99

* 1 Pa \approx 0,1 mm H₂O

YD1187

See also cooling curves

Anode + grid dissipation $W_a + W_g$ (kW)	Inlet temperature t_i (°C)	Rate of flow q_{min} (ℓ /min)	Pressure drop p_i (kPa*)	Outlet temperature t_o (°C)
20	20	10	40	51
	50	15	80	71
15	20	7	22	54
	50	10,5	43	73
10	20	4,5	10	58
	50	6,7	20	75

Absolute max. water inlet temperature t_i 50 °C
 Absolute max. water pressure p 600 kPa* (abs)

ACCESSORIES

Filament connector with cable	type	40708	net mass	600	g
Filament/cathode connector with cable	type	40709	net mass	640	g
Grid connector	type	40711	net mass	310	g
Insulating pedestal (YD1180 only)	type	40648	net mass	7, 15	kg

*) 100 kPa \approx 1 at

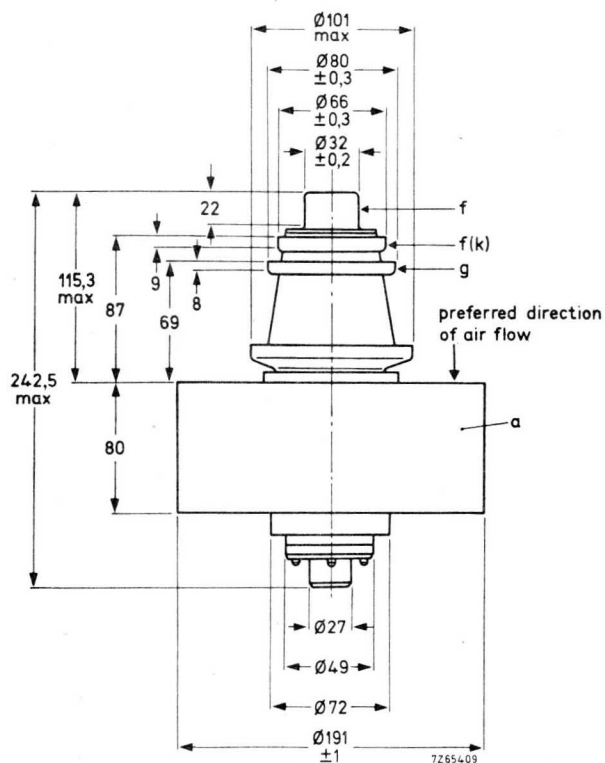
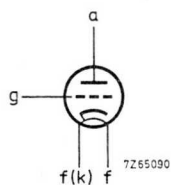
MECHANICAL DATA

Dimensions in mm

YD1185

Mounting position : vertical with anode up or down

Net mass : approx. 11,3 kg

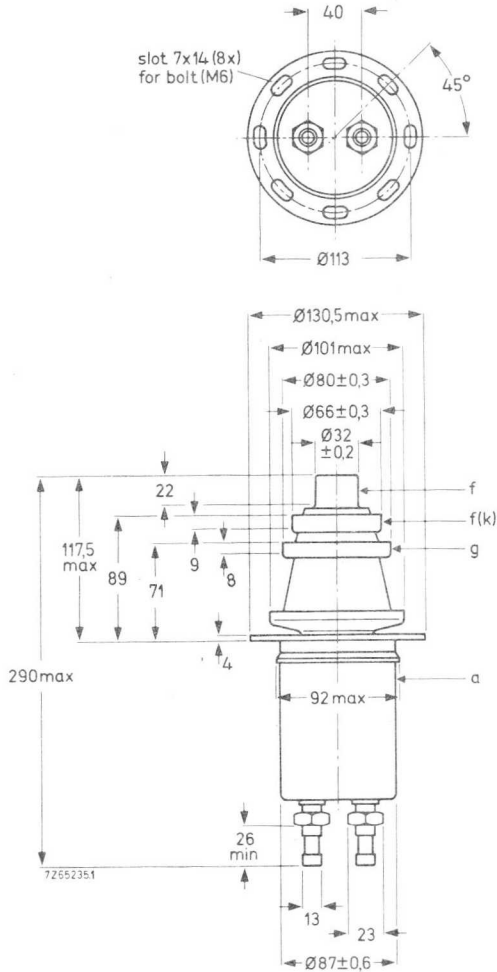


YD1185
YD1187

YD1187

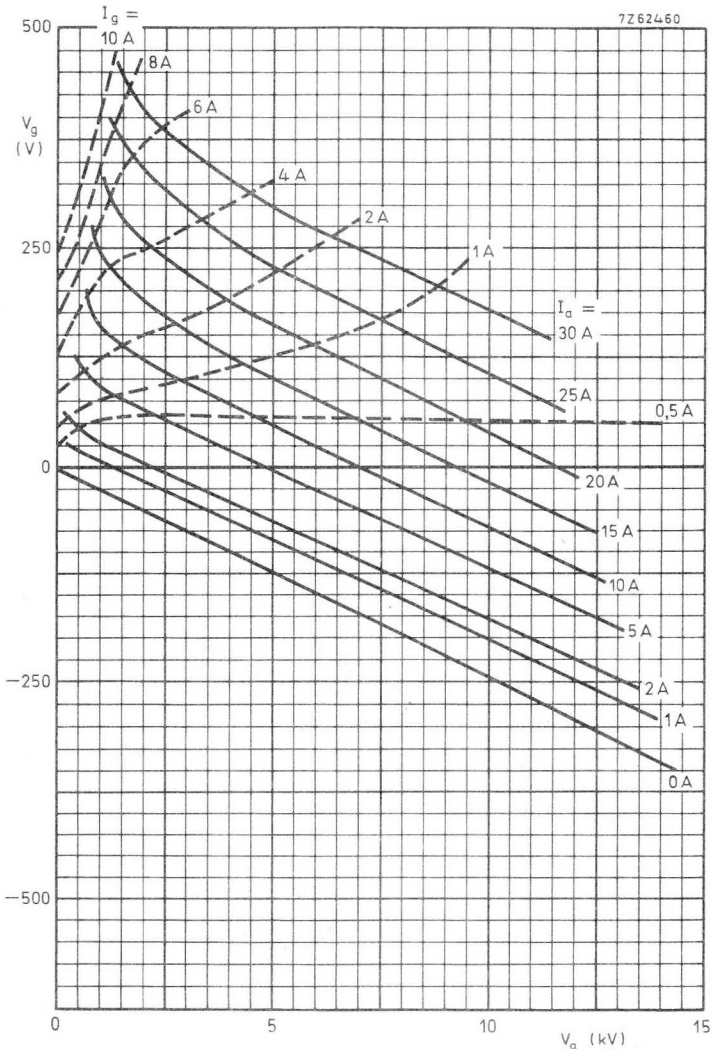
Mounting position : vertical, with anode up or down

Net mass : approx. 3,4 kg

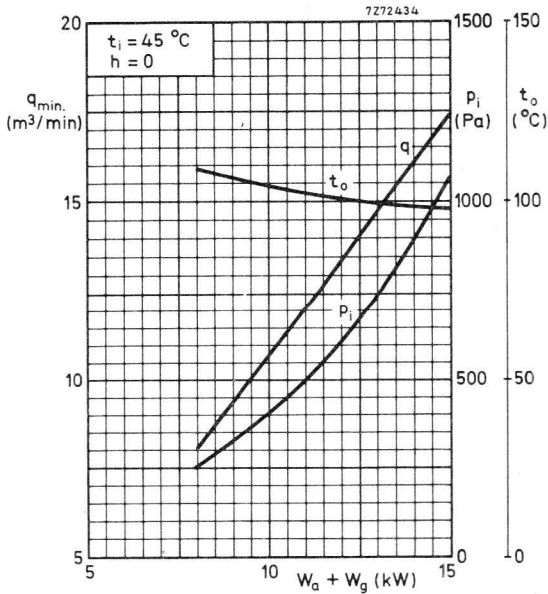
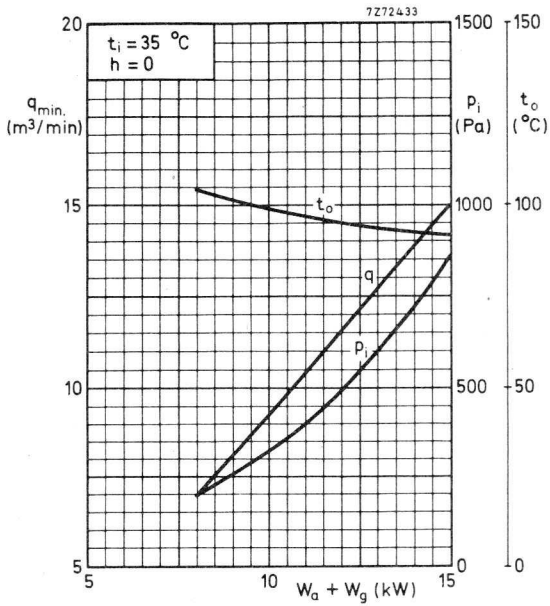


Thread of water connections BSP 1/2 in

With the anode up the inlet and outlet connections should be interchanged.

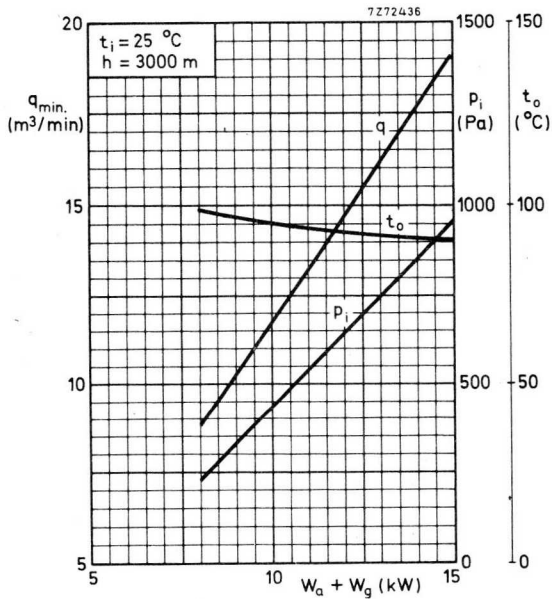
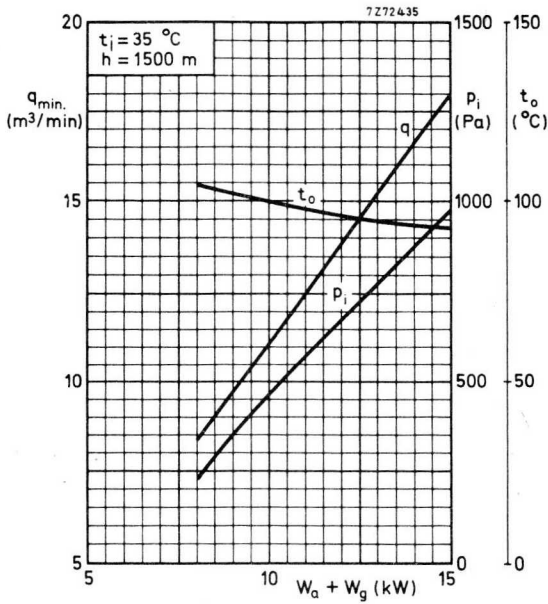


YD1185



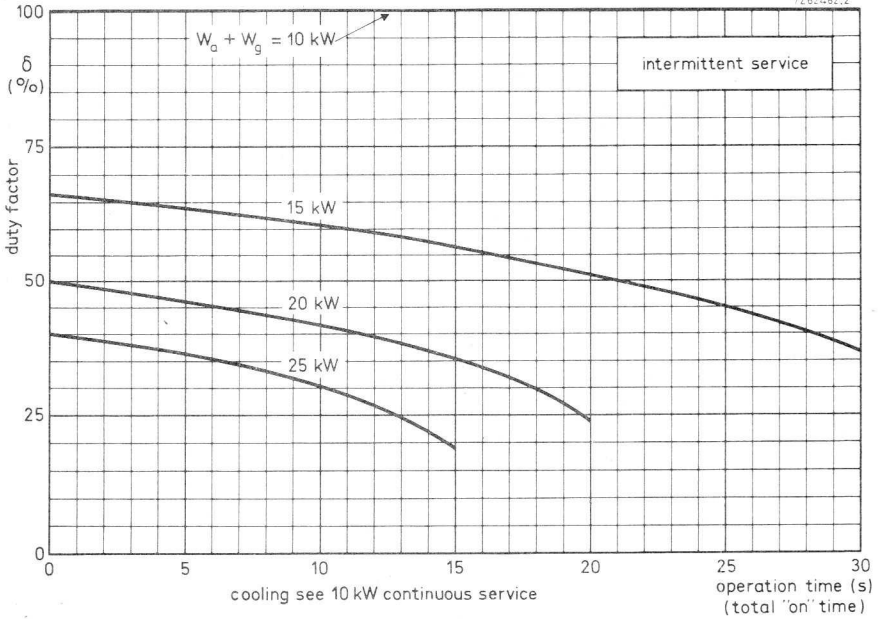
1 Pa \approx 0,1 mm H₂O

YD1185

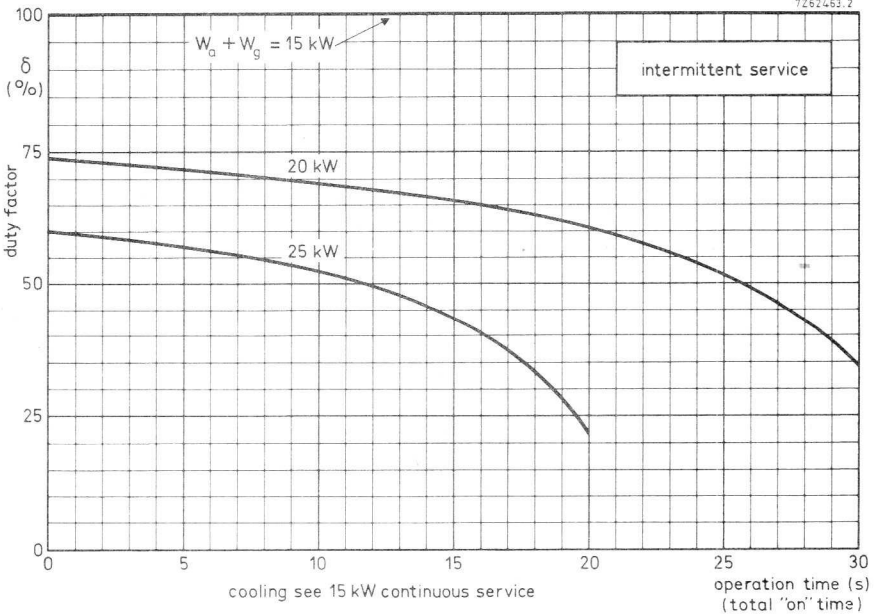


YD1185

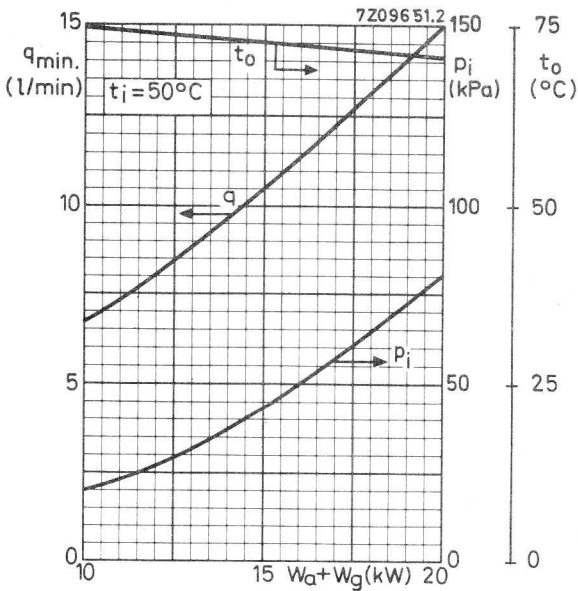
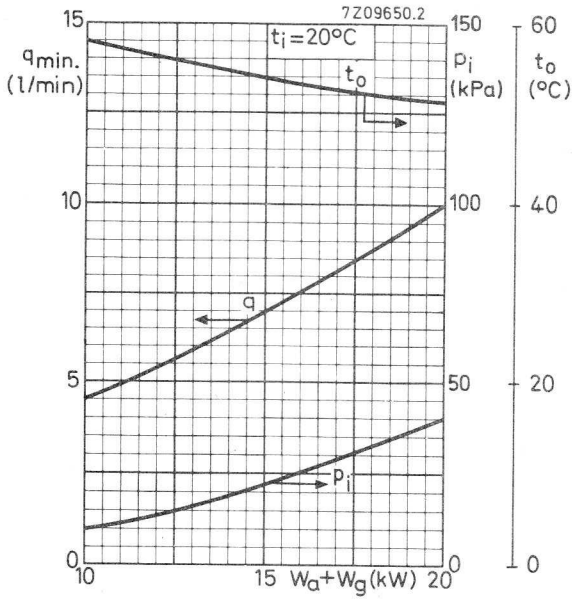
7262462.2



7262463.2



YD1187



INDUSTRIAL R.F. TRIODE

Triodes in metal-ceramic construction intended for use as industrial oscillators.
The YD1192 has an integral water cooler.
The YD1193 is vapour cooled.

QUICK REFERENCE DATA

Oscillator output power ($W_o - W_{\text{feedb}}$)	W_{osc}	62,7	kW
Frequency for full ratings	f	max. 100	MHz

To be read in conjunction with "General Operational Recommendations Transmitting Tubes for Communication; Tubes for R. F. Heating".

R.F. CLASS C OSCILLATOR FOR INDUSTRIAL USE

OPERATING CONDITIONS

Frequency	f	30	MHz
Oscillator output power ($W_o - W_{\text{feedb}}$)	W_{osc}	62,7	kW
Anode voltage	V_a	8	kV
Anode current	I_a	10	A
Anode input power	W_{ia}	80	kW
Anode dissipation	W_a	15	kW
Anode output power	W_o	65	kW
Anode efficiency	η_a	81,2	%
Oscillator efficiency	η_{osc}	78,4	%
Feedback ratio	V_{gp}/V_{ap}	14,6	%
Grid resistor	R_g	300	Ω
Grid current, on load	I_g	2,25	A
Grid voltage, negative	$-V_g$	675	V
Grid dissipation	W_g	750	W
Grid resistor dissipation	W_{Rg}	1,52	kW

LIMITING VALUES (Absolute max. rating system)

Frequency for full ratings	f	up to	100	MHz ¹⁾
Anode voltage	V _a	max.	9,6	kV
Anode current	I _a	max.	12	A
Anode input power	W _{ia}	max.	96	kW
Anode dissipation	W _a	max.	40	kW
Grid voltage	-V _g	max.	1,5	kV
Grid current, on load of load	I _g	max.	2,5	A
	I _g	max.	3,5	A
Grid dissipation	W _g	max.	1	kW
Grid circuit resistance	R _g	max.	10	kΩ
Cathode current, mean peak	I _k	max.	14	A
	I _{kp}	max.	70	A
Envelope temperature	t _{env}	max.	240	°C

HEATING : direct; thoriated tungsten filament

Filament voltage	V _f		8,4	V
Filament current	I _f		235	A
Peak filament starting current	I _{fp}	max.	1500	A
Cold filament resistance	R _{fo}		3,9	mΩ

The filament is designed to accept temporary fluctuations of +5% and -10%.

To ensure that the cathode temperature remains constant irrespective of the operating frequency, it may be necessary to reduce the filament voltage at higher frequencies. When doing so it must be borne in mind that the filament voltage-to-current ratio measured with only the filament voltage applied should remain constant under all operating conditions.

It is extremely important that the filament be properly decoupled. This should be so done that the resonance of the circuit formed by the filament and decoupling elements remains below the fundamental oscillator frequency. In grounded-grid circuits this resonance should be below the grid-to-cathode resonance. For further information please see Application Book "Tubes for R. F. heating" or contact the manufacturer.

¹⁾ When the tube has to be used at frequencies above 30 MHz the manufacturer should be consulted for more detailed information.

CAPACITANCES

Anode to filament	C_{af}	1,3 pF
Grid to filament	C_{gf}	100 pF
Anode to grid	C_{ag}	45 pF

CHARACTERISTICS measured at $V_a = 8 \text{ kV}$, $I_a = 6 \text{ A}$

Transconductance	S	90 mA/V
Amplification factor	μ	35

COOLING

To obtain optimum life, the temperature of the seals and the envelope should, under normal operating conditions, be kept below 200 °C.

At low frequencies the seals are sufficiently cooled when the filament connectors are water cooled by a flow of about 0,5 ℓ /min.

At higher frequencies, however, an additional air flow of about 1m³/min must be led along the seals from a 30 mm diameter nozzle positioned at a distance of 200 mm from the tube header.

YD1192

See also cooling curves

Anode + grid dissipation $W_a + W_g$ (kW)	Inlet temperature t_i (°C)	Rate of flow q_{min} (ℓ /min)	Pressure drop P_i (kPa*)	Outlet temperature t_o (°C)
40	20	20	40	51
	50	30	80	71
30	20	14	21	53
	50	21	43	72
20	20	9	10	56
	50	13,5	20	74

Absolute max. water inlet temperature t_i max. 50 °C

Absolute max water pressure p max. 600 kPa*

* 100 kPa \approx 1 at.

YD1193

See also cooling curves

With integrated boiler-condenser type K735

Anode + grid dissipation $W_a + W_g$ (kW)	Inlet temperature t_i (°C)	Rate of flow q_{min} (l/min)	Pressure drop P_i (kPa*)	Outlet temperature t_o (°C)
40	20	11	5	74
	35	15	7	74
	50	25	16	74
30	20	8	3	76
	35	11	5	76
	50	17	9	76
20	20	5	2	80
	35	6, 7	3	80
	50	10	4	80

ACCESSORIES

Filament connector with cable	type 40705	net mass	700	g
Filament/cathode connector with cable	type 40706	net mass	830	g
Grid connector $f \leq 4$ MHz	type 40707	net mass	75	g
	type 40736	net mass	450	g
Boiler condenser (YD1193 only)	type K735	net mass	70	kg

* 100 kPa \approx 1 at.

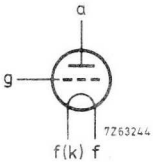
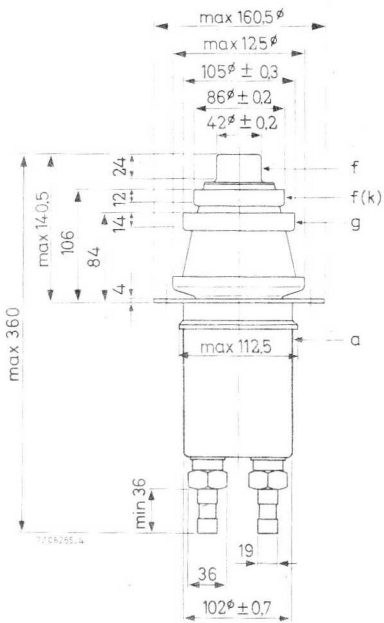
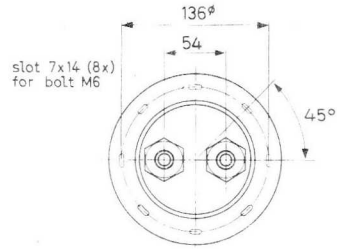
YD1192

Dimensions in mm

MECHANICAL DATA

Mounting position : vertical with anode up or down

Net mass : approx. 5,8 kg



Thread of water connections BSP 1 in

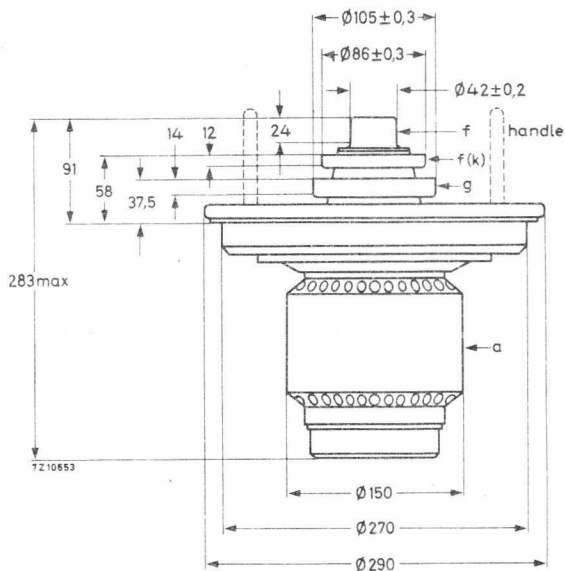
With anode up the inlet and outlet connections should be interchanged.

YD1192
YD1193

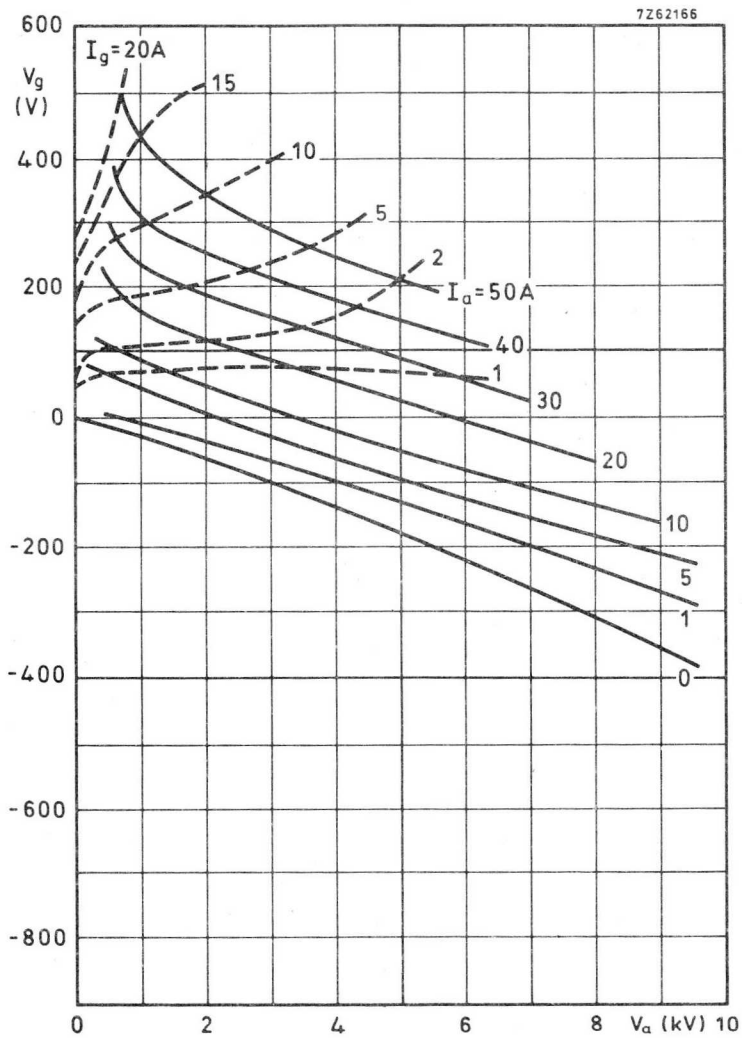
YD1193

Mounting position : vertical with anode down

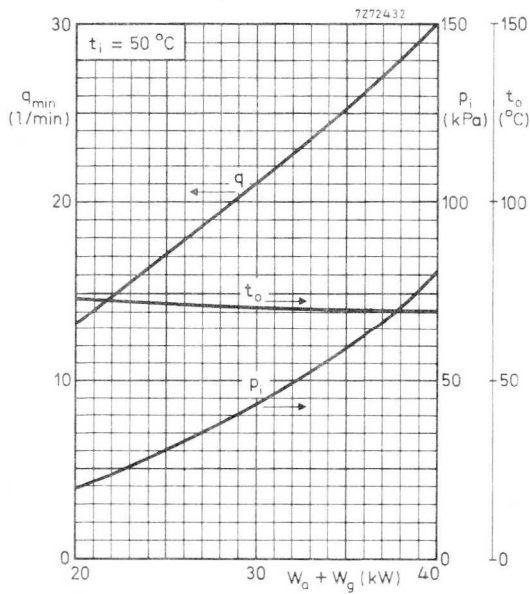
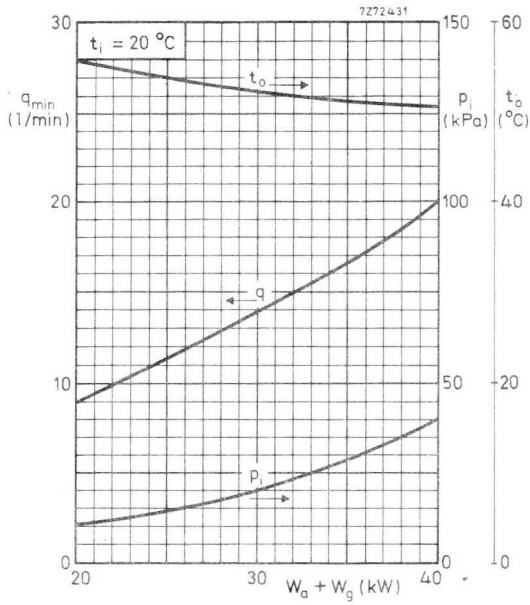
Net mass : approx. 15,7 kg



Note: The handles should be removed before switching on the tube.

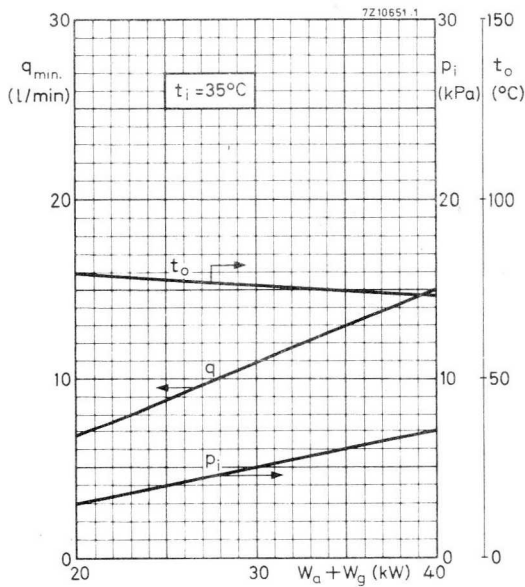
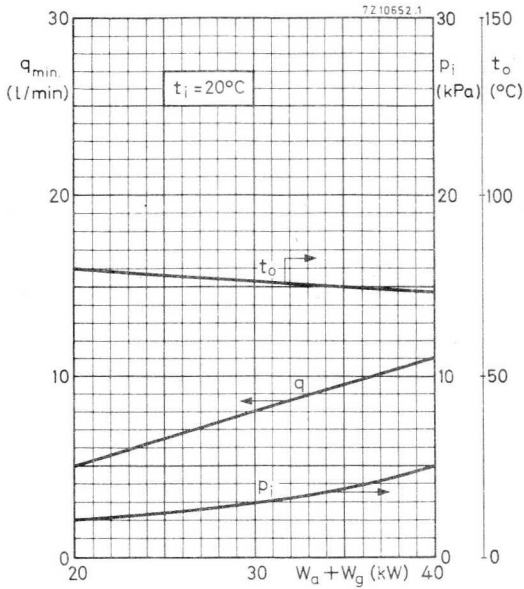


YD1192

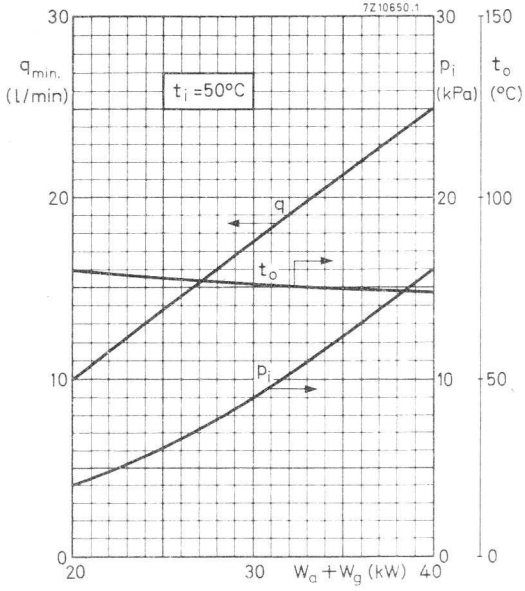


100 kPa \approx 1 at

YD1193



100 kPa \approx 1 at



INDUSTRIAL R.F. TRIODE

Triodes in metal-ceramic construction intended for use as industrial oscillators.

The YD1195 is forced-air cooled.

The YD1197 has an integral water cooler.

QUICK REFERENCE DATA

Oscillator output power ($W_o - W_{\text{feedb}}$), typical	YD1195	W_{osc}	90	kW
	YD1197	W_{osc}	107,6	kW
Frequency for full ratings		f	max. 30	MHz

R.F. CLASS C OSCILLATOR FOR INDUSTRIAL USE

OPERATING CONDITIONS

Frequency	f	30	30	30	30	MHz
Oscillator output power ($W_o - W_{\text{feedb}}$)	W_{osc}	60,6	74	90	107,6	kW
Anode voltage	V_a	8,5	10	12	12	kV
Anode current	I_a	10	10	9,75	12	A
Anode input power	W_{ia}	85	100	117	144	kW
Anode dissipation	W_a	22,4	24	24,9	34	kW
Anode output power	W_o	62,6	76	92,1	110	kW
Anode efficiency	η_a	73,6	76	78,8	76,4	%
Oscillator efficiency	η_{osc}	71,2	74	77	74,7	%
Feedback ratio	V_{gp}/V_{ap}	12,5	10,9	9,4	11	%
Grid resistor	R_g	210	240	260	230	Ω
Grid current, on load	I_g	2,4	2,3	2,3	2,6	A
Grid voltage, negative	$-V_g$	500	550	600	600	V
Grid dissipation	W_g	760	730	720	840	W
Grid resistor dissipation	W_{Rg}	1,2	1,27	1,38	1,56	kW

LIMITING VALUES (Absolute max. ratings system)

Frequency		f	up to	100	MHz ¹⁾
Anode voltage		V _a	max.	14,4	kV
Anode current	YD1195	I _a	max.	12	A
	YD1197	I _a	max.	15	A
Anode input power	YD1195	W _{ia}	max.	144	kW
	YD1197	W _{ia}	max.	150	kW
Anode dissipation, continuous service intermittent service	YD1195	W _a	max.	30	kW
	YD1195		see curves		
Anode dissipation	YD1197	W _a	max.	50	kW
Grid voltage		-V _g	max.	1,5	kV
Grid current, on load off load on load off load	YD1195	I _g	max.	2,5	A
		I _g	max.	3,5	A
	YD1197	I _g	max.	2,8	A
		I _g	max.	3,8	A
Grid dissipation	YD1195	W _g	max.	1	kW
Grid circuit resistance		R _g	max.	10	kΩ
Cathode current, mean peak mean peak	YD1195	I _k	max.	14	A
		I _{kp}	max.	70	A
	YD1197	I _k	max.	17,5	A
		I _{kp}	max.	70	A
Envelope temperature		t _{env}	max.	240	°C

HEATING : direct; thoriated tungsten filament, mesh construction

Filament voltage	V _f	8,4	V
Filament current	I _f	235	A
Peak filament starting current	I _{fp} max.	1500	A
Cold filament resistance	R _{fo}	3,9	mΩ

The filament is designed to accept temporary fluctuations of +5% and -10%.

1) When the tubes are to be used at frequencies above 30 MHz the manufacturer should be consulted for more detailed information.

To ensure that the cathode temperature remains constant irrespective of the operating frequency it may be necessary to reduce the filament voltage at higher frequencies. When doing so it must be borne in mind that the filament voltage-to-current ratio measured with only the filament voltage applied should remain constant under all operating conditions.

It is extremely important that the filament be properly decoupled. This should be so done that the resonance of the circuit formed by the filament and decoupling elements remains below the fundamental oscillator frequency. In grounded-grid circuits this resonance should be below the grid-cathode resonance. For further information please see Application Book "Tubes for R.F. heating" or contact the manufacturer.

CAPACITANCES

Anode to filament	C_{af}	1, 2	pF
Grid to filament	C_{gf}	100	pF
Anode to grid	C_{ag}	33	pF

CHARACTERISTICS measured at $V_a = 12$ kV, $I_a = 3$ A

Transconductance	S	780	mA/V
Amplification factor	μ	50	

COOLING

YD1195

Anode + grid dissipation $W_a + W_g$ (kW)	Altitude h (m)	Inlet temperature t_i (°C)	Rate of flow q_{min} (m ³ /min)	Pressure drop P_i (Pa*)	Outlet temperature t_o (°C)
30	0	35	34	1200	84
25	0	35	27, 2	780	87
20	0	35	21, 4	480	89
30	0	45	38	1500	91
25	0	45	30, 4	980	93
20	0	45	23, 9	600	95
30	1500	35	41	1380	84
25	1500	35	32, 7	900	87
20	1500	35	25, 7	550	89
30	3000	25	43	1350	79
25	3000	25	34, 4	880	83
20	3000	25	27	540	85

* 1 Pa \approx 0, 1 mm H₂O.

The above cooling conditions apply to the air flow direction as indicated in the outline drawing. In case of reversed flow direction a larger air volume will be required to keep the anode temperature below the limiting value.

To obtain optimum life, the temperature of the seals and the envelope should, under normal operating conditions, be kept below 200 °C.

YD1197

See also cooling curves

Anode + grid dissipation $W_a + W_g$ (kW)	Inlet temperature t_i (°C)	Rate of flow q_{min} (ℓ/min)	Pressure drop P_i (kPa ^{*)})	Outlet temperature t_i (°C)
50	20	26	60	49
	50	39	123	69
40	20	20	40	51
	50	30	80	71
30	20	14	24	53
	50	21	43	72
20	20	9	10	56
	50	13,5	20	74

Absolute max. water inlet temperature t_i max. 50 °C

Absolute max. water pressure p max. 600 kPa(abs)

To obtain optimum life, the temperature of the seals and the envelope should, under continuously loaded conditions, be kept below 200 °C.

At low frequencies the seals are sufficiently cooled when the filament connectors are water cooled with a flow of about 0,5 ℓ/min. At higher frequencies, however, an additional air flow of about 1 m³/min must be led along the seals from a 30 mm diameter nozzle positioned at a distance of 200 mm from the tube header.

ACCESSORIES

Filament connector with cable	type	40705	net mass	700 g
Filament/cathode connector with cable	type	40706	net mass	830 g
Grid connector	type	40736	net mass	450 g
Insulating pedestal (YD1195 only)	type	40729	net mass	8,2 g

* 100 kPa ≈ 1 at

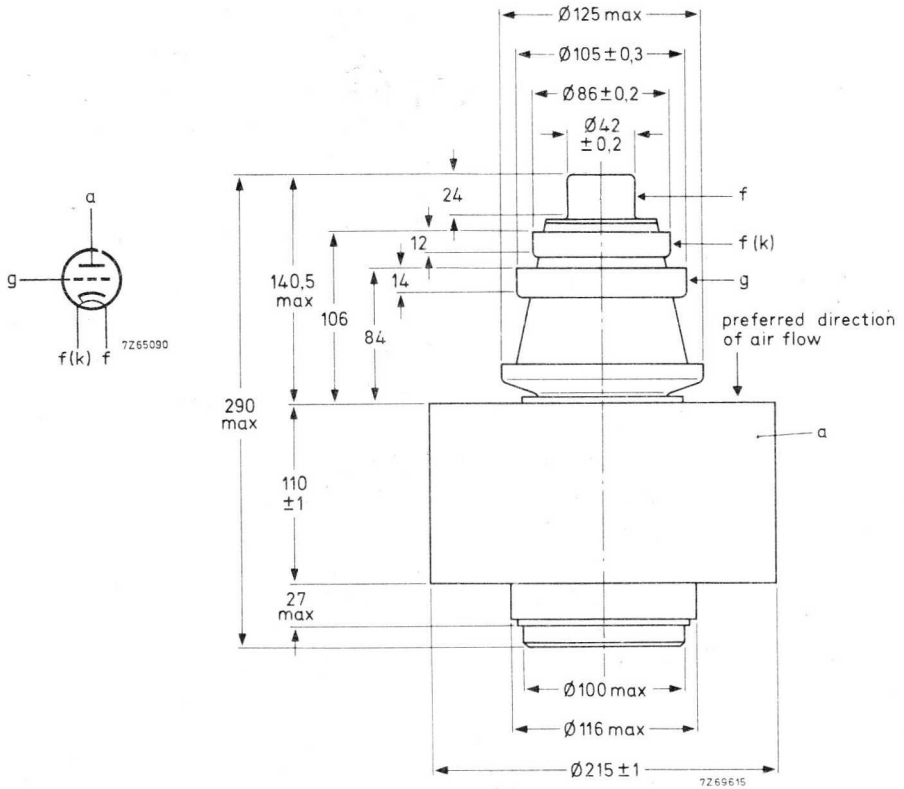
YD1195

MECHANICAL DATA

Dimensions in mm

Mounting position : vertical with anode up or down

Net mass : approx. 20 kg



YD1195
YD1197

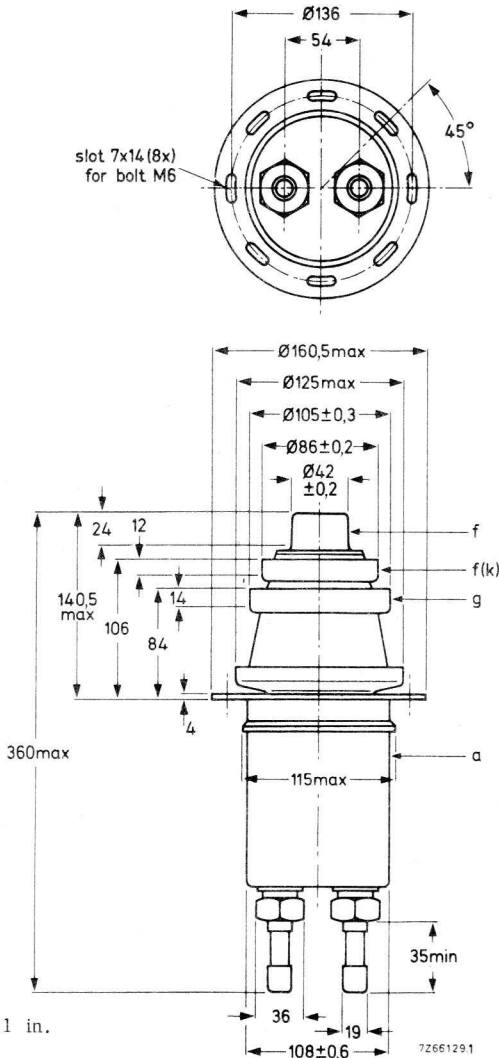
YD1197

MECHANICAL DATA

Dimensions in mm

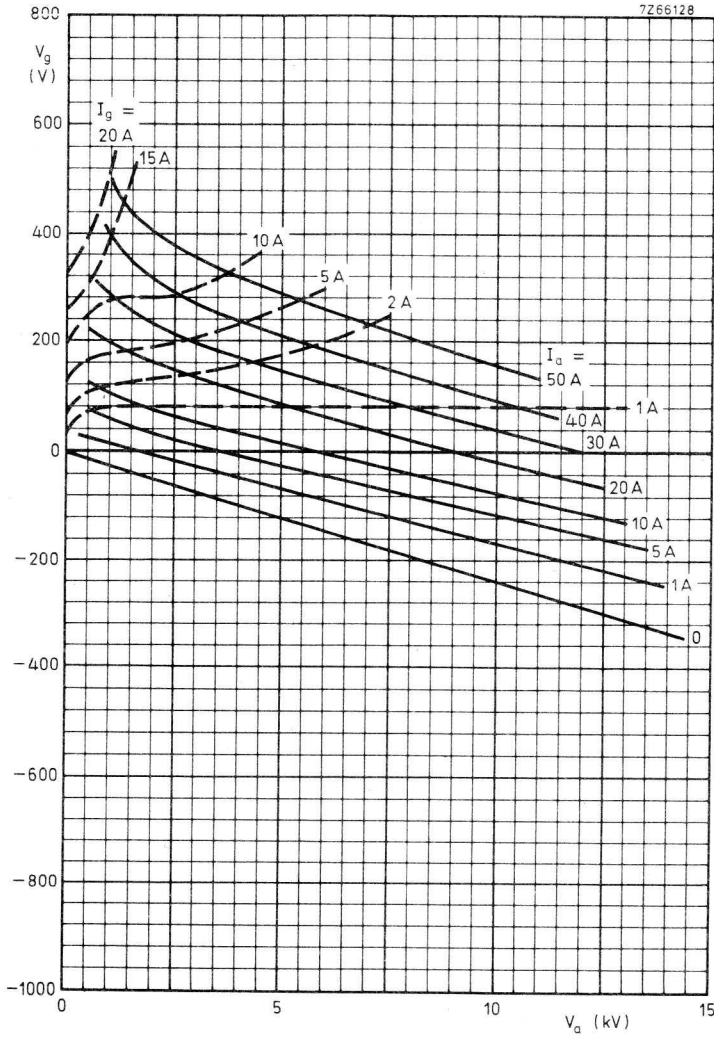
Mounting position : vertical with anode up or down

Net mass : approx. 6,5 kg



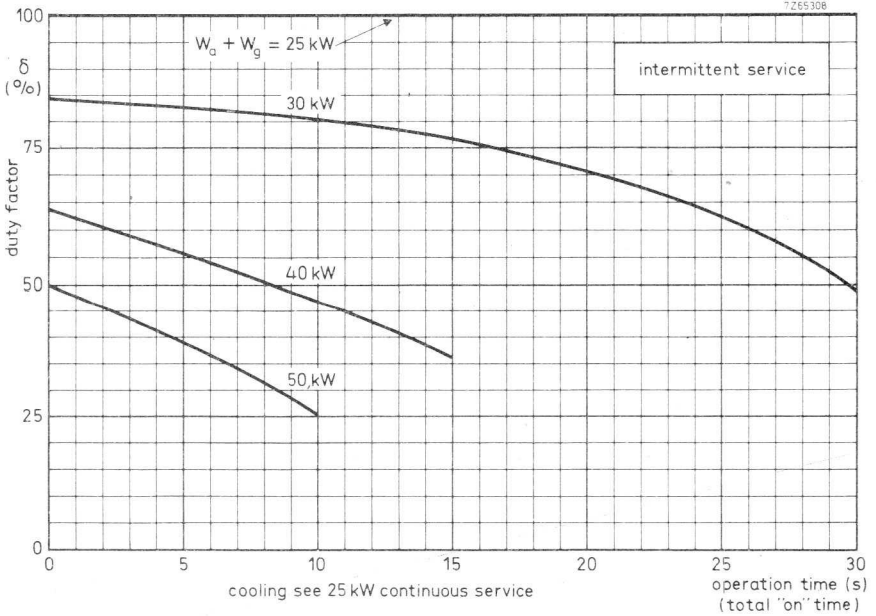
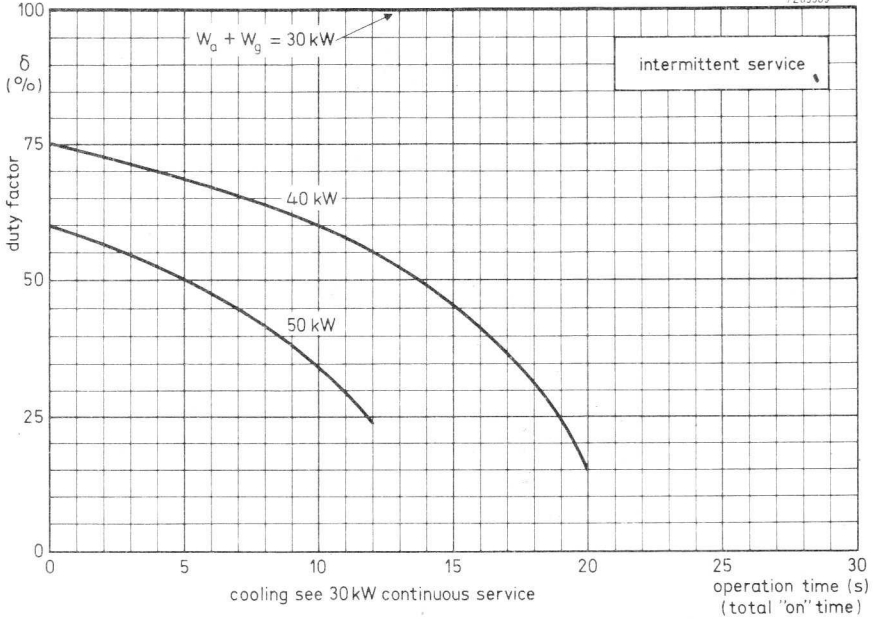
Thread of water connections BSP 1 in.

With the anode up the water connections should be interchanged.



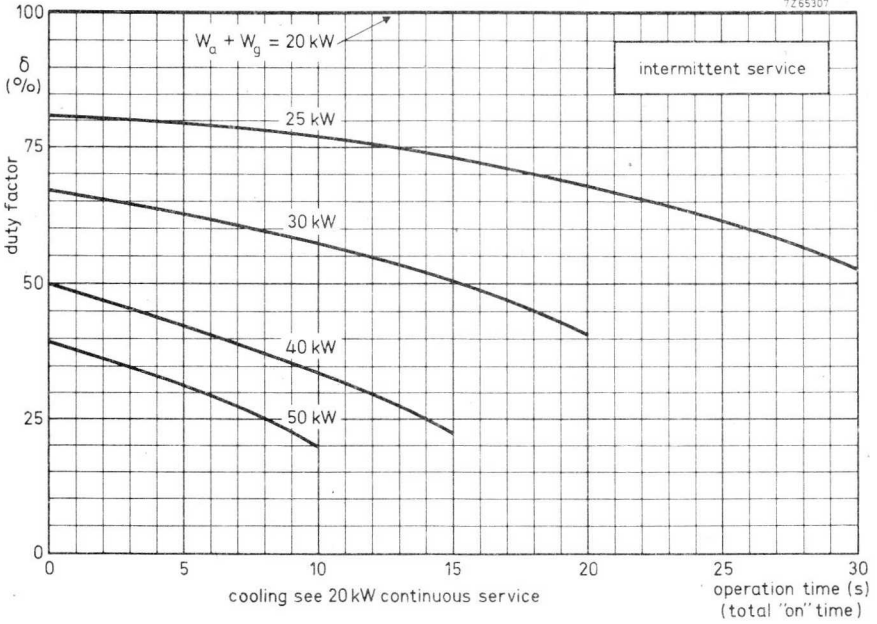
YD1195

7265309

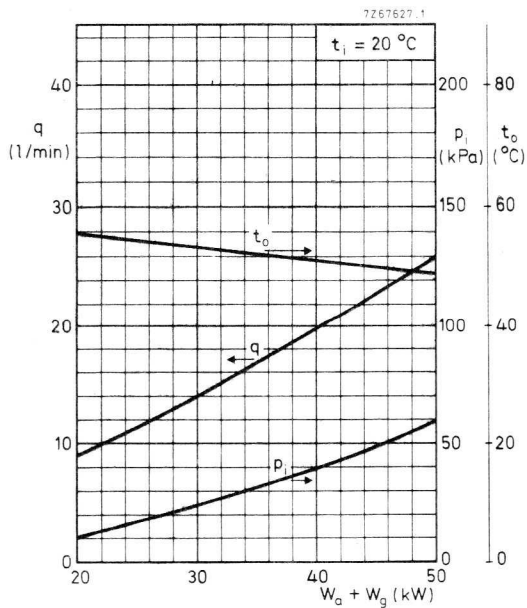
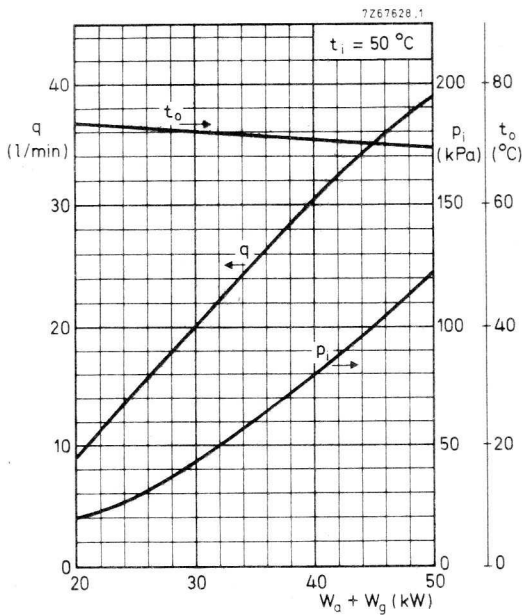


YD1195

7265307



YD1197



100 kPa \approx 1 at

INDUSTRIAL R.F. TRIODE

Triodes-in metal-ceramic construction-intended for use as industrial oscillators.

The YD1202 has an integral water cooler.

The YD1203 is vapour cooled.

The YD1204 has an integral vapour cooler.

QUICK REFERENCE DATA

Oscillator output power ($W_o - W_{\text{feedb}}$), typical	W_{osc}	163	kW
Frequency for full ratings	f	max. 30	MHz

To be read in conjunction with "General Operational Recommendations Transmitting Tubes for Communication, Tubes for R.F. Heating"

R.F. CLASS C OSCILLATOR FOR INDUSTRIAL USE

OPERATING CONDITIONS

Frequency	f	30	30	MHz
Oscillator output power ($W_o - W_{\text{feedb}}$)	W_{osc}	120	163	kW
Anode voltage	V_a	10	12	kV
Anode current	I_a	16	18	A
Anode input power	W_{ia}	160	216	kW
Anode dissipation	W_a	36	47	kW
Anode output power	W_o	124	169	kW
Anode efficiency	η_a	77,5	78	%
Oscillator efficiency	η_{osc}	75	75,4	%
Feedback ratio	V_{gp}/V_{ap}	12,8	14	%
Grid resistor	R_g	200	225	Ω
Grid current, on load	I_g	3,5	4	A
Grid voltage, negative	$-V_g$	700*	900	V
Grid dissipation	W_g	1,5	2	kW
Grid resistor dissipation	W_{Rg}	2,45	3,6	kW

LIMITING VALUES (Absolute max. rating system)

Frequency for full ratings	f	up to	100	MHz ¹⁾
Anode voltage	V _a	max.	15	kV
Anode current	I _a	max.	19	A
Anode input power	W _{ia}	max.	220	kW
Anode dissipation	W _a	max.	80	kW
Grid voltage	-V _g	max.	2	kV
Grid current, on load off load	I _g	max.	5	A
	I _g	max.	7	A
Grid dissipation	W _g	max.	2,5	kW
Grid circuit resistance	R _g	max.	10	kΩ
Cathode current, mean peak	I _k	max.	24	A
	I _{kp}	max.	100	A
Envelope temperature	t _{env}	max.	240	°C

HEATING : direct; thoriated tungsten filament

Filament voltage	V _f		12,2	V
Filament current	I _f		250	A
Peak filament starting current	I _{fp}	max.	1500	A
Cold filament resistance	R _{f0}		5,3	mΩ

The filament is designed to accept temporary fluctuations of +5% and -10%.

To ensure that the cathode temperature remains constant irrespective of the operating frequency, it may be necessary to reduce the filament voltage at higher frequencies. When doing so it must be borne in mind that the filament voltage-to-current ratio measured with only the filament voltage applied should remain constant under all operating conditions.

It is extremely important that the filament be properly decoupled. This should be so done that the resonance of the circuit formed by the filament and decoupling elements remains below the fundamental oscillator frequency. In grounded-grid circuits this resonance should be below the grid-cathode resonance. For further information please see Application book "Tubes for R. F. heating" or contact the manufacturer.

¹⁾ When the tubes are to be used at frequencies above 30 MHz the manufacturer should be consulted for more detailed information.

CAPACITANCES

Anode to filament	C_{af}	2.7	pF
Grid to filament	C_{gf}	170	pF
Anode to grid	C_{ag}	55	pF

CHARACTERISTICS measured at $V_a = 10$ kV, $I_a = 8$ A

Transconductance	S	150	mA/V
Amplification factor	μ	30	

COOLING

To obtain optimum life, the temperature of the seals and the envelope should, under continuously loaded conditions, be kept below 200 °C.

At frequencies up to about 4 MHz the seals are sufficiently cooled if the filament connectors are water-cooled by a flow of about 0.5 l/min.

At higher frequencies however, an additional airflow of about 4 m³/min must be led along the seals from a 50 mm diameter nozzle positioned at a distance of 250 mm from the tube header.

YD1202

See also cooling curves.

Anode + grid dissipation $W_a + W_g$ (kW)	Inlet temperature t_i (°C)	Rate of flow q_{min} (l/min)	Pressure drop P_i (kPa*)	Outlet temperature t_o (°C)
100	20	52	55	49
	50	78	105	69
80	20	39	32	51
	50	60	65	70
60	20	29	19	52
	50	42	32	72
40	20	18	8	54
	50	27	15	73

Absolute max. water inlet temperature	t_i	50	°C
Absolute max. water pressure	p	600	kPa(abs)

* 100 kPa \approx 1 at

YD1202
YD1203
YD1204

YD1203

See also cooling curves

With integrated boiler condenser type K735

Anode + grid dissipation $W_a + W_g$ (kW)	Inlet temperature t_i (°C)	Rate of flow q_{min} (ℓ/min)	Pressure drop P_i (kPa*)	Outlet temperature t_o (°C)
80	20	29	20	60
	35	48	51	59
60	20	16	8	75
	35	24	14	72
	50	45	45	70
40	20	10	4	80
	35	13,5	6	80
	50	20	10	80

Absolute max. water inlet temperature t_i 50 °C

YD1204

Type of condenser arbitrary.

Required capacity of condenser for W_a+W_g	80	60	40	kW kcal/h MJ/h
	72×10^3 302	55×10^3 230	37×10^3 150	
Volume of produced vapour at backflow temperature of 20 °C at backflow temperature of 90 °C	3,3	2,5	1,7	m ³ /min
	3,7	2,8	1,9	m ³ /min
Amount of backflowing water at backflow temperature of 20 °C at backflow temperature of 90 °C	2,0	1,5	1,0	ℓ/min
	2,1	1,6	1,1	ℓ/min

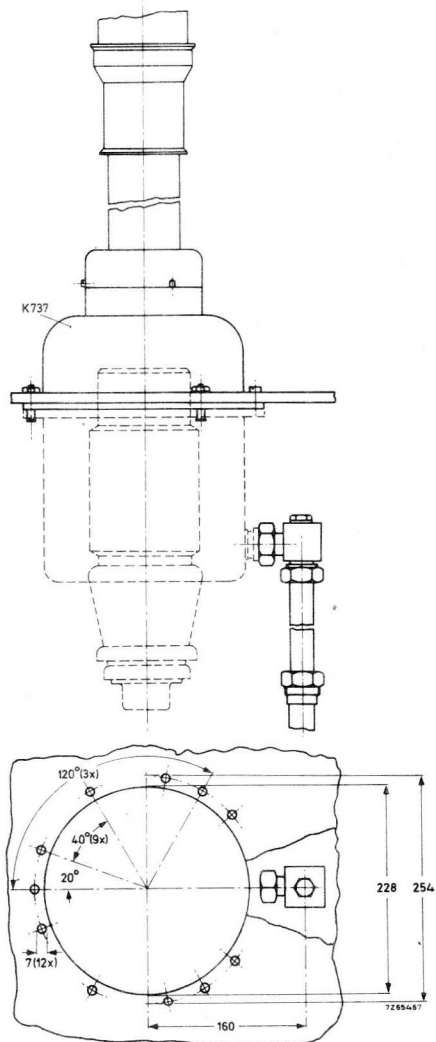
ACCESSORIES

Filament connector with cable	type	40695	net mass	1,4	kg
Filament/cathode connector with cable	type	40696	net mass	1,6	kg
Grid connector	type	40737	net mass	525	g
Boiler condenser (YD1203 only)	type	K735	net mass	70	kg
Water level control (YD1204 only)	type	40735	net mass	8,5	kg

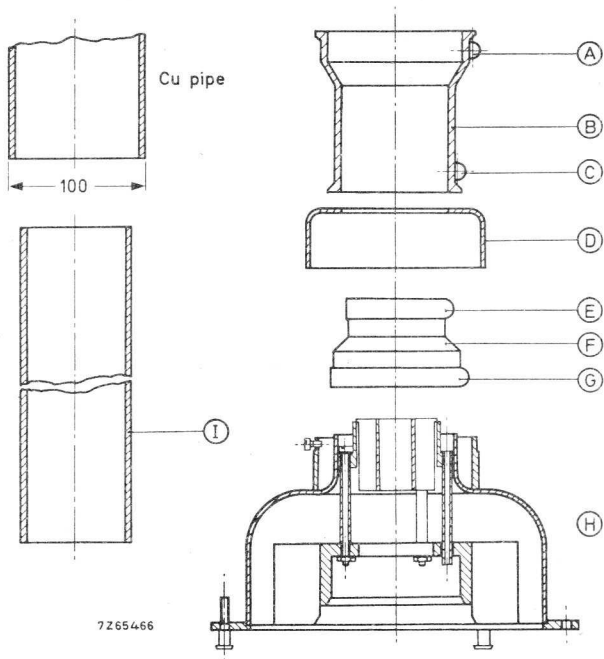
* 100 kPa ≈ 1 at

BOILER ASSEMBLY YD1204

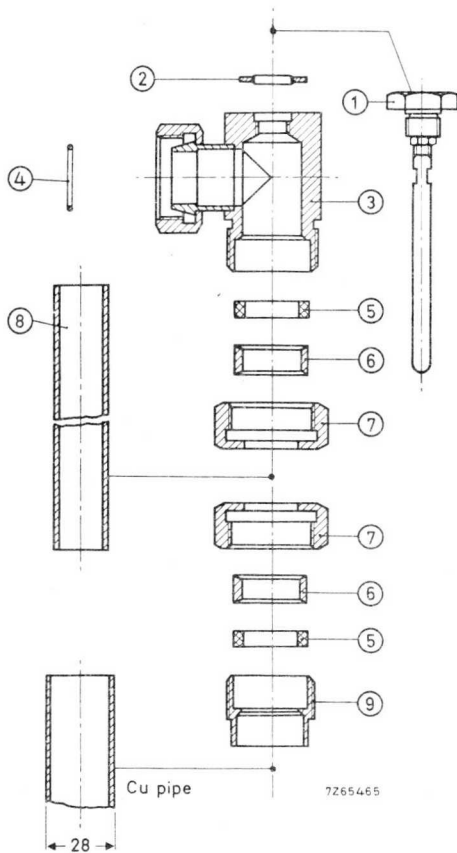
Dimensions in mm



PARTS OF BOILER YD1204



	description	catalogue number
A	Compression ring	9390 098 40002
B	Collar	9390 098 60002
C	Compression ring	9390 098 70002
D	Collar	9390 228 20002
E	Compression ring	9390 228 30002
F	Collar	9390 130 40002
G	Compression ring	9390 228 40002
H	Boiler hood	8222 033 73530
I	Quartz pipe	9390 098 10002



	description	catalogue number
1	Anti-corrosion pin	9390 245 10002
2	Gasket	2622 080 02801
3	90° joint	8222 033 73630
4	Gasket	2622 080 30721
5	Gasket	9390 098 80002
6	Gasket	9390 098 50002
7	Compression nut	9390 098 90002
8	Quartz pipe	9390 088 30002
9	Reduction collar	9390 099 00002

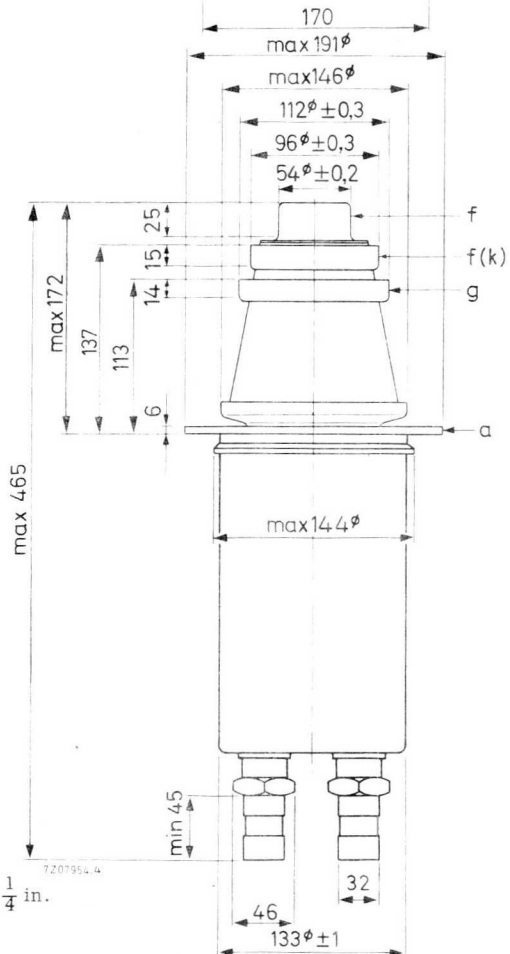
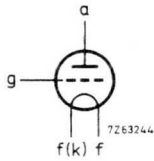
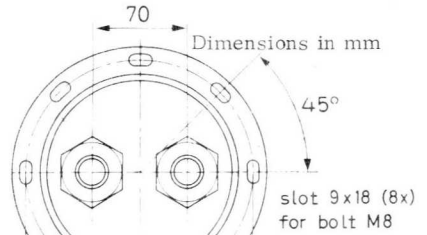
YD1202
YD1203
YD1204

YD1202

MECHANICAL DATA

Mounting position : vertical, anode up or down

Net mass : approx. 11,5 kg



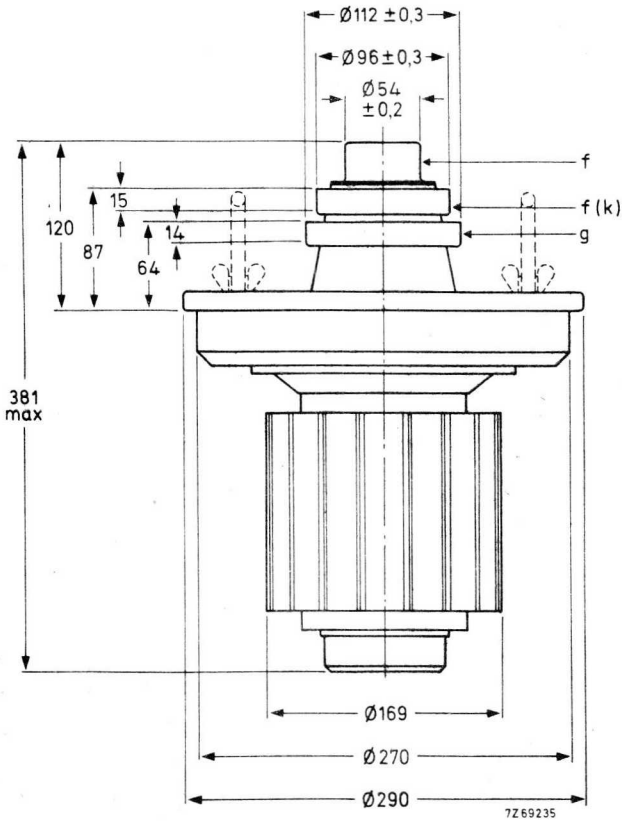
Thread of water connections BSP 1 $\frac{1}{4}$ in.

With the anode up the water inlet and outlet connections should be interchanged.

YD1203

Mounting position : vertical with anode down

Net mass : approx. 19,8 kg



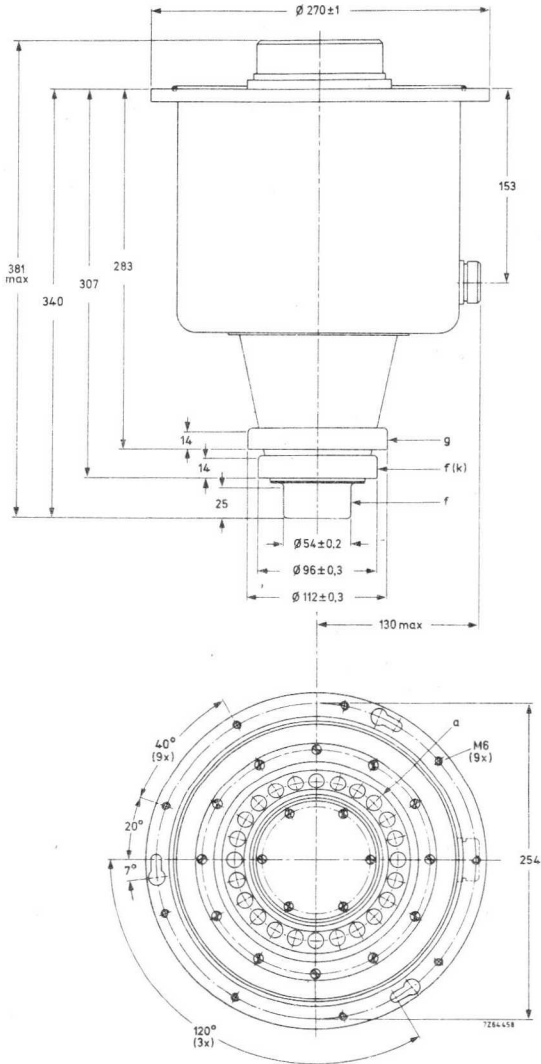
Note : The handles should be removed before switching on the tube.

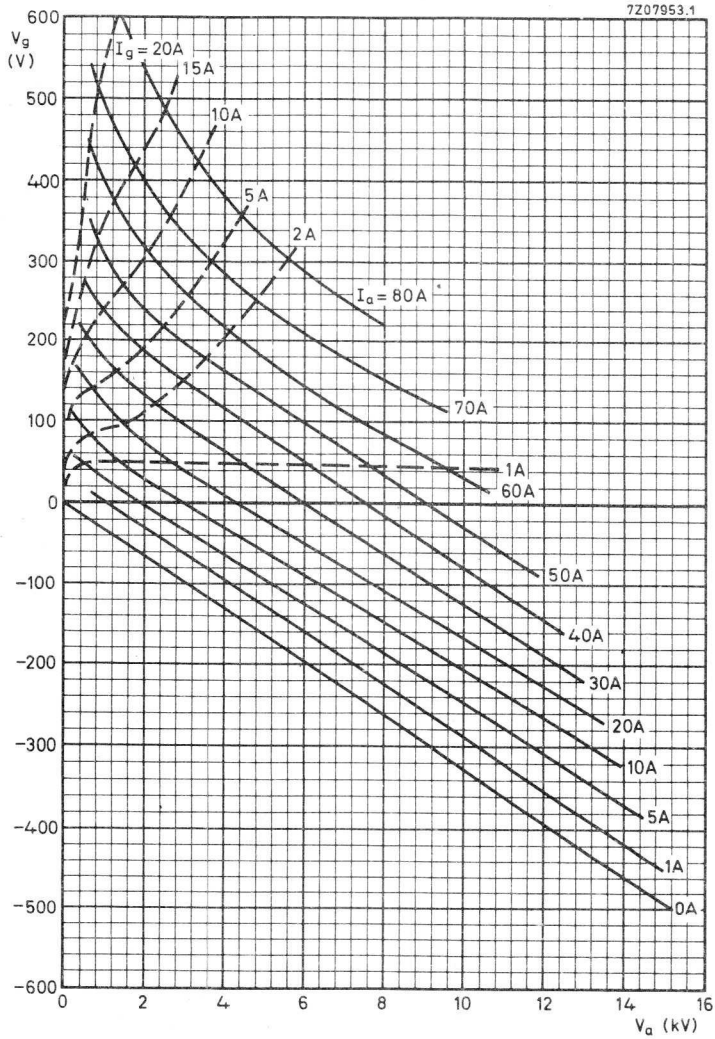
YD1202
 YD1203
 YD1204

YD1204

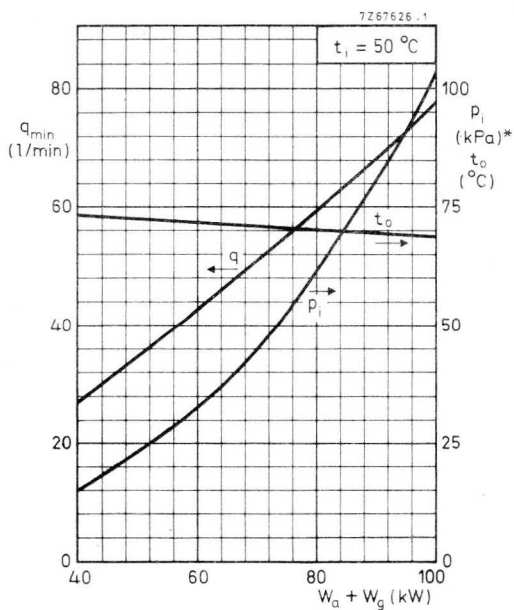
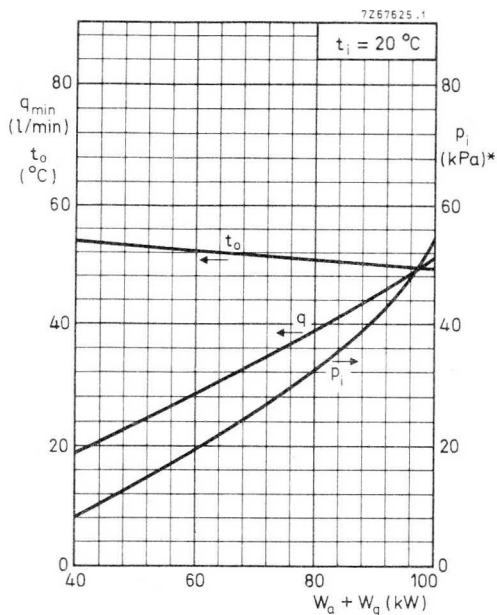
Mounting position : vertical with anode up

Net mass : approx. 17 kg



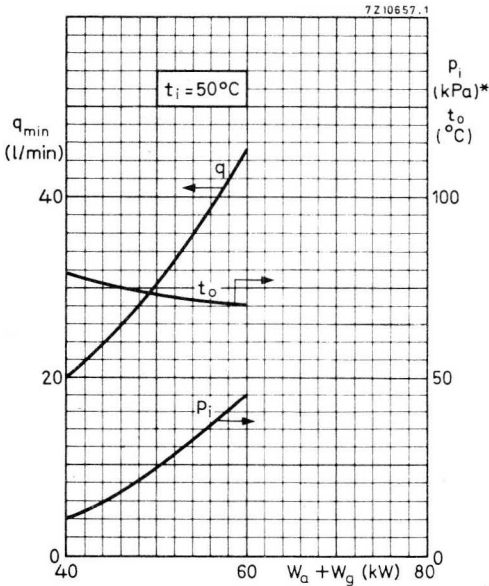
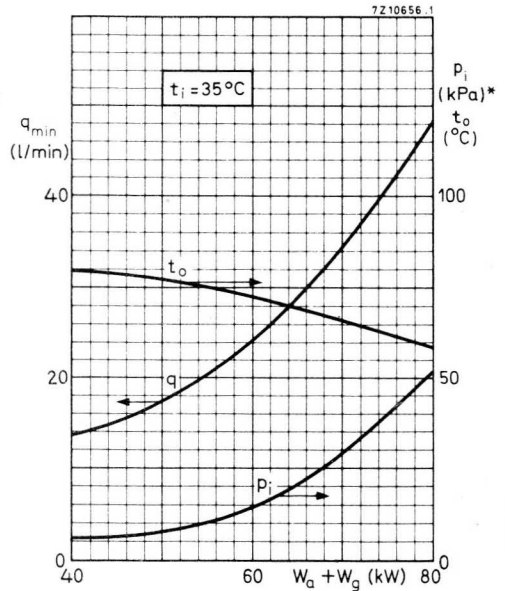
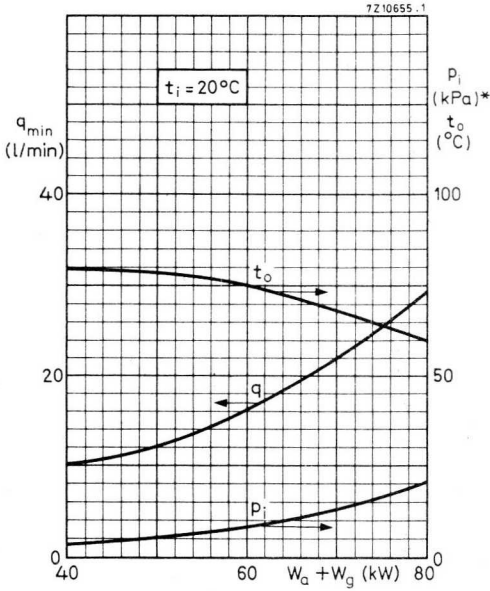


YD1202



* 100 kPa \approx 1 at

YD1203



* 100 kPa \approx 1 at

INDUSTRIAL R.F. TRIODE

Triodes in metal-ceramic construction intended for use as industrial oscillators.
The YD1212 has an integral water cooler.
The YD1213 is vapour cooled.

QUICK REFERENCE DATA

Oscillator output power ($W_o - W_{\text{feedb}}$), typical	W_{osc}	240 kW
Frequency for full ratings	f max.	100 MHz

To be read in conjunction with "General Operational Recommendations Transmitting Tubes for Communication, Tubes for R. F. Heating".

R.F. CLASS C OSCILLATOR FOR INDUSTRIAL USE

OPERATING CONDITIONS

Frequency	f	30 MHz
Oscillator output power ($W_o - W_{\text{feedb}}$)	W_{osc}	240 kW
Anode voltage	V_a	14 kV
Anode current	I_a	23,5 A
Anode input power	W_{ia}	329 kW
Anode dissipation	W_a	81,5 kW
Anode output power	W_o	247,5 kW
Anode efficiency	η_a	75,2 %
Oscillator efficiency	η_{osc}	73 %
Feedback ratio	V_{gp}/V_{ap}	10,4 %
Grid resistor	R_g	135 Ω
Grid current, on load	I_g	6 A
Grid voltage, negative	V_g	-810 V
Grid dissipation	W_g	2,6 kW
Grid resistor dissipation	W_{Rg}	4,86 kW

LIMITING VALUES (Absolute max. rating system)

Frequency for full ratings	f	up to	100	MHz ¹⁾
Anode voltage	V_a	max.	16,8	kV
Anode current	I_a	max.	25	A
Anode input power	W_{ia}	max.	375	kW
Anode dissipation	W_a	max.	120	kW
Grid voltage	$-V_g$	max.	2	kV
Grid current, on load off load	I_g	max.	7	A
	I_g	max.	8,5	A
Grid dissipation	W_g	max.	3	kW
Grid circuit resistance	R_g	max.	10	k Ω
Cathode current, mean peak	I_k	max.	31	A
	I_{kp}	max.	175	A
Envelope temperature	t_{env}	max.	240	$^{\circ}C$

HEATING : direct; filament thoriated tungsten

Filament voltage	V_f		12,6	V
Filament current	I_f		380	A
Peak filament starting current	I_{fp}	max.	2000	A
Cold filament resistance	R_{fo}		3,6	m Ω

The filament is designed to accept temporary fluctuations of +5% and -10%.

To ensure that the cathode temperature remains constant irrespective of the operating frequency, it may be necessary to reduce the filament voltage at higher frequencies. When doing so it must be borne in mind that the filament voltage-to-current ratio measured with only the filament voltage applied should remain constant under all operating conditions.

It is extremely important that the filament be properly decoupled. This should be so done that the resonance of the circuit formed by the filament and decoupling elements remains below the fundamental oscillator frequency. In grounded-grid circuits this resonance should be below the grid-cathode resonance. For further information please see Application Book "Tubes for R. F. heating" or contact the manufacturer.

CAPACITANCES

Anode to filament	C_{af}		3	pF
Grid to filament	C_{gf}		185	pF
Anode to grid	C_{ag}		60	pF

¹⁾ When the tubes are to be used at frequencies above 30 MHz the manufacturer should be consulted for more detailed information.

CHARACTERISTICS measured at $V_a = 14$ kV, $I_a = 10$ A

Transconductance	S	190	mA/V
Amplification factor	μ	40	

COOLING

To obtain optimum life, the seal/envelope temperature under normal operating conditions should be kept below 200 °C.

At low frequencies the seals are sufficiently cooled if the filament connectors are water-cooled by a flow of about 0,5 ℓ /min. At higher frequencies, however, an additional airflow of about 4 m^3 /min must be led along the seals from a 50 mm diameter nozzle positioned at a distance of 250 mm from the tube header.

YD1212

See also cooling curves

Anode + grid dissipation $W_a + W_g$ (kW)	Inlet temperature t_i (°C)	Rate of flow q_{min} (ℓ /min)	Pressure drop p_i (kPa*)	Outlet temperature t_o (°C)
120	20	60	70	50
	50	90	130	77
80	20	34	30	54
	50	54	55	72
40	20	15	7	60
	50	24	13	70

Absolute max. water inlet temperature t_i 50 °C

Absolute max. water pressure p 600 kPa(abs)

YD1213

See also cooling curves

With integrated boiler condenser type K733

Anode + grid dissipation $W_a + W_g$ (kW)	Inlet temperature t_i (°C)	Rate of flow q_{min} (ℓ /min)	Pressure drop p_i (kPa*)	Outlet temperature t_o (°C)
120	20	59	84	50
80	20	29	20	61
	35	48	51	61
40	20	10	4	81
	35	13,5	6	81
	50	20	10	81

*100 kPa \approx 1 at.

YD1212 YD1213

ACCESSORIES

Filament connector with cable	type	40695	net mass	1,4 kg
Filament/cathode connector with cable	type	40696	net mass	1,6 kg
Grid connector $f \leq 4$ MHz $f > 4$ MHz	type	40694	net mass	270 g
	type	40737	net mass	525 g
Boiler condenser (YD1213 only)	type	K733	net mass	70 kg

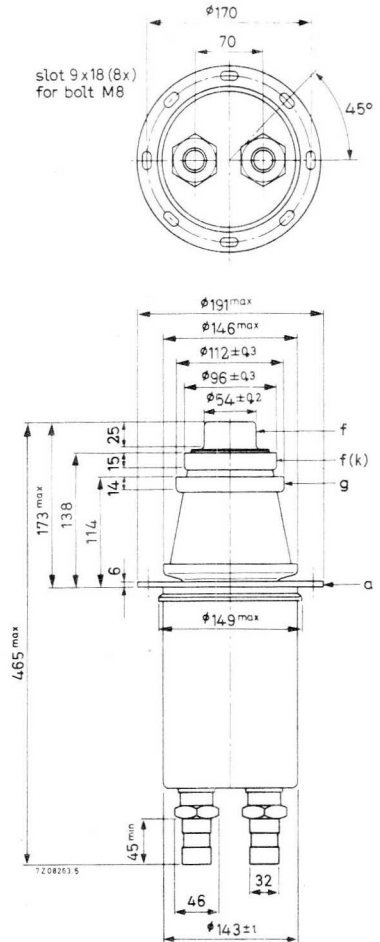
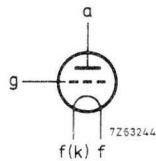
MECHANICAL DATA

YD1212

Mounting position : vertical with
anode up or down

Net mass : approx. 15,6 kg

Dimensions in mm



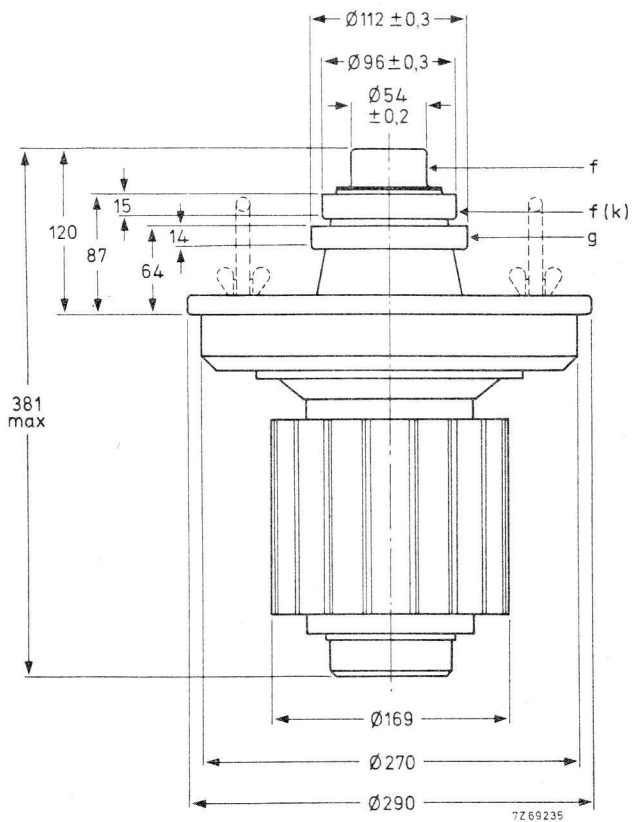
Thread of water connections BSP $1\frac{1}{4}$ in.

With anode up the water inlet and outlet connections should be interchanged.

YD1213

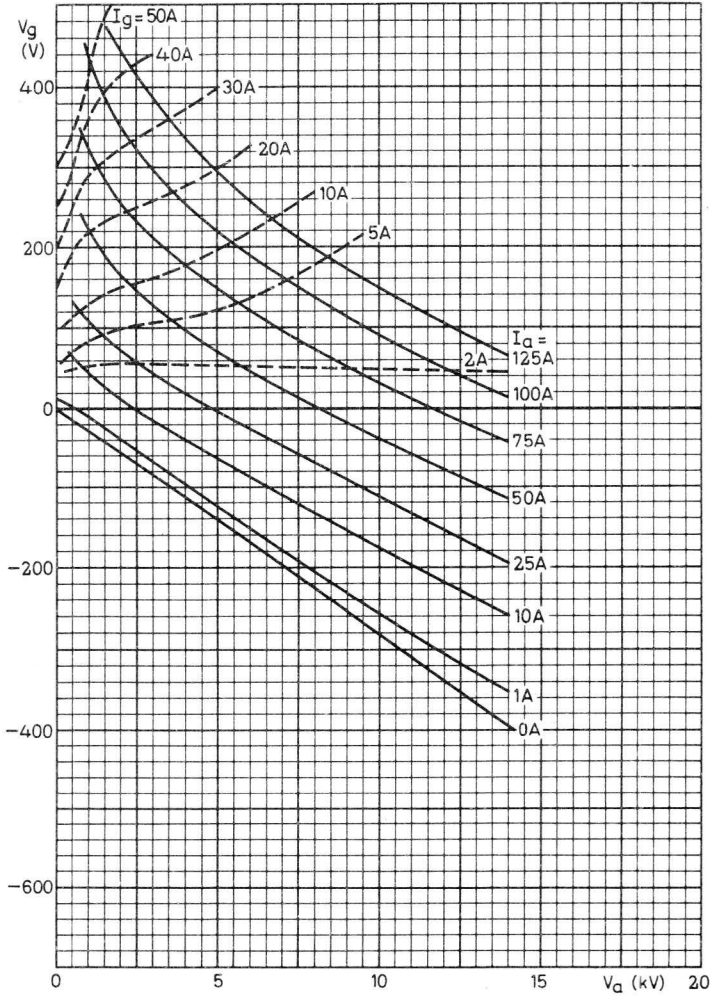
Mounting position : vertical with anode down

Net mass : approx. 19,8 kg

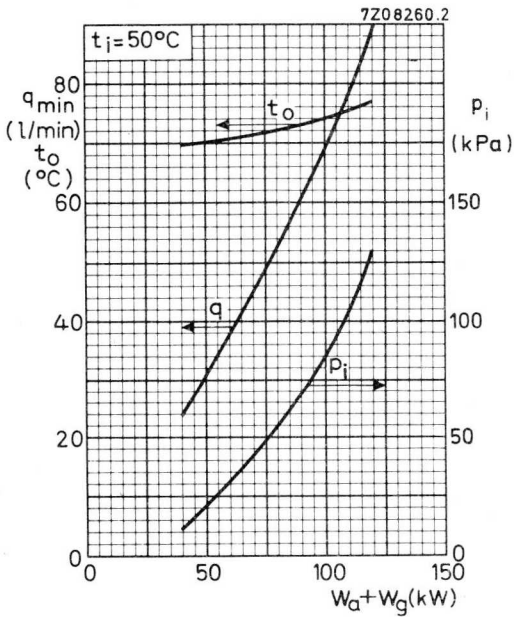
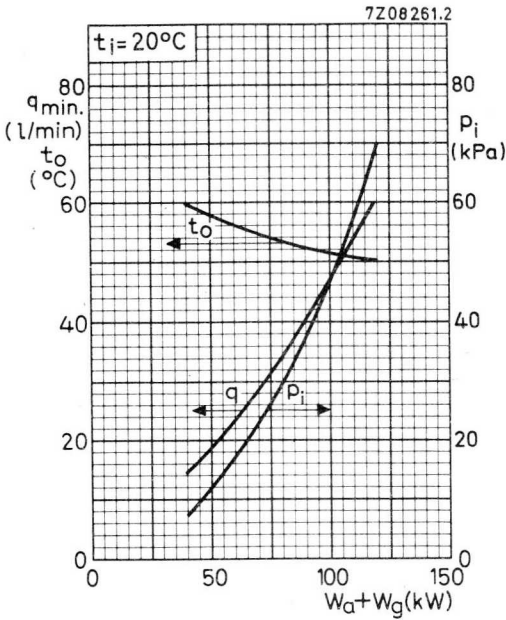


Note: The handles should be removed before switching on the tube.

7208262.1

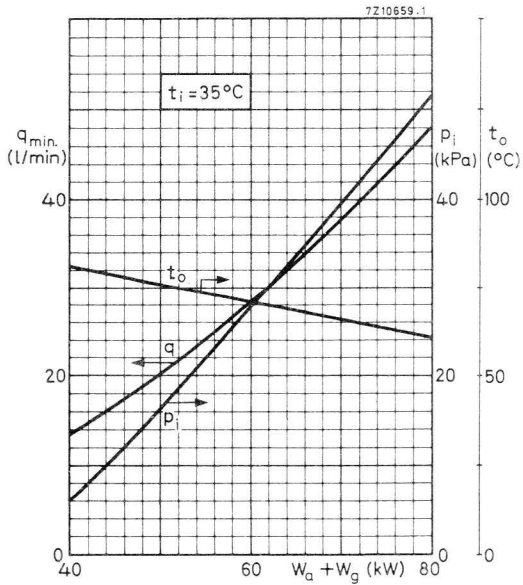
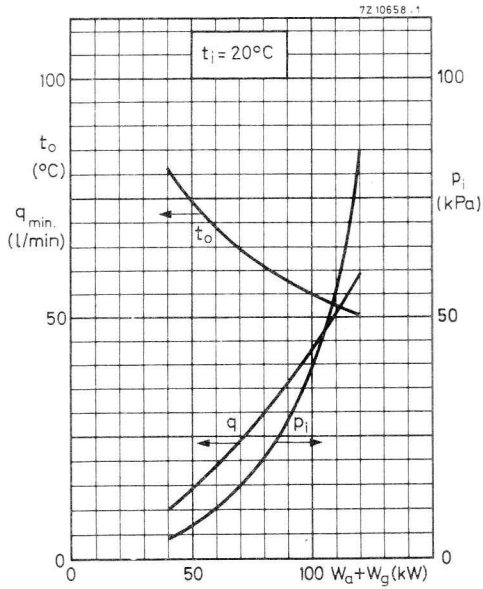


YD1212



100 kPa \approx 1 at.

YD1213



100 kPa \approx 1 at.

AIR COOLED R.F. INDUSTRIAL TRIODE

Air-cooled triode of metal-ceramic construction with integral cooler intended for use as an industrial oscillator.

QUICK REFERENCE DATA

Oscillator output power ($W_o - W_{\text{feedb}}$), typical	W_{osc}	2.67	kW
Frequency for full ratings	f max.	250	MHz

To be read in conjunction with "General Recommendations Transmitting tubes, Tubes for R.F. heating".

R.F. CLASS C OSCILLATOR FOR INDUSTRIAL USE

OPERATING CONDITIONS

Frequency	f	160	27.12	MHz
Filament voltage	V_f	6.0	6.3	V
Oscillator output power ($W_o - W_{\text{feedb}}$)	W_{osc}	2.22	2.67	kW
Anode voltage	V_a	4.5	5.0	kV
Anode current	I_a	700	750	mA
Anode input power	W_{i_a}	3.15	3.75	kW
Anode dissipation	W_a	0.75	0.83	kW
Anode output power	W_o	2.4	2.9	kW
Anode efficiency	η_a	76	78	%
Oscillator efficiency	η_{osc}	71	71	%
Feedback ratio	V_{gp}/V_{ap}	17	17	%
Grid resistor	R_g	2.2	2.2	$k\Omega$
Grid current, on load	I_g	225	235	mA
Grid voltage, negative	$-V_g$	495	517	V
Grid dissipation	W_g	70	80	W
Grid resistor dissipation	W_{R_g}	111	121	W

LIMITING VALUES (Absolute max. rating system)

Frequency for full ratings	f	up to	250	MHz
Anode voltage	V_a	max.	5.5	kV
Anode current	I_a	max.	1.1	A
Anode input power	W_{ia}	max.	6.0	kW
Anode dissipation	W_a	max.	1.5	kW
Grid voltage	$-V_g$	max.	1.0	kV
Grid current, on load	I_g	max.	280	mA
off load	I_g	max.	400	mA
Grid dissipation	W_g	max.	150	W
Grid circuit resistance	R_g	max.	20	$k\Omega$
Cathode current, mean	I_k	max.	1.4	A
peak	I_{kp}	max.	8	A
Envelope temperature	t_{env}	max.	240	$^{\circ}C$

HEATING :direct; filament thoriated tungsten

Filament voltage	(f ≤ 120 MHz)	V_f	6.3	V
	(f > 120 MHz)	V_f	6.0	V
Filament current at $V_f = 6.3$ V		I_f	33	A

The filament is designed to accept temporary fluctuations of +5 % and -10 %.

It is extremely important that the filament be properly decoupled. This should be so done that the resonance of the circuit formed by the filament and decoupling elements remains below the fundamental oscillator frequency. In grounded-grid circuits this resonance should be below the grid-cathode resonance. For further information please see Application Book "Tubes for R.F. heating" or contact the manufacturer.

CAPACITANCES

Anode to filament	C_{af}	0.4	pF
Grid to filament	C_{gf}	17	pF
Anode to grid	C_{ag}	14	pF

CHARACTERISTICS measured at $V_a = 2.0$ kV, $I_a = 0.5$ A

Transconductance	S	10	mA/V
Amplification factor	μ	20	

COOLING

See cooling curves.

A low velocity air flow directed to the seals may be required.

To obtain optimum life, the temperature of the seals and of the envelope should, under normal operating conditions, be kept below 200 °C.

To maintain these temperatures additional cooling maybe necessary. At frequencies higher than about 4 MHz cooling of the seals becomes mandatory.

ACCESSORIES

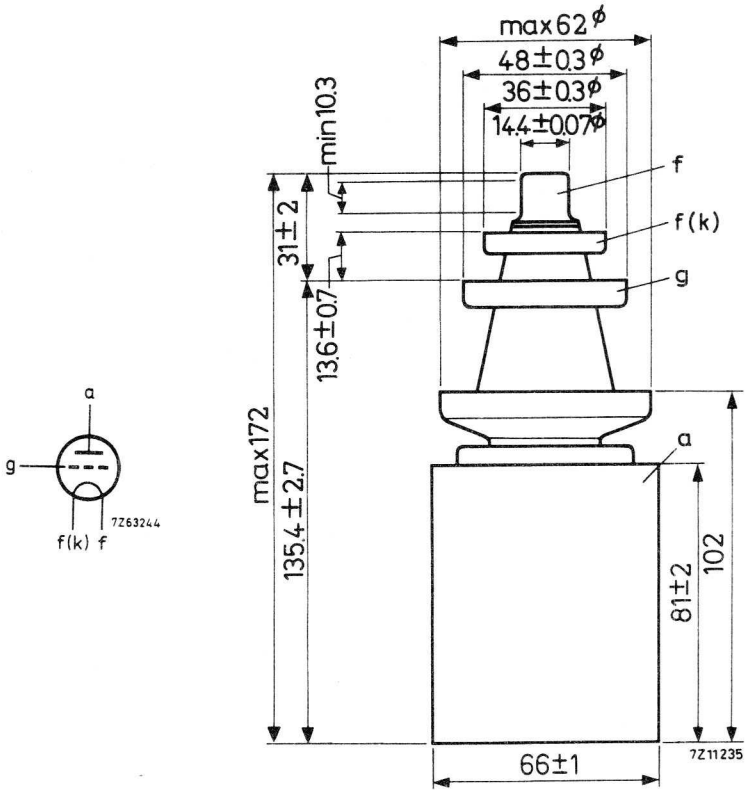
Filament connector		type	40688
Filament/cathode connector		type	40689
Grid connector	f < 30 MHz	type	40686
	f > 30 MHz	type	40687

MECHANICAL DATA

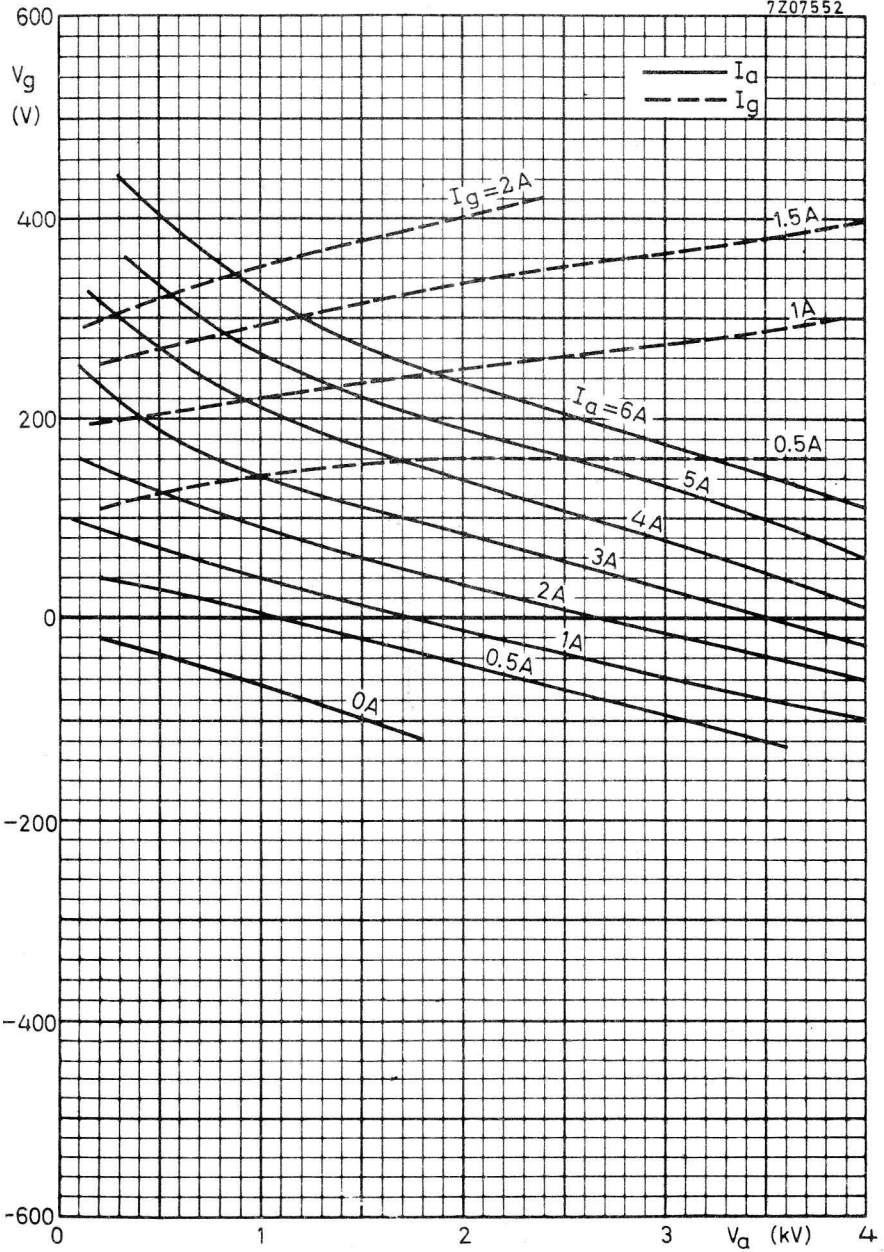
Dimensions in mm

Mounting position: vertical with anode up or down.

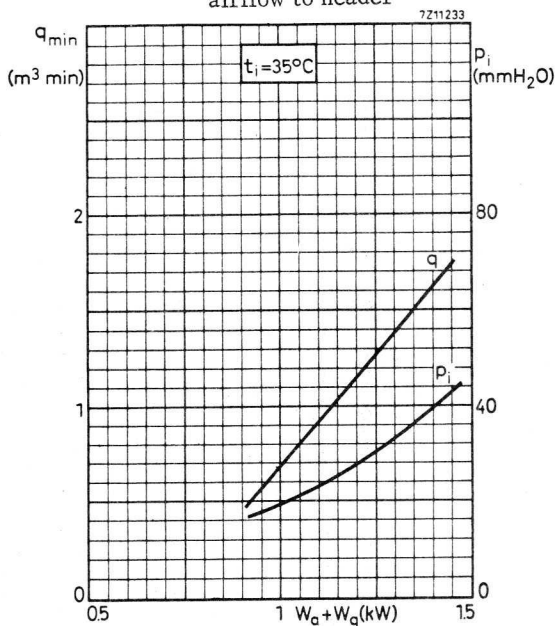
Net weight: approx. 1.13 kg



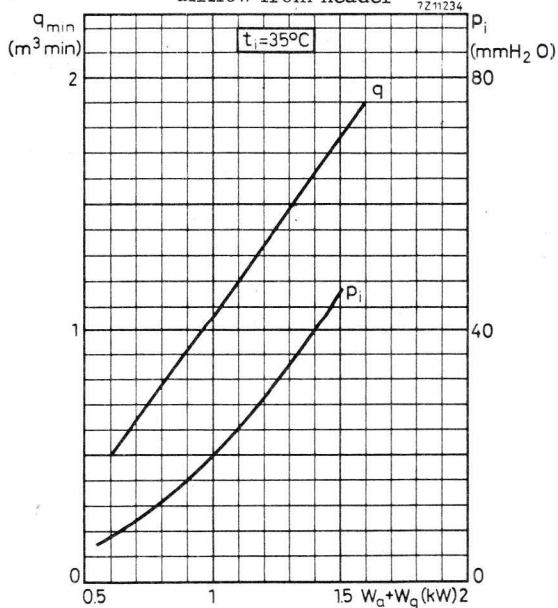
7Z07552



airflow to header



airflow from header



AIR COOLED R.F. POWER TRIODE

Forced-air cooled coaxial power triode in metal-ceramic construction primarily intended for use as a R.F. class AB linear broad-band amplifier in TV transposer service at frequencies up to 1000 MHz.

QUICK REFERENCE DATA

Transposer service (combined sound and vision)

Frequency	f	470	to	860	MHz
Anode voltage	V_a			1700	V
Output power in load	W_ℓ			35	W
Power gain	G			20	dB

Vision amplifier

Frequency	f	470	to	860	MHz
Anode voltage	V_a			1700	V
Output power in load	W_ℓ			35	W
Power gain	G			20	dB

HEATING : indirect by a. c. or d. c. ; oxide coated cathode.

Heater voltage	V_f	5	$V \pm 5\%$ ¹⁾
Heater current	I_f	2, 1	A
Cathode heating time	T_h min.	120	s

CAPACITANCES

Anode to grid	C_{ag}	3, 5	pF
Grid to cathode and heater	$C_{g/kf}$	17	pF
Anode to cathode and heater	$C_{a/kf}$	0, 05	pF

TYPICAL CHARACTERISTICS

Anode voltage	V_a	1700	V
Anode current	I_a	170	mA
Transconductance	S	55	mA/V
Amplification factor	μ	200	

¹⁾ For optimum transposer performance (linearity) $\pm 2\%$.

TEMPERATURE LIMITS

Absolute max. anode and seal temperature $t_{max.}$ 150 °C

COOLING

Forced air

W_a (W)	t_i (°C)	q_{min} (l/min)	p_i (mm H ₂ O)
300	up to	550	85
250	45	400	52

Recommended air duct see page 4.

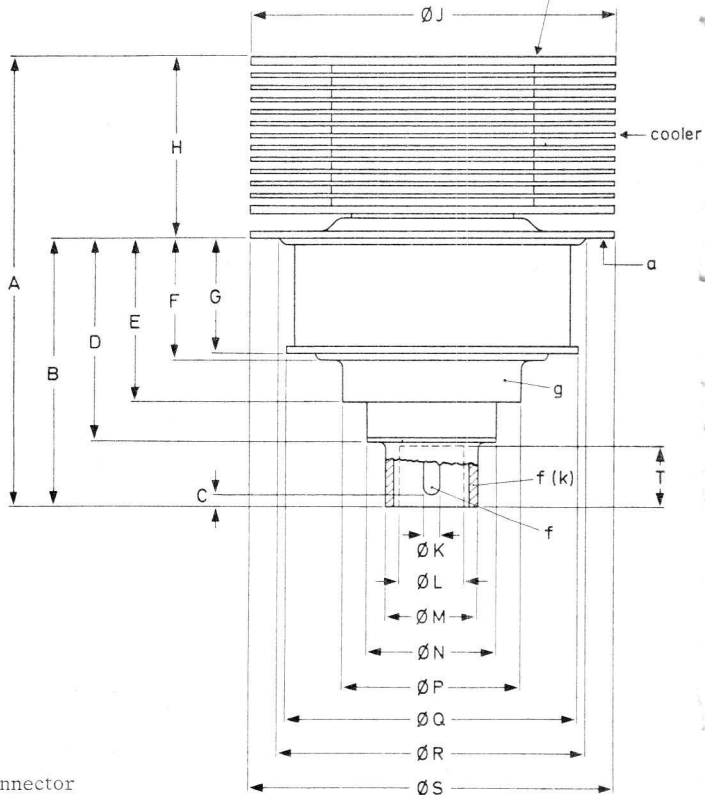
MECHANICAL DATA

Dimensions in mm

Net weight: approx. 180 g.

reference point for anode temperature measurements

	min.	max.
A	52,2	55,2
B	32,2	34,2
C	0,9	2,3
D	25,0	26,4
E	19,9	21,9
F	14	15
G	13,5	14,5
H	20	21
J	44,6	45,4
K	1,9	2,1
L ¹⁾	8	
M	11,3	11,7
N	15,8	16,4
P	22,6	23,0
Q	35,8	36,2
R	38	39
S	44,6	45,4
T ¹⁾	7,5	



¹⁾ Available for heater connector

R.F. CLASS AB AMPLIFIER FOR TV TRANSPOSER SERVICE, grounded grid

LIMITING VALUES (Absolute max. rating system)

Frequency	f	up to	1000	MHz
Anode voltage	V_a	max.	2000	V
Grid voltage	$-V_g$	max.	50	V
Anode dissipation	W_a	max.	300	W
Grid current	I_g	max.	5	mA
Cathode current	I_k	max.	200	mA

OPERATING CONDITIONS, grounded grid

		CCIR standard L 1)	CCIR standard G 2)	
Frequency	f	470 to 860	470 to 860	MHz
Bandwidth (-1 dB)	B	9	9	MHz
Anode voltage	V_a	1700	1700	V
Grid voltage 3)	V_g	-5,8	-5,8	V
Grid current	I_g	≈ 0	≈ 0	mA
Anode current, no signal	I_a	120	120	mA
Anode current at c. w. output power = 35 W	I_a	170	170	mA
Driving power (peak white) (sync)	W_{dr}	0,35	0,35	W
Output power in load (peak white) (sync)	W_l	35	35	W
Power gain	G	20	20	dB
Intermodulation products 4)	d	-	≤ -52	dB
Differential phase		≤ 2	5) ≤ 2	°
Differential gain		≥ 96	5) ≥ 96	%

1) Positive modulation, negative synchronization, sound and vision separate.

2) Negative modulation, positive synchronization, combined sound and vision.

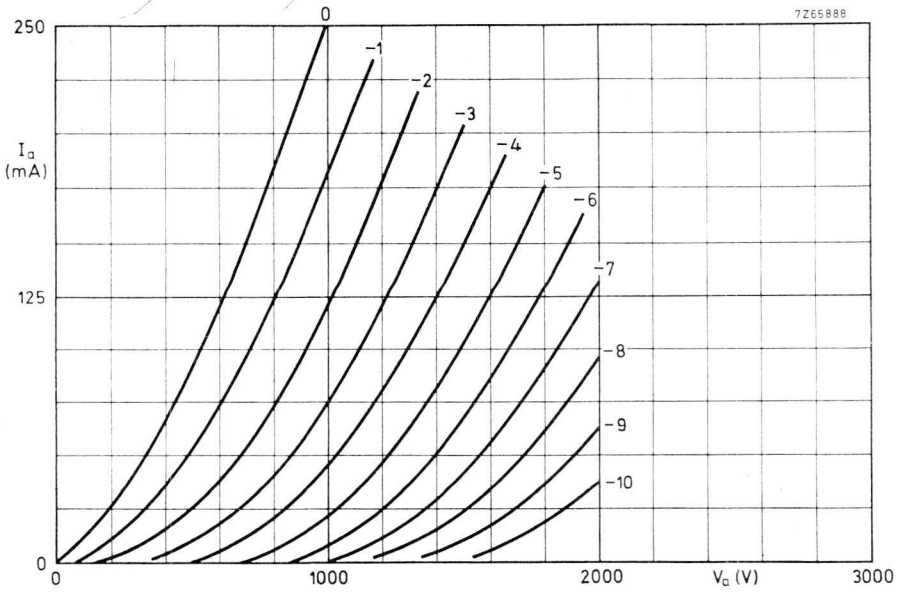
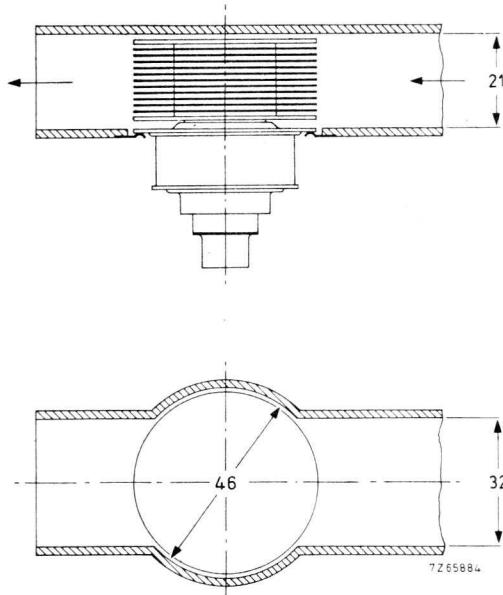
3) To be adjusted for the stated no-signal anode current.

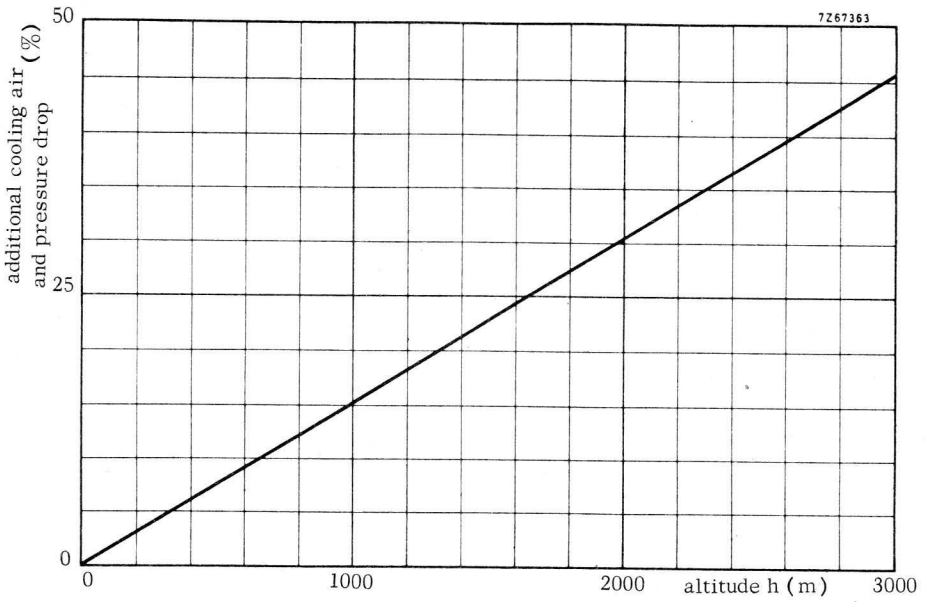
4) Three-tone test method (vision carrier -8 dB, sound carrier -7 dB, sideband signal -16 dB with respect to the sum signal amplitude of the composite signal).
Stated figure applies to a vision-to-sound power ratio of 5:1.
For a vision-to sound power ratio of 10:1: IM products ≤ -55 dB.

5) Measured with a saw-tooth amplitude running from 17 % to 75 % of the peak sync value, with superimposed a 4,43 MHz sinewave with a 10% peak-to-peak value.

Recommended air duct

Dimensions in mm





AIR COOLED R.F. POWER TRIODE

Forced-air cooled coaxial power triode in metal-ceramic construction primarily intended for use as a R.F. class AB linear broadband amplifier in TV transposer service at frequencies up to 1000 MHz.

QUICK REFERENCE DATA

Transposer service (combined sound and vision)			
Frequency	f	470 to 860	MHz
Anode voltage	V_a	1900	V
Output power in load (sync)	W_l	55	W
Power gain	G	19	dB

HEATING : indirect by a. c. or d. c. ; oxide coated cathode.

Heater voltage	V_f	5	$V \pm 5\%$ ¹⁾
Heater current	I_f	2,1	A
Cathode heating time	T_h min.	120	s

CAPACITANCES

Anode to grid	C_{ag}	3,5	pF
Grid to cathode and heater	$C_{g/kf}$	17	pF
Anode to cathode and heater	$C_{a/kf}$	0,05	pF

TYPICAL CHARACTERISTICS

Anode voltage	V_a	1900	V
Anode current	I_a	180	mA
Transconductance	S	60	mA/V
Amplification factor	μ	200	

TEMPERATURE LIMITS

Absolute max. seal temperature	t_s max.	150	$^{\circ}\text{C}$
Absolute max, anode temperature at reference point	t_a max.	100	$^{\circ}\text{C}$

¹⁾ For optimum transposer performance (linearity) $\pm 2\%$.

COOLING

Forced air

W_a (W)	t_i ($^{\circ}\text{C}$)	q_{min} (l/min)	P_i (mm H ₂ O)
325	up to	550	56
275	45	400	33

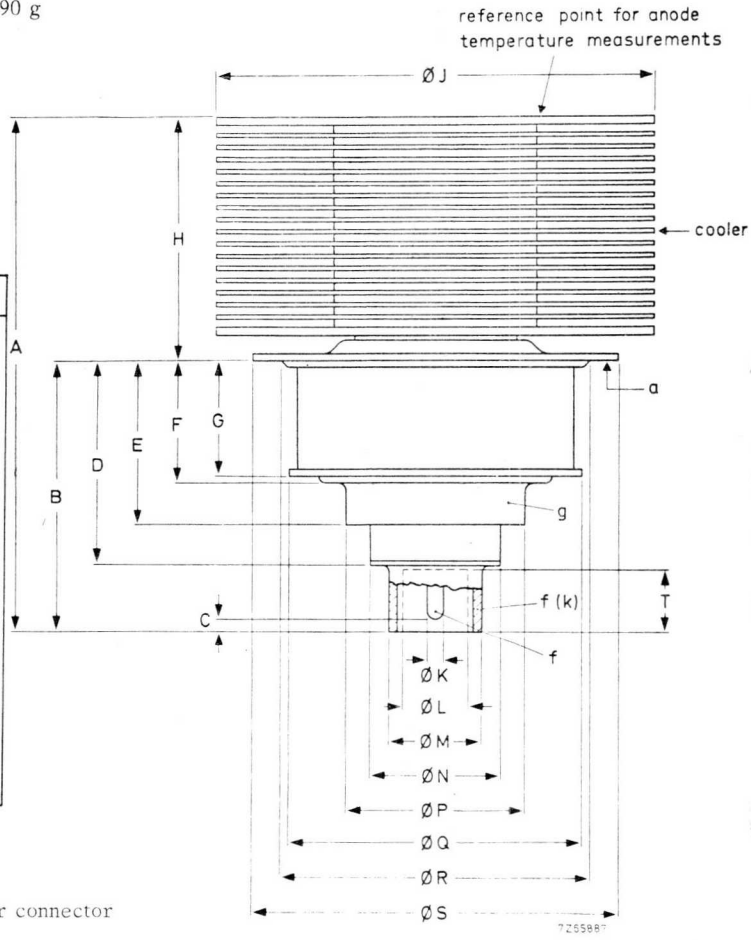
Recommended airduct see page 4.

MECHANICAL DATA

Dimensions in mm

Net weight : approx. 290 g

	min.	max.
A	61,2	64,2
B	32,2	34,2
C	0,9	2,3
D	25,0	26,4
E	19,9	21,9
F	14	15
G	13,5	14,5
H	29	30
J	53,9	54,1
K	1,9	2,1
L ¹⁾	8	
M	11,3	11,7
N	15,8	16,4
P	22,6	23,0
Q	35,8	36,2
R	38	39
S	44,6	45,4
T ¹⁾	7,5	



¹⁾ Available for heater connector

R.F. CLASS AB AMPLIFIER FOR TV TRANSPOSER SERVICE, grounded grid

LIMITING VALUES (Absolute max. rating system)

Frequency	f	up to	1000	MHz
Anode voltage	V_a	max.	2000	V
Grid voltage	$-V_g$	max.	50	V
Anode dissipation	W_a	max.	325	W
Grid current	I_g	max.	5	mA
Cathode current	I_k	max.	250	mA

OPERATING CONDITIONS, grounded grid

			CCIR standard G ¹⁾	
Frequency	f	470 to	860	MHz
Bandwidth (-1 dB)	B		9	MHz
Anode voltage	V_a		1900	V
Grid voltage 2)	V_g		-6,6	V
Grid current	I_g		≈ 0	mA
Anode current, no signal	I_a		130	mA
Anode current at zero dB level (vision carrier)	I_a		180	mA
Driving power (sync)	W_{dr}		0,7	W
Output power in load	W_f		55	W
Power gain	G		19	dB
Intermodulation products 3)	d		-54	dB
Differential phase 4)			2	°
Differential gain 4)			96	%

1) Negative modulation, positive synchronization, combined sound and vision.

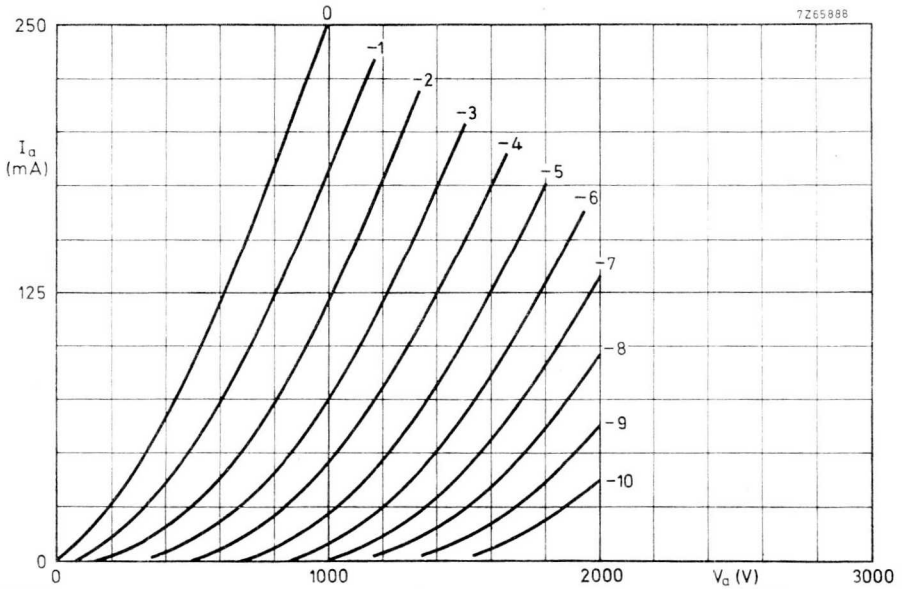
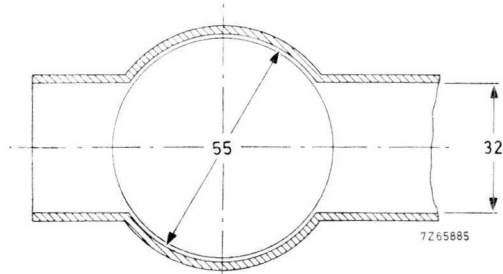
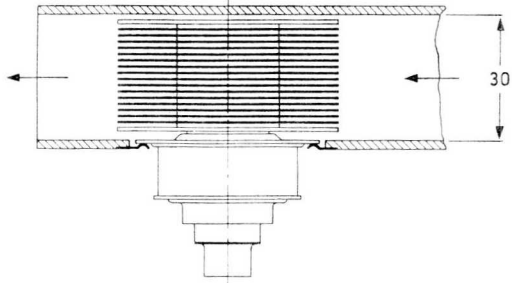
2) To be adjusted for the stated no-signal anode current.

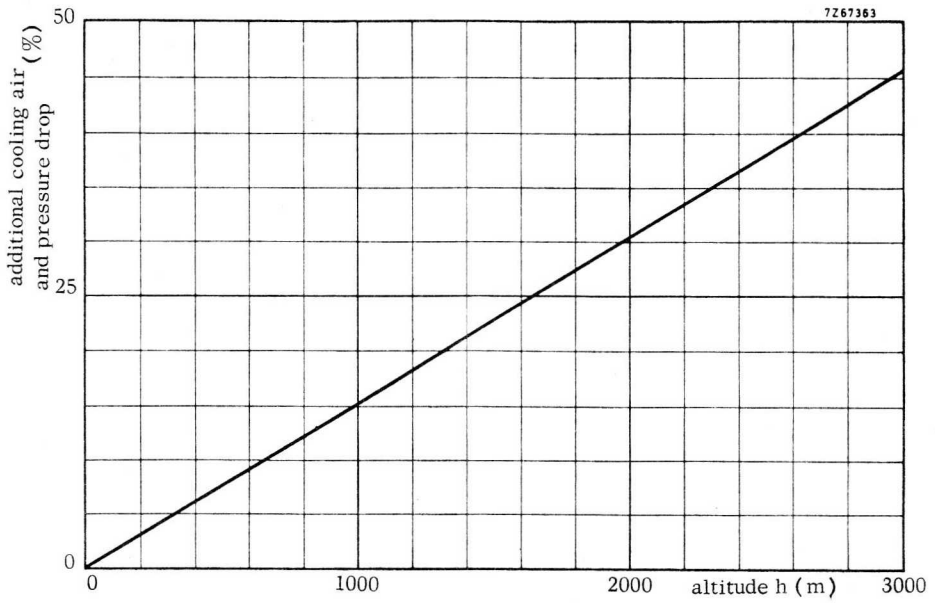
3) Three-tone test method (vision carrier -8 dB, sound carrier -7 dB, sideband signal -16 dB with respect to the sum signal amplitude of the composite signal).
Stated figure applies to a vision to sound power ratio of 5:1.
For a vision to sound power ratio of 10:1 : IM products ≤ -56 dB.

4) Measured with a saw-tooth amplitude running from 17 % to 75 % of the peak sync value, with superimposed a 4,43 MHz sinewave with a 10 % peak-to-peak value.

Recommended airduct

Dimensions in mm







CONDUCTION COOLED R.F. POWER TRIODE

Conduction cooled coaxial power triode in metal-ceramic construction primarily intended for use as an R. F. class-AB linear broad-band amplifier in TV transposer service at frequencies up to 1000 MHz.

QUICK REFERENCE DATA

Transposer service (combined sound and vision)

Frequency	f	470 to 860	MHz
Anode voltage	V_a	1200	V
Output power in load	W_l	25	W
Power gain	G	19	dB

HEATING: indirect by a. c. or d. c. ; oxide-coated cathode

Heater voltage ¹⁾	V_f	5	$V \pm 5\%$ ²⁾
Heater current	I_f	2, 1	A
Cathode heating time	T_h min.	120	s

CAPACITANCES

Anode to grid	C_{ag}	3,5	pF
Grid to cathode and heater	$C_{g/kf}$	17	pF
Anode to cathode and heater	$C_{a/kf}$	0,05	pF

TYPICAL CHARACTERISTICS

Anode voltage	V_a	1200	V
Anode current	I_a	150	mA
Transconductance	S	60	mA/V
Amplification factor	μ	200	

TEMPERATURE LIMITS

Absolute max. seal temperature	t_s max.	150	$^{\circ}\text{C}$
Absolute max. anode temperature at reference point			see curve page 4

Notes see page 3.

COOLING

Anode cooling

conduction-convection

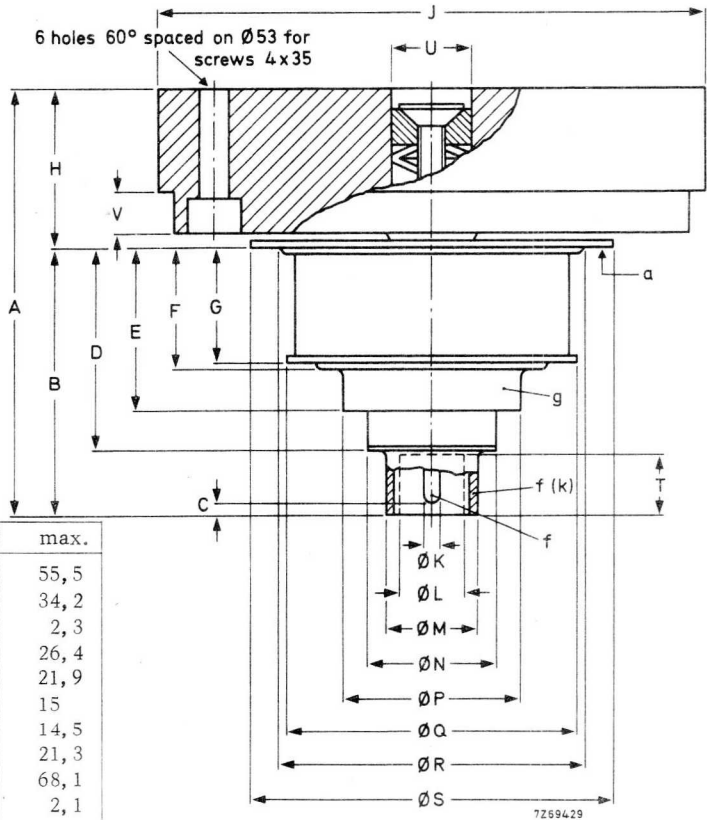
The anode is fitted with an aluminium flange, which permits the mounting of a radiator for convection cooling.

MECHANICAL DATA

Dimensions in mm

Mounting position : any

Net mass : approx. 230 g



	min.	max.
A	52,5	55,5
B	32,2	34,2
C	0,9	2,3
D	25,0	26,4
E	19,9	21,9
F	14	15
G	13,5	14,5
H	20,3	21,3
J	67,9	68,1
K	1,9	2,1
L	8	
M	11,3	11,7
N	15,8	16,4
P	22,6	23,0
Q	35,8	36,2
R	38	39
S	44,6	45,4
T	7,5	
U		10,6

R.F. CLASS-AB AMPLIFIER FOR TV TRANSPOSER SERVICE, grounded grid

LIMITING VALUES (Absolute max. rating system)

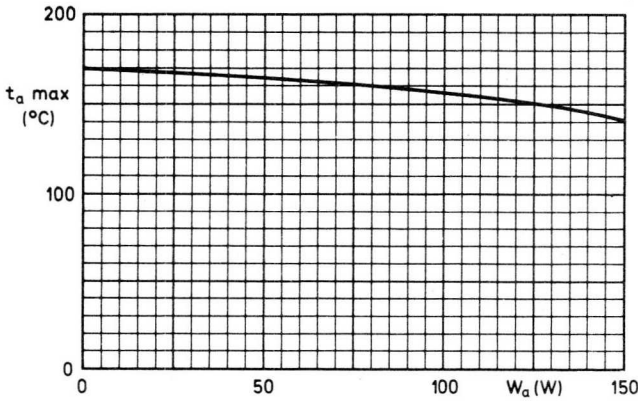
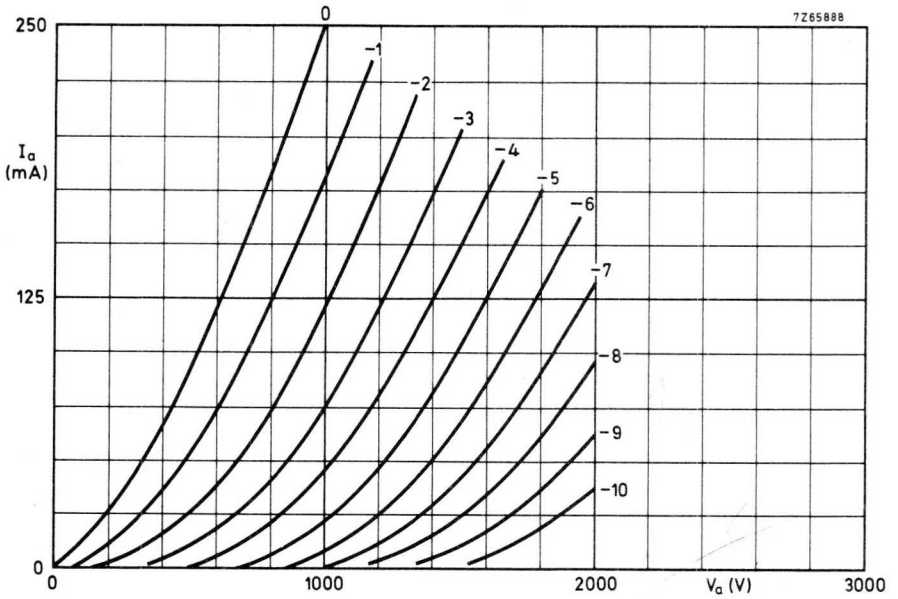
Frequency	f	up to	1000	MHz
Anode voltage	V_a	max.	2000	V
Grid voltage	$-V_g$	max.	50	V
Anode dissipation	W_a	max.	150	W
Grid current	I_g	max.	5	mA
Cathode current	I_k	max.	200	mA

OPERATING CONDITIONS, grounded grid

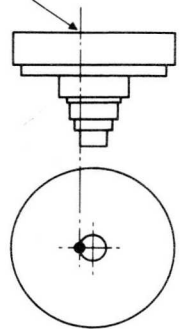
CCIR standard G³⁾

Frequency	f	470 to	860	MHz
Bandwidth (-1 dB)	B		9	MHz
Anode voltage	V_a		1200	V
Grid voltage ⁴⁾	V_g		-4, 5	V
Grid current	I_g		≈ 0	mA
Anode current, no signal	I_a		100	mA
Driving power (sync)	W_{dr}		0,3	W
Output power in load	W_l		25	W
Power gain	G		20	dB
Intermodulation products with respect to peak sync level ⁵⁾	d		-56	dB
			< -52	dB

- 1) After the circuit has been adjusted for proper tube operation, the heater voltage should be reduced (depending on frequency and operating conditions) to prevent overheating of the cathode by back bombardment (resulting in short life).
- 2) For optimum performance (linearity) the voltage set must be maintained within $\pm 2\%$.
- 3) Negative modulation, positive synchronization, combined sound and vision.
- 4) To be adjusted for the stated no-signal anode current.
- 5) Three-tone test method (vision carrier -8 dB, sound carrier -7 dB, sideband signal -17 dB with respect to the sum signal amplitude of the composite signal).
Figures apply to a vision to sound power ratio of 5:1.



reference point for temperature measurements



7269428

AIR COOLED R.F. POWER TRIODE

Forced-air cooled coaxial power triode in metal-ceramic construction primarily intended for use as R.F. class AB linear broadband amplifier in TV transposer service at frequencies up to 1000 MHz.

QUICK REFERENCE DATA

Frequency	f	370 to 860	MHz
Anode voltage	V_a	3000	V
Output power in load	W_l	220	W
Power gain	G	16,5	dB

HEATING : indirect, by a.c. (50 Hz to 400 Hz) or d.c.; oxide coated cathode.

Heater voltage	V_f	6,0 to 6,3	$V \pm 5\% \text{ } ^1)$
Heater current	I_f	4,8 to 5,8	A
Cathode heating time	T_h	min. 180	s

CAPACITANCES

Anode to grid	C_{ag}	6,8 to 8,0	pF
Grid to cathode and heater	$C_{g/kf}$	20 to 30	pF
Anode to cathode and heater	$C_{a/kf}$	90 to 180	fF

TYPICAL CHARACTERISTICS

Anode voltage	V_a	3	kV
Anode current	I_a	400	mA
Transconductance	S	70	mA/V
Amplification factor	μ	90	

TEMPERATURE LIMITS

Absolute max. temperature measured at reference points t max. 250 $^{\circ}\text{C}$

To obtain optimum life, this temperature should not exceed 200 $^{\circ}\text{C}$.

¹⁾ The heater voltage must be adjusted between 6,0 and 6,3 V.
For optimum performance (linearity) the voltage set must be maintained within $\pm 2\%$ for transposer service, or $\pm 5\%$ for other applications.

COOLING

Anode: forced air

W_a (W)	t_i (°C)	q_{min} (m ³ /min)	P_i (mm H ₂ O)
1800	25	2	180

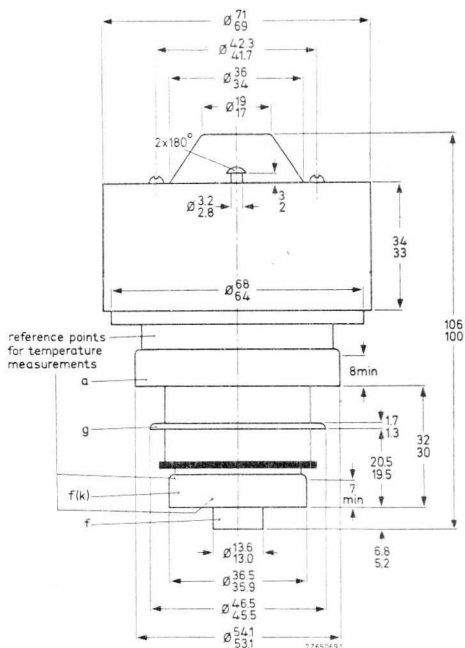
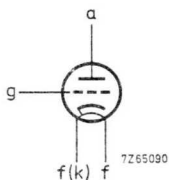
Other terminals: low velocity air flow.

When only the heater voltage is applied, the heater and heater/cathode terminals should also be cooled.

Cooling air and voltages may be switched off simultaneously.

MECHANICAL DATA

Dimensions in mm



The radiator and the terminals are situated within concentric cylinders of the following dimensions:

Radiator	72,0 dia
Anode terminal	55,1 dia
grid terminal	47,0 dia
Heater/cathode terminal	37,0 dia
Heater terminal	14,5 dia

R.F. CLASS AB AMPLIFIER FOR TV TRANSPOSER SERVICE

LIMITING VALUES (Absolute max. rating system)

Frequency	f	up to	1000	MHz
Anode voltage	V_a	max.	3500	V
Grid voltage	$-V_g$	max.	200	V
Anode dissipation	W_a	max.	1800	W
Grid current	I_g	max.	5	mA
Cathode current	I_k	max.	550	mA ¹⁾

OPERATING CONDITIONS, grounded grid

Standard		CCIR -G		^{2) 3)}
Frequency	f	470 to	860	MHz
Anode voltage	V_a		3000	V
Grid voltage ⁴⁾	V_g		-30	V
Anode current, no signal	I_a		420	mA
Anode current at zero dB level (vision carrier)	I_a		650	mA
Grid current	I_g	≈	0	mA
Driver output power (sync)	W_{dr}		7	W
Output power in load (sync)	W_l		220	W
Power gain	G		16,5	dB
Intermodulation products ⁵⁾	d		-55	dB
		<	-53	dB
Intermodulation products ⁶⁾	d		-57	dB
		<	-55	dB

¹⁾ During a short period, for adjustment of the transmitter, I_k max. = 700 mA.

²⁾ Negative modulation, positive synchronization, combined sound and vision.

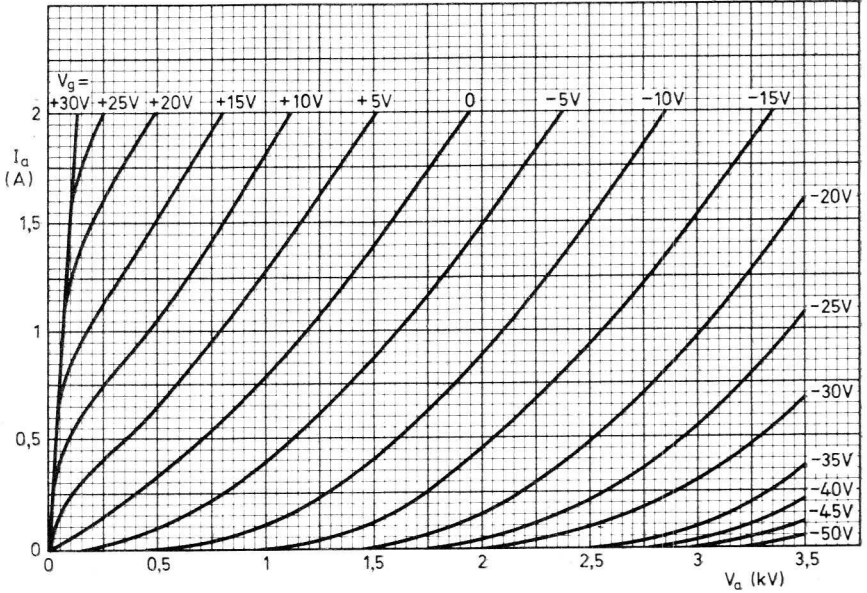
³⁾ R.F. driving power should be applied after the heater and electrode voltages.

⁴⁾ To be adjusted for the stated no-signal anode current. Range values for equipment design -15 to -45 V.

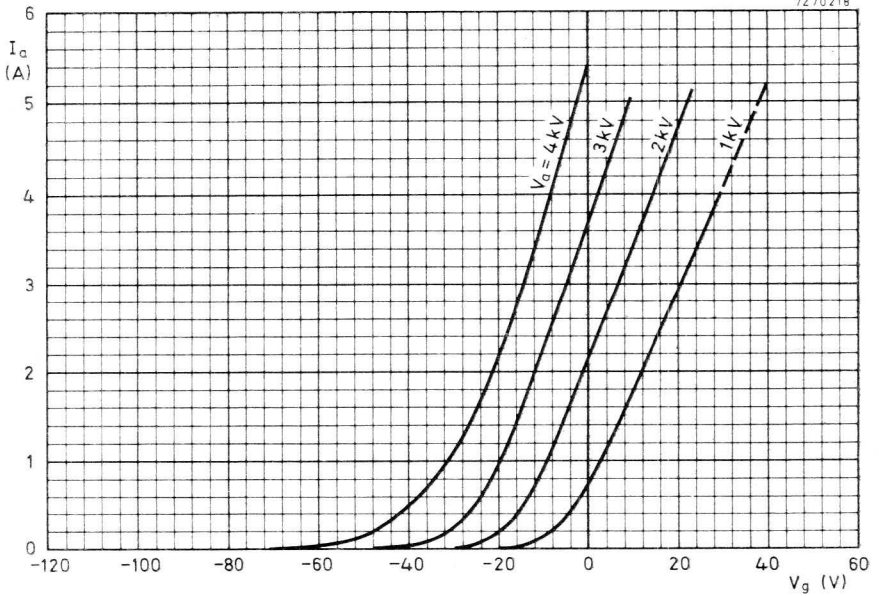
⁵⁾ Three-tone test method (vision carrier -8 dB, sound carrier -7 dB, sideband signal -17 dB with respect to peak sync level = 0 dB).

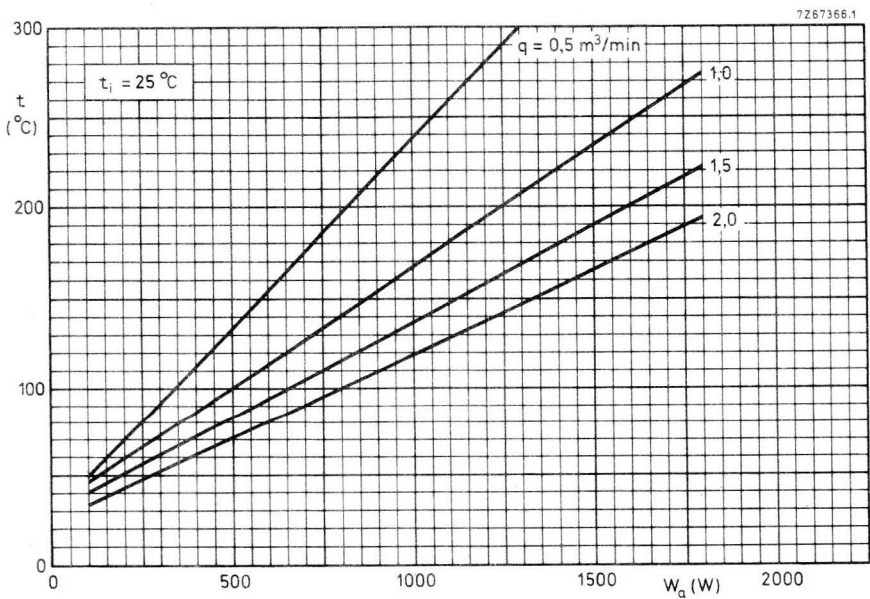
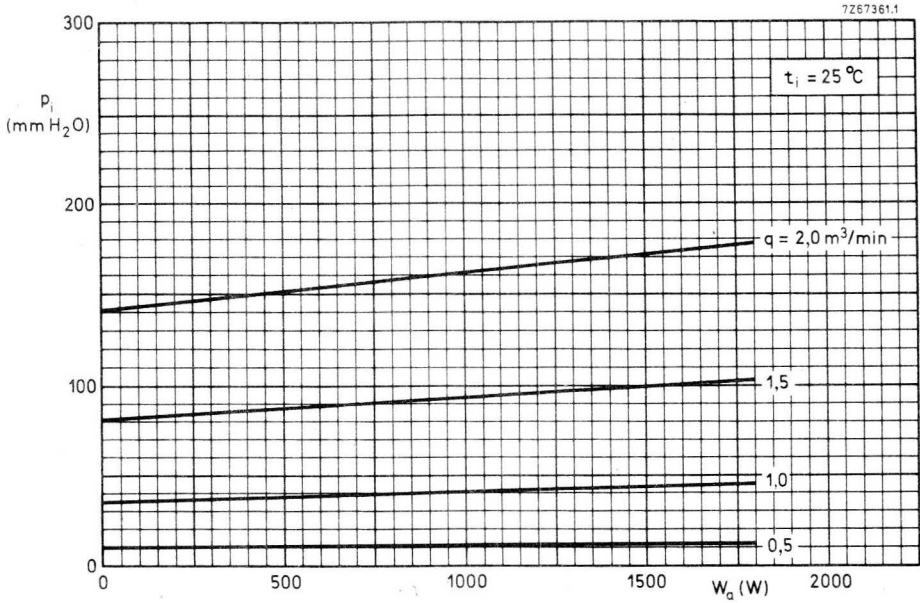
⁶⁾ Three-tone test method (vision carrier -8 dB, sound carrier -10 dB, sideband signal -16 dB with respect to peak sync level = 0 dB).

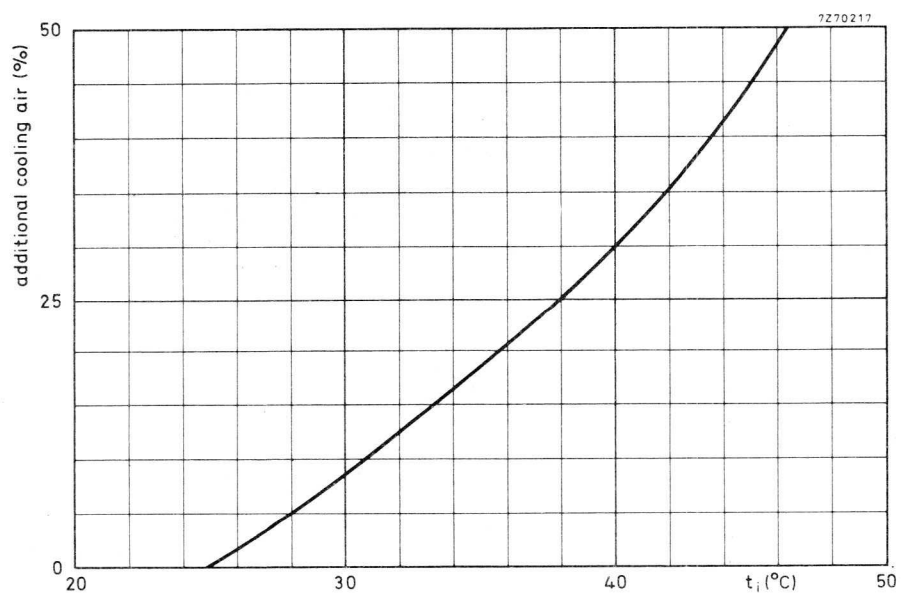
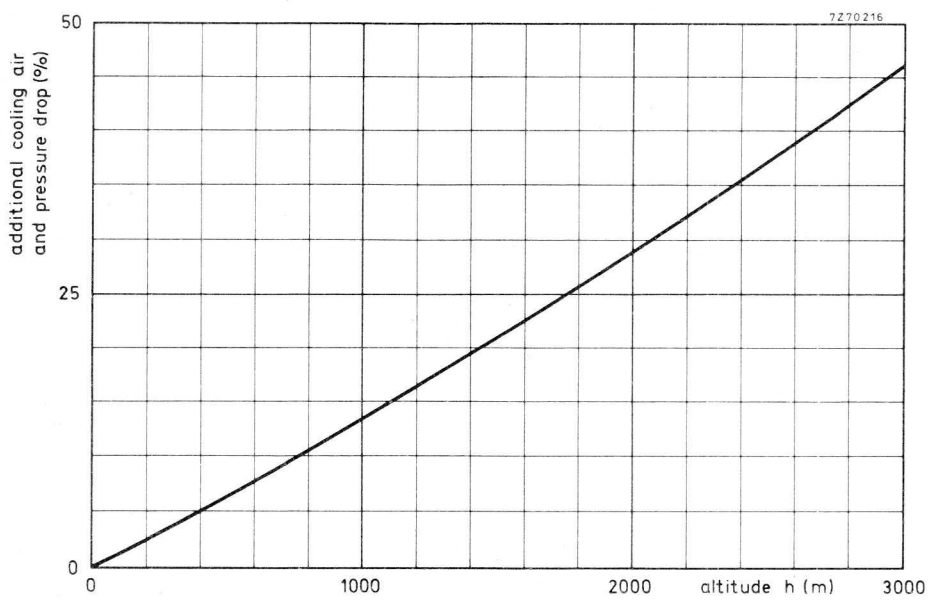
7264829



7270218







AIR COOLED R.F. POWER TRIODE

Forced-air cooled coaxial power triode in metal-ceramic construction primarily intended for use as R. F. class AB linear broadband amplifier in TV transposer service at frequencies up to 1000 MHz.

QUICK REFERENCE DATA

Transposer service (combined sound and vision)

Frequency	f	470 to 860	MHz
Anode voltage	V_a	2500	V
Output power in load (sync)	W_l	110	W
Power gain	G	16	dB

HEATING : indirect by a. c. (50 Hz to 400 Hz) or d. c. ; oxide coated cathode.

Heater voltage	V_f	6.0 to 6.3	V $\pm 5\%$ 1)
Heater current	I_f	4.8 to 5.8	A
Cathode heating time	T_h	min. 180	s

CAPACITANCES

Anode to grid	C_{ag}	6.8 to 8.0	pF
Grid to cathode and heater	$C_{g/kf}$	20 to 30	pF
Anode to cathode and heater	$C_{a/kf}$	90 to 180	fF

TYPICAL CHARACTERISTICS

Anode voltage	V_a	2	kV
Anode current	I_a	250	mA
Transconductance	S	60	mA/V
Amplification factor	μ	90	

TEMPERATURE LIMITS

Absolute max. temperature measured at reference points	t	max. 250	$^{\circ}\text{C}$
--	---	----------	--------------------

To obtain optimum life, this temperature should not exceed 200 $^{\circ}\text{C}$.

1) The heater voltage must be adjusted between 6.0 and 6.3 V.

For optimum performance (linearity) the voltage set must be maintained within $\pm 2\%$ for transposer service, or $\pm 5\%$ for other applications.

COOLING

Anode: forced air

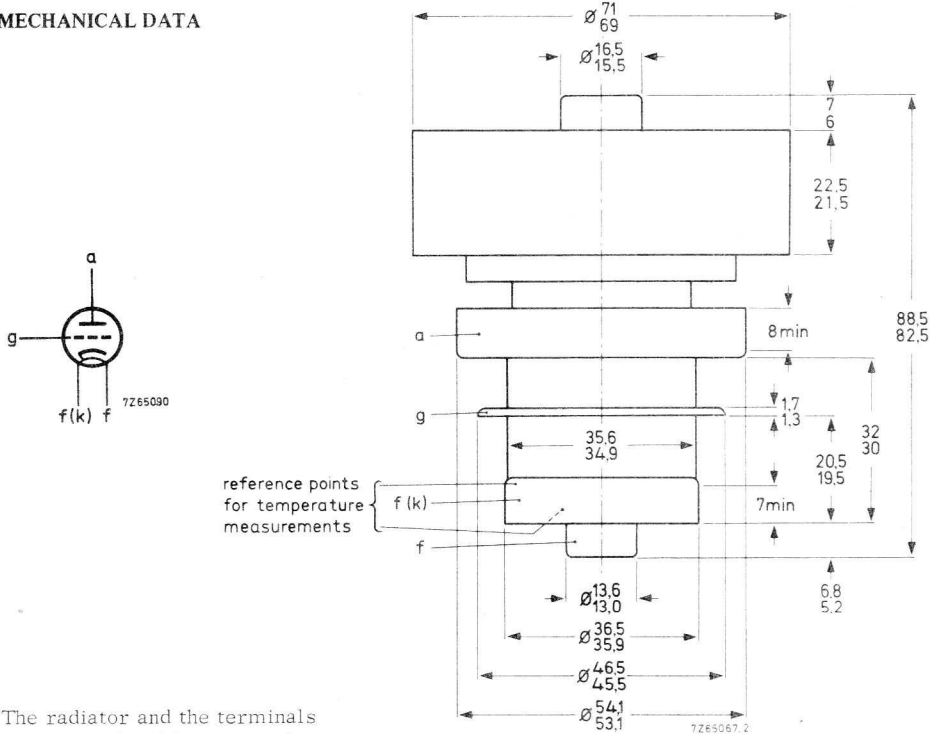
W_a (W)	t_i (°C)	q_{min} (m ³ /min)	p_i (mm H ₂ O)
900	25	1,5	31

Other terminals: low velocity airflow.

When only the heater voltage is applied the heater and heater/cathode terminals should also be cooled.

Cooling air and voltages may be switched off simultaneously.

MECHANICAL DATA



The radiator and the terminals are situated within concentric cylinders of the following dimensions:

Radiator	72,0 dia
Anode terminal	55,1 dia
Grid terminal	47,0 dia
Heater/cathode terminal	37,0 dia
Heater terminal	14,5 dia

R.F. CLASS AB AMPLIFIER FOR TV TRANSPOSER SERVICE

grounded grid

LIMITING VALUES (Absolute max. rating system)

Frequency	f	up to	1000	MHz
Anode voltage	V_a	max.	3500	V
Grid voltage	$-V_g$	max.	200	V
Anode dissipation	W_a	max.	900	W
Grid current	I_g	max.	5	mA
Cathode current	I_k	max.	550	mA

OPERATING CONDITIONS . grounded grid

Standard		CCIR-G		1)2)
		470 to 860	470 to 860	
Frequency	f	470 to 860	470 to 860	MHz
Anode voltage	V_a	2500	1800	V
Grid voltage	V_g	-24	-14	V
Anode current, no signal	I_a	250	330	mA
Anode current at zero dB level (vision carrier)	I_a	420	450	mA
Grid current	I_g	≈ 0	≈ 0	mA
Driver output power (sync)	W_{dr}	3,5	3,5	W
Output power in load (sync)	W_l	110	110	W
Power gain	G	16	16	dB
Intermodulation products	d	-58 < -56	-56 < -54	dB dB

1) Negative modulation, positive synchronization, combined sound and vision.

2) R. F. driving power should be applied after the heater and electrode voltages.

3) To be adjusted for the stated no-signal anode current. Range values for equipment design : -10 to -40 V, -5 to -35 V respectively.

4) Three-tone test method (vision carrier -8 dB, sound carrier -10 dB, sideband signal -16 dB with respect to peak sync level = 0 dB).

R.F. CLASS AB AMPLIFIER FOR TV SOUND SERVICE

LIMITING VALUES (Absolute max. rating system)

Frequency	f	up to	1000	MHz
Anode voltage	V_a	max.	3500	V
Grid voltage	$-V_g$	max.	200	V
Anode dissipation	W_a	max.	900	W
Grid current	I_g	max.	5	mA
Cathode current	I_k	max.	550	mA

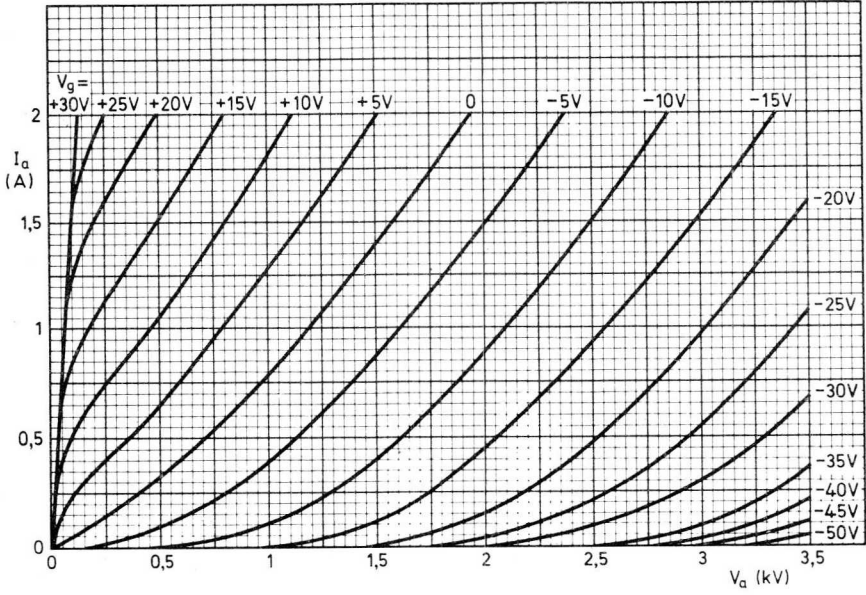
OPERATING CONDITIONS ¹⁾

Frequency	f	174 to	860	MHz
Anode voltage	V_a		2700	V
Grid voltage ²⁾	V_g		-28	V
Anode current, no signal	I_a		200	mA
Anode current	I_a		350	mA
Grid current	I_g		0	mA
Driver output power	W_{dr}		8	W
Output power in load	W_l		300	W
Power gain	G		16	dB

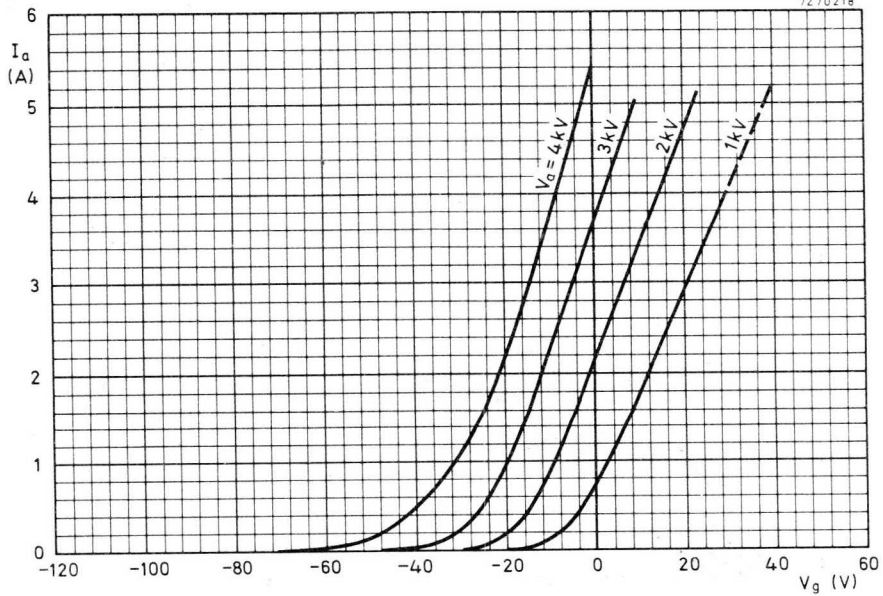
1) R.F. driving power should be applied after the heater and electrode voltages.

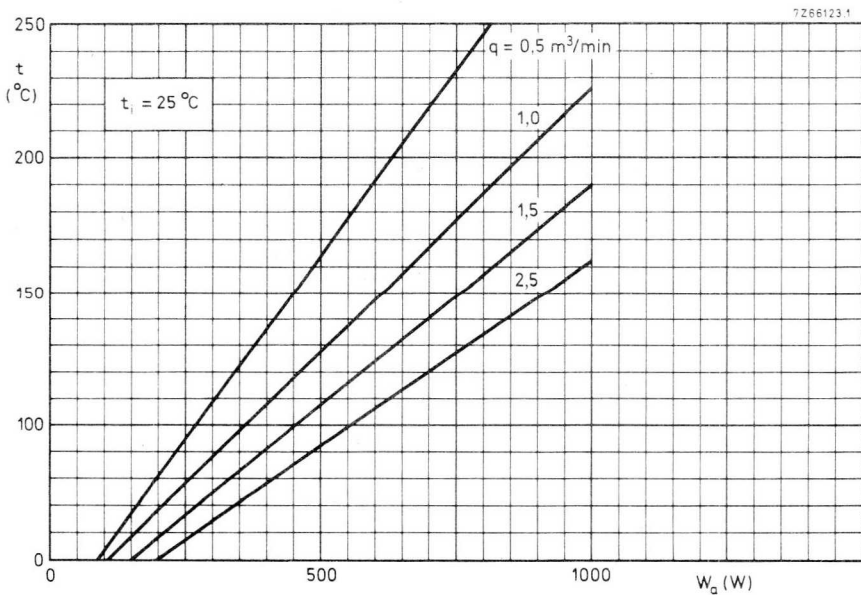
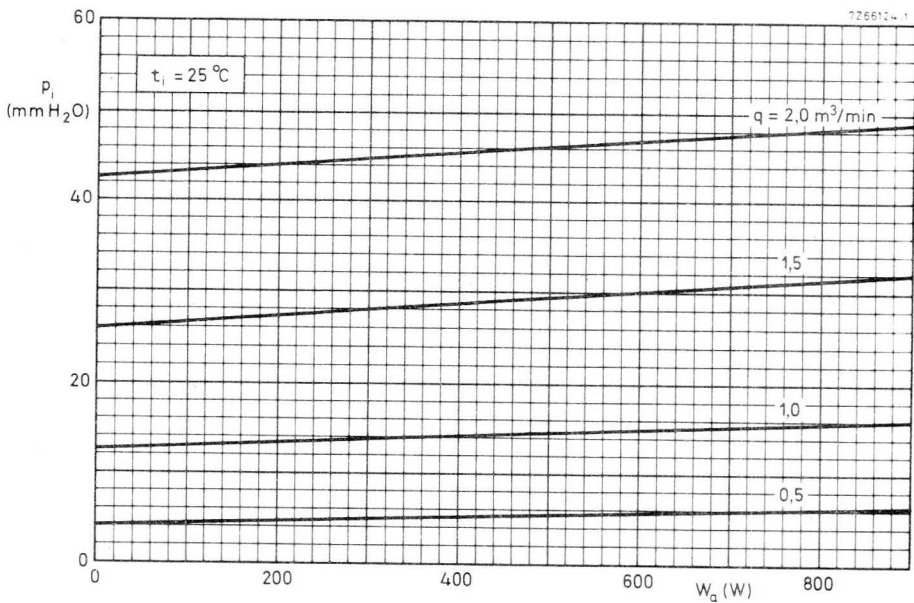
2) To be adjusted for the stated no-signal anode current. Range values for equipment design -15 to -40 V. For "automatic bias" the cathode resistor range is 80 to 180 Ω .

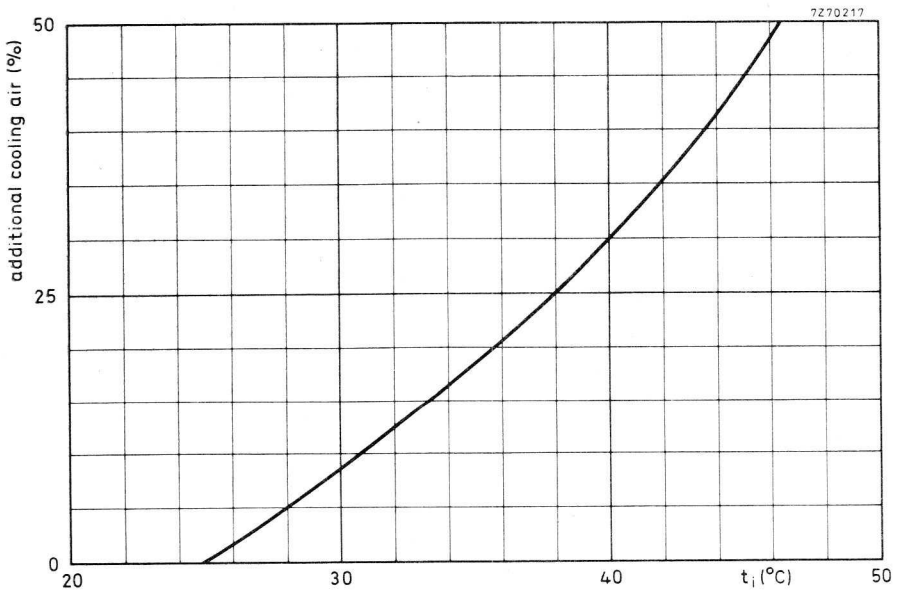
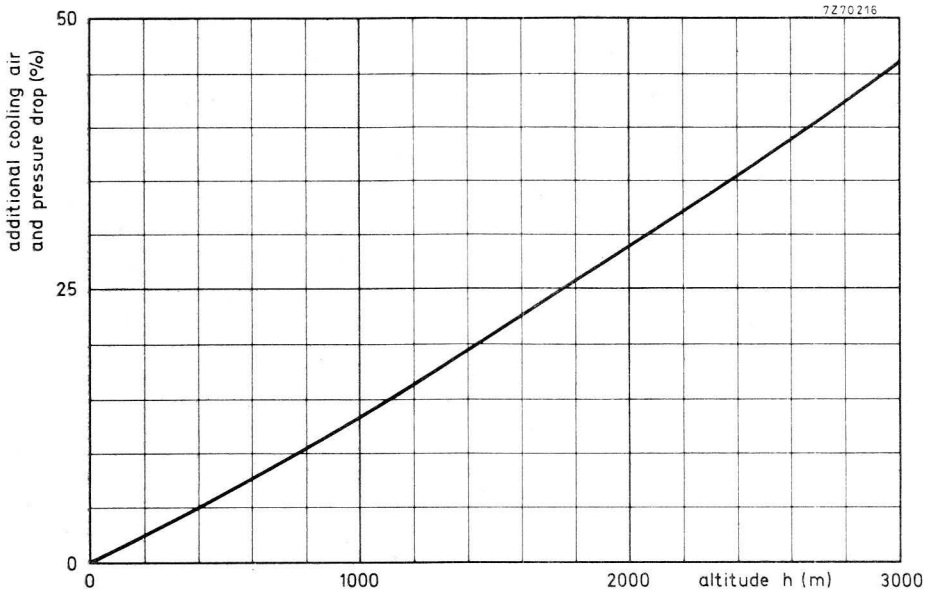
7264829



7270218







AIR COOLED R.F. POWERTRIODE

Forced-air cooled coaxial power triode in metal-ceramic construction primarily intended for use as R.F. class AB linear broadband amplifier in TV transposer service at frequencies up to 1000 MHz.

QUICK REFERENCE DATA

Transposer service (combined sound and vision)			
Frequency	f	470 to 860	MHz
Anode voltage	V_a	2500	V
Output power in the load (sync)	W_ℓ	110	W
Power gain	G	16,5	dB

HEATING : indirect, by a. c. (50 Hz to 400 Hz) or d. c. ; oxide coated cathode.

Heater voltage	V_f	6,0 to 6,3	V $\pm 5\%$ ¹⁾
Heater current	I_f	4,8 to 5,8	A
Cathode heating time	T_h	min. 180	s

CAPACITANCES

Anode to grid	C_{ag}	6,8 to 8	pF
Grid to cathode and heater	$C_{g/kf}$	20 to 30	pF
Anode to cathode and heater	$C_{a/kf}$	90 to 180	fF

TYPICAL CHARACTERISTICS

Anode voltage	V_a	2	kV
Anode current	I_a	400	mA
Transconductance	S	70	mA/V
Amplification factor	μ	90	

TEMPERATURE LIMITS

Absolute max. temperature measured at reference points	t	max. 250	$^{\circ}\text{C}$
--	---	----------	--------------------

To obtain optimum life, this temperature should not exceed 200 $^{\circ}\text{C}$.

¹⁾ The heater voltage must be adjusted between 6,0 and 6,3 V.

For optimum performance (linearity) the voltage set must be maintained within $\pm 2\%$ for transposer service, or $\pm 5\%$ for other applications.

COOLING

Anode: forced air

W_a (W)	t_i (°C)	Q_{min} (m ³ /min)	P_i (mm H ₂ O)
1000	25	0,7	2

Other terminals : low velocity air flow.

When only the heater voltage is applied, the heater and heater/cathode terminals should also be cooled.

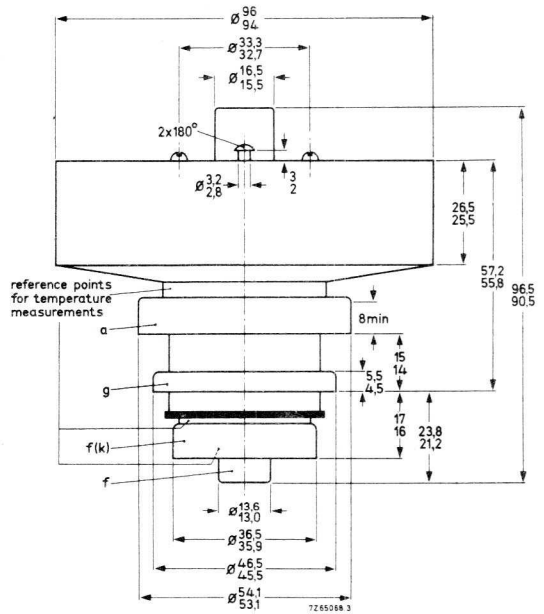
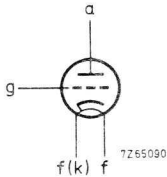
Cooling air and voltages may be switched off simultaneously.

MECHANICAL DATA

Dimensions in mm

Net weight : approx. 1000 g

Mounting position: any



The radiator and the terminals are situated within concentric cylinders of the following dimensions :

Radiator	97,0 dia
Anode terminal	55,1 dia
Grid terminal	47,0 dia
Heater/cathode terminal	37,0 dia
Heater terminal	14,5 dia

R.F. CLASS AB AMPLIFIER FOR TV TRANSPOSER SERVICE grounded grid

LIMITING VALUES (Absolute max. rating system)

Frequency	f	up to	1000	MHz
Anode voltage	V_a	max.	3500	V
Grid voltage	$-V_g$	max.	200	V
Anode dissipation	W_a	max.	1800	W
Grid current	I_g	max.	± 5	mA
Cathode current	I_k	max.	550	mA ¹⁾

OPERATING CONDITIONS, grounded grid ²⁾³⁾

Standard			CCIR-G	
Frequency	f		470 to 860	MHz
Anode voltage	V_a		2500	V
Grid voltage ⁴⁾	V_g		-25	V
Anode current, no signal ⁴⁾	I_a		200 to 300	mA
Anode current at zero dB level (vision carrier)	I_a		420 (<500)	mA
Grid current	I_g		≈ 0	mA
Driver output power (sync)	W_{dr}		4	W
Output power in load (sync)	W_l		110	W
Power gain	G		16,5	dB
Intermodulation products	d		-60	dB
			< -58	dB

¹⁾ During a short period, for adjustment of the transmitter, I_k max. = 700 mA.

²⁾ Negative modulation, positive synchronization, combined sound and vision.

³⁾ R.F. driving power should be applied after the heater and electrode voltages.

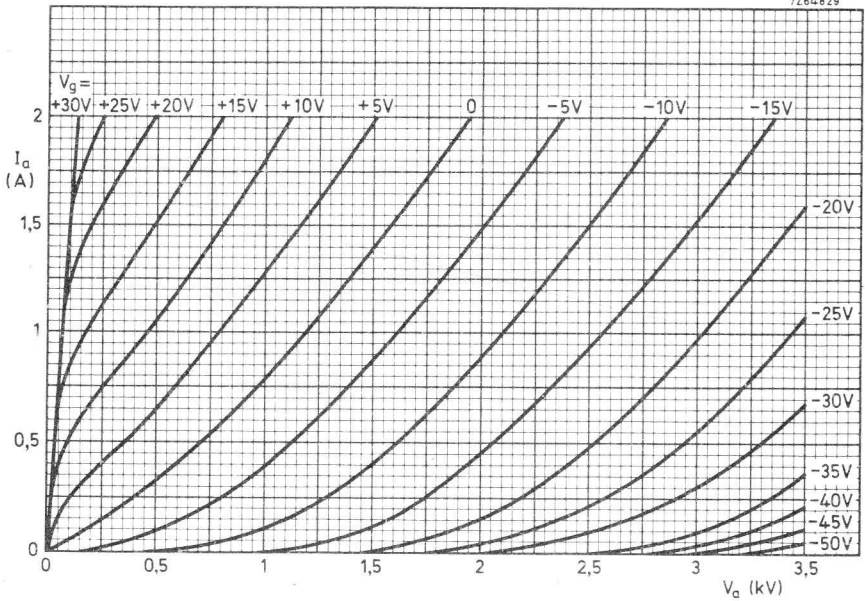
⁴⁾ To be adjusted for the zero-signal anode current stated on the measuring report supplied with each tube.

Range values for equipment design -10 to -40 V.

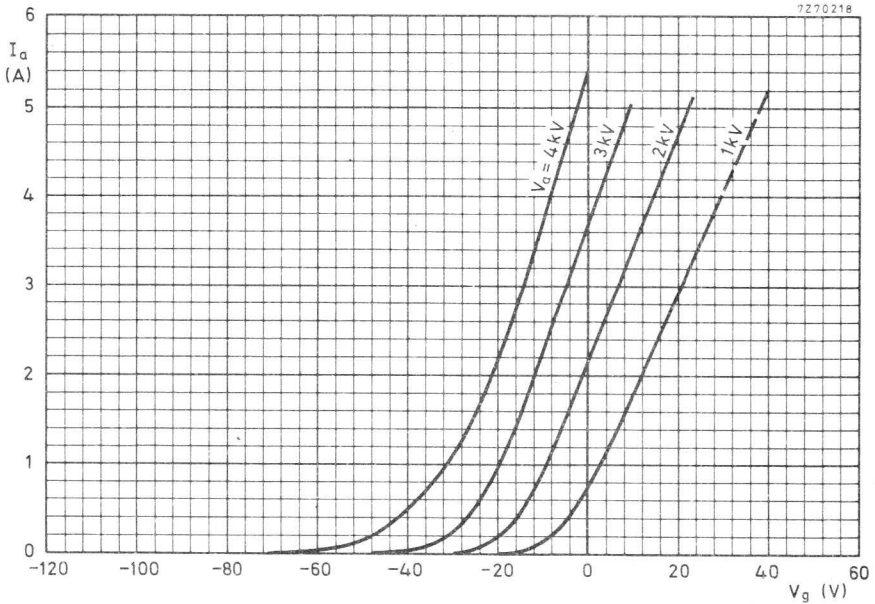
The stated no-signal anode current results in optimum linearity.

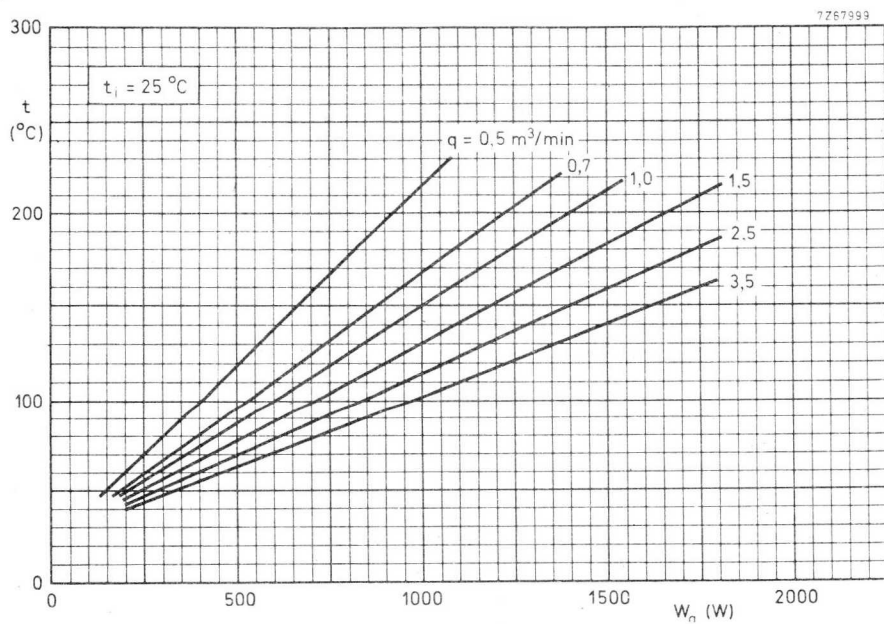
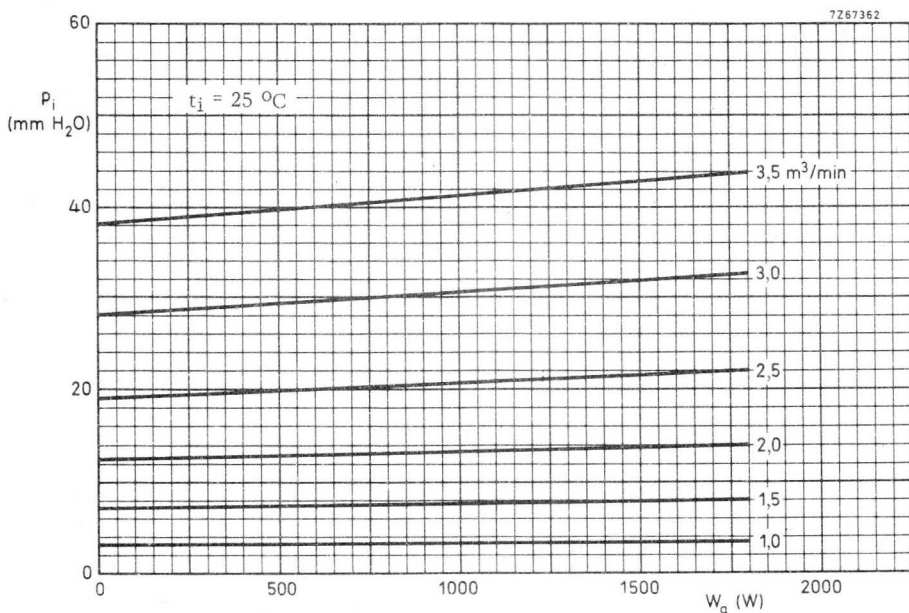
⁵⁾ Three-tone method (vision carrier -8 dB, sound carrier -10 dB, sideband signal -16 dB with respect to peak sync level = 0 dB).

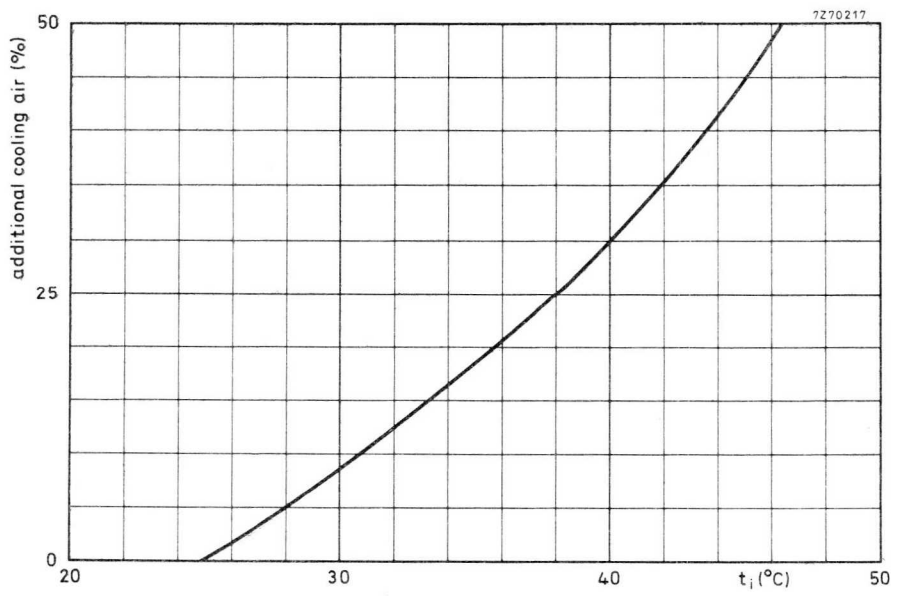
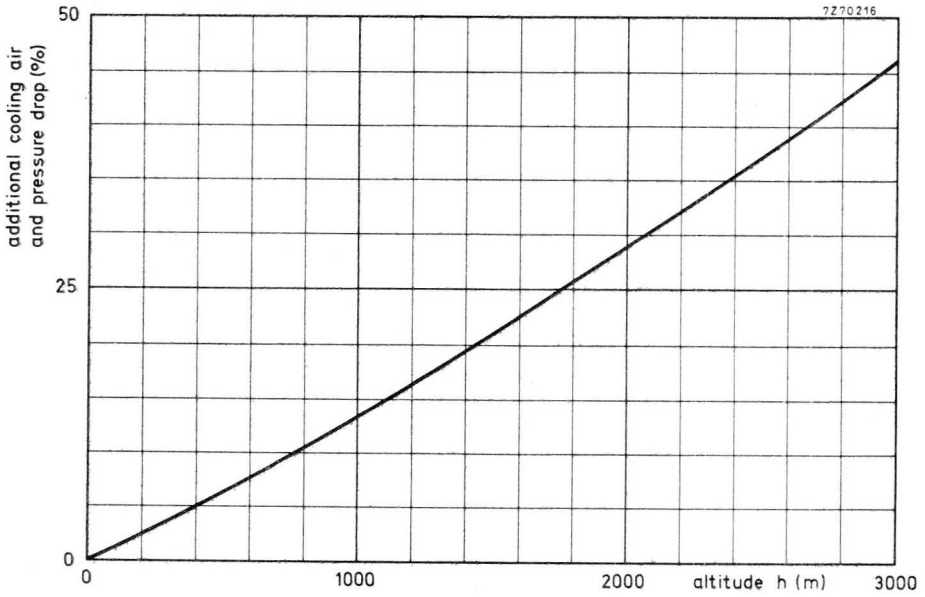
7264829



7270218







AIR COOLED R.F. POWER TRIODE

Forced-air cooled coaxial power triode in metal-ceramic construction primarily intended for use as R.F. class AB linear broadband amplifier in TV sound and vision service at frequencies up to 1000 MHz.

QUICK REFERENCE DATA

Frequency	f	470 to 860	MHz
Anode voltage	V_a	3500	V
Output power in the load (sync - CCIR-G) (peak white - CCIR-L)	W_ℓ	550	W
	W_ℓ	550	W
Power gain	G	15	dB

HEATING : indirect by a.c. (50 Hz to 400 Hz) or d.c.; oxide coated cathode.

Heater voltage	V_f	6,0 to 6,3	$V \pm 5\% ^1$
Heater current	I_f	4,8 to 5,8	A
Cathode heating time	T_h	min. 180	s

CAPACITANCES

Anode to grid	C_{ag}	6,8 to 8	pF
Grid to cathode and heater	$C_{g/kf}$	20 to 30	pF
Anode to cathode and heater	$C_{a/kf}$	90 to 180	fF

TYPICAL CHARACTERISTICS

Anode voltage	V_a	3	kV
Anode current	I_a	400	mA
Transconductance	S	70	mA/V
Amplification factor	μ	90	

TEMPERATURE LIMITS

Absolute max. temperature measured at reference points	t	max. 250	°C
---	---	----------	----

To obtain optimum life this temperature should not exceed 200 °C.

¹⁾ For optimum performance as TV broadband amplifier (linearity) the voltage set must be maintained within $\pm 2\%$.

Data based on pre-production tubes.

COOLING

Anode: forced air

W_a (W)	t_i (°C)	q_{min} (m ³ /min)	P_i (mm H ₂ O)
1800	25	2,5	22

Other terminals: low velocity air flow.

When only the heater voltage is applied, the heater and heater/cathode terminals should also be cooled.

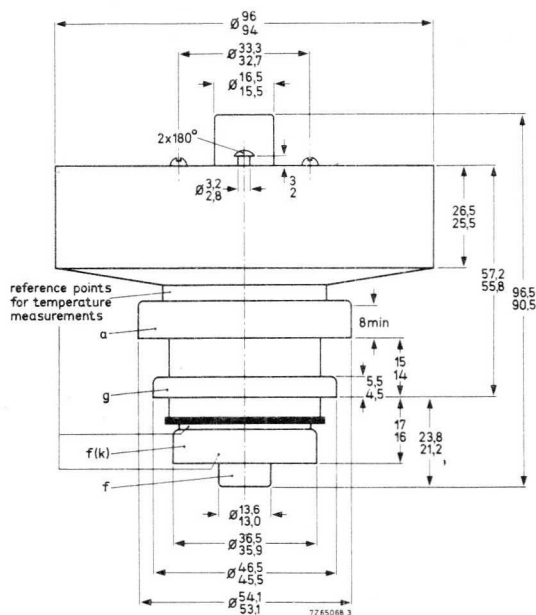
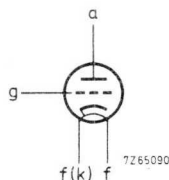
Cooling air and voltages may be switched off simultaneously.

MECHANICAL DATA

Dimensions in mm

Net weight: approx. 1000 g

Mounting position: any



The radiator and the terminals are situated within concentric cylinders of the following dimensions:

Radiator	97,0 dia
Anode terminal	55,1 dia
Grid terminal	47,0 dia
Heater/cathode terminal	37,0 dia
Heater terminal	14,5 dia

R.F. CLASS AB AMPLIFIER FOR TELEVISION SERVICE , grounded grid

LIMITING VALUES (Absolute max. rating system)

Frequency	f	up to	1000	MHz
Anode voltage	V_a	max.	3800	V
Grid voltage	$-V_g$	max.	200	V
Anode dissipation	W_a	max.	1900	W ¹⁾
Grid current	I_g	max.	± 5	mA
Cathode current	I_k	max.	700	mA ¹⁾

OPERATING CONDITIONS grounded grid ²⁾

Standard		CCIR-G	CCIR-L	
Frequency	f	470 to 860	470 to 860	MHz
Anode voltage	V_a	3500	3500	V
Grid voltage ³⁾	V_g	-38	-38	V
Anode current, no signal	I_a	250	250	mA
Anode current at average grey level	I_a	≈ 500	≈ 500	mA
Grid current	I_g	≈ 0	≈ 0	mA
Driver output power, sync	W_{dr}	21		W
	W_{dr}		21	W
Output power in load, sync	W_l	550		W
	W_l		550	W
Power gain	G	15	15	dB
Differential gain		95	95	% ⁴⁾

1) During a short period, for adjustment of the transmitter, $W_a = \text{max. } 2200 \text{ W}$, and $I_k = \text{max. } 800 \text{ mA}$.

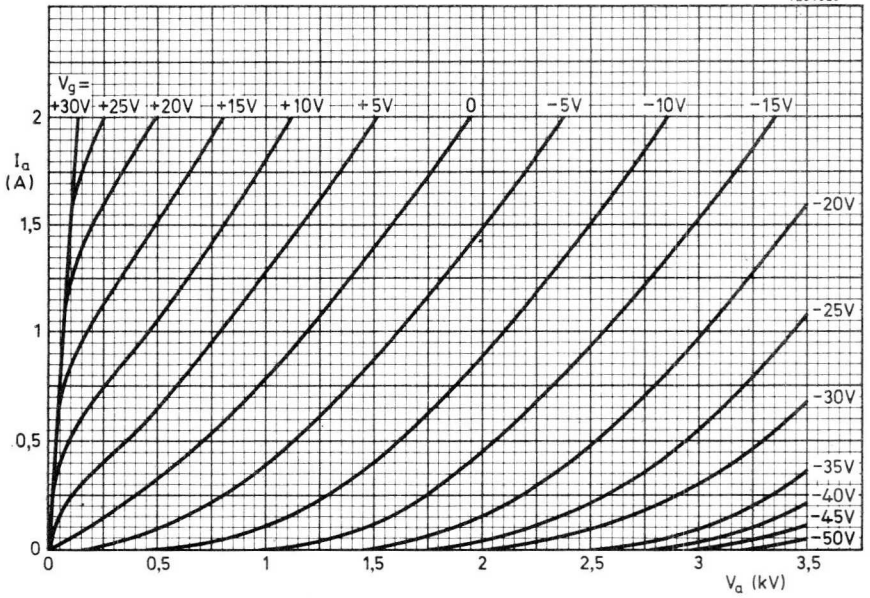
2) R, F. driving power should be applied after the heater and electrode voltages.

3) To be adjusted for the stated no-signal anode current. Range values for equipment design -20 to -50 V.

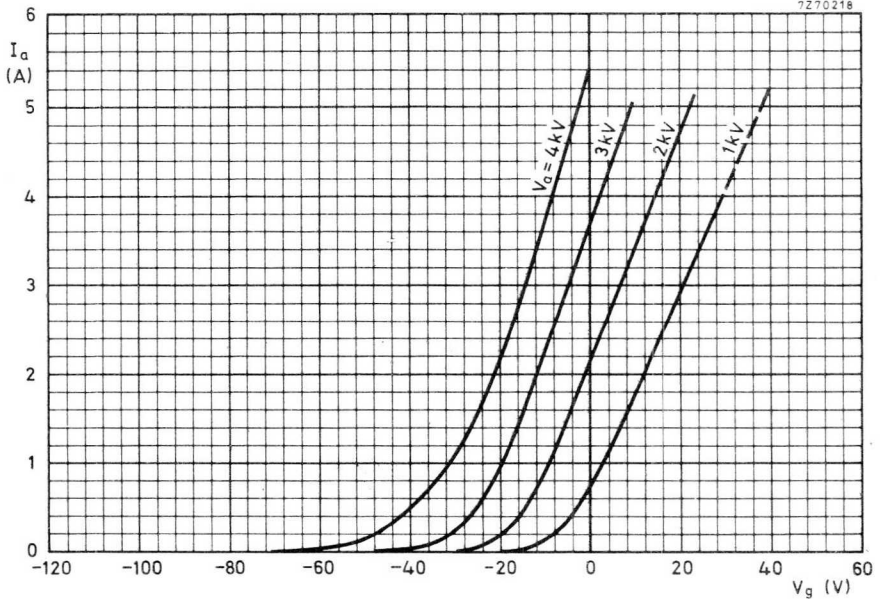
4) Standard CCIR-G : Measured with a saw-tooth drive of 15% to 80% of peak sync amplitude with a superimposed 4,43 MHz signal with a peak-to-peak value of 10% of the peak sync amplitude adjusted at picture white level.

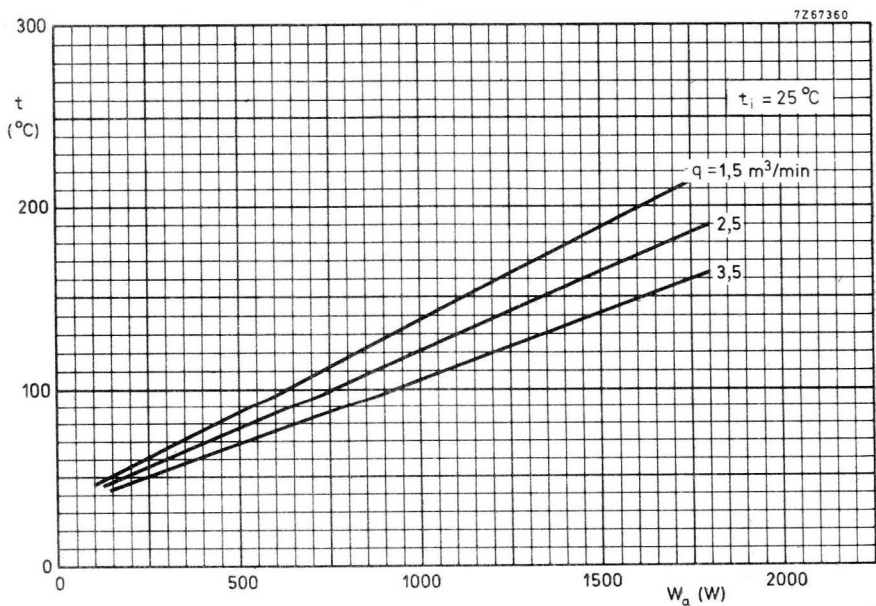
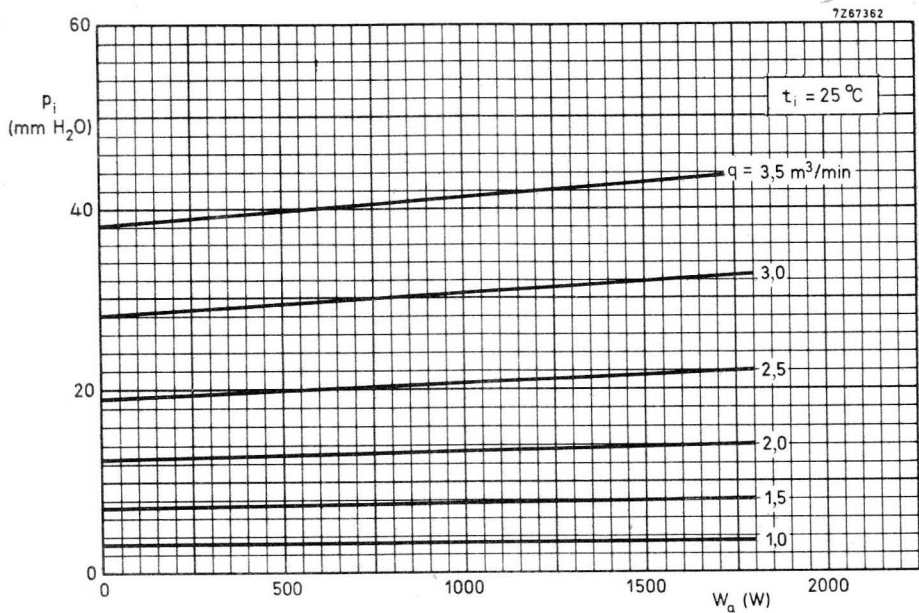
Standard CCIR-L : Measured on white level with a sawtooth drive of 30% to 100% of peak white amplitude with a superimposed 3 MHz signal with a peak-to-peak value of 30% of the picture white amplitude.

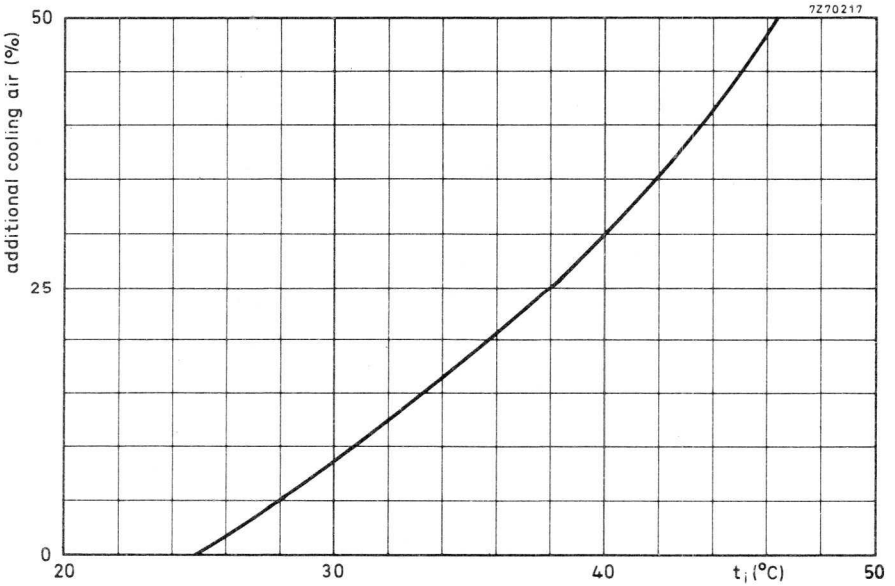
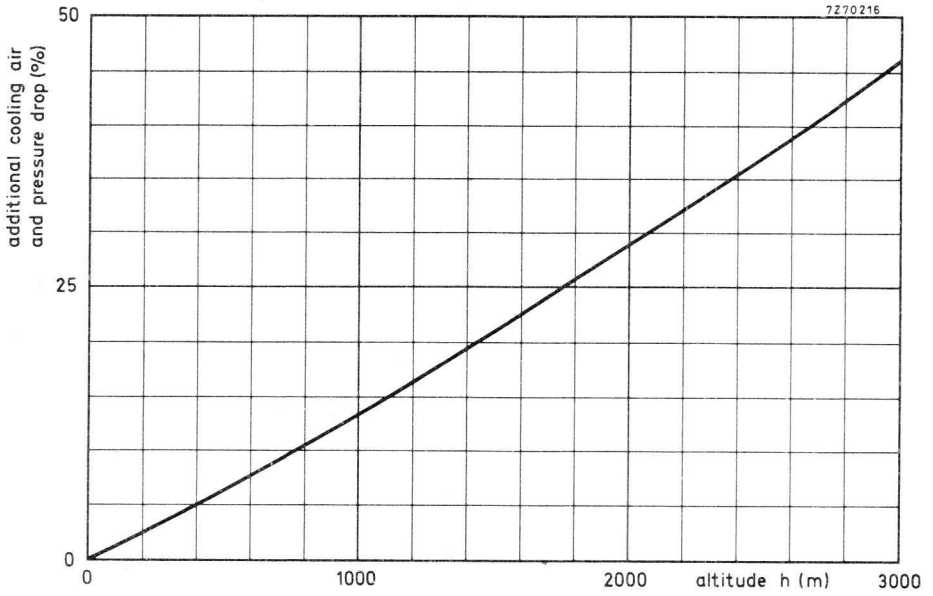
7264829



7270218







AIR COOLED R.F. POWER TRIODE

Forced-air cooled coaxial power triode in metal-ceramic construction primarily intended for use as R. F. class AB linear broadband amplifier in TV transposer service at frequencies up to 1000 MHz.

QUICK REFERENCE DATA

Transposer service (combined sound and vision)			
Frequency	f	470 to 860	MHz
Anode voltage	V_a	3000	V
Output power in the load (sync)	W_f	220	W
Power gain	G	16,5	dB

HEATING : indirect, by a. c. (50 Hz to 400 Hz) or d. c. ; oxide coated cathode.

Heater voltage	V_f	6,0 to 6,3	$V \pm 5\%$ ¹⁾
Heater current	I_f	4,8 to 5,8	A
Cathode heating time	T_h	min. 180	s

CAPACITANCES

Anode to grid	C_{ag}	6,8 to 8	pF
Grid to cathode and heater	$C_{g/kf}$	20 to 30	pF
Anode to cathode and heater	$C_{a/kf}$	90 to 180	fF

TYPICAL CHARACTERISTICS

Anode voltage	V_a	3	kV
Anode current	I_a	400	mA
Transconductance	S	70	mA/V
Amplification factor	μ	90	

TEMPERATURE LIMITS

Absolute max. temperature measured at reference points	t	max. 250	°C
--	-----	----------	----

To obtain optimum life, this temperature should not exceed 200 °C.

¹⁾ The heater voltage must be adjusted between 6,0 and 6,3 V.

For optimum performance (linearity) the voltage set must be maintained within $\pm 2\%$ for transposer service, or $\pm 5\%$ for other applications.

COOLING

Anode: forced air

W_a (W)	t_i (°C)	q_{min} (m ³ /min)	P_1 (mm H ₂ O)
1800	25	2,5	22

Other terminals: low velocity air flow.

When only the heater voltage is applied, the heater and heater/cathode terminals should also be cooled.

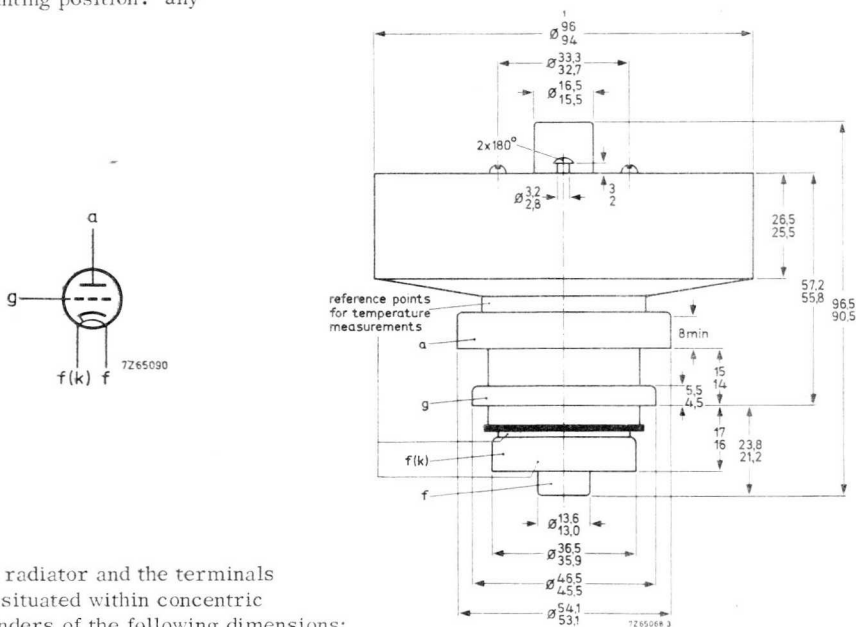
Cooling air and voltages may be switched off simultaneously.

MECHANICAL DATA

Dimensions in mm

Net weight : approx. 1000 g

Mounting position: any



The radiator and the terminals are situated within concentric cylinders of the following dimensions:

Radiator	97,0 dia
Anode terminal	55,1 dia
Grid terminal	47,0 dia
Heater/cathode terminal	37,0 dia
Heater terminal	14,5 dia

R.F. CLASS AB AMPLIFIER FOR TV TRANSPOSER SERVICE grounded grid

LIMITING VALUES (Absolute max. rating system)

Frequency	f	up to	1000	MHz
Anode voltage	V_a	max.	3500	V
Grid voltage	$-V_g$	max.	200	V
Anode dissipation	W_a	max.	1800	W
Grid current	I_g	max.	± 5	mA
Cathode current	I_k	max.	550	mA ¹⁾

OPERATING CONDITIONS, grounded grid ²⁾³⁾

Standard		C. C. I. R - G	C. C. I. R - G	C. C. I. R - I	
Frequency	f	470 to 860	470 to 860	470 to 860	MHz
Anode voltage	V_a	3000	3000	3000	V
Grid voltage ⁴⁾	V_g	-30	-30	-30	V
Anode current, no signal	I_a	420	350	420	mA
Anode current at zero dB level (vision carrier)	I_a	650	550	650	mA
Grid current	I_g	≈ 0	≈ 0	≈ 0	mA
Driver output power (sync)	W_{dr}	7	8	7	W
Output power in load (sync)	W_l	220	220	220	W
Output power at $I_g = 0$	W_o	≥ 390	≥ 390	≥ 390	W
Power gain	G	16,5	16,0	16,5	dB
Intermodulation products	d	-57 ⁵⁾ < -55	-56 ⁵⁾ < -54	-55 ⁶⁾ < -53	dB

¹⁾ During a short period, for adjustment of the transmitter, I_k max. = 700 mA

²⁾ Negative modulation, positive synchronization, combined sound and vision.

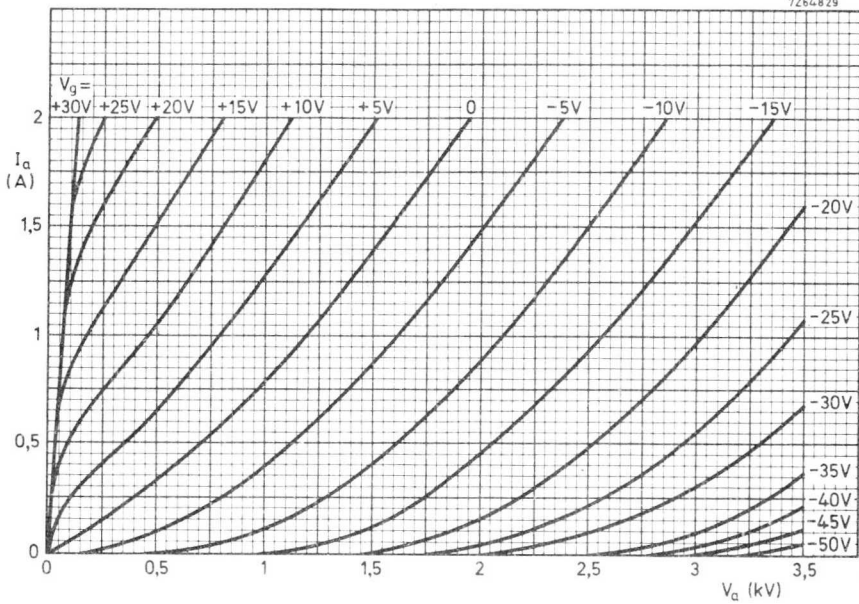
³⁾ R.F. driving power should be applied after the heater and electrode voltages.

⁴⁾ To be adjusted for the stated no. signal anode current. Range values for equipment design -15 to -45 V.

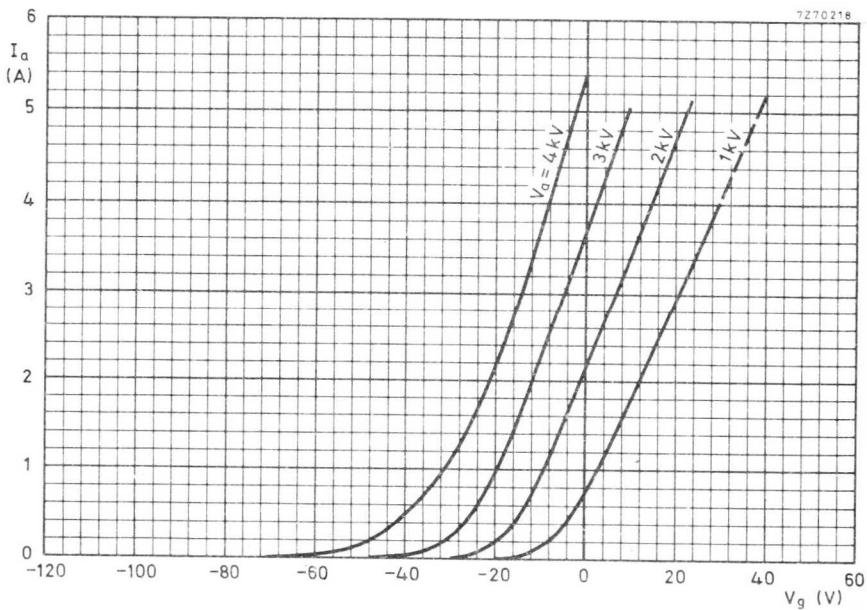
⁵⁾ Three-tone test method (vision carrier -8 dB, sound carrier -10 dB sideband signal -16 dB with respect to peak sync level = 0 dB.).

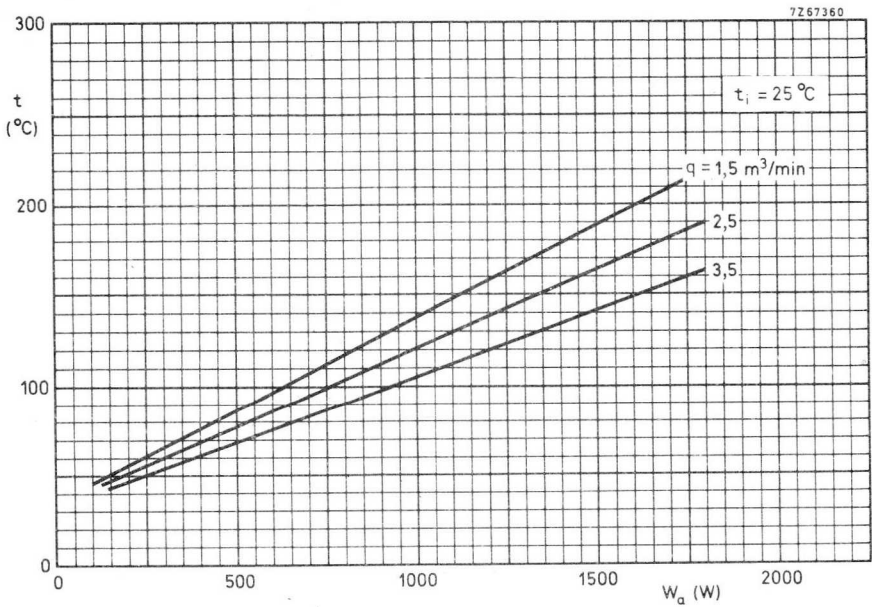
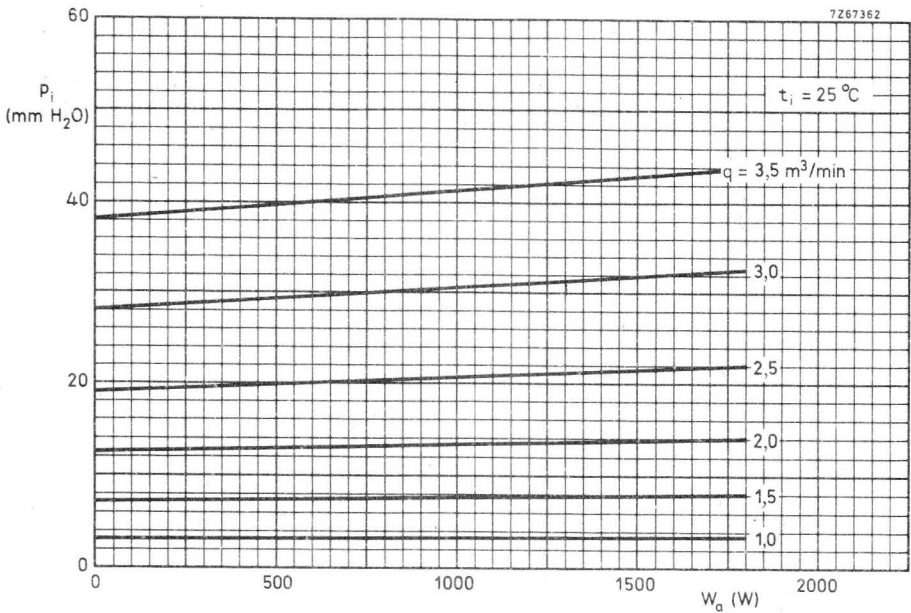
⁶⁾ Three-tone test method (vision carrier - 8 dB, sound carrier -7 dB, sideband signal -17 dB with respect to peak sync level = 0 dB.).

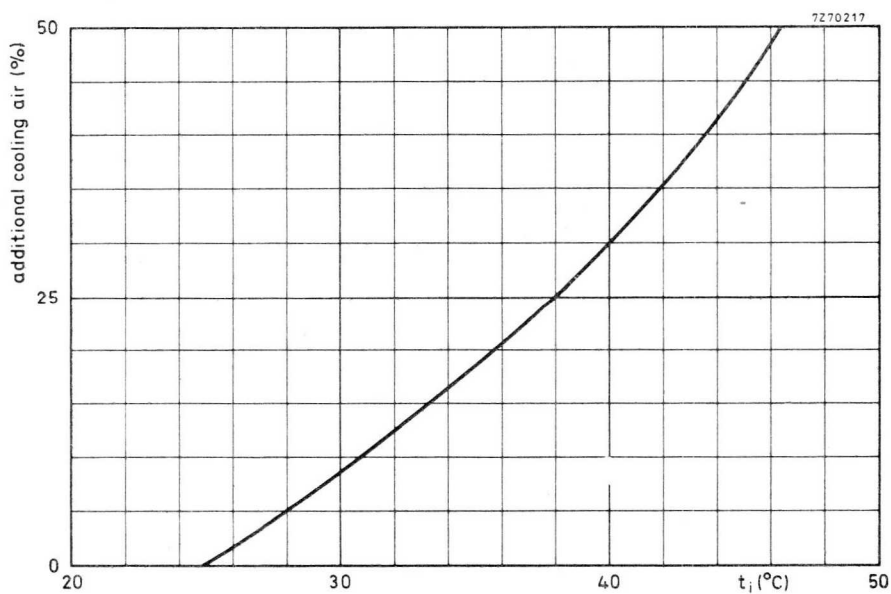
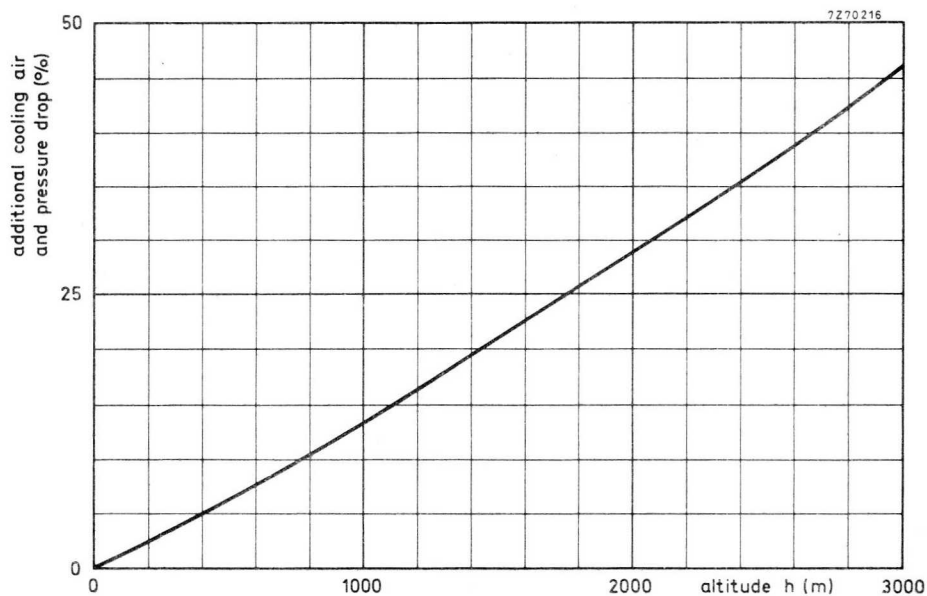
7264829



7270218







INDUSTRIAL R.F. TRIODE

Triodes in metal-ceramic construction intended for use as industrial oscillators.
The YD1342 has an integral water cooler.
The YD1343 is vapour cooled.

QUICK REFERENCE DATA

Oscillator output power ($W_o - W_{\text{feedb}}$)	W_{osc}	480	kW
Frequency for full ratings	f max.	30	MHz

To be read in conjunction with "General Recommendations Transmitting Tubes for Communication, Tubes for R.F. Heating".

R.F. CLASS C OSCILLATOR FOR INDUSTRIAL USE

OPERATING CONDITIONS

Frequency	f	30	MHz
Oscillator output power ($W_o - W_{\text{feedb}}$)	W_{osc}	480	kW
Anode voltage	V_a	16	kV
Anode current	I_a	42	A
Anode input power	W_{ia}	672	kW
Anode dissipation	W_a	183	kW
Anode output power	W_o	489	kW
Anode efficiency	η_a	73	%
Oscillator efficiency	η_{osc}	71,5	%
Feedback ratio	V_{gp}/V_{ap}	9,3	%
Grid resistor	R_g	100	Ω
Grid current, on load	I_g	7,5	A
Grid voltage, negative	$-V_g$	750	V
Grid dissipation	W_g	3,4	kW
Grid resistor dissipation	W_{Rg}	5,6	kW

LIMITING VALUES (Absolute max. rating system)

Frequency for full ratings	f	up to	30	MHz
Anode voltage	V_a	max.	19,5	kV
Anode current	I_a	max.	45	A
Anode input power	W_{ia}	max.	750	kW
Anode dissipation	W_a	max.	240	kW
Grid voltage	$-V_g$	max.	2,5	kV
Grid current, on load off load	I_g	max.	9	A
	I_g	max.	11	A
Grid dissipation	W_g	max.	6	kW
Grid circuit resistance	R_g	max.	10	k Ω
Cathode current, mean peak	I_k	max.	55	A
	I_{kp}	max.	250	A
Envelope temperature	t_{env}	max.	240	$^{\circ}C$

HEATING : direct; thoriated tungsten filament, mesh construction

Filament voltage	V_f		14	V
Filament current	I_f		555	A
Peak filament starting current	I_{fp}	max.	3500	A
Cold filament resistance	R_{fo}		2,6	m Ω
Waiting time	T_w	min.	5	s

The filament is designed to accept temporary fluctuations of +5% and - 10%.

It is extremely important that the filament be properly decoupled. This should be so done that the resonance of the circuit formed by the filament and decoupling elements remains below the fundamental oscillator frequency. In grounded-grid circuits this resonance should be below the grid-cathode resonance. For further information please see Application Book "Tubes for R. F. heating" or contact the manufacturer.

CAPACITANCES

Anode to filament	C_{af}	3,9	pF
Grid to filament	C_{gf}	225	pF
Anode to grid	C_{ag}	70	pF

CHARACTERISTICS measured at $V_a = 16$ kV, $I_a = 18$ A

Transconductance	S	230	mA/V
Amplification factor	μ	35	

YD1343

With integrated boiler-condenser type K738

Anode + grid dissipation $W_a + W_g$ (kW)	Inlet temperature t_i (°C)	Rate of flow q_{min} (l/min)	Pressure drop P_i (kPa*)	Outlet temperature t_o (°C)
240	20	80	38	64
	35	122	75	64
200	20	61	33	69
	35	88	44	69
	50	158	118	69
160	20	42	13	77
	35	58	22	76
	50	95	50	75

ACCESSORIES

Filament connector with cable	type	40695	net mass	1,4	kg
Filament/cathode connector with cable	type	40696	net mass	1,6	kg
Grid connector $f \leq 4$ MHz	type	40694	net mass	270	g
	$f > 4$ MHz	type	40737	net mass	525
Boiler-condenser (YD1343 only)	type	K738	net mass	150	kg

* 100 kPa \approx 1 at

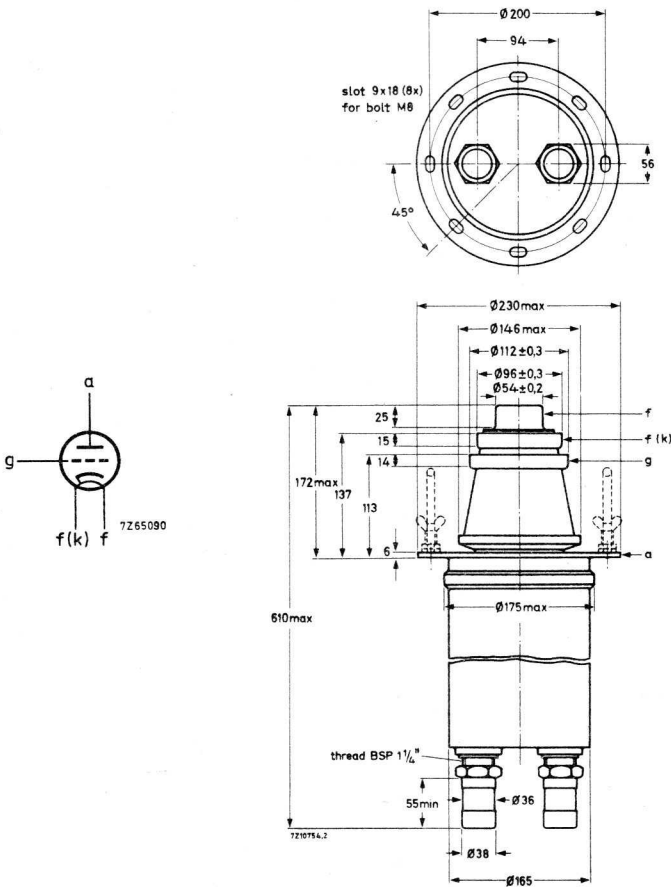
MECHANICAL DATA

Dimensions in mm

YD1342

Mounting position : vertical with anode up or down

Net mass : approx. 30 kg



The handles should be removed before switching on the tube

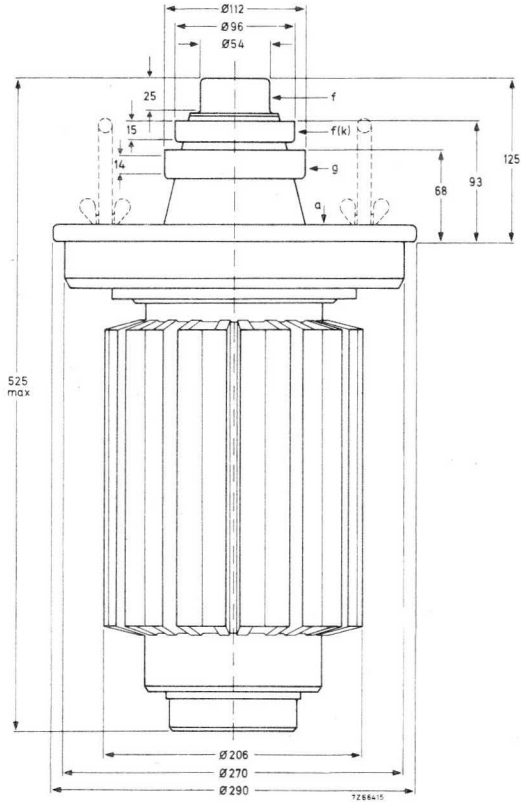
When using the tube in the anode up position the input and output water connections should be reversed.

YD1342
YD1343

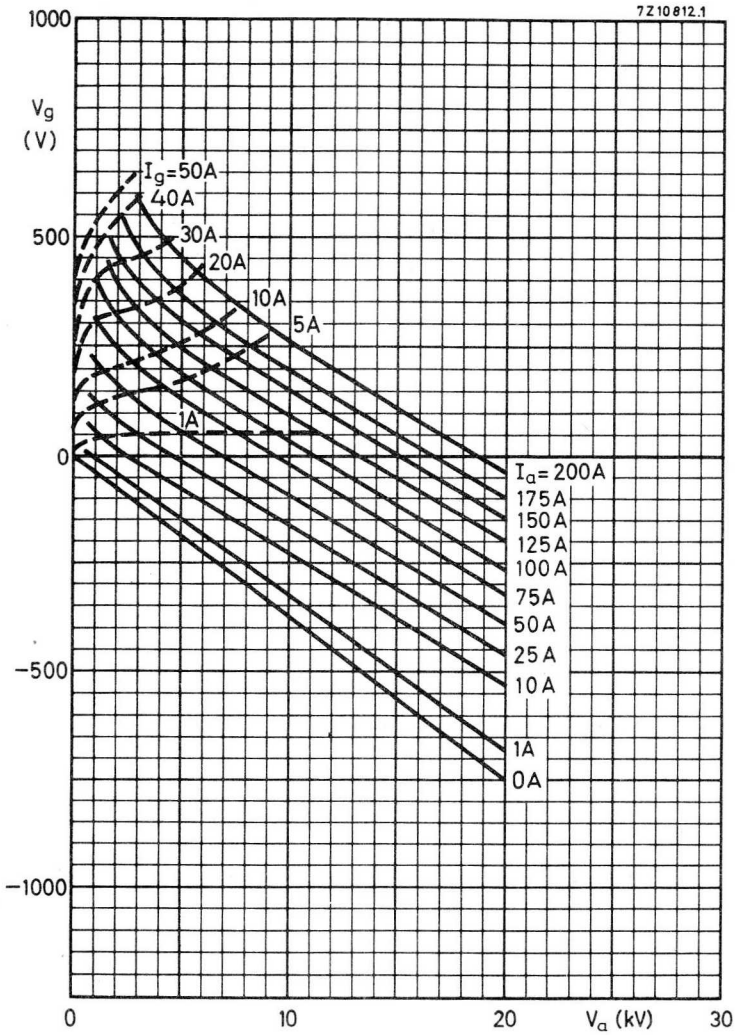
YD1343

Mounting position : vertical with anode up or down

Net mass : approx. 45 kg



The handles should be removed before switching on the tube.



WATER-COOLED MAGNETICALLY BEAMED INDUSTRIAL R.F. TRIODE

Water-cooled magnetically focused triode of metal-ceramic construction with integral water jacket intended for use as industrial oscillator.

QUICK REFERENCE DATA

Oscillator output power ($W_o - W_{\text{feedb}}$), typical	W_{osc}	3	kW
Frequency for full ratings	f max.	5	MHz

To be read in conjunction with "General Operational Recommendations Transmitting Tubes for Communication, Tubes for R. F. Heating".

R.F. CLASS C OSCILLATOR FOR INDUSTRIAL USE

Anode voltage single phase, full-wave rectified, unfiltered

OPERATING CONDITIONS

Frequency	f	5	MHz
Oscillator output power ($W_o - W_{\text{feedb}}$)	W_{osc}	3094	W
Transformer voltage	$V_{\text{tr rms}}$	5000	V
Anode voltage, mean	V_a	4500	V
Anode current, mean	I_a	720	mA
Anode input power	W_{ia}	4000	W
Anode dissipation	W_a	900	W
Anode output power	W_o	3100	W
Anode efficiency	η_a	78	%
Oscillator efficiency	η_{osc}	77,4	%
Feedback ratio	$V_{\text{gp}}/V_{\text{ap}}$	33	%
Grid resistor	R_g	80	k Ω
Grid current, on load	I_g	4,5	mA
off load	I_g	9,0	mA
Grid voltage, negative	$-V_g$	360	V ¹⁾
Grid dissipation	W_g	4,4	W
Grid resistor dissipation	W_{Rg}	1,6	W

1) Max. -565 V.

LIMITING VALUES (Absolute max. rating system)

Frequency for full ratings	f	max.	5	MHz
Anode voltage, mean	V_a	max.	4500	V
Anode current, mean	I_a	max.	725	mA
Anode input power	W_{ia}	max.	4	kW
Anode dissipation	W_a	max.	2	kW
Grid voltage	V_g	max.	2400	V
Grid current	I_g	max.		see 1)
Grid dissipation	W_g	max.	25	W
Grid circuit resistance	R_g	max.	88	k Ω
Cathode current, mean	I_k	max.	730	mA
Seal temperature	t	max.	200	$^{\circ}\text{C}$

HEATING : indirect; nickel-oxide cathode, dispenser type

Heater voltage	V_f		5	V
Heater current	I_f		6,1	A
Waiting time	T_w	min.	2	min.

The filament is designed to accept temporary fluctuations of +10 % and -10 %.

CAPACITANCES

Anode to cathode	C_{ak}		0,3	pF
Grid to cathode	C_{gk}		9,8	pF
Anode to grid	C_{ag}		11,5	pF

CHARACTERISTICS measured at $V_a = 3$ kV, $I_a = 500$ mA

Transconductance	S		4	mA/V
Amplification factor	μ		25	
Magnetic flux density	B	min.	115	mT (= 1150 Gs)

Care should be taken that the magnetic flux density is not influenced by external magnetic materials.

1) Limited by W_g max. and I_k max.

COOLING

Anode + grid dissipation $W_a + W_g$ (kW)	Inlet temperature t_i (°C)	Rate of flow q min (ℓ/min)	Pressure drop P_i (kPa [*])
2	20	3,8	31
	50	5,7	62

The water flow must be maintained for at least 1 minute after anode power is removed. Additional air cooling of the seals may be necessary to keep the temperature below the limiting value. The direction of the water flow must be such that the inflow is below the outlet for either of the two vertical mounting positions.

ACCESSORIES

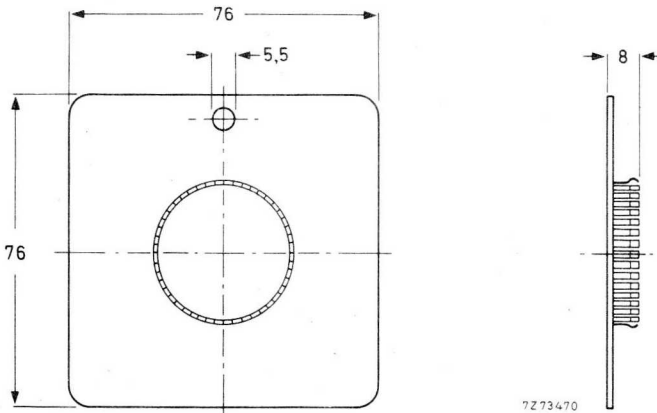
Magnet assembly (magnetic nest)

type 40765 net mass 2,3 kg

Grid connector

40766

Dimensions in mm



Grid connector 40766

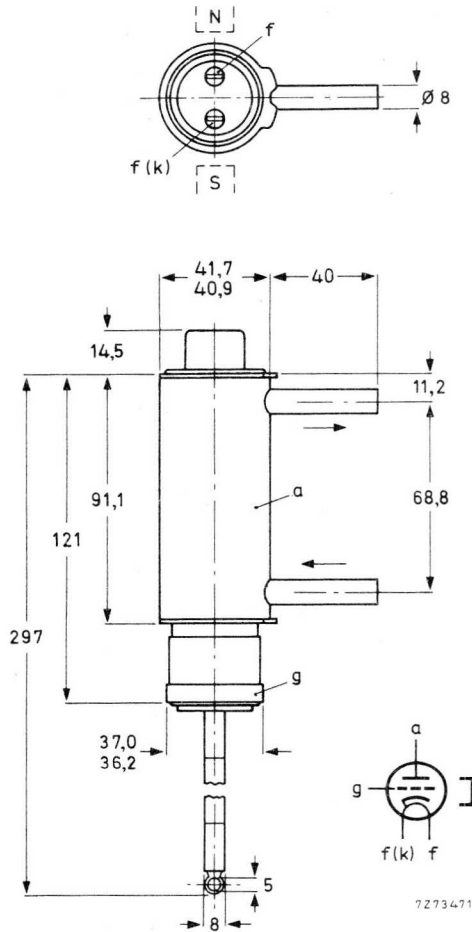
* 100 Pa ≈ 1 at.

MECHANICAL DATA

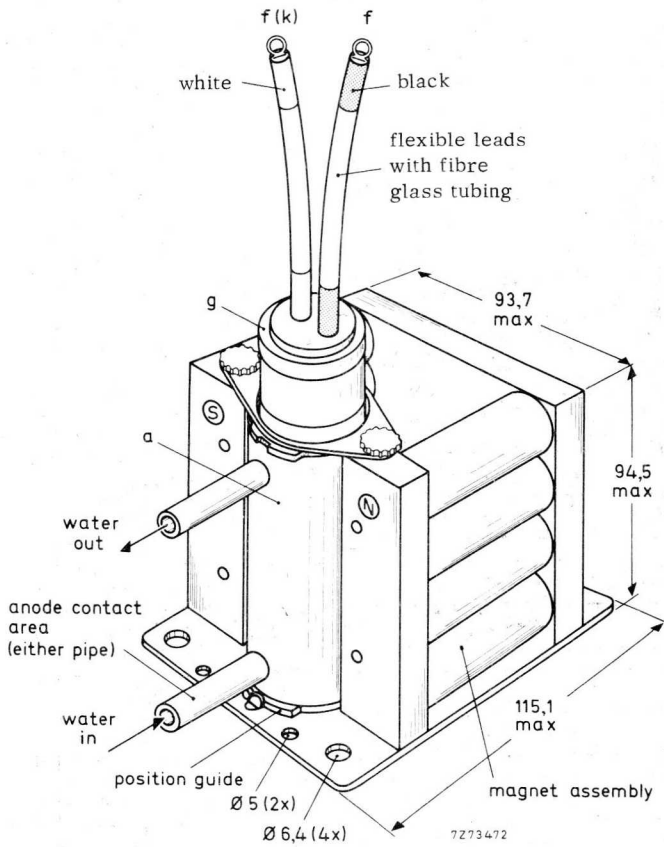
Dimensions in mm

Mounting position : vertical

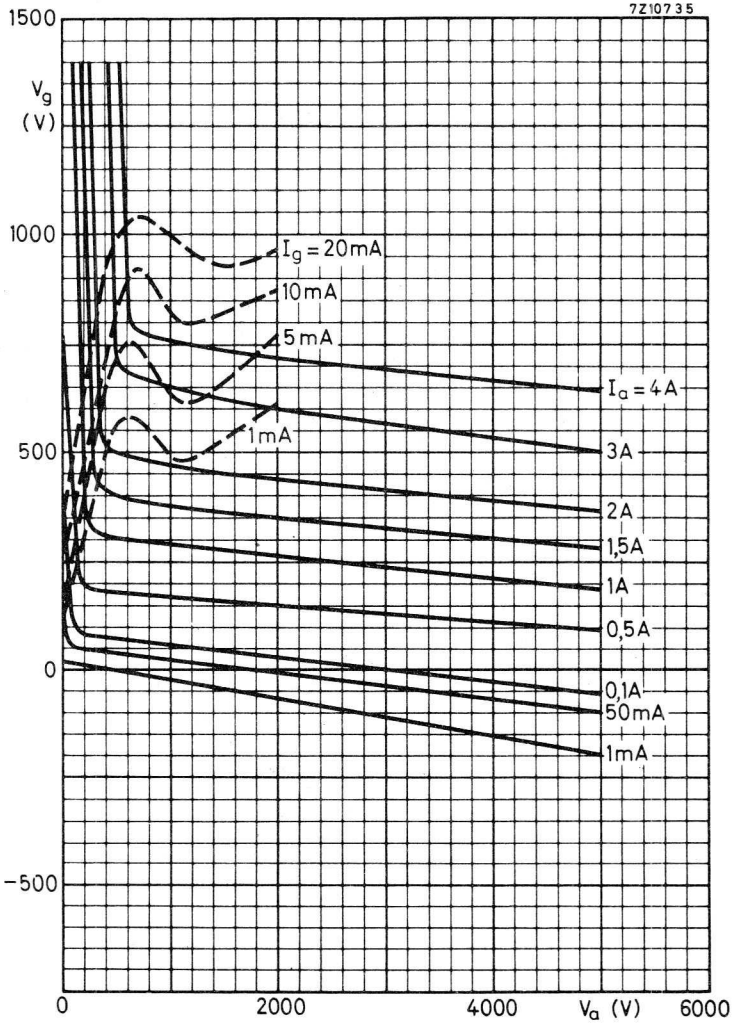
Net mass : approx. 0,45 kg



Due to the very rugged construction of this type, generally it can be shipped mounted in the equipment.



Tube mounted in magnet assembly 40765



QUICK HEATING R.F. PENTODE

Quick-heating pentode for use as RF amplifier, oscillator or frequency multiplier up to 200 MHz and as AF modulator. Designed for intermittent or continuous filament operation in transistorised mobile transmitters.

QUICK REFERENCE DATA			
Frequency (MHz)	C telegraphy		
	V_a (V)	W_{drive} (W)	W_{load} (W)
50	300	0.2	8
175	250	1.0	3.6

HEATING: direct by AC or DC; parallel supply

Filament oxide-coated

Filament voltage V_f 1.1 V \pm 15%

Filament current I_f 0.88 A

Frequency of filament supply

with sinusoidal voltage f max. 200 Hz

with square-wave voltage f any

70% of the full output power will be reached within 0.5 sec after switching-on.

CAPACITANCES

Anode to all except grid No. 1 C_a 3.8 pF

Grid No. 1 to all except anode C_{g1} 6.5 pF

Anode to grid No. 1 C_{ag1} 0.15 pF

TYPICAL CHARACTERISTICS

Anode voltage	V_a	120 V
Grid No. 2 voltage	V_{g_2}	120 V
Anode current	I_a	30 mA
Amplification factor	$\mu_{g_2g_1}$	8
Mutual conductance	S	4.5 mA/V
Modulation hum		-60 dB relative to carrier (with centre tapped filament supply on a single stage)

TEMPERATURE LIMITS (Absolute limits)

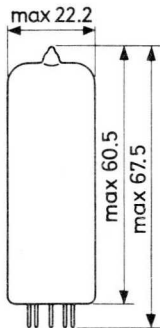
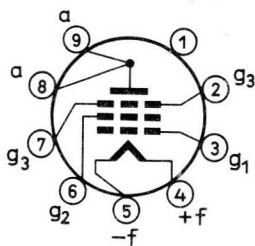
Bulb temperature	max. 200 °C
Pin seal temperature	max. 120 °C

MECHANICAL DATA

Dimensions in mm

Base : Noval

Net weight: 15 g



Mounting position: any

ACCESSORIES

Socket: 2422 502 01003

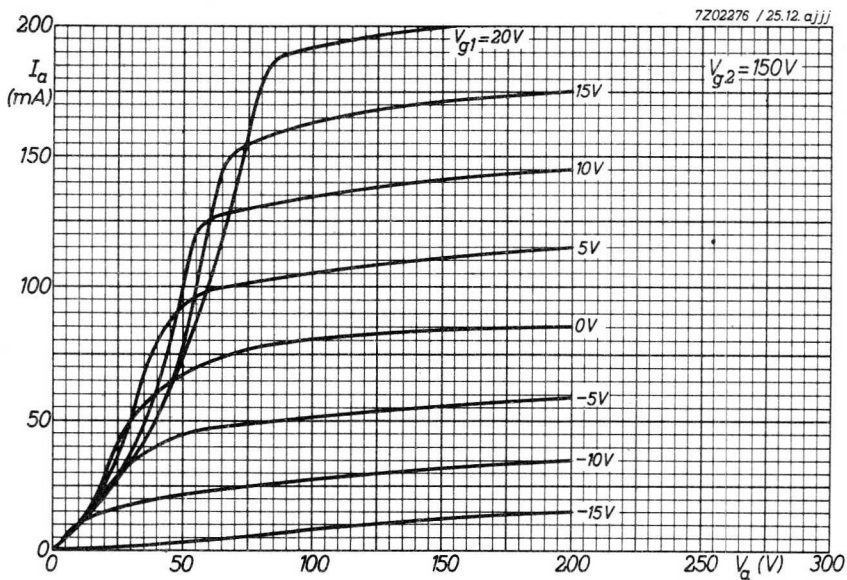
R.F. CLASS C TELEGRAPHY or F.M. TELEPHONY

LIMITING VALUES (Absolute limits)

Frequency	f	up to 50		up to 175 MHz	
Anode voltage	V_a	max.	300	300	V
Anode input power	W_{i_a}	max.	12	9	W
Anode dissipation	W_a	max.	5	5	W
Anode current	I_a	max.	40	40	mA
Grid No. 2 voltage	V_{g_2}	max.	300	300	V
Grid No. 2 dissipation	W_{g_2}	max.	1	1	W
Negative grid No. 1 voltage	$-V_{g_1}$	max.	100	100	V
Grid No. 1 current	I_{g_1}	max.	2.5	2.5	mA

OPERATING CONDITIONS

f	50			175			MHz
V_a	300	250	200	300	250	200	V
V_{g_2}	150	150	150	150	150	150	V
V_{g_1}	-35	-35	-35	-35	-35	-35	V
I_a	40	40	40	30	35	40	mA
I_{g_2}	3.5	5	6	2	2.5	3	mA
I_{g_1}	0.85	0.95	1.05	0.07	0.2	0.5	mA
$V_{g_{1p}}$	49.5	52	53				V
W_{g_2}	0.53	0.75	0.9	0.3	0.38	0.45	W
W_{i_a}	12	10	8	9	8.75	8	W
W_a	3.6	3.0	2.5	4.6	4.2	3.5	W
W_{load}	8	6.7	5.2	3.3	3.6	3.6	W



WATER COOLED R.F. POWER TETRODE

Water cooled R.F. power tetrode in coaxial metal-ceramic construction intended for use as V.H.F. amplifier and S.S.B. amplifier.

QUICK REFERENCE DATA.						
Frequency (MHz)	S.S.B.		C telegr. FM teleph.		C _{ag2} mod.	
	V _a (kV)	W _o (kW) PEP	V _a (kV)	W _l (kW)	V _a (kV)	W _o (kW)
30	8	30				
	10	33			10	55
220			5,5	25		

HEATING: direct; thoraited tungsten filament

Filament voltage	V _f	9	V	
Filament current	I _f	200	A	

CAPACITANCES

Anode to all except grid no. 1	C _a (g ₁)	42	pF	
Grid no. 1 to all except anode	C _{g1(a)}	260	pF	
Anode to grid no. 1	C _{ag1}	1,5	pF	

TYPICAL CHARACTERISTICS

Anode voltage	V _a	3	kV	
Grid no. 2 voltage	V _{g2}	1,2	kV	
Anode current	I _a	2,5	A	
Transconductance	S	65	mA/V	
Amplification factor	μ _{g2g1}	6,6	-	

TEMPERATURE LIMITS AND COOLING

Absolute max. envelope and seal temperature	$t_{env.}$	max. 220 °C
Absolute max. water inlet temperature	t_i	max. 50 °C
Required quantity of water		see cooling curves

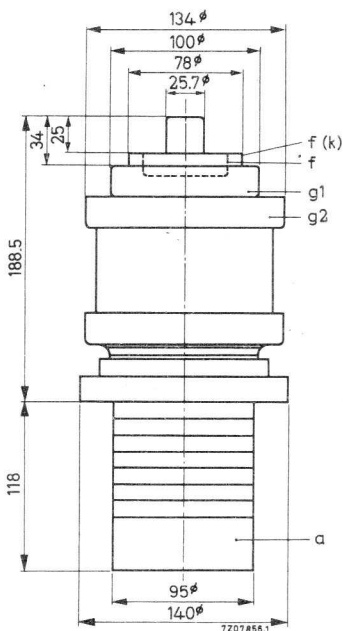
For temperatures t_i between 20 °C and 50 °C the required quantity of water can be found by linear interpolation.

MECHANICAL DATA

Dimensions in mm

Net weight: approx. 7 kg

Mounting position: Vertical with anode down



ACCESSORIES

Water-jacket	type K732
Inner filament connector	type 40725
Outer filament connector	type 40726
Grid No.1 connector	type 40727
Grid No.2 connector	type 40728

R.F. CLASS AB LINEAR AMPLIFIER, SINGLE SIDE BAND, suppressed carrier

LIMITING VALUES (Absolute max. rating system)

Frequency	f	up to	30 MHz
Anode voltage	V_a	max.	12 kV
Grid No. 2 voltage	V_{g2}	max.	1.4 kV
Grid No. 1 voltage	$-V_{g1}$	max.	350 V
Anode current	I_a	max.	10 A
Anode input power	W_{i_a}	max.	72 kW
Anode dissipation	W_a	max.	30 kW
Grid No. 2 dissipation	W_{g2}	max.	600 W
Grid No. 1 dissipation	W_{g1}	max.	300 W

OPERATING CONDITIONS

Frequency	f	30	MHz	
Anode voltage	V_a	8	kV	
Grid No. 2 voltage	V_{g2}	1.2	kV	
Grid No. 1 voltage	V_{g1}	-175	V ¹⁾	
		zero signal	single tone	double tone
Grid No. 1 driving voltage	V_{g1P}	0	175	175 V
Anode current	I_a	2	5.9	3.8 A
Grid No. 2 current	I_{g2}	0	250	100 mA
Grid No. 1 current	I_{g1}	0	0	0 mA
Anode input power	W_{i_a}	16	47.2	30.4 kW
Anode dissipation	W_a	16	17.2	15.4 kW
Grid No. 2 dissipation	W_{g2}	0	300	120 W
Output power (P.E.P.)	W_o	0	30	30 kW
Efficiency	η	-	63.5	49 %
Intermodulation distortion				
3 ^d order	d_3	-	-	41 dB ²⁾
5 th order	d_5	-	-	54 dB ²⁾

1) 2) See page 4

OPERATING CONDITIONS (continued)

Frequency	f	30			MHz
Anode voltage	V_a	10			kV
Grid No.2 voltage	V_{g2}	1.2			kV
Grid No.1 voltage	V_{g1}	-185			V ¹⁾
		zero signal	single tone	double tone	
Grid No.1 driving voltage	V_{g1p}	0	185	185	V
Anode current	I_a	2	5.2	3.3	A
Grid No.2 current	I_{g2}	0	250	80	mA
Grid No.1 current	I_{g1}	0	0	0	mA
Anode input power	W_{i_a}	20	52	33	kW
Anode dissipation	W_a	20	19	16.5	kW
Grid No.2 dissipation	W_{g2}	0	300	96	W
Output power (P.E.P.)	W_o	0	33	33	kW
Efficiency	η	-	63	50	%
Intermodulation distortion					
3 ^d order	d_3	-	-	-41	dB ²⁾
5 th order	d_5	-	-	-54	dB ²⁾

1) Adjust to give the zero signal anode current.

2) Maximum values encountered at any level of drive voltage up to full drive referred to the amplitude of either of the two equal tones at that level.

R.F. CLASS C TELEGRAPHY OR F.M. TELEPHONY, grounded grid

LIMITING VALUES (Absolute max. rating system)

Frequency	f	up to 220 MHz
Anode voltage	V_a	max. 5.6 kV
Grid No.2 voltage	V_{g2}	max. 1 kV
Grid No.1 voltage	$-V_{g1}$	max. 250 V
Anode current	I_a	max. 10 A
Anode input power	W_{i_a}	max. 72 kW
Anode dissipation	W_a	max. 30 kW
Grid No.2 dissipation	W_{g2}	max. 300 W
Grid No.1 dissipation	W_{g1}	max. 200 W

OPERATING CONDITIONS

Frequency	f	220 MHz
Anode voltage	V_a	5.5 kV
Grid No.2 voltage	V_{g2}	800 V
Grid No.1 voltage	V_{g1}	-200 V
Anode current	I_a	7 A
Grid No.2 current	I_{g2}	250 mA
Grid No.1 current	I_{g1}	150 mA
Driver output power	W_{dr}	2 kW
Anode input power	W_{i_a}	38.5 kW
Anode dissipation	W_a	9 kW
Output power in load	W_{ℓ}	25 kW ¹⁾
Efficiency	η	77 %

¹⁾ Feedthrough power inclusive. Measured in a circuit having an efficiency of approx. 85%.

R.F. CLASS C ANODE AND SCREEN GRID MODULATION (carrier conditions)

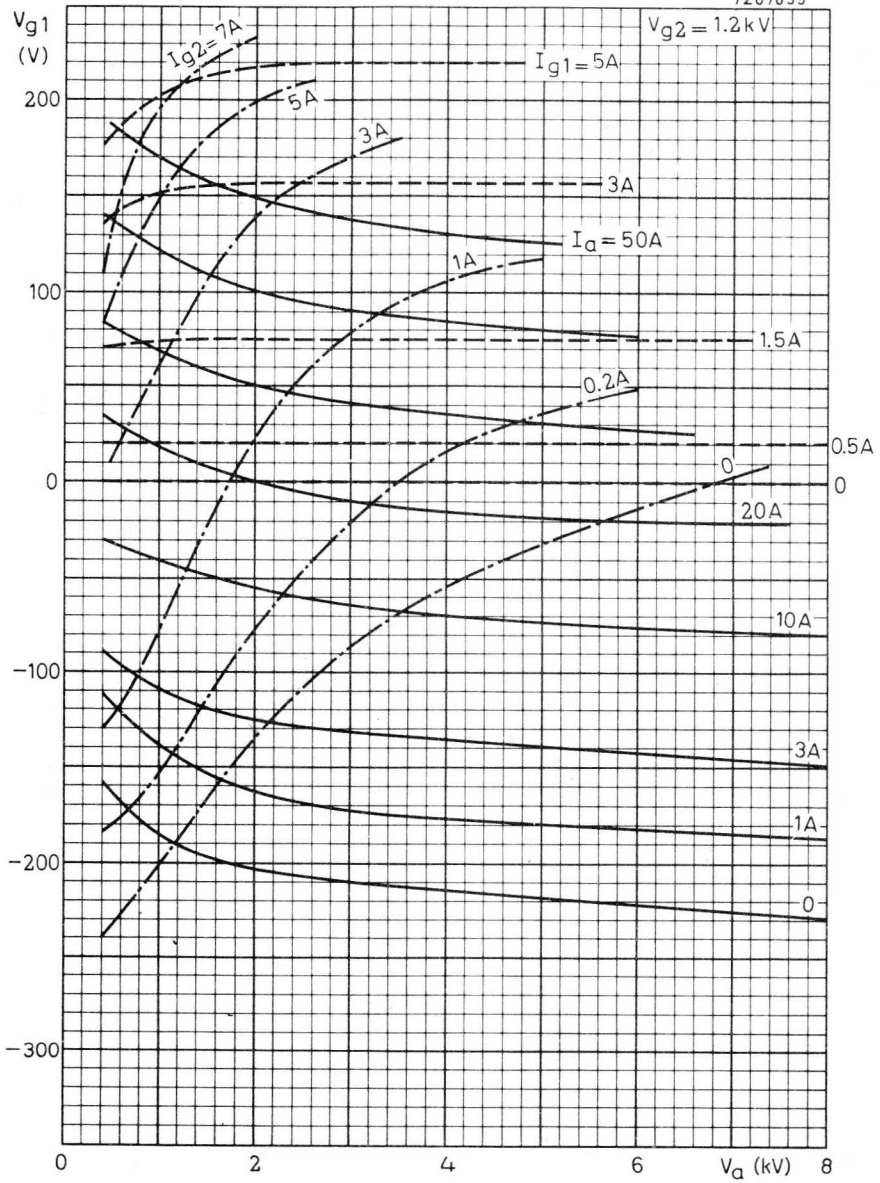
LIMITING VALUES (Absolute max. rating system)

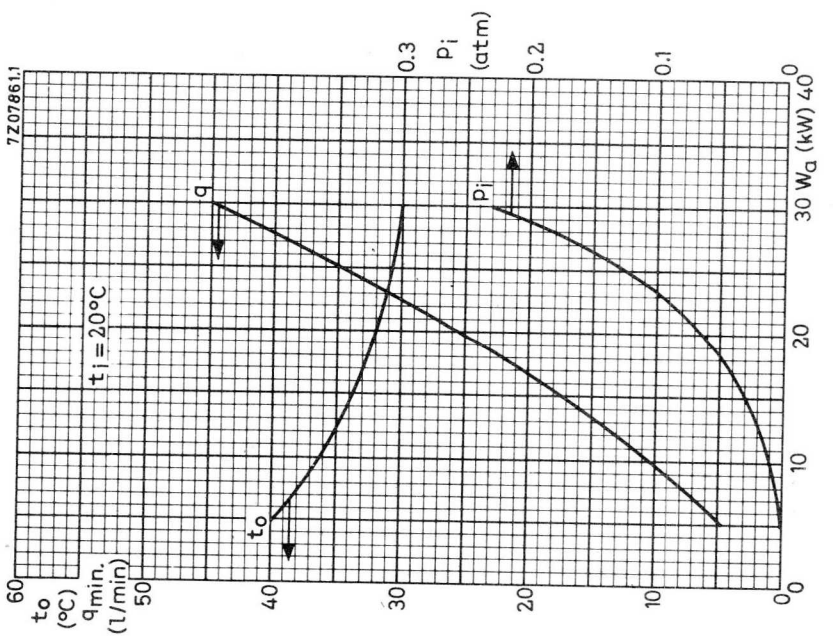
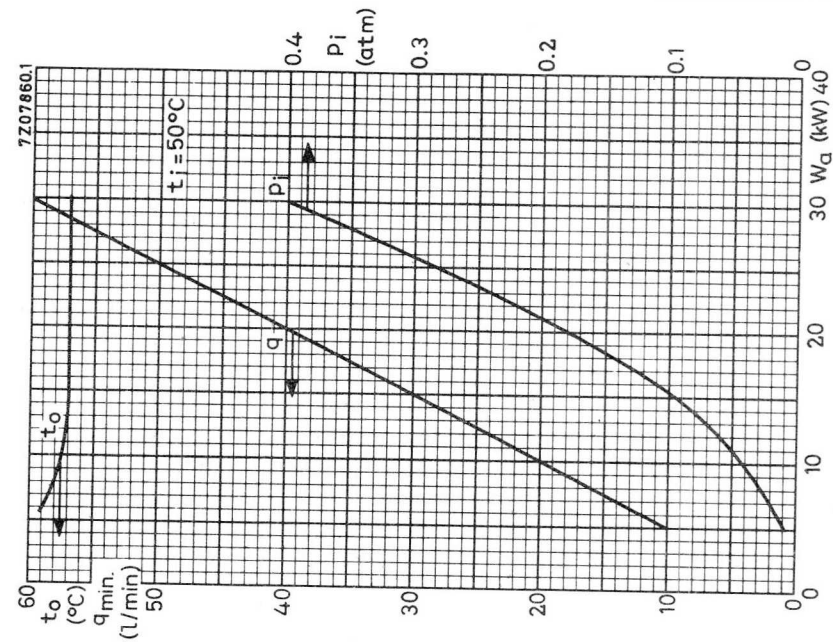
Frequency	f	up to 30 MHz
Anode voltage	V_a	max. 10 kV
Anode input power	W_{i_a}	max. 74 kW
Anode dissipation	W_a	max. 20 kW
Anode current	I_a	max. 8.5 A
Grid No.2 voltage	V_{g2}	max. 900 V
Grid No.2 dissipation	W_{g2}	max. 600 W
Grid No.1 voltage	$-V_{g1}$	max. 350 V
Grid No.1 dissipation	W_{g1}	max. 300 W

OPERATING CONDITIONS

Frequency	f	30 MHz
Anode voltage	V_a	10 kV
Grid No.2 voltage	V_{g2}	800 V
Grid No.1 voltage	V_{g1}	-150 V
Grid No.1 resistor	R_{g1}	500 Ω
Anode current	I_a	7.4 A
Grid No.2 current	I_{g2}	340 mA
Grid No.1 current	I_{g1}	310 mA
Driver output power	W_{dr}	120 W
Anode input power	W_{i_a}	74 kW
Anode dissipation	W_a	19 kW
Output power	W_o	55 kW
Efficiency	η	74.4 %
Modulation depth	m	100 %
Modulation power	W_{mod}	37 kW
Grid No.2 voltage, peak	V_{g2p}	700 V

7Z07859





AIR COOLED R.F. POWER TETRODE

Air cooled R.F. power tetrode in coaxial metal-ceramic construction intended for use as V.H.F. amplifier and S.S.B. amplifier.

QUICK REFERENCE DATA				
Frequency (MHz)	S.S.B.		C telegr. FM teleph.	
	V_a (kV)	W_o (kW) PEP	V_a (kV)	W_f (kW)
30	8	30		
	10	33		
220			5,5	25

HEATING: direct; thoriated tungsten filament

Filament voltage	V_f	9 V	←
Filament current	I_f	200 A	

CAPACITANCES

Anode to all except grid no. 1	$C_a(g_1)$	42 pF
Grid no. 1 to all except anode	$C_{g_1(a)}$	260 pF
Anode to grid no. 1	C_{ag_1}	1,5 pF

TYPICAL CHARACTERISTICS

Anode voltage	V_a	3 kV
Grid no. 2 voltage	V_{g_2}	1,2 kV
Anode current	I_a	2,5 A
Transconductance	S	65 mA/V
Amplification factor	$\mu_{g_2g_1}$	6,6 -

TEMPERATURE LIMITS AND COOLING

Absolute max. envelope and seal temperature

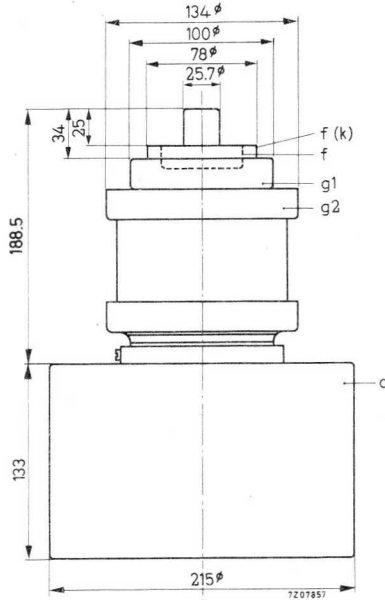
$t_{env.}$ max. 220 °C

MECHANICAL DATA

Dimensions in mm

Net weight: approx. 13.5 kg

Mounting position: Vertical with anode down



ACCESSORIES

Insulating pedestal	type 40729
Inner filament connector	type 40725
Outer filament connector	type 40726
Grid No.1 connector	type 40727
Grid No.2 connector	type 40728

R.F. CLASS AB LINEAR AMPLIFIER, SINGLE SIDE BAND, suppressed carrier

LIMITING VALUES (Absolute max. rating system)

Frequency	f	up to	30	MHz
Anode voltage	V_a	max.	12	kV
Grid No.2 voltage	V_{g2}	max.	1.4	kV
Grid No.1 voltage	$-V_{g1}$	max.	350	V
Anode current	I_a	max.	10	A
Anode input power	W_{i_a}	max.	72	kW
Anode dissipation	W_a	max.	30	kW
Grid No.2 dissipation	W_{g2}	max.	600	W
Grid No.1 dissipation	W_{g1}	max.	300	W

OPERATING CONDITIONS

Frequency	f	30	MHz		
Anode voltage	V_a	8	kV		
Grid No.2 voltage	V_{g2}	1.2	kV		
Grid No.1 voltage	V_{g1}	-175	V ¹⁾		
		zero signal	single tone	double tone	
Grid No.1 driving voltage	V_{g1P}	0	175	175	V
Anode current	I_a	2	5.9	3.8	A
Grid No.2 current	I_{g2}	0	250	100	mA
Grid No.1 current	I_{g1}	0	0	0	mA
Anode input power	W_{i_a}	16	47.2	30.4	kW
Anode dissipation	W_a	16	17.2	15.4	kW
Grid No.2 dissipation	W_{g2}	0	300	120	W
Output power (P.E.P.)	W_o	0	30	30	kW
Efficiency	η	-	63.5	49	%
Intermodulation distortion					
3 ^d order	d_3	-	-	41	dB ²⁾
5 th order	d_5	-	-	54	dB ²⁾

1) 2) See page 4

OPERATING CONDITIONS(continued)

		-185		
		zero signal	single tone	double tone
Frequency	f	30		MHz
Anode voltage	V _a	10		kV
Grid No. 2 voltage	V _{g2}	1.2		kV
Grid No. 1 voltage	V _{g1}			V ¹⁾
Grid No. 1 driving voltage	V _{g1p}	0	185	185 V
Anode current	I _a	2	5.2	3.3 A
Grid No. 2 current	I _{g2}	0	250	80 mA
Grid No. 1 current	I _{g1}	0	0	0 mA
Anode input power	W _{i a}	20	52	33 kW
Anode dissipation	W _a	20	19	16.5 kW
Grid No. 2 dissipation	W _{g2}	0	300	96 W
Output power (P.E.P.)	W _o	0	33	33 kW
Efficiency	η	-	63	50 %
Intermodulation distortion				
3 ^d order	d ₃	-	-	-41 dB ²⁾
5 th order	d ₅	-	-	-54 dB ²⁾

¹⁾ Adjust to give the zero signal anode current.

²⁾ Maximum values encountered at any level of drive voltage up to full drive referred to the amplitude of either of the two equal tones at that level.

R.F. CLASS C TELEGRAPHY OR F.M. TELEPHONY , grounded grid

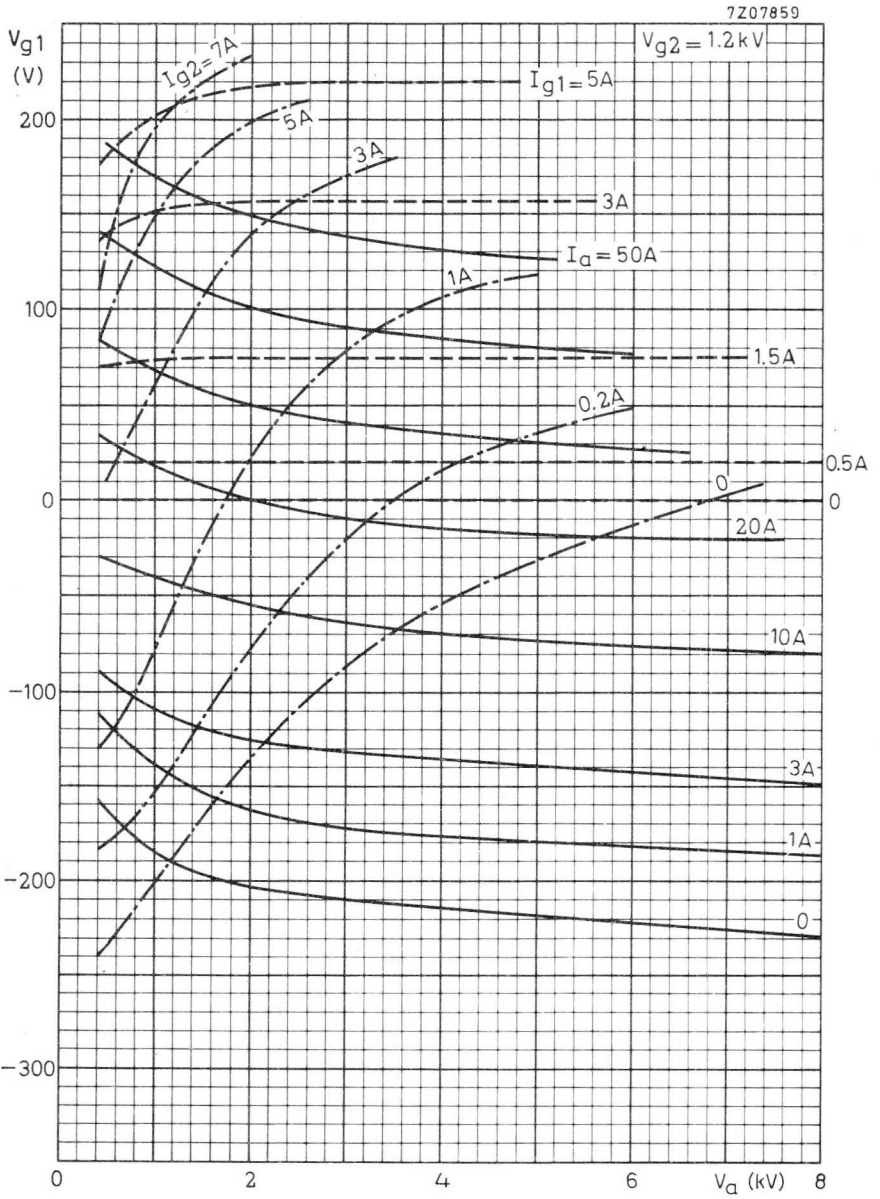
LIMITING VALUES (Absolute max. rating system)

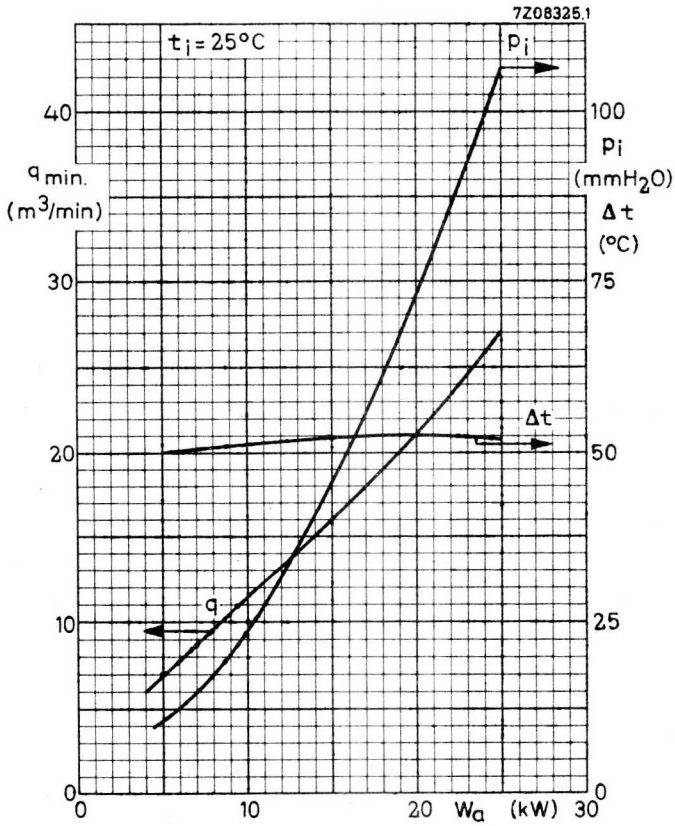
Frequency	f	up to 220 MHz
Anode voltage	V_a	max. 5.6 kV
Grid No.2 voltage	V_{g2}	max. 1 kV
Grid No.1 voltage	$-V_{g1}$	max. 250 V
Anode current	I_a	max. 10 A
Anode input power	W_{i_a}	max. 72 kW
Anode dissipation	W_a	max. 30 kW
Grid No.2 dissipation	W_{g2}	max. 300 W
Grid No.1 dissipation	W_{g1}	max. 200 W

OPERATING CONDITIONS

Frequency	f	220 MHz
Anode voltage	V_a	5.5 kV
Grid No.2 voltage	V_{g2}	800 V
Grid No.1 voltage	V_{g1}	-200 V
Anode current	I_a	7 A
Grid No.2 current	I_{g2}	250 mA
Grid No.1 current	I_{g1}	150 mA
Driver output power	W_{dr}	2 kW
Anode input power	W_{i_a}	38.5 kW
Anode dissipation	W_a	9 kW
Output power in load	W_f	25 kW ¹⁾
Efficiency	η	77 %

¹⁾ Feedthrough power inclusive. Measured in a circuit having an efficiency of approx. 85%.





VAPOUR COOLED R.F. POWER TETRODE

Vapour cooled R.F. power tetrode in coaxial metal-ceramic construction intended for use as V.H.F. amplifier and S.S.B. amplifier.

QUICK REFERENCE DATA						
Frequency (MHz)	S.S.B.		C telegr. FM teleph.		C _{ag2} mod.	
	V _a (kV)	W _o (kW) PEP	V _a (kV)	W _l (kW)	V _a (kV)	W _o (kW)
30	8	30				
	10	33			10	55
220			5,5	25		

HEATING: direct; thoriated tungsten filament

Filament voltage	V _f	9 V	←
Filament current	I _f	200 A	←

CAPACITANCES

Anode to all except grid no. 1	C _a (g ₁)	42 pF
Grid no. 1 to all except anode	C _{g1} (a)	260 pF
Anode to grid no. 1	C _{ag1}	1,5 pF

TYPICAL CHARACTERISTICS

Anode voltage	V _a	3 kV
Grid no. 2 voltage	V _{g2}	1,2 kV
Anode current	I _a	2,5 A
Transconductance	S	65 mA/V
Amplification factor	μ _{g2g1}	6,6 -

TEMPERATURE LIMITS AND COOLING

Absolute max. envelope and seal temperature

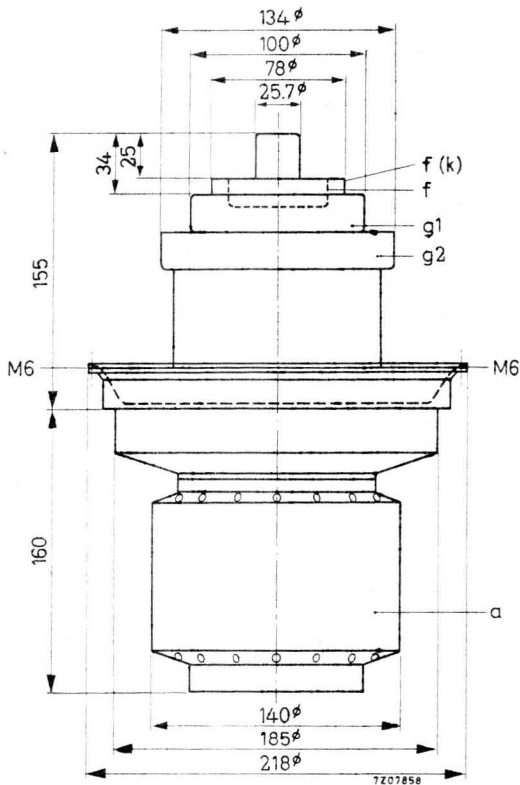
$t_{env.}$ max. 220 °C

MECHANICAL DATA

Dimensions in mm

Net weight: approx. 14.7 kg

Mounting position: Vertical with anode down



ACCESSORIES

Boiler	type K 728
Inner filament connector	type 40725
Outer filament connector	type 40726
Grid No. 1 connector	type 40727
Grid No. 2 connector	type 40728

R.F. CLASS AB LINEAR AMPLIFIER, SINGLE SIDE BAND, suppressed carrier

LIMITING VALUES (Absolute max. rating system)

Frequency	f	up to	30	MHz
Anode voltage	V_a	max.	12	kV
Grid No. 2 voltage	V_{g_2}	max.	1.4	kV
Grid No. 1 voltage	$-V_{g_1}$	max.	350	V
Anode current	I_a	max.	10	A
Anode input power	W_{i_a}	max.	72	kW
Anode dissipation	W_a	max.	45	kW
Grid No. 2 dissipation	W_{g_2}	max.	600	W
Grid No. 1 dissipation	W_{g_1}	max.	300	W

OPERATING CONDITIONS

Frequency	f	30	MHz		
Anode voltage	V_a	8	kV		
Grid No. 2 voltage	V_{g_2}	1.2	kV		
Grid No. 1 voltage	V_{g_1}	-175	V ¹⁾		
		zero signal	single tone	double tone	
Grid No. 1 driving voltage	V_{g_1P}	0	175	175	V
Anode current	I_a	2	5.9	3.8	A
Grid No. 2 current	I_{g_2}	0	250	100	mA
Grid No. 1 current	I_{g_1}	0	0	0	mA
Anode input power	W_{i_a}	16	47.2	30.4	kW
Anode dissipation	W_a	16	17.2	15.4	kW
Grid No. 2 dissipation	W_{g_2}	0	300	120	W
Output power (P.E.P.)	W_o	0	30	30	kW
Efficiency	η	-	63.5	49	%
Intermodulation distortion					
3 ^d order	d_3	-	-	41	dB ²⁾
5 th order	d_5	-	-	54	dB ²⁾

1) 2) See page 4

OPERATING CONDITIONS (continued)

		30	MHz	
Frequency	f	30	MHz	
Anode voltage	V _a	10	kV	
Grid No.2 voltage	V _{g2}	1.2	kV	
Grid No.1 voltage	V _{g1}	-185	V ¹⁾	
		zero signal	single tone	double tone
Grid No.1 driving voltage	V _{g1p}	0	185	185 V
Anode current	I _a	2	5.2	3.3 A
Grid No.2 current	I _{g2}	0	250	.80 mA
Grid No.1 current	I _{g1}	0	0	0 mA
Anode input power	W _{i_a}	20	52	33 kW
Anode dissipation	W _a	20	19	16.5 kW
Grid No.2 dissipation	W _{g2}	0	300	96 W
Output power (P.E.P.)	W _o	0	33	33 kW
Efficiency	η	-	63	50 %
Intermodulation distortion				
3 ^d order	d ₃	-	-	-41 dB ²⁾
5 th order	d ₅	-	-	-54 dB ²⁾

¹⁾ Adjust to give the zero signal anode current.

²⁾ Maximum values encountered at any level of drive voltage up to full drive referred to the amplitude of either of the two equal tones at that level.

R.F. CLASS C TELEGRAPHY OR F.M. TELEPHONY, grounded grid

LIMITING VALUES (Absolute max. rating system)

Frequency	f	up to	220 MHz
Anode voltage	V_a	max.	5.6 kV
Grid No.2 voltage	V_{g2}	max.	1 kV
Grid No.1 voltage	$-V_{g1}$	max.	250 V
Anode current	I_a	max.	10 A
Anode input power	W_{i_a}	max.	72 kW
Anode dissipation	W_a	max.	45 kW
Grid No.2 dissipation	W_{g2}	max.	300 W
Grid No.1 dissipation	W_{g1}	max.	200 W

OPERATING CONDITIONS

Frequency	f	220 MHz
Anode voltage	V_a	5.5 kV
Grid No.2 voltage	V_{g2}	800 V
Grid No.1 voltage	V_{g1}	-200 V
Anode current	I_a	7 A
Grid No.2 current	I_{g2}	250 mA
Grid No.1 current	I_{g1}	150 mA
Driver output power	W_{dr}	2 kW
Anode input power	W_{i_a}	38.5 kW
Anode dissipation	W_a	9 kW
Output power in load	W_l	25 kW ¹⁾
Efficiency	η	77 %

¹⁾ Feedthrough power inclusive. Measured in a circuit having an efficiency of approx. 85%.

R.F. CLASS C ANODE AND SCREEN GRID MODULATION (carrier conditions)

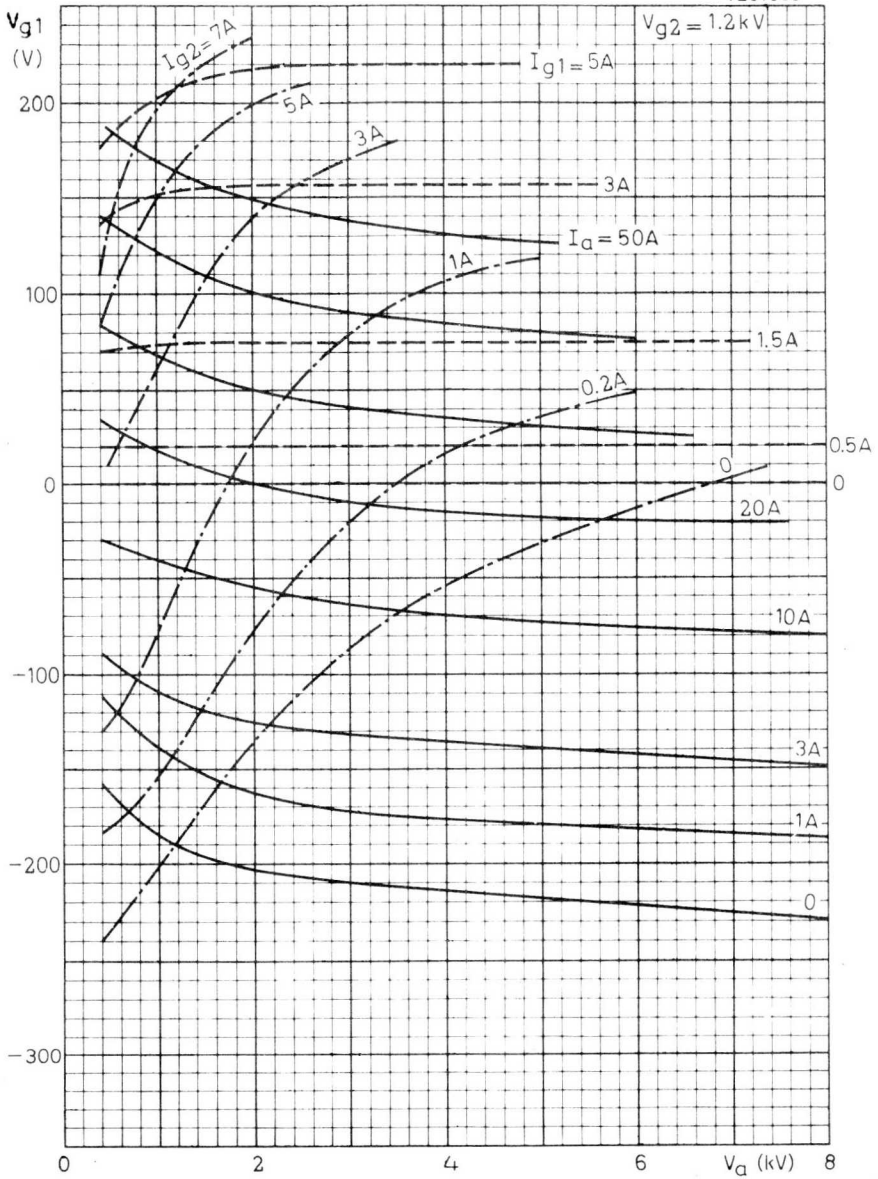
LIMITING VALUES (Absolute max. rating system)

Frequency	f	up to	30 MHz
Anode voltage	V_a	max.	10 kV
Anode input power	W_{i_a}	max.	74 kW
Anode dissipation	W_a	max.	30 kW
Anode current	I_a	max.	8.5 A
Grid No.2 voltage	V_{g_2}	max.	900 V
Grid No.2 dissipation	W_{g_2}	max.	600 W
Grid No.1 voltage	$-V_{g_1}$	max.	350 V
Grid No.1 dissipation	W_{g_1}	max.	300 W

OPERATING CONDITIONS

Frequency	f	30 MHz
Anode voltage	V_a	10 kV
Grid No.2 voltage	V_{g_2}	800 V
Grid No.1 voltage	V_{g_1}	-150 V
Grid No.1 resistor	R_{g_1}	500 Ω
Anode current	I_a	7.4 A
Grid No.2 current	I_{g_2}	340 mA
Grid No.1 current	I_{g_1}	310 mA
Driver output power	W_{dr}	120 W
Anode input power	W_{i_a}	74 kW
Anode dissipation	W_a	19 kW
Output power	W_o	55 kW
Efficiency	η	74.4 %
Modulation depth	m	100 %
Modulation power	W_{mod}	37 kW
Grid No.2 voltage, peak	V_{g_2p}	700 V

7207859



QUICK HEATING R.F. DOUBLE TETRODE

Quick heating double tetrode for use as R.F. amplifier and frequency multiplier up to 500 MHz. Designed for intermittent service in transistorised mobile equipment.

QUICK REFERENCE DATA						
Freq. (MHz)	C telegr.		C _{a-g2} mod.		C freq. tripler	
	V _a (V)	W ₀ ¹⁾ (W)	V _a (V)	W ₀ ¹⁾ (W)	V _a (V)	W ₀ ¹⁾ (W)
200	300	16	300	13		
	400	22	500	22		
	600	35				
460	400	17				
66.7/200 153/460					300	7
					300	5.5

HEATING: Direct by A.C. or D.C. Filament oxide coated

Filament voltage V_f max. 1.6 V

Filament current at $V_f = 1.6$ V $I_f = 4.0$ A

Heating time for $W_0 = 70\%$ of full output power $T_h < 0.5$ sec

The filament has been designed to accept temporary variations in supply voltage of -25% .

The frequency of the A.C. filament supply may be

for sinusoidal supply voltages max. 200 Hz

for square wave supply voltages any

CAPACITANCES in push-pull connection

Input capacitance $C_i = 4.0$ pF

Output capacitance $C_o = 1.5$ pF

The tube is internally neutralised

¹⁾ Useful power in the load

TYPICAL CHARACTERISTICS (each system)

Filament voltage	V_f	=	1.4	V
Anode voltage	V_a	=	300	V
Grid No. 2 voltage	V_{g2}	=	250	V
Anode current	I_a	=	40	mA
Mutual conductance	S	=	4.0	mA/V
Amplification factor	$\mu_{g_2g_1}$	=	9	

TEMPERATURE LIMITS (Absolute limits)

Bulb and anode seal temperature = max. 250 °C

Base seal temperature = max. 180 °C

Anode connectors providing a high degree of heat transfer by radiation or conduction should be used

MECHANICAL DATA

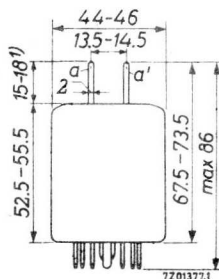
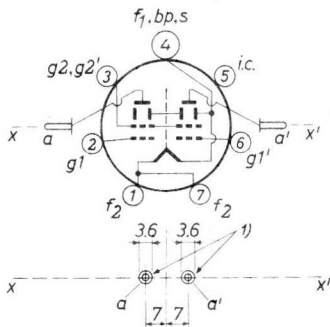
Dimensions in mm

Net weight 50 g

Base : Septar

Socket : 2422 513 00001

Anode connector: 40623



Mounting position: any

If the tube is mounted with its main axis horizontally it is recommended that the plane of the anodes be vertical

Contacts 1 and 7 should be strapped together externally to reduce the effective contact resistance

1) Location of the anode pins within these circles.

R.F. CLASS C TELEGRAPHY OR F.M. TELEPHONY. Two systems in push-pull intermittent mobile service

LIMITING VALUES (Absolute limits)

Frequency	f	up to 200	up to 500	MHz
Anode voltage	V_a	= max. 600	max. 450	V
Anode input power	W_{ia}	= max. 70	max. 50	W
Anode dissipation	W_a	= max. 2x10	max. 2x10	W
Grid No.2 voltage	V_{g2}	= max. 300	max. 300	V
Grid No.2 dissipation	W_{g2}	= max. 2x1.5	max. 2x1.5	W
Negative grid No.1 voltage	$-V_{g1}$	= max. 75	max. 75	V
Grid No.1 current	I_{g1}	= max. 2x2.5	max. 2x2.5	mA
Grid No.1 dissipation	W_{g1}	= max. 2x0.5	max. 2x0.5	W
Cathode current	I_k	= max. 2x60	max. 2x60	mA

OPERATING CHARACTERISTICS

Frequency	f	= 200	200	200	460	MHz
Anode voltage	V_a	= 300	400	600	400	V
Grid No.2 voltage	V_{g2}	= 250	250	250	250	V
Grid No.1 voltage	V_{g1}	= -40	-50	-60	-50	V
Driving voltage	$V_{g1g1'p}$	= 106	136	156	-	V
Anode current	I_a	= 2x50	2x50	2x50	2x50	mA
Grid No.2 current	I_{g2}	= 2x4	2x3.5	2x3.0	2x3.0	mA
Grid No.1 current	I_{g1}	= 2x1.5	2x1.5	2x1.0	2x0.6	mA
Driver output power	W_{dr}	= 1.2	1.3	1.5	5.0	W
Anode input power	W_{ia}	= 30	40	60	40	W
Anode dissipation	W_a	= 2x5.5	2x6.0	2x7.5	2x9.5	W
Output power	W_o	= 19	28	45	21	W
Efficiency	η	= 63	70	75	52.5	%
Output power in load	W_p	= 16	22	35	17	W

R.F. CLASS C ANODE AND SCREEN GRID MODULATION. Two systems in push-pull; intermittent mobile service

LIMITING VALUES (Absolute limits)

Frequency	f	up to	200	up to	500	MHz
Anode voltage	V_a	= max.	500	max.	373	V
Anode input power	W_{ia}	= max.	50	max.	37	W
Anode dissipation	W_a	= max.	2x7	max.	2x7	W
Grid No.2 voltage	V_{g2}	= max.	300	max.	300	V
Grid No.2 dissipation	W_{g2}	= max.	2x1.2	max.	2x1.2	W
Negative grid No.1 voltage	$-V_{g1}$	= max.	100	max.	100	V
Grid No.1 current	I_{g1}	= max.	2x2.5	max.	2x2.5	mA
Grid No.1 dissipation	W_{g1}	= max.	2x0.5	max.	2x0.5	W
Cathode current	I_k	= max.	2x55	max.	2x55	mA

OPERATING CHARACTERISTICS

Frequency	f	=	200	200	MHz
Anode voltage	V_a	=	300	500	V
Grid No.2 voltage	V_{g2}	=	250	250	V
Grid No.1 voltage	V_{g1}	=	-50	-80	V
Driving voltage	$V_{g1g1'p}$	=	166	220	V
Anode current	I_a	=	2x40	2x40	mA
Grid No.2 current	I_{g2}	=	2x3.5	2x4.0	mA
Grid No.1 current	I_{g1}	=	2x1.5	2x1.5	mA
Anode input power	W_{ia}	=	24	40	W
Anode dissipation	W_a	=	2x4	2x5.5	W
Output power	W_o	=	16	29	W
Efficiency	η	=	67	73	%
Output power in load	W_l	=	13	22	W

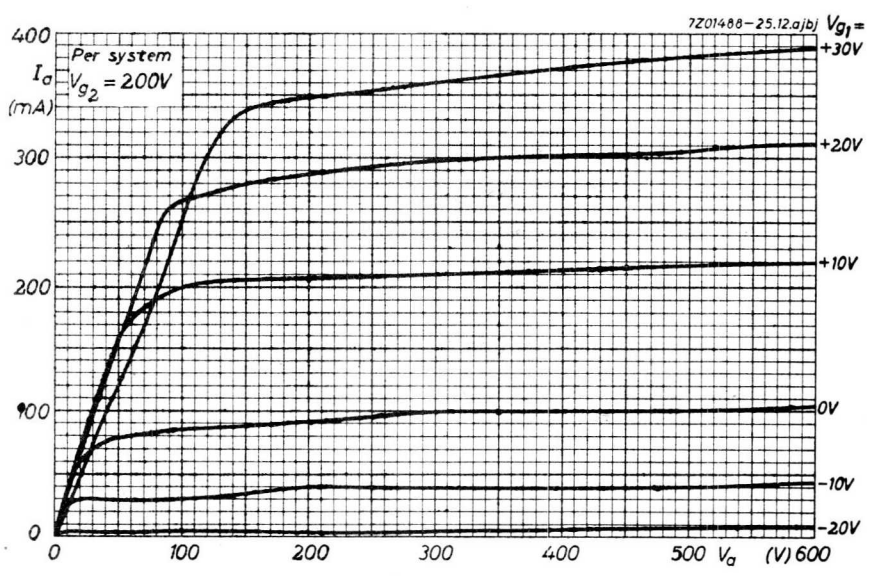
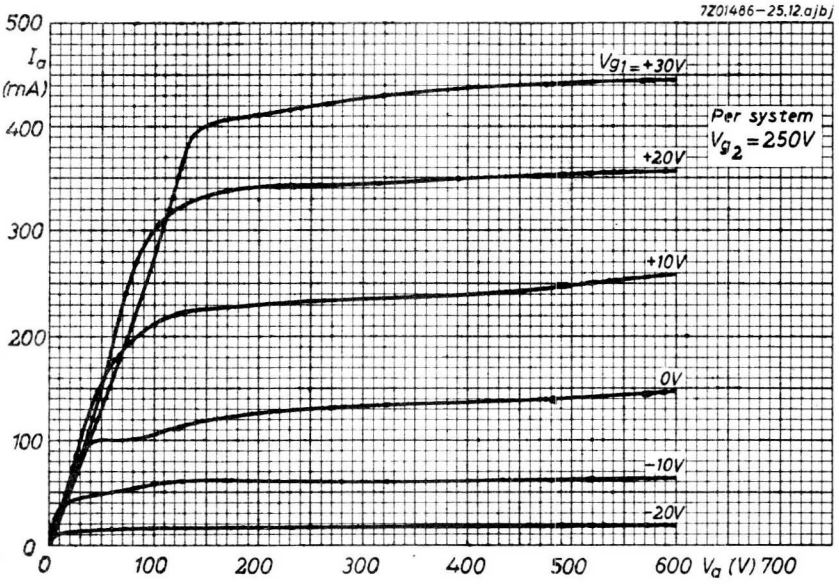
R.F. CLASS C FREQUENCY TRIPLER. Two systems in push-pull, intermittent mobile service.

LIMITING VALUES (Absolute limits)

Frequency	f	up to	500	MHz
Anode voltage	V_a	= max.	600	V
Anode input power	W_{ia}	= max.	54	W
Anode dissipation	W_a	= max.	2x10	W
Grid No.2 voltage	V_{g2}	= max.	250	V
Grid No.2 dissipation	W_{g2}	= max.	2x1.5	W
Negative grid No.1 voltage	$-V_{g1}$	= max.	200	V
Grid No.1 current	I_{g1}	= max.	2x4.5	mA
Grid No.1 dissipation	W_{g1}	= max.	2x0.5	W
Cathode current	I_k	= max.	2x55	mA

OPERATING CHARACTERISTICS

Frequency	f	=	66.7/200	153/460	MHz
Anode voltage	V_a	=	300	300	V
Grid No.2 voltage	V_{g2}	=	250	250	V
Grid No.1 voltage	V_{g1}	=	-175	-175	V
Driving voltage	$V_{g1g1'p}$	=	410	410	V
Anode current	I_a	=	2x45	2x45	mA
Grid No.2 current	I_{g2}	=	2x4.0	2x3.5	mA
Grid No.1 current	I_{g1}	=	2x3.0	2x2.5	mA
Driver output power	W_{dr}	=	3	5	W
Anode input power	W_{ia}	=	27	27	W
Anode dissipation	W_a	=	2x9	2x10	W
Output power	W_o	=	9	7	W
Efficiency	η	=	33	26	%
Output power in load	W_l	=	7	5.5	W



QUICK HEATING R.F. DOUBLE TETRODE

Quick heating, radiation and convection cooled double tetrode for use as R.F. power amplifier or frequency multiplier in mobile transmitters.

QUICK REFERENCE DATA						
Freq. (MHz)	R.F. class C telegr.		R.F. class C ag ₂ mod.		Frequency multiplier	
	C.C.S. $W_{\ell}(W)^1$	I.C.A.S. $W_{\ell}(W)^1$	C.C.S. $W_{\ell}(W)^1$	I.C.A.S. $W_{\ell}(W)^1$	C.C.S. $W_{\ell}(W)^1$	I.C.A.S. $W_{\ell}(W)^1$
180	45	75	32	53		
50/150					16	
157/470						12

HEATING: direct by A.C. or D.C.; filament oxide coated

Filament voltage $V_f = 2.1 \text{ V}$

Filament current $I_f = 4.5 \text{ A}$

Heating time for $W_o = 70\%$ of $W_{o \text{ max.}}$ $T_h < 0.5 \text{ sec}$

The frequency of the A.C. filament supply may be

with sinusoidal supply voltages max. 200 Hz

with square-wave supply voltages any

The filament has been designed to accept temporary fluctuations of supply voltage of $\pm 15\%$.

CAPACITANCES; two sections in push-pull connection

Input capacitance $C_i = 6.0 \text{ pF}$

Output capacitance $C_o = 2.0 \text{ pF}$

TYPICAL CHARACTERISTICS; each section

Anode voltage $V_a = 600 \text{ V}$

Grid No.2 voltage $V_{g2} = 250 \text{ V}$

Anode current $I_a = 40 \text{ mA}$

Mutual conductance $S = 4.5 \text{ mA/V}$

Amplification factor $\mu_{g2g1} = 8$

¹⁾ Output power in the load

TEMPERATURE LIMITS (Absolute limits)

Bulb temperature	=	max. 250 °C
Temperature of all seals	=	max. 250 °C
Pin temperature	=	max. 180 °C

COOLING

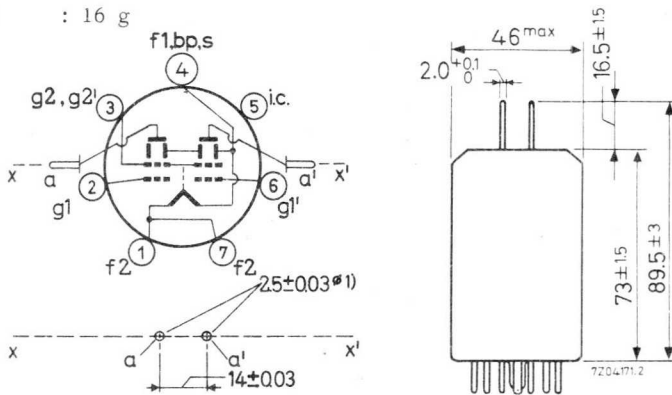
Radiation and convection

Anode connectors providing a high degree of heat transfer by radiation or conduction should be used.

MECHANICAL DATA

Dimensions in mm

Base	:	Septar
Socket	:	2422 513 00001
Anode connector	:	40623
Net weight	:	16 g



Mounting position: any

Contacts 1 and 7 should be strapped together externally to reduce the effective contact resistance.

1) Location of anode pins within these circles.

R.F. CLASS C TELEGRAPHY OR F.M. TELEPHONY

LIMITING VALUES (Each system; absolute limits)

Frequency	f	up to	200	500	MHz
Anode voltage	V_a	= max.	750	500	V
Anode input power	W_{ia}	= max.	72	48	W
Anode dissipation	W_a	= max.	20	20	W
Grid No.2 voltage	V_{g2}	= max.	300	300	V
Grid No.2 dissipation	W_{g2}	= max.	3.5	3.5	W
Negative grid No.1 voltage	$-V_{g1}$	= max.	100	100	V
Grid No.1 current	I_{g1}	= max.	5.0	5.0	mA
Grid No.1 dissipation	W_{g1}	= max.	1.0	1.0	W
Grid No.1 circuit resistance					
with fixed bias	R_{g1}	= max.	50	50	k Ω
with automatic bias	R_{g1}	= max.	100	100	k Ω
Cathode current	I_k	= max.	120	120	mA

OPERATING CONDITIONS; two systems in push-pull

Frequency	f	=	CCS		ICAS	MHz
			180	475		
Anode voltage	V_a	=	400	350	600	V
Grid No.2 voltage	V_{g2}	=	250	250	250	V
Grid No.1 voltage	V_{g1}	=	-60	-45	-80	V
Anode current	I_a	=	2x100	2x100	2x100	mA
Grid No.2 current	I_{g2}	=	2x8	2x4.5	2x9	mA
Grid No.1 current	I_{g1}	=	2x3.0	2x2.0	2x3.5	mA
Driving power	W_{dr}	=	3	10	4	W
Anode input power	W_{ia}	=	2x40	2x35	2x60	W
Anode dissipation	W_a	=	2x13.5	2x16	2x17.5	W
Output power	W_o	=	53	38	85	W
Tube efficiency	η	=	66	54	71	%
Output power in the load	W_l	=	45	-	75	W

R.F. CLASS C ANODE AND SCREEN GRID MODULATION

LIMITING VALUES (Each system; absolute limits)

Frequency	f	up to 200	500	MHz
Anode voltage	V_a	= max. 600	400	V
Anode input power	W_{i_a}	= max. 57.5	38.5	W
Anode dissipation	W_a	= max. 14	14	W
Grid No.2 voltage	V_{g_2}	= max. 300	300	V
Grid No.2 dissipation	W_{g_2}	= max. 2.3	2.3	W
Negative grid No.1 voltage	$-V_{g_1}$	= max. 175	175	V
Grid No.1 current	I_{g_1}	= max. 5.0	5.0	mA
Grid No.1 dissipation	W_{g_1}	= max. 1.0	1.0	W
Grid No.1 circuit resistance				
with fixed bias	R_{g_1}	= max. 50	50	k Ω
with automatic bias	R_{g_1}	= max. 100	100	k Ω
Cathode current	I_k	= max. 120	120	mA

OPERATING CONDITIONS; two systems in push-pull

			CCS	ICAS	
Frequency	f	=	180	180	MHz
Anode voltage	V_a	=	400	600	V
Grid No.2 voltage	V_{g_2}	=	250	250	V
Grid No.1 voltage	V_{g_1}	=	-70	-80	V
Anode current	I_a	=	2x75	2x75	mA
Grid No.2 current	I_{g_2}	=	2x9	2x9	mA
Grid No.1 current	I_{g_1}	=	2x2	2x2	mA
Driving power	W_{dr}	=	4	5	W
Anode input power	W_{i_a}	=	2x30	2x45	W
Anode dissipation	W_a	=	2x10.5	2x13	W
Output power	W_o	=	39	64	W
Tube efficiency	η	=	65	71	%
Output power in the load	W_ℓ	=	32	53	W
Modulation depth	m	=	100	100	%
Modulation power	W_{mod}	=	47	47	W
Grid No.2 peak voltage	V_{g_2p}	=	185	185	V

R.F. CLASS C FREQUENCY MULTIPLIER

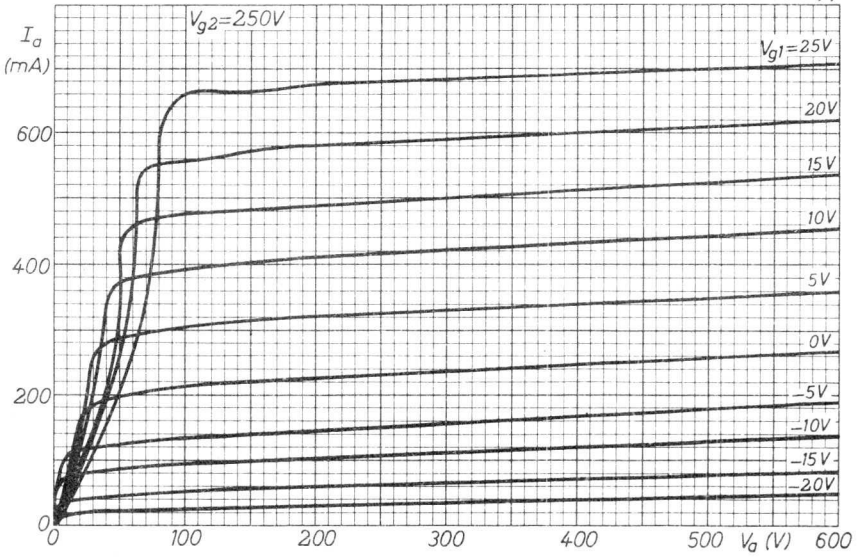
LIMITING VALUES (Each system; absolute limits)

Output frequency	f_{out}	up to	500	MHz
Anode voltage	V_a	=	max. 750	V
Anode input power	W_{ia}	=	max. 60	W
Anode dissipation	W_a	=	max. 20	W
Grid No.2 voltage	V_{g2}	=	max. 300	V
Grid No.2 dissipation	W_{g2}	=	max. 3.5	W
Negative grid No.1 voltage	$-V_{g1}$	=	max. 175	V
Grid No.1 dissipation	W_{g1}	=	max. 1.0	W
Grid No.1 circuit resistance				
with fixed bias	R_{g1}	=	max. 50	k Ω
with automatic bias	R_{g1}	=	max. 100	k Ω
Cathode current	I_k	=	max. 100	mA

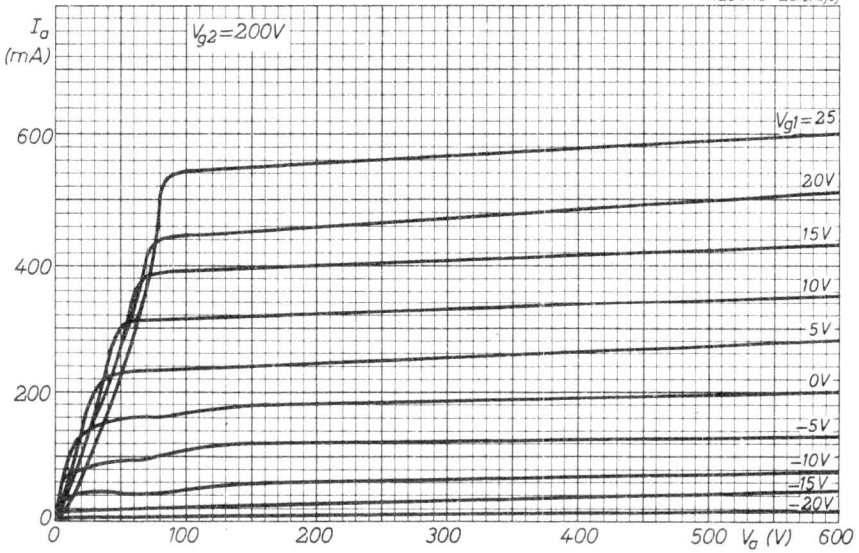
OPERATING CONDITIONS; two systems in push-pull

		=	CCS		ICAS	MHz
			50/150	50/150	157/470	
Frequency	f	=	50/150	50/150	157/470	MHz
Anode voltage	V_a	=	400	500	400	V
Grid No.2 voltage	V_{g2}	=	250	250	250	V
Grid No.1 voltage	V_{g1}	=	-150	-150	-175	V
Peak grid No.1 driving voltage	V_{g1p}	=	360	360	360	V
Anode current	I_a	=	2x72	2x60	2x65	mA
Grid No.2 current	I_{g2}	=	2x8	2x5	2x6	mA
Grid No.1 current	I_{g1}	=	2x2.5	2x3.0	2x2.9	mA
Driving power	W_{dr}	=	9	10	8	W
Anode input power	W_{ia}	=	2x29	2x30	2x26	W
Anode dissipation	W_a	=	2x20	2x20	2x18	W
Output power	W_o	=	18	20	16	W
Tube efficiency	η	=	31	33	31	%
Output power in the load	W_l	=	14.5	16	12	W

7204175-2512.ajcj



7204173-2512.ajcj



R.F. DOUBLE TETRODE

QUICK REFERENCE DATA								
Freq. (MHz)	C teleg.				C_{ag2} mod.			
	C.C.S.		I.C.A.S.		C.C.S.		I.C.A.S.	
	V_a (V)	$W_p^{1)}$ (W)	V_a (V)	$W_p^{1)}$ (W)	V_a (V)	$W_p^{1)}$ (W)	V_a (V)	$W_p^{1)}$ (W)
175	900	132	1000	163	750	85	800	107

HEATING: indirect by A.C. or D.C. Cathode oxide coated

Heater voltage	$V_f = 6.3$ V	12.6 V
Heater current	$I_f = 1.8$ A	0.9 A
Pins	5-(1+7)	1-7

CAPACITANCES (each system, the elements of the other system being earthed)

Anode to all other elements except grid No.1	$C_a = 3.2$ pF
Grid No.1 to all other elements except anode	$C_{g1} = 10.5$ pF
Anode to grid No.1	$C_{ag1} < 0.09$ pF

For internal neutralization (C_n, C_n') please refer to the electrode connections

TYPICAL CHARACTERISTICS (each system)

Anode current	$I_a = 30$ mA
Mutual conductance	$S = 4.5$ mA/V
Amplification factor	$\mu_{g2g1} = 8.2$

¹⁾ Useful power in the load

COOLING: radiation

When the tube is used near its limiting values it may be necessary to direct an air flow on the bulb and the anode seals. In general an air flow of approximately 0.56 m³/min. will be sufficient.

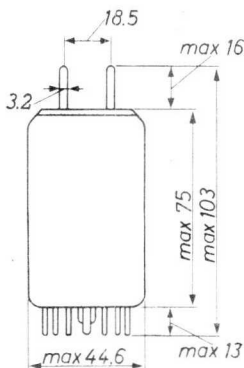
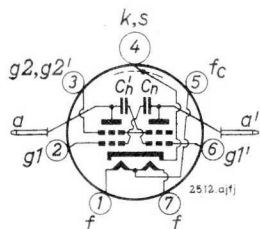
TEMPERATURE LIMITS (Absolute limits)

- Temperature of bulb and anode seals = max. 250 °C
- Temperature of base pin seals = max. 180 °C

MECHANICAL DATA

- Base : Septar
- Socket : 2422 513 00001
- Anode connector: 40681
- Net weight : 71 g

Dimensions in mm



Mounting position: Vertical with base up or down
or horizontal with the anode pins in a horizontal plane

R.F. CLASS C TELEGRAPHY, two systems in push-pull

LIMITING VALUES (continuous service; absolute limits)

C. C. S.

Frequency	f	up to	175	MHz
Anode voltage	V_a	= max.	1000	V
Anode current	I_a	= max.	2x110	mA
Anode dissipation	W_a	= max.	2x30	W
Anode input power	W_{ia}	= max.	2x100	W
Grids No.2 voltage	$V_{g_2, g_2'}$	= max.	300	V
Grids No.2 dissipation	$W_{g_2+g_2'}$	= max.	7	W
Negative grid No.1 voltage	$-V_{g_1}$	= max.	175	V
Grid No.1 current	I_{g_1}	= max.	2x5	mA
Grid No.1 circuit resistance	R_{g_1}	= max.	50	$k\Omega^1)$
Heater to cathode voltage	V_{kf}	= max.	100	V

OPERATING CONDITIONS (continuous service)

C. C. S.

Frequency	f	=	175	175	MHz
Anode voltage	V_a	=	1000	900	V
Grids No.2 voltage	$V_{g_2, g_2'}$	=	230	245	V
Grid No.1 voltage	V_{g_1}	=	-85	-90	V
Common grids No.1 resistor	$R_{g_1, g_1'}$	=	15	15	$k\Omega$
Anode current	I_a	=	2x100	2x110	mA
Grids No.2 current	$I_{g_2+g_2'}$	=	11.2	12.5	mA
Grids No.1 current	$I_{g_1+g_1'}$	=	5.7	5.9	mA
Anode input power	W_{ia}	=	200	198	W
Anode dissipation	W_a	=	2x27	2x25	W
Grids No.2 dissipation	$W_{g_2+g_2'}$	=	2.5	3.0	W
Driver output power	W_{dr}	=	3.5	3.5	W
Output power	W_o	=	146	150	W
Efficiency	η	=	73	75	%
Useful power in the load	W_p	=	125	132	W

¹⁾ Each section

R.F. CLASS C TELEGRAPHY, two systems in push-pull (continued)

LIMITING VALUES (Intermittent service; absolute limits)

I. C. A. S.

Frequency	f	up to	175	MHz
Anode voltage	V_a	= max.	1000	V
Anode current	I_a	= max.	2x120	mA
Anode dissipation	W_a	= max.	2x34	W
Anode input power	W_{ia}	= max.	2x120	W
Grids No.2 voltage	$V_{g_2, g_2'}$	= max.	300	V
Grids No.2 dissipation	$W_{g_2+g_2'}$	= max.	8	W
Negative grid No.1 voltage	$-V_{g_1}$	= max.	175	V
Grid No.1 current	I_{g_1}	= max.	2x5	mA
Grid No.1 circuit resistance	R_{g_1}	= max.	50	$k\Omega^1$
Heater to cathode voltage	V_{kf}	= max.	100	V

OPERATING CONDITIONS (Intermittent service)

I. C. A. S.

Frequency	f	=	175	175	MHz
Anode voltage	V_a	=	1000	900	V
Grids No.2 voltage	$V_{g_2, g_2'}$	=	260	260	V
Grid No.1 voltage	V_{g_1}	=	-85	-85	V
Common grids No.1 resistor	$R_{g_1, g_1'}$	=	15	15	$k\Omega$
Anode current	I_a	=	2x120	2x120	mA
Grids No.2 current	$I_{g_2+g_2'}$	=	16.5	17.0	mA
Grids No.1 current	$I_{g_1+g_1'}$	=	5.7	5.7	mA
Anode input power	W_{ia}	=	240	216	W
Anode dissipation	W_a	=	2x30	2x25	W
Grids No.2 dissipation	$W_{g_2+g_2'}$	=	4.3	4.5	W
Driver output power	W_{dr}	=	3.5	3.5	W
Output power	W_o	=	180	166	W
Efficiency	η	=	75	77	%
Useful power in the load	W_l	=	163	147	W

1) Each section

R.F. CLASS C ANODE AND SCREEN GRID MODULATION, two systems in push-pull

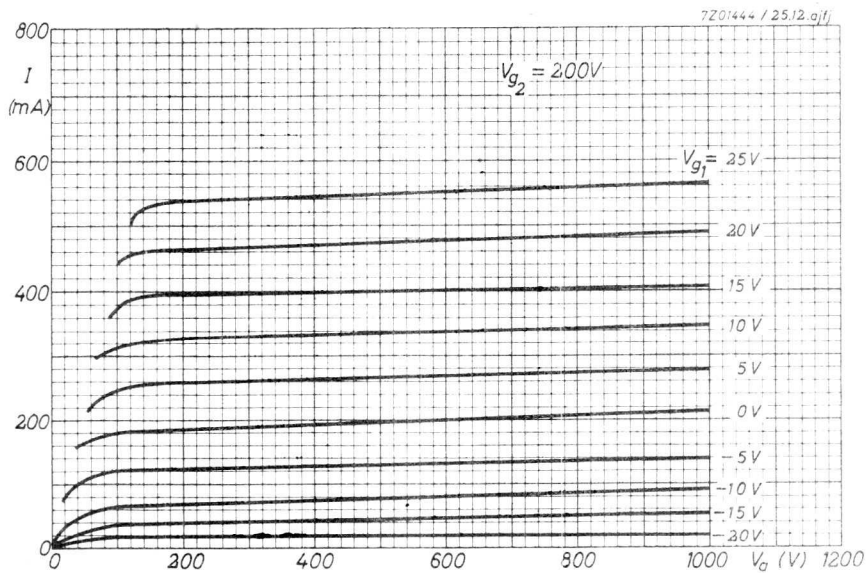
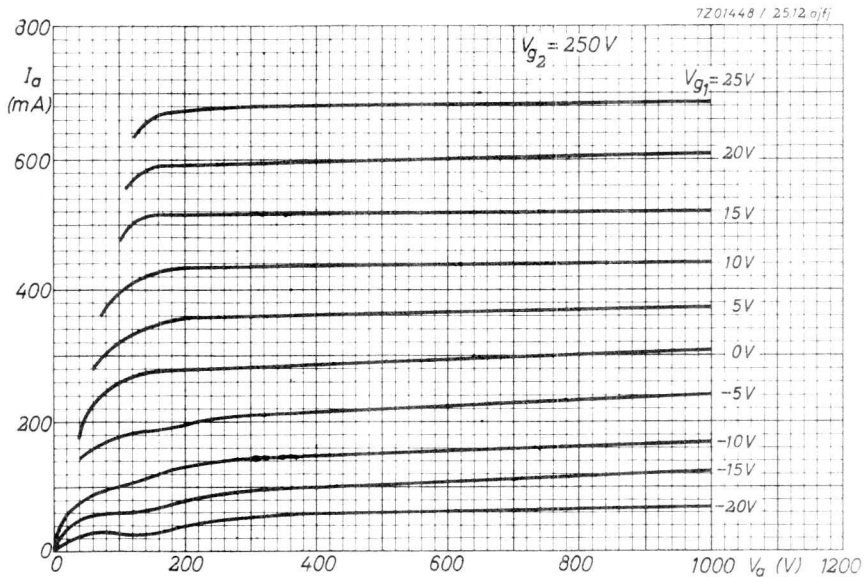
LIMITING VALUES (Absolute limits)

		C. C. S.		I. C. A. S.	
Frequency	f	up to	175	up to	175 MHz
Anode voltage	V_a	= max.	800	max.	800 V
Anode current	I_a	= max.	2x90	max.	2x100 mA
Anode dissipation	W_a	= max.	2x21	max.	2x23.5 W
Anode input power	W_{ia}	= max.	140	max.	160 W
Grids No.2 voltage	$V_{g_2, g_2'}$	= max.	250	max.	250 V
Grids No.2 dissipation	$W_{g_2+g_2'}$	= max.	5.0	max.	5.5 W
Negative grid No.1 voltage	$-V_{g_1}$	= max.	175	max.	175 V
Grid No.1 current	I_{g_1}	= max.	2x5	max.	2x5 mA
Grid No.1 circuit resistance	R_{g_1}	= max.	50	max.	50 $k\Omega$ ¹⁾
Heater to cathode voltage	V_{kf}	= max.	100	max.	100 V

OPERATING CONDITIONS

		C. C. S.		I. C. A. S.	
Frequency	f	=	175		175 MHz
Anode voltage	V_a	=	750		800 V
Grids No.2 voltage	$V_{g_2, g_2'}$	=	250		225 V
Grid No.1 voltage	V_{g_1}	=	-66		-75 V
Common grids No.1 resistor	$R_{g_1, g_1'}$	=	15		15 $k\Omega$
Anode current	I_a	=	2x90		2x100 mA
Grids No.2 current	$I_{g_2+g_2'}$	=	10.2		8.8 mA
Grids No.1 current	$I_{g_1+g_1'}$	=	4.4		5.0 mA
Anode input power	W_{ia}	=	135		160 W
Anode dissipation	W_a	=	2x19		2x21 W
Grids No.2 dissipation	$W_{g_2+g_2'}$	=	2.6		2.0 W
Driver output power	W_{dr}	=	3.4		3.0 W
Output power	W_o	=	97		122 W
Efficiency	η	=	72		74 %
Useful power in the load	W_L	=	85		107 W
Modulation depth	m	=	100		100 %
Peak grids No.2 modulation voltage	$V_{g_2, g_2' p}$	=	90		80 V
Modulation power	W_{mod}	=	68		80 W

¹⁾ Each section



DOUBLE TETRODES

Double tetrodes for use as linear single side band amplifier.

The YL1071 is electrically identical to the YL1070 except for the heater, and has been designed to fit into heatsink cooling equipment.

QUICK REFERENCE DATA				
AB1 linear S.S.B. amplifier, sections in parallel				
Freq. (MHz)	C.C.S.		I.C.A.S.	
	V_a (V)	W_{OPEP} (W)	V_a (V)	W_{OPEP} (W)
7	1000	141	1000	158

HEATING:

Indirect by A.C. or D.C.; parallel supply; oxide coated cathode

	Pins	5-(1+7)	1-7
YL1070: Heater voltage	$V_f =$	6.3	12.6 V
Heater current	$I_f =$	1.8	0.9 A
YL1071: Heater voltage	$V_f =$	13.25	26.5 V
Heater current	$I_f =$	0.866	0.433 A

CAPACITANCES (each section)

Anode to all other elements except grid No.1	$C_a =$	3.15 pF
Grid No.1 to all other elements except anode	$C_{g1} =$	10.6 pF
Anode to grid No.1	$C_{ag1} <$	0.09 pF

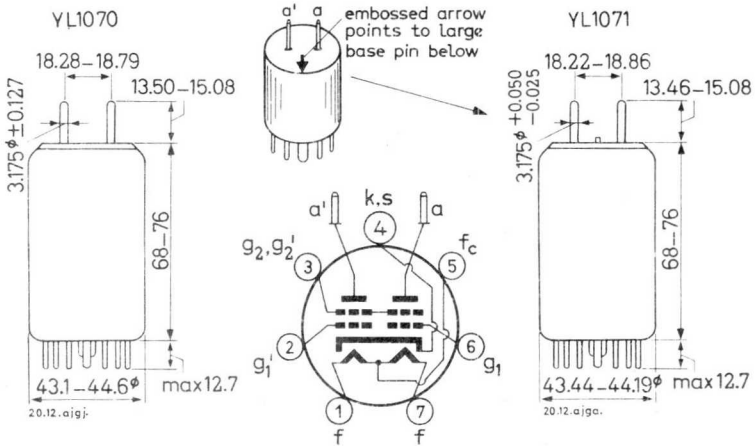
YL 1070
YL 1071

TYPICAL CHARACTERISTICS (each section)

Anode voltage	V_a	=	600	V
Grid No.2 voltage	V_{g_2}	=	250	V
Anode current	I_a	=	40	mA
Amplification factor of grid No.2 with respect to grid No.1	$\mu_{g_2g_1}$	=	7	

MECHANICAL DATA

Dimensions in mm



- Base: Septar
- Accessories: Anode connector 40631
Socket 2422 513 00001
- Mounting position: Vertical with base up or down
Horizontal with anode pins in a horizontal plane
- Net weight: 70 g

COOLING: Radiation and convection

When the tube is used at maximum permissible values it may be necessary to direct an air flow of approx. 0.6 m³/min to the bulb and to the anode seals. The YL1071 has a calibrated bulb held to close tolerances. This permits an accurate fit into heatsink cooling equipment.

7Z2 8844

TEMPERATURE LIMITS (Absolute limits)

Temperature of bulb and all seals max. 250 °C

R.F. CLASS C TELEGRAPHY AND F.M. TELEPHONY

LIMITING VALUES (Absolute limits) (each section)

Frequency	f	up to 60	up to 175	MHz
Anode voltage	V_a	= max. 850	max. 750	V
Anode input power	W_{ia}	= max. 90	max. 75	W
Anode dissipation	W_a	= max. 30	max. 30	W
Anode current	I_a	= max. 110	max. 110	mA
Grid No.2 voltage	V_{g2}	= max. 300	max. 300	V
Grid No.2 dissipation	W_{g2}	= max. 7	max. 7	W
Negative grid No.1 voltage	$-V_{g1}$	= max. 175	max. 175	V
Grid No.1 current	I_{g1}	= max. 5	max. 5	mA
Cathode to heater voltage	V_{kf}	= max. 100	max. 100	V

R. F. CLASS AB1 LINEAR S. S. B. AMPLIFIER suppressed carrier

LIMITING VALUES (Absolute limits) (each section)

Frequency	f	up to 60		MHz
		C.C.S.	I.C.A.S.	
Anode voltage	V_a	= max. 1000	max. 1000	V
Anode input power	W_{ia}	= max. 100	max. 110	W
Anode dissipation	W_a	= max. 30	max. 34	W
Anode current	I_a	= max. 110	max. 110	mA
Grid No.2 voltage	V_{g2}	= max. 360	max. 360	V
Grid No.2 dissipation	W_{g2}	= max. 3.5	max. 4	W
Negative grid No.1 voltage	$-V_{g1}$	= max. 175	max. 175	V
Grid No.1 current	I_{g1}	= max. 5	max. 5	mA
Cathode to heater voltage	V_{kf}	= max. 100	max. 100	V

7Z2 2885

OPERATING CONDITIONS (two sections in parallel)

Table A		C.C.S.		
Frequency	f	=	7	MHz
Anode voltage	V_a	=	1000	V
Grid No.2 voltage	V_{g_2}	=	250	V
Grid No.1 voltage	V_{g_1}	=	-34	V ¹⁾
Load resistance	$R_{a\sim}$	=	3100	Ω
			<div style="border-top: 1px solid black; width: 100%; margin: 0 auto;"></div> zero signal single tone two tone	
Peak grid No.1 driving voltage	$V_{g_{1\sim p}}$	=	0	34 V
Anode current	$I_{a+a'}$	=	50	131 mA
Grid No.2 current	$I_{g_2+g_2'}$	=	1.2	11.5 mA
Grid No.1 current	$I_{g_1+g_1'}$	=	0	0.01 mA
Anode input power	$W_{i_{a+a'}}$	=	50	131 W
Anode dissipation	$W_{a+a'}$	=	50	61 W
Output power	W_o	=	-	141 ²⁾ W
Intermodulation distortion				
of the third order	d_{i_3}	=	-	< -30 dB ³⁾
of the fifth order	d_{i_5}	=	-	< -45 dB ³⁾

1) Adjust to obtain the stated zero signal anode current.

2) Peak envelope power value.

3) Distortion level, referred to the amplitude of either of the tones, at full drive; also highest distortion encountered at any driving level up to full drive.

OPERATING CONDITIONS (two sections in parallel) (continued)

Table B

Frequency	f	=	7	MHz	
Anode voltage	V _a	=	800	V	
Grid No.2 voltage	V _{g2}	=	250	V	
Grid No.1 voltage	V _{g1}	=	-34	V ¹⁾	
Load resistance	R _a	=	2300		Ω
			zero signal	single tone	two tone
Peak grid No.1 driving voltage	V _{g1~p}	=	0	34	34 V
Anode current	I _{a+a'}	=	50	197	130 mA
Grid No.2 current	I _{g2+g2'}	=	1.2	26	12.5 mA
Grid No.1 current	I _{g1+g1'}	=	0	0.01	0 mA
Anode input power	W _{ia+a'}	=	40	158	104 W
Anode dissipation	W _{a+a'}	=	40	46	43 W
Output power	W _o	=	-	112	112 ²⁾ W
Intermodulation distortion					
of the third order	d _{i3}	=	-	-	< -30 dB ³⁾
of the fifth order	d _{i5}	=	-	-	< -45 dB ³⁾

¹⁾ Adjust to obtain the stated zero signal anode current.

²⁾ Peak envelope power value

³⁾ Distortion level, referred to the amplitude of either of the tones, at full drive; also highest distortion encountered at any driving level up to full drive.

OPERATING CONDITIONS (two sections in parallel) (continued)

Table C		C. C. S.			
Frequency	f	=	7		MHz
Anode voltage	V_a	=	600		V
Grid No.2 voltage	V_{g_2}	=	250		V
Grid No.1 voltage	V_{g_1}	=	-32.5		V ¹⁾
Load resistance	R_a	=	1410		Ω
			zero signal	single tone	two tone
Peak grid No.1 driving voltage	$V_{g_{1-p}}$	=	0	32.5	32.5 V
Anode current	$I_{a+a'}$	=	60	212	144 mA
Grid No.2 current	$I_{g_2+g_2'}$	=	1.9	25	13.5 mA
Grid No.1 current	$I_{g_1+g_1'}$	=	0	0.01	0 mA
Anode input power	$W_{i_{a+a'}}$	=	36	127	86 W
Anode dissipation	$W_{a+a'}$	=	36	88	48 W
Output power	W_o	=	-	76	76 ²⁾ W
Intermodulation distortion					
of the third order	d_{i_3}	=	-	-	< -30 dB ³⁾
of the fifth order	d_{i_5}	=	-	-	< -45 dB ³⁾

¹⁾ Adjust to obtain the stated zero signal anode current.

²⁾ Peak envelope power value.

³⁾ Distortion level, referred to the amplitude of either of the tones, at full drive; also highest distortion encountered at any driving level up to full drive.

OPERATING CONDITIONS (two sections in parallel) (continued)

Table D

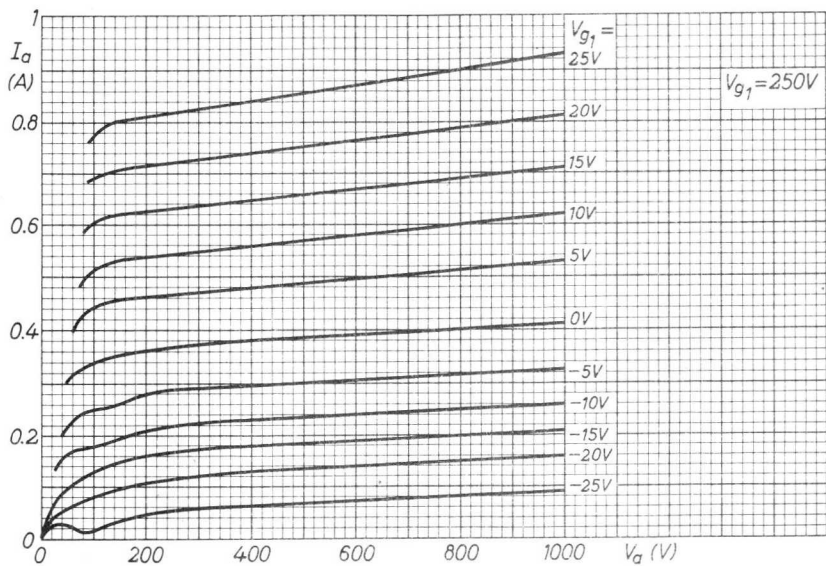
I. C. A. S.

			zero signal	single tone	two tone	
Frequency	f	=		7		MHz
Anode voltage	V_a	=		1000		V
Grid No.2 voltage	V_{g_2}	=		250		V
Grid No.1 voltage	V_{g_1}	=		-36		V ¹⁾
Load resistance	R_a	=		3000		Ω
Peak grid No.1 driving voltage	$V_{g_{1\sim p}}$	=	0	36	36	V
Anode current	$I_{a+a'}$	=	55	216	144	mA
Grid No.2 current	$I_{g_2+g_2'}$	=	1	25	13	mA
Grid No.1 current	$I_{g_1+g_1'}$	=	0	0.05	0.02	mA
Anode input power	$W_{ia+a'}$	=	55	216	144	W
Anode dissipation	$W_{a+a'}$	=	55	58	65	W
Output power	W_o	=	-	158	158 ²⁾	W
Intermodulation distortion						
of the third order	d_{i_3}	=	-	-	< -30	dB ³⁾
of the fifth order	d_{i_5}	=	-	-	< -45	dB ³⁾

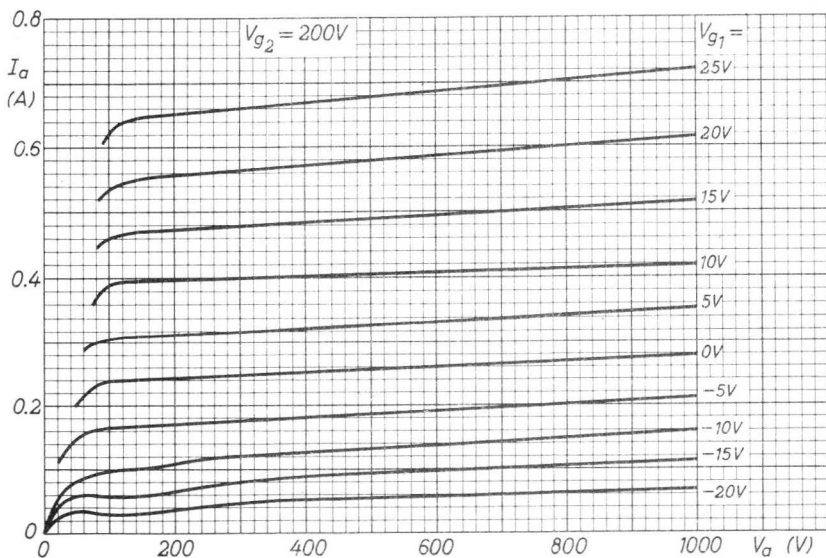
¹⁾ Adjust to obtain the stated zero signal anode current.

²⁾ Peak envelope power value.

³⁾ Distortion level, referred to the amplitude of either of the tones, at full drive; also highest distortion encountered at any driving level up to full drive.



7202719-25,12 of 91



25,12 of 91 - 7202720

QUICK HEATING R.F. DOUBLE TETRODE

Quick heating double tetrode intended for use in mobile equipment as R.F. amplifier or frequency multiplier up to 200 MHz or as modulator.

QUICK REFERENCE DATA									
Freq. (MHz)	R.F. class C telegraphy			R.F. class C a-g ₂ modulator			R.F. class C freq. multiplier		
	V _a (V)	W _{dr} ¹⁾ (W)	W _ℓ ²⁾ (W)	V _a (V)	W _{dr} ¹⁾ (W)	W _ℓ ²⁾ (W)	V _a (V)	W _{dr} ¹⁾ (W)	W _ℓ ²⁾ (W)
200	300	1	12	200	1	7			
67/200							300	1	3, 5

HEATING: direct by a.c. or d.c.; parallel or series supply
Oxide coated filament, harp type.

Frequency of the filament supply:

for sinusoidal supply voltage 50 to 60 Hz

for square wave supply voltage
(e.g. from a d.c.-a.c. converter) any

Sinusoidal supply voltages within the frequency range from 200 to 5000 Hz shall not be used.

Filament voltage V_f 1,6 V ± 15%³⁾

Filament current I_f 2,5 A

Heating time for $W_o = 70\%$ of full output power $T_h < 0,5$ s

COOLING: radiation and convection

The use of a closed tube shield is not recommended.

¹⁾ Driver output power

²⁾ Useful power in the load

³⁾ Total permissible variation due to variations of supply voltage and setting of V_f .

CAPACITANCES

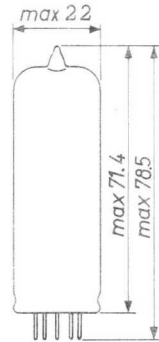
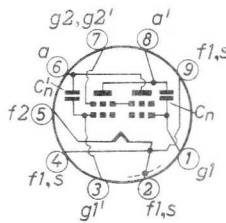
Anode to all other elements except grid No. 1	$C_a = C_{a'} = 3.1 \text{ pF}$
Grid No. 1 to all other elements except anode	$C_{g_1} = C_{g_1'} = 7.5 \text{ pF}$
Anode to grid No. 1	$C_{ag_1} = C_{a'g_1'} < 0.1 \text{ pF}$
Anode of one system to grid No. 1 of the other system	$C_{ag_1'} = C_{a'g_1} < 0.1 \text{ pF}$
Between the grids No. 1	$C_{g_1g_1'} = 2 \text{ pF}$
Between the anodes	$C_{aa'} = 0.06 \text{ pF}$
The tube is internally neutralised up to 200 MHz	

TYPICAL CHARACTERISTICS

Anode voltage	$V_a = 200 \text{ V}$
Grid No. 2 voltage	$V_{g_2} = 200 \text{ V}$
Anode current	$I_a = 30 \text{ mA}$
Amplification factor	$\mu_{g_2g_1} = 7$
Mutual conductance	$S = 3.3 \text{ mA/V}$

MECHANICAL DATA (Dimensions in mm)

Base	: Noval
Socket	: 2422 502 01003
Tube retainer	: 40647
Net weight	: 16 g



Mounting position: any. If the tube is mounted with its main axis deviating from the vertical, it is recommended that pins 2 and 7 be in a vertical plane.

TEMPERATURE LIMITS (Absolute limits)

Bulb temperature	= max. 250 °C
Pin temperature	= max. 120 °C

R.F. CLASS C TELEGRAPHY OR F.M. TELEPHONY

LIMITING VALUES (each system; absolute limits)

Frequency	f	up to	200	MHz
Anode voltage	V_a	= max.	300	V
Anode current	I_a	= max.	45	mA
Anode dissipation	W_a	= max.	5	W
Grid No. 2 voltage	V_{g_2}	= max.	200	V
Grid No. 2 dissipation	W_{g_2}	= max.	1	W
Negative grid No. 1 voltage	$-V_{g_1}$	= max.	150	V
Grid No. 1 current	I_{g_1}	= max.	3	mA
Grid No. 1 dissipation	W_{g_1}	= max.	0.2	W
Grid No. 1 circuit resistance	R_{g_1}	= max.	100	k Ω
Cathode current	I_k	= max.	50	mA
Peak cathode current	I_{k_p}	= max.	225	mA

OPERATING CONDITIONS, two systems in push-pull

Frequency	f	=	200	200	200	MHz
Anode voltage	V_a	=	300	250	200	V
Grid No. 2 supply voltage	V_{bg_2}	=	300	250	200	V
Grid No. 2 resistor	R_{g_2}	=	56	47	22	k Ω
Grid No. 1 voltage	V_{g_1}	=	-40	-	-	V
Common grid No. 1 resistor	R_{g_1}	=	-	18	15	k Ω
Peak grid-to-grid A.C. voltage	$V_{g_1g_1'p}$	=	110	110	115	V
Anode current	I_a	=	2 x 37.5	2 x 33.5	2 x 35	mA
Grid No. 2 current	$I_{g_2+g_2'}$	=	2.3	1.8	2.2	mA
Grid No. 1 current	$I_{g_1+g_1'}$	=	2 x 0.9	2.2	2.7	mA
Grid No. 2 dissipation	$W_{g_2+g_2'}$	=	0.4	0.3	0.33	W
Driver output power	W_{dr}	=	1.0	1.0	1.0	W
Anode input power	W_{i_a}	=	2 x 11.3	2 x 8.4	2 x 7.0	W
Anode dissipation	W_a	=	2 x 4.0	2 x 2.9	2 x 2.8	W
Tube efficiency	η	=	65	65	60	%
Output power in the load	W_l	=	12	9.0	7.4	W

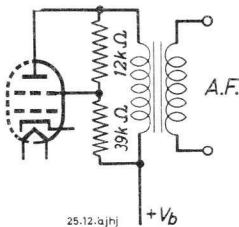
R.F. CLASS C ANODE AND SCREEN GRID MODULATION

LIMITING VALUES (each system; absolute limits)

Frequency	f	up to	200 MHz
Anode voltage	V_a	= max.	240 V
Anode current	I_a	= max.	37.5 mA
Anode input power	W_{i_a}	= max.	7.5 W
Anode dissipation	W_a	= max.	3.3 W
Grid No. 2 voltage	V_{g_2}	= max.	200 V
Grid No. 2 dissipation	W_{g_2}	= max.	0.65 W
Negative grid No. 1 voltage	$-V_{g_1}$	= max.	150 V
Grid No. 1 current	I_{g_1}	= max.	3 mA
Grid No. 1 dissipation	W_{g_1}	= max.	0.2 W
Cathode current	I_k	= max.	40 mA
Peak cathode current	I_{k_p}	= max.	180 mA

OPERATING CONDITIONS, two systems in push-pull

Frequency	f	=	200 MHz
Anode voltage	V_a	=	200 V
Grid No. 2 supply voltage (see fig. below)	V_{bg_2}	=	200 V
Common grid No. 1 resistor	R_{g_1}	=	33 k Ω
Peak grid-to-grid A.C. voltage	$V_{g_1g_1'p}$	=	130 V
Anode current	I_a	=	2 x 33.5 mA
Grid No. 2 current	$I_{g_2+g_2'}$	=	2.6 mA
Grid No. 1 current	$I_{g_1+g_1'}$	=	1.5 mA
Grid No. 2 dissipation	W_{g_2}	=	0.46 W
Driver output power	W_{dr}	=	1.0 W
Anode input power	W_{i_a}	=	2 x 6.7 W
Anode dissipation	W_a	=	2 x 2.65 W
Tube efficiency	η	=	60 %
Useful power in the load	W_l	=	7.0 W
Modulation depth	m	=	100 %
Modulation power	W_{mod}	=	6.7 W



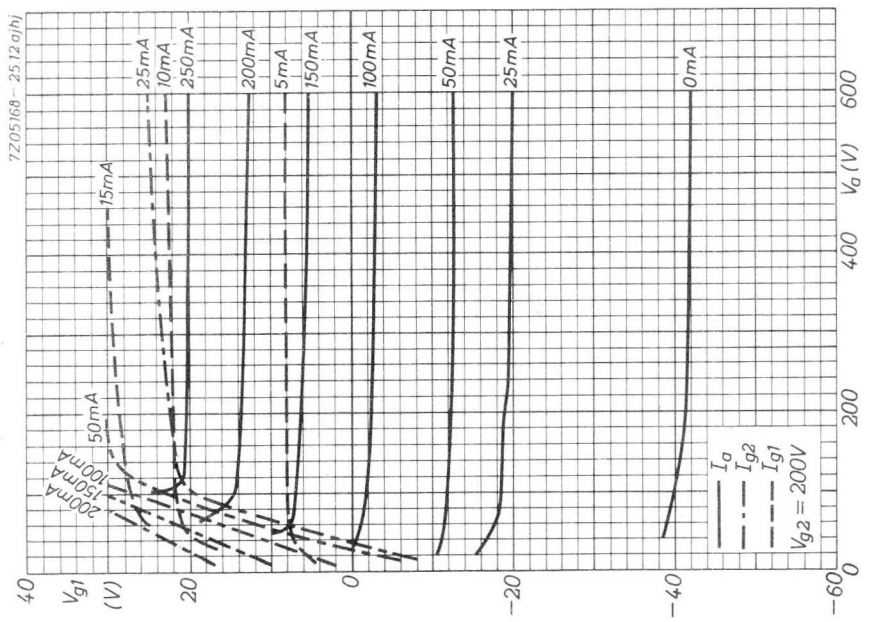
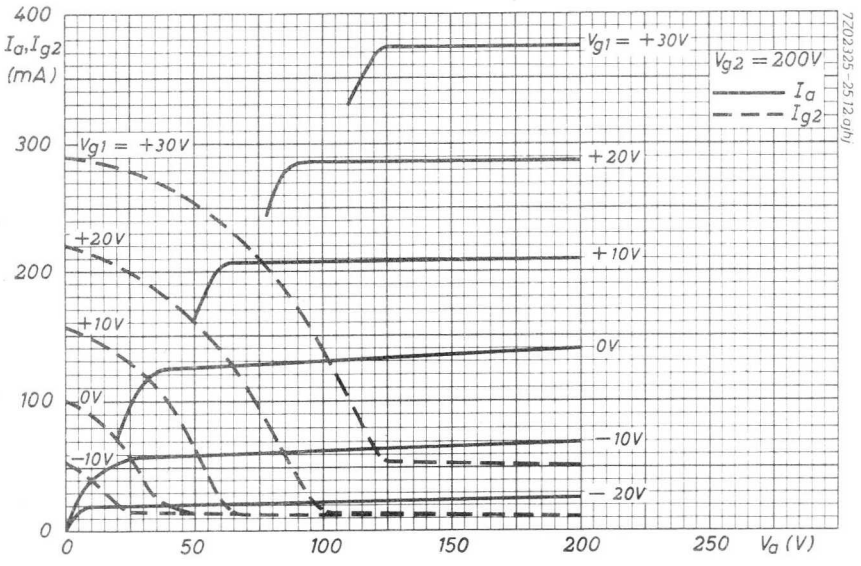
R.F. CLASS C FREQUENCY TRIPLER

LIMITING VALUES (each system; absolute limits)

Frequency	f	up to	200	MHz
Anode voltage	V_a	= max.	300	V
Anode current	I_a	= max.	30	mA
Anode dissipation	W_a	= max.	5	W
Grid No. 2 voltage	V_{g_2}	= max.	200	V
Grid No. 2 dissipation	W_{g_2}	= max.	1	W
Negative grid No. 1 voltage	$-V_{g_1}$	= max.	150	V
Grid No. 1 current	I_{g_1}	= max.	2	mA
Grid No. 1 dissipation	W_{g_1}	= max.	0.2	W
Grid No. 1 circuit resistance	R_{g_1}	= max.	100	k Ω
Cathode current	I_k	= max.	35	mA
Peak cathode current	I_{k_p}	= max.	225	mA

OPERATING CONDITIONS, two systems in push-pull

Frequency	f	=	67/200	67/200	67/200	MHz
Anode voltage	V_a	=	300	250	200	V
Grid No. 2 supply voltage	V_{bg_2}	=	300	250	200	V
Grid No. 2 resistor	R_{g_2}	=	72	47	15	k Ω
Grid No. 1 voltage	V_{g_1}	=	-100	-	-	V
Common grid No. 1 resistor	R_{g_1}	=	-	47	33	k Ω
Peak grid-to-grid A.C. voltage	$V_{g_1g_1'p}$	=	230	230	230	V
Anode current	I_a	=	2 x 24	2 x 25	2 x 28.5	mA
Grid No. 2 current	$I_{g_2+g_2'}$	=	2.0	1.9	3.0	mA
Grid No. 1 current	$I_{g_1+g_1'}$	=	2 x 1.0	2.0	3.2	mA
Grid No. 2 dissipation	$W_{g_2+g_2'}$	=	0.30	0.31	0.46	W
Driver output power	W_{dr}	=	1.0	1.0	2.0	W
Anode input power	W_{i_a}	=	2 x 7.2	2 x 6.25	2 x 5.7	W
Anode dissipation	W_a	=	2 x 4.0	2 x 3.75	2 x 3.8	W
Tube efficiency	η	=	45	40	33.5	%
Output power in the load	W_l	=	3.5	3.0	2.8	W



VAPOUR COOLED R.F. POWER TETRODE

Vapour cooled power tetrode in coaxial construction intended for use as R.F. amplifier in SSB transmitters and as A.M. amplifier.

QUICK REFERENCE DATA

Frequency MHz	S.S.B.		C _{a-g₂} mod.		Class B mod.	
	V _a (kV)	W _o (kW) P. E. P.	V _a (kV)	W _o (kW)	V _a (kV)	W _o (kW)
30	9	120	11	220	11	320

HEATING: Direct, filament thoriated tungsten

Filament voltage	V _f	20 V	←
Filament current	I _f	345 A	←

CAPACITANCES

Anode to all except grid No.1	C _{a(g₁)}	120 pF
Grid No.1 to all except anode	C _{g₁(a)}	600 pF
Anode to grid No.1	C _{ag₁}	8.5 pF ¹⁾

TYPICAL CHARACTERISTICS

Anode voltage	V _a	3 kV
Grid No.2 voltage	V _{g₂}	1 kV
Anode current	I _a	10 A
Transconductance	S	130 mA/V
Amplification factor	μ _{g₂g₁}	4 -

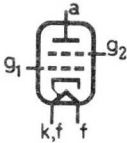
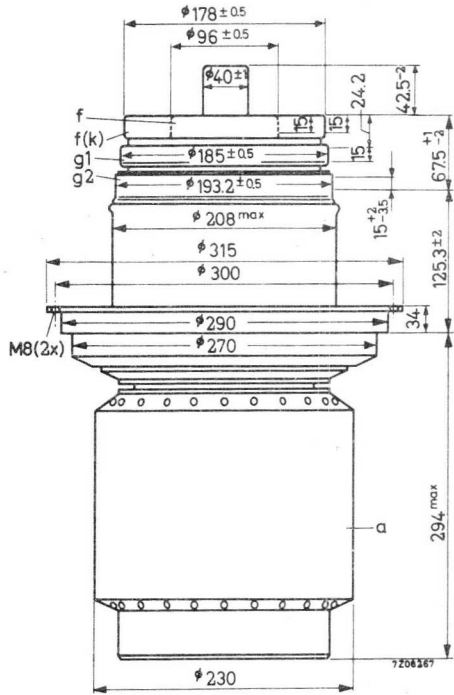
¹⁾ Measured with a flat shield of 500 mm diameter in the plane of grid No.2

MECHANICAL DATA

Dimensions in mm

Net weight: approx. 51 kg

Mounting position: vertical with anode down



ACCESSORIES

- Boiler type K729
- Filament connector (one required) type 40732
- Grid No.1 connector type 40733
- Grid No.2 connector type 40734
- Filament connector with cable (four required) type 40670

R.F. CLASS AB LINEAR AMPLIFIER, SINGLE SIDE BAND, suppressed carrier

LIMITING VALUES (Absolute max. rating system)

Frequency	f	up to	30	MHz
Anode voltage	V_a	max.	15	kV
Grid No.2 voltage	V_{g2}	max.	1.6	kV
Grid No.1 voltage	$-V_{g1}$	max.	800	V
Anode current	I_a	max.	40	A
Grid No.1 current	I_{g1}	max.	3	A
Anode input power	W_{i_a}	max.	360	kW
Anode dissipation	W_a	max.	150	kW
Grid No.2 dissipation	W_{g2}	max.	2.7	kW
Grid No.1 dissipation	W_{g1}	max.	1.2	kW

OPERATING CONDITIONS

Frequency	f	30	MHz
Anode voltage	V_a	9	kV
Grid No.2 voltage	V_{g2}	1.5	kV
Grid No.1 voltage	V_{g1}	-450	V ¹⁾
		zero signal	single tone
Grid No.1 driving voltage	V_{g1p}	0	450
Anode current	I_a	5	21
Grid No.2 current	I_{g2}	0	0.8
Anode input power	W_{i_a}	45	189
Anode dissipation	W_a	45	69
Grid No.2 dissipation	W_{g2}	0	1.2
Output power (P.E.P.)	W_o	-	120

¹⁾ Adjust to give the zero signal anode current.

R.F. CLASS C ANODE AND SCREEN GRID MODULATION (carrier conditions)

LIMITING VALUES (Absolute max. rating system)

Frequency	f	up to	30 MHz
Anode voltage	V_a	max.	11.5 kV
Grid No.2 voltage	V_{g2}	max.	1 kV
Grid No.1 voltage	$-V_{g1}$	max.	800 V
Anode current	I_a	max.	32 A
Grid No.1 current	I_{g1}	max.	3 A
Anode input power	W_{i_a}	max.	300 kW
Anode dissipation	W_a	max.	100 kW
Grid No.2 dissipation	W_{g2}	max.	2.7 kW
Grid No.1 dissipation	W_{g1}	max.	1.2 kW

OPERATING CONDITIONS

Frequency	f	30 MHz
Anode voltage	V_a	11 kV
Grid No.2 voltage	V_{g2}	800 V
Grid No.1 voltage	V_{g1}	-590 V
Grid No.1 resistor	R_{g1}	60 Ω
Grid No.1 driving voltage	V_{g1p}	960 V
Anode current	I_a	25 A
Grid No.2 current	I_{g2}	3 A
Grid No.1 current	I_{g1}	1.6 A
Driving power	W_{dr}	1.4 kW
Grid No.2 dissipation	W_{g2}	2.4 kW
Anode input power	W_{i_a}	275 kW
Output power	W_o	220 kW
Anode dissipation	W_a	55 kW
Efficiency	η	80 %
<hr style="border-top: 1px dashed black;"/>		
Modulation depth	m	100 %
Modulation power	W_{mod}	140 kW
Grid No.2 voltage, peak	V_{g2p}	700 V

A.F. CLASS B AMPLIFIER AND MODULATOR

LIMITING VALUES (Absolute max. rating system)

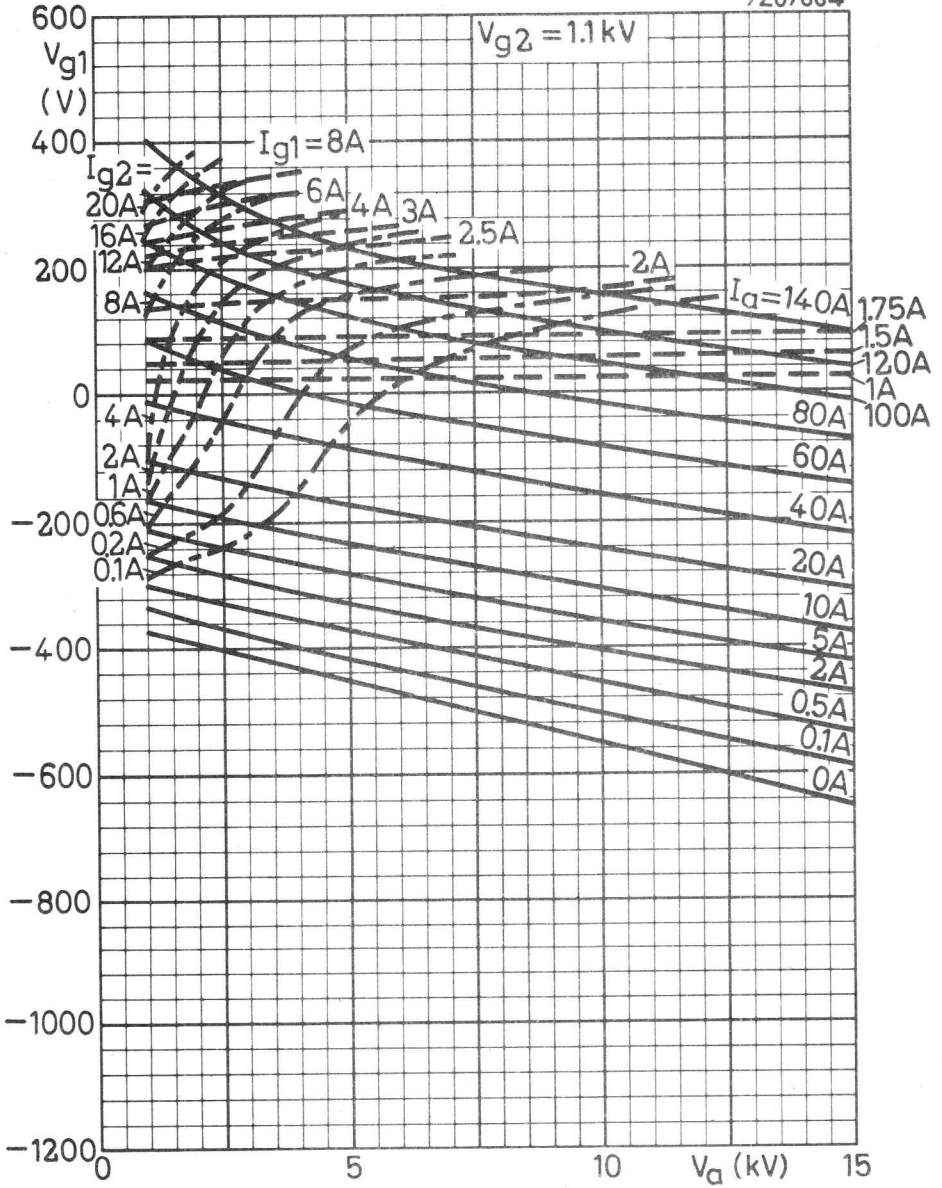
Anode voltage	V_a	max.	12	kV
Anode input power	W_{ia}	max.	300	kW
Anode dissipation	W_a	max.	150	kW
Cathode current	I_k	max.	50	A
Cathode current (peak)	I_{kp}	max.	280	A
Grid No. 2 voltage	V_{g2}	max.	1.7	kV
Grid No. 2 dissipation	W_{g2}	max.	2.7	kW
Grid No. 1 resistance	R_{g1}	max.	1	k Ω
Grid No. 1 dissipation	W_{g1}	max.	1.2	kW

OPERATING CONDITIONS: two tubes in push-pull

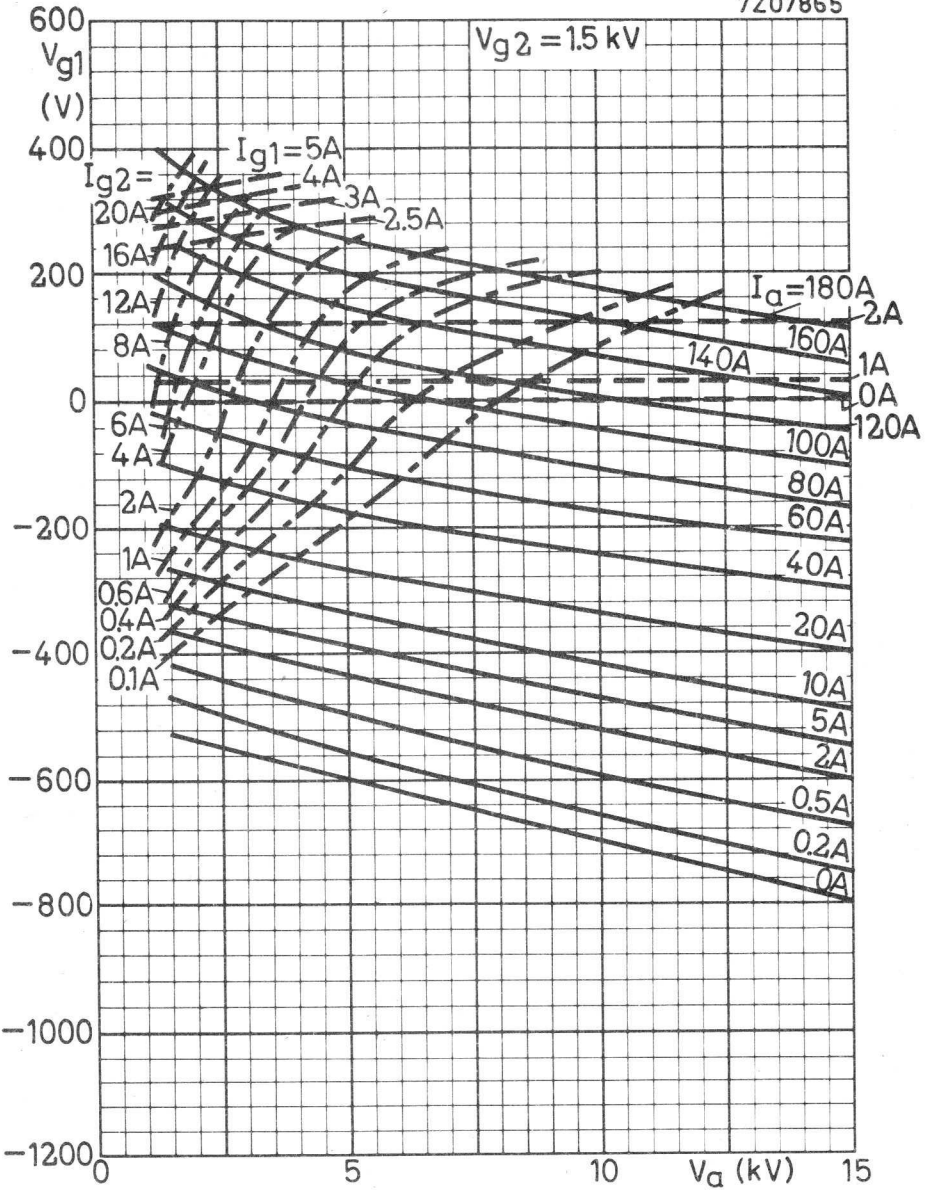
Anode voltage	V_a	11	11	kV		
Grid No. 2 voltage	V_{g2}	1.5	1.5	kV		
Grid No. 1 voltage	V_{g1}	-520	-520	V		
Load resistance	R_{aa}	500	670	Ω		
Peak driving voltage	V_{g1g1p}	0	1100	0	950	V
Anode current	I_a	2x3	2x22	2x3	2x16.5	A
Grid No. 2 current	I_{g2}	0	2x0.45	0	2x0.35	A
Grid No. 1 current	I_{g1}	0	2x0.04	0	0	A
Grid No. 2 dissipation	W_{g2}	0	2x680	0	2x530	W
Anode input power	W_{ia}	2x33	2x242	2x33	2x182	kW
Anode dissipation	W_a	2x33	2x82	2x33	2x62	kW
Output power	W_o	0	320	0	240	kW
Efficiency	η		66		66	%



7Z07864



7Z07865



COAXIAL BEAM POWER TETRODES

Beam power tetrodes with ceramic-to-metal seals and coaxial arrangement of the terminals. The tubes are intended for use as R.F. power amplifier, oscillator and frequency multiplier, and as A.F. amplifier and modulator in A.M., F.M. and S.S.B. transmitters for frequencies up to 2000 MHz.

QUICK REFERENCE DATA

Frequency (MHz)	C teleg.		C ag ₂ mod.		S.S.B.	
	V _a (V)	W _o (W)	V _a (V)	W _o (W)	V _a (V)	W _o (W) ¹⁾
1200	900	40				
400	900	80	700	45		
60					850	40

COOLING

Forced air cooling of radiator and seals.

HEATING : indirect by a.c. or d.c.; oxide coated cathode.

YL1100

Heater voltage	V _f	26,5	V
Heater current	I _f	0,52	A
Heating time	T _h min.	60	s

YL1101

Heater voltage	V _f	6,3	V
Heater current	I _f	2,1	A
Heating time	T _h min.	60	s

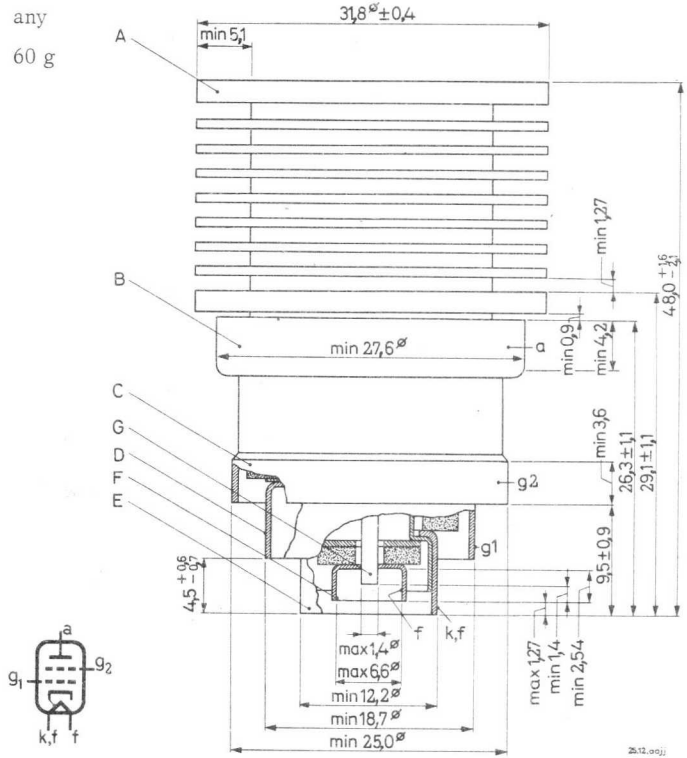
The heater voltage must be reduced dependent on the operating conditions and the frequency.

¹⁾ single tone operation

MECHANICAL DATA

Dimensions in mm

Mounting position : any
Net weight : 60 g



Radiator and terminals lie inside or outside concentric cylinders with the following diameters:

Radiator	:	A	inside	24, 15	mm diameter
Anode terminal	:	B	inside	28, 40	mm diameter
g ₂ terminal	:	C	inside	25, 86	mm diameter
g ₁ terminal	:	D	inside	19, 38	mm diameter
Cathode terminal	:	E	inside	13, 16	mm diameter
Heater terminal	:	F	outside	6, 07	mm diameter
		G	inside	1, 78	mm diameter

CAPACITANCES

Anode to grid no.1	C_{ag1}	< 0,065	pF
Grid no.1 to cathode and heater	$C_{g1/kf}$	14	pF
Anode to cathode and heater	$C_{a/kf}$	< 0,015	pF
Grid no.2 to grid no.1	C_{g1g2}	19	pF
Anode to grid no.2	C_{ag2}	4,4	pF
Grid no.2 to cathode and heater	$C_{g2/kf}$	< 0,4	pF

TYPICAL CHARACTERISTICS

Anode voltage	V_a	1000	V
Grid no.2 voltage	V_{g2}	250	V
Anode current	I_a	100	mA
Amplification factor	μ_{g2g1}	18	

TEMPERATURE LIMITS. (Absolute limits)

Anode seal temperature	t	max. 250	°C
------------------------	---	----------	----

Notes to page 4

1) Fixed supply or supply derived from the anode supply by means of a voltage divider.

2) Power transferred from driving stage included.

R.F. CLASS C TELEGRAPHY or F.M. TELEPHONY

LIMITING VALUES (Absolute max. rating system)

Frequency	f	up to	1200	MHz
Anode voltage	V_a	max.	1000	V
Anode input power	W_{ia}	max.	180	W
Anode dissipation	W_a	max.	115	W
Anode current	I_a	max.	180	mA
Grid no.2 voltage	V_{g2}	max.	300	V
Grid no.2 dissipation	W_{g2}	max.	4,5	W
Grid no.1 voltage, negative	$-V_{g1}$	max.	100	V
Grid no.1 current	I_{g1}	max.	30	mA
Grid no.1 circuit resistance	R_{g1}	max.	30	k Ω

OPERATING CONDITIONS (grid drive)

Frequency	f	400	1200	MHz
Anode voltage	V_a	900	900	V
Grid no.2 voltage	V_{g2}	300	300	V ¹⁾
Grid no.1 voltage	V_{g1}	-30	-22	V
Anode current	I_a	170	170	mA
Grid no.2 current	I_{g2}	1	1	mA
Grid no.1 current	I_{g1}	10	4	mA
Driving power	W_{dr}	3	5	W
Output power in load	W_ℓ	80	40	W

OPERATING CONDITIONS (cathode drive)

Frequency	f	1200	MHz
Anode voltage	V_a	900	V
Grid no.2 voltage	V_{g2}	300	V
Grid no.1 voltage	V_{g1}	-31	V
Anode current	I_a	170	mA
Grid no.2 current	I_{g2}	3,2	mA
Grid no.1 current	I_{g1}	3,4	mA
Driving power	W_{dr}	8	W
Output power in load	W_ℓ	40	W ²⁾

Notes see page 3

R.F. CLASS C ANODE AND SCREEN GRID MODULATION

LIMITING VALUES (Absolute max. rating system)

(Carrier conditions with modulation up to 100%)

Frequency	f	up to	1200	MHz
Anode voltage	V_a	max.	800	V
Anode input power	W_{i_a}	max.	120	W
Anode dissipation	W_a	max.	75	W
Anode current	I_a	max.	150	mA
Grid no.2 voltage	V_{g_2}	max.	300	V
Grid no.2 dissipation	W_{g_2}	max.	3	W
Grid no.1 voltage, negative	$-V_{g_1}$	max.	100	V
Grid no.1 current	I_{g_1}	max.	30	mA
Grid no.1 circuit resistance	R_{g_1}	max.	30	k Ω

OPERATING CONDITIONS

Frequency	f	400	MHz
Anode voltage	V_a	700	V
Grid no.2 voltage	V_{g_2}	250	V
Grid no.1 voltage	V_{g_1}	-50	V
Anode current	I_a	130	mA
Grid no.2 current	I_{g_2}	10	mA
Grid no.1 current	I_{g_1}	10	mA
Driving power	W_{dr}	3	W
Output power in load	W_ℓ	45	W



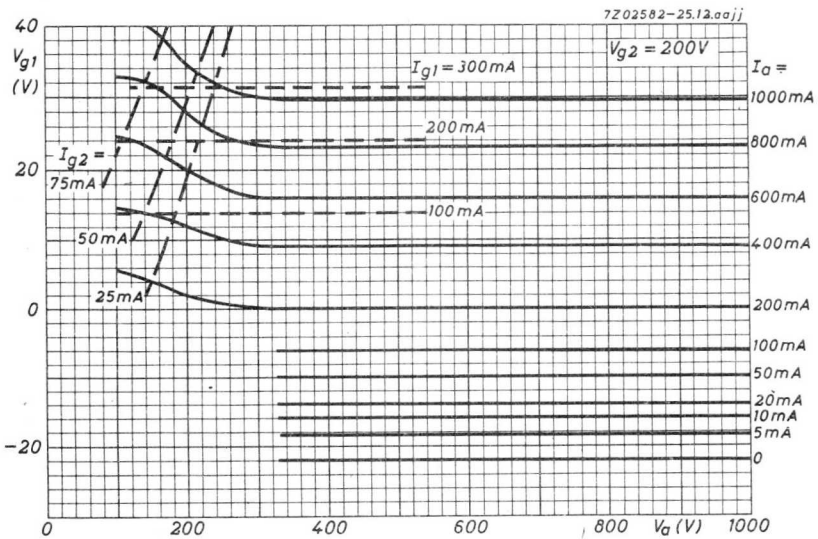
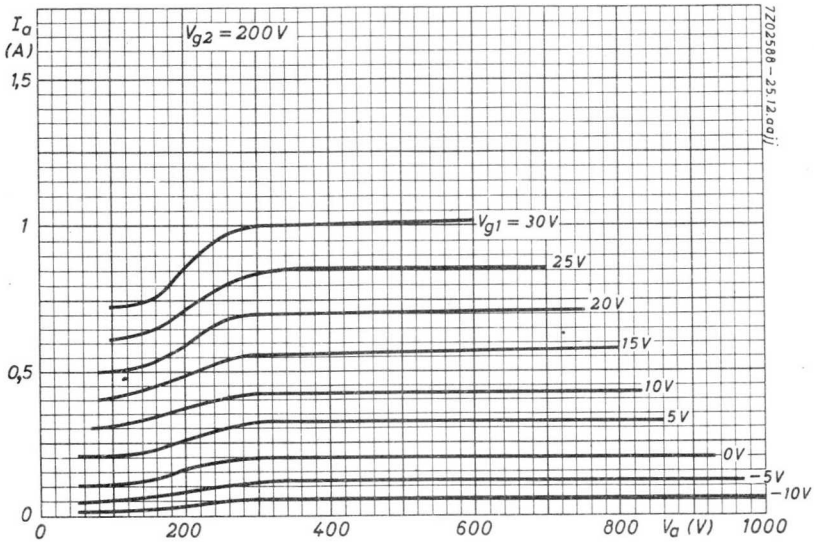
R.F. CLASS AB 1 SINGLE SIDEBAND AMPLIFIER

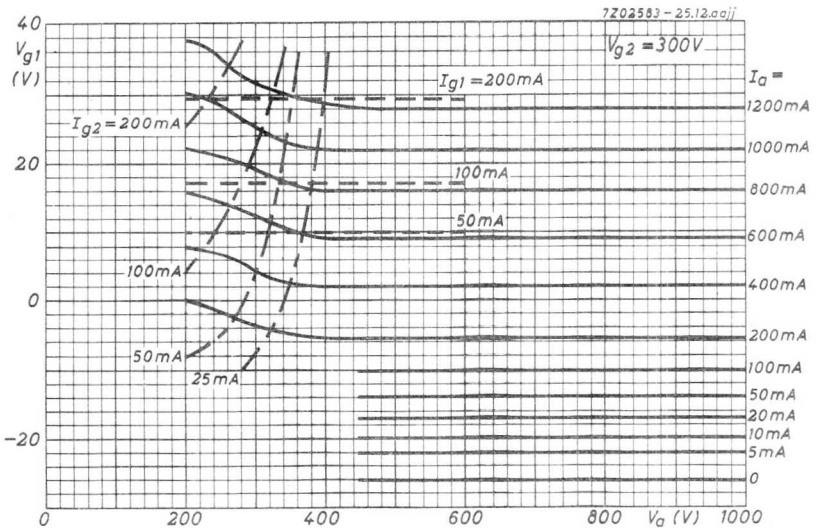
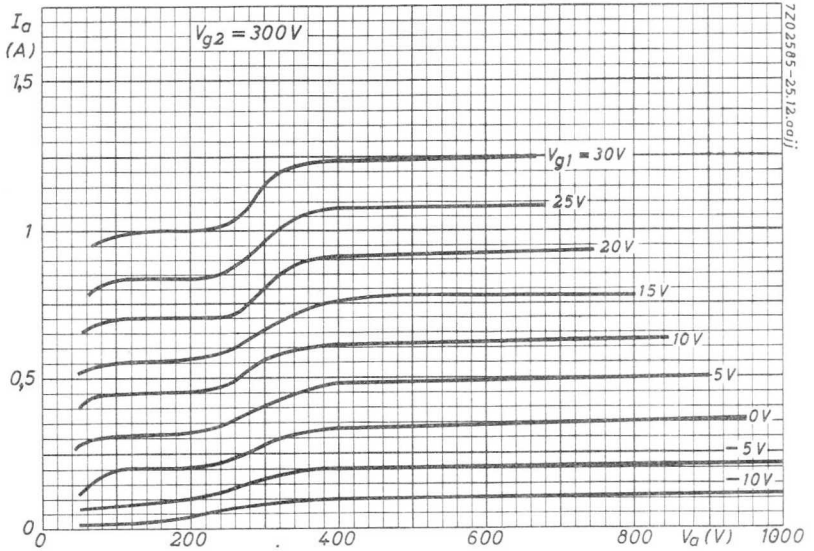
LIMITING VALUES (Absolute max. rating system)

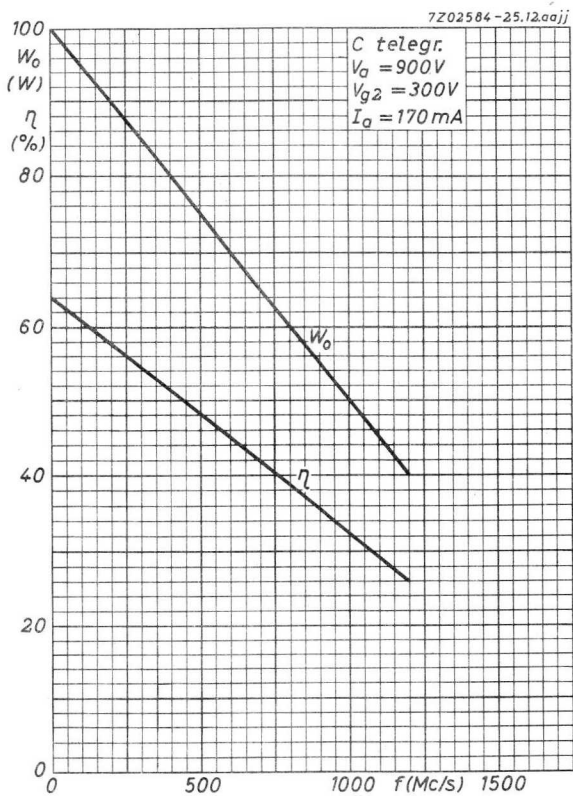
Frequency	f	up to	1200	MHz
Anode voltage	V_a	max.	1000	V
Anode input power	W_{ja}	max.	180	W
Anode dissipation	W_a	max.	115	W
Anode current	I_a	max.	180	mA
Grid no.2 voltage	V_{g2}	max.	300	V
Grid no.2 dissipation	W_{g2}	max.	4,5	W
Grid no.1 voltage, negative	$-V_{g1}$	max.	100	V
Grid no.1 circuit resistance	R_{g1}	max.	30	k Ω

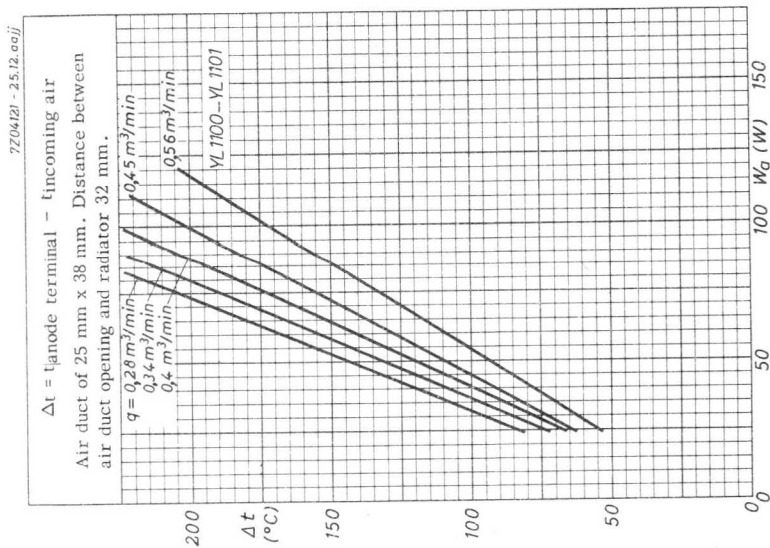
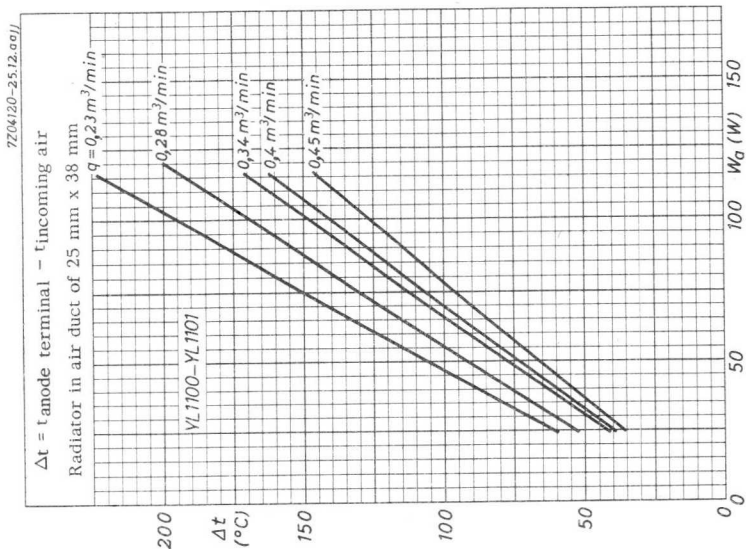
OPERATING CONDITIONS

Frequency	f	60	60	MHz
Anode voltage	V_a	650	850	V
Grid no.2 voltage	V_{g2}	300	300	V
Grid no.1 voltage	V_{g1}	-15	-15	V
		zero signal	double tone	
Driving voltage, peak	V_{g1p}	0	15	V
Anode current	I_a	40	100	mA
Grid no.2 current	I_{g2}	0	10	mA
Grid no.1 current	I_{g1}	0	0	mA
Driving power	W_{dr}	0	0	W
Peak envelope output power	W_{oPEP}	0	25	W









AIR COOLED COAXIAL BEAM POWER TETRODE

Forced air cooled beam power tetrode with integral radiator and coaxial, ceramic insulated terminals. Intended for use as UHF amplifier or oscillator at frequencies up to 1215 MHz.

QUICK REFERENCE DATA					
Frequency (MHz)	Anode voltage	RF class C telegraphy	RF class A linear ampl.	RF class B SSB	RF class C ag ₂ mod.
	V _a (V)	W _{load} (W)	W _{load} (W)	W ₀ PEP (W)	W _{load} (W)
790	2500	590	55	680	600
	1400				
470	2500	730			
400	2000				
30	2500				

HEATING: indirect by A.C. or D.C.; cathode oxide coated, matrix type

Heater voltage $V_f = 6.3 \text{ V} \pm 10\%$

Heater current $I_f = 7.85 \text{ A}$

Heating time $T_h = \text{min. } 120 \text{ sec}$

The heater voltage must be reduced dependent on the operating conditions and the frequency.

CAPACITANCES

Anode to grid No.1 $C_{ag1} < 0.11 \text{ pF}$

Grid No.1 to cathode and heater $C_{g1/kf} = 29 \text{ pF}$

Anode to cathode and heater $C_{a/kf} < 0.011 \text{ pF}$

Grid No.1 to grid No.2 $C_{g1g2} = 37 \text{ pF}$

Grid No.2 to cathode and heater $C_{g2/kf} < 1.1 \text{ pF}$

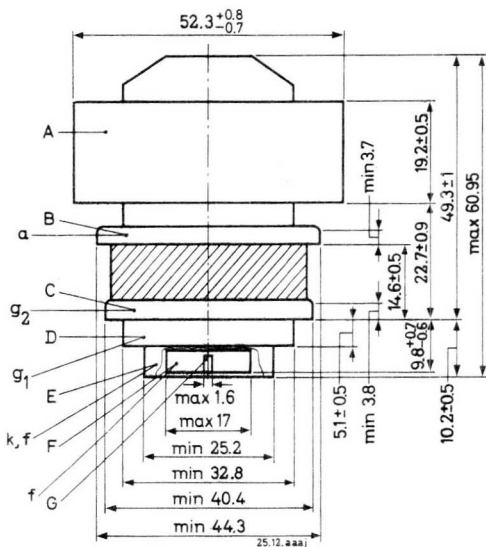
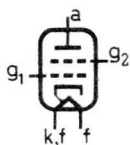
TYPICAL CHARACTERISTICS

Anode voltage	V_a	= 225	2500	V
Grid No.2 voltage	V_{g_2}	= 225	400	V
Anode current	I_a	= 100	240	mA
Amplification factor	$\mu_{g_2g_1}$	= 13	-	
Mutual conductance	S	= -	22	mA/V

MECHANICAL DATA

Dimensions in mm

Net weight: 340 g



Radiator and terminals lie inside or outside concentric cylinders with the following diameters:

Radiator	:	A	inside	53.54	mm diameter
Anode terminal	:	B	inside	45.69	mm diameter
g_2 terminal	:	C	inside	40.87	mm diameter
g_1 terminal	:	D	inside	33.50	mm diameter
Cathode terminal	:	E	inside	25.88	mm diameter
Heater terminal	:	F	outside	15.72	mm diameter
		G	inside	2.51	mm diameter

Mounting position: any

TEMPERATURE LIMITS (Absolute limits)

Anode temperature	=	max. 250 °C
Temperature of all seals	=	max. 250 °C

COOLING CHARACTERISTICS

Forced air cooling of the anode at an air inlet temperature of 25 °C:

Anode dissipation	W_a	=	100	300	600	700	W
Min. required air flow	q_{min}	=	0.06	0.12	0.32	0.46	m ³ /min
Pressure loss	p_i	=	2	4	17	25	mm H ₂ O

A low velocity air flow is required for all electrodes and seals.

R.F. CLASS C TELEGRAPHY**LIMITING VALUES** (Absolute limits)

Frequency	f	up to	1215	MHz
Anode voltage	V_a	=	max. 2500	V
Anode input power	W_{i_a}	=	max. 1250	W
Anode dissipation	W_a	=	max. 700	W
Anode current	I_a	=	max. 500	mA
Grid No.2 voltage	V_{g_2}	=	max. 1200	V
Grid No.2 dissipation	W_{g_2}	=	max. 25	W
Negative grid No.1 voltage	$-V_{g_1}$	=	max. 250	V
Grid No.1 current	I_{g_1}	=	max. 100	mA
Grid No.1 circuit resistance	R_{g_1}	=	max. 15	k Ω

OPERATING CONDITIONS in grounded grid circuit

Frequency	f	=	790	470	MHz
Anode voltage	V_a	=	2500	2500	V
Grid No.2 voltage	V_{g_2}	=	400	400	V
Grid No.1 voltage	V_{g_1}	=	-45	-35	V
Anode current	I_a	=	500	500	mA
Grid No.2 current	I_{g_2}	=	7	8	mA
Grid No.1 current	I_{g_1}	=	10	12	mA
Driving power	W_{dr}	=	60	35	W
Output power in load	W_{load}	=	590	730	W

R.F. CLASS A LINEAR AMPLIFIER, T.V. TRANSLATOR SERVICE, SOUND AND VISION

LIMITING VALUES (Absolute limits)

Frequency	f	up to 1215	MHz
Anode voltage	V_a	= max.	2500 V
Anode input power	W_{ia}	= max.	1250 W
Anode dissipation	W_a	= max.	600 W
Anode current	I_a	= max.	500 mA
Grid No.2 voltage	V_{g2}	= max.	1200 V
Grid No.2 dissipation	W_{g2}	= max.	25 W
Negative grid No.1 voltage	$-V_{g1}$	= max.	250 V
Grid No.1 current	I_{g1}	= max.	100 mA
Grid No.1 circuit resistance	R_{g1}	= max.	15 k Ω

OPERATING CONDITIONS

Frequency	f	=	790	MHz
Bandwidth	B	>	6.5	MHz
Anode voltage	V_a	=	1400	V
Grid No.2 voltage	V_{g2}	=	400	V
Grid No.1 voltage	V_{g1}	=	-30	V
Anode current	I_a	=	400	mA
Grid No.2 current	I_{g2}	=	-10	mA
Driving power	W_{dr}	=	5	W
Output power in load	W_{load}	=	55	W

R.F. CLASS B SINGLE SIDE BAND AMPLIFIER

LIMITING VALUES (Absolute limits)

Frequency	f	up to	1215	MHz
Anode voltage	V_a	= max.	2500	V
Anode input power	W_{ia}	= max.	1250	W
Anode dissipation	W_a	= max.	600	W
Anode current	I_a	= max.	500	mA
Grid No.2 voltage	V_{g2}	= max.	1200	V
Grid No.2 dissipation	W_{g2}	= max.	25	W
Negative grid No.1 voltage	$-V_{g1}$	= max.	250	V
Grid No.1 current	I_{g1}	= max.	100	mA
Grid No.1 circuit resistance	R_{g1}	= max.	15	k Ω

OPERATING CONDITIONS

Frequency	f	=	30	MHz
Anode voltage	V_a	=	2500	V
Grid No.2 voltage	V_{g2}	=	450	V
Grid No.1 voltage	V_{g1}	=	-37	V
			zero signal	double tone signal
Anode current	I_a	=	160	350 mA
Grid No.2 current	I_{g2}	=	0	2.5 mA
Grid No.1 current	I_{g1}	=	0	0 mA
Driving power	W_{dr}	=	0	1 W
Peak envelope power output	W_{oPEP}	=	-	680 W
Intermodulation distortion: of the third order	d_{i3}	=	-	-31 dB
of the fifth order	d_{i5}	=	-	-36 dB

R.F. CLASS C ANODE AND SCREEN GRID MODULATION

LIMITING VALUES (Absolute limits)

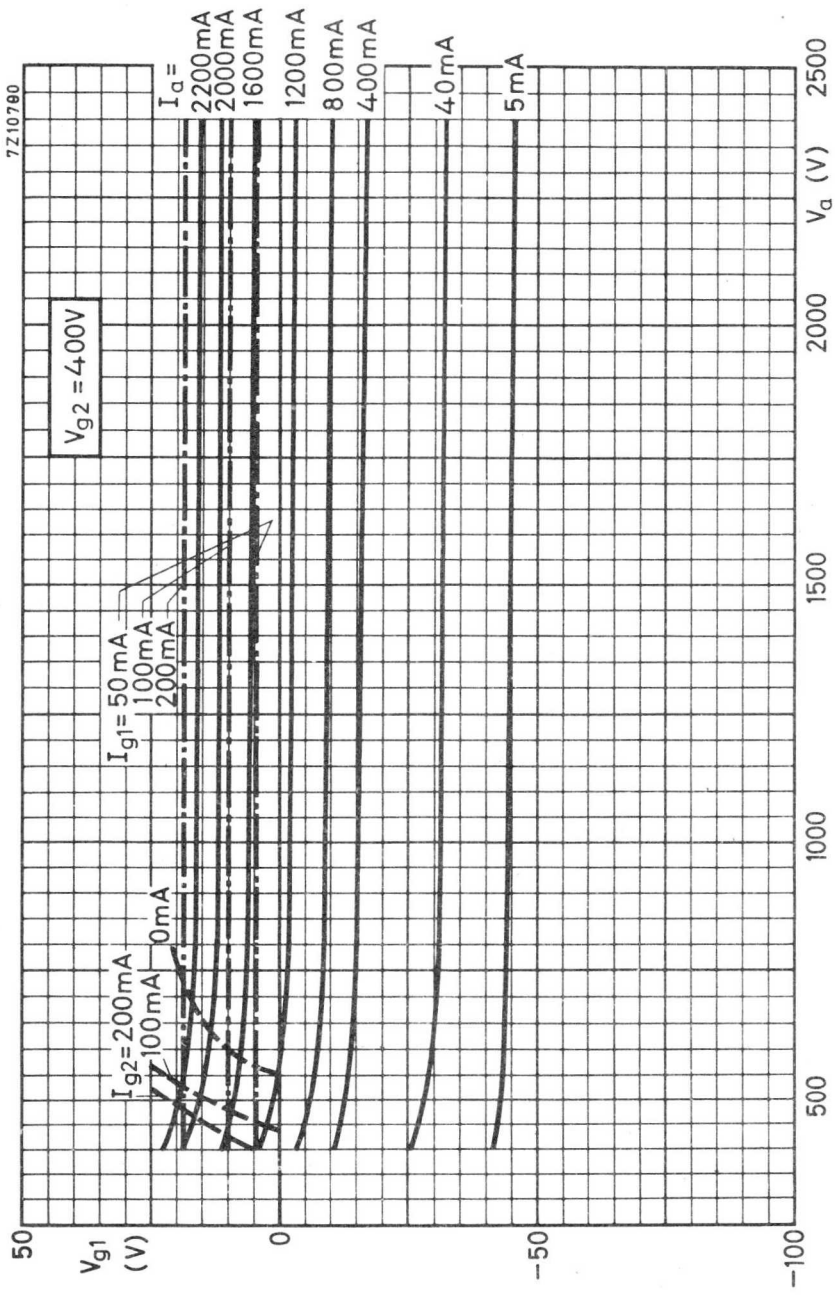
Frequency	f	up to	1215	MHz
Anode voltage	V_a	= max.	2000	V
Anode input power	W_{ia}	= max.	1000	W
Anode dissipation	W_a	= max.	400	W
Anode current	I_a	= max.	500	mA
Grid No.2 voltage	V_{g2}	= max.	1200	V
Grid No.2 dissipation	W_{g2}	= max.	17	W
Negative grid No.1 voltage	$-V_{g1}$	= max.	250	V
Grid No.1 current	I_{g1}	= max.	100	mA
Grid No.1 circuit resistance	R_{g1}	= max.	15	k Ω

OPERATING CONDITIONS (cathode drive)

Frequency	f	=	400	MHz
Anode voltage	V_a	=	2000	V
Grid No.2 voltage	V_{g2}	=	400	V ¹⁾
Grid No.1 voltage	V_{g1}	=	-35	V ²⁾
Anode current	I_a	=	500	mA
Grid No.2 current	I_{g2}	=	8	mA
Grid No.1 current	I_{g1}	=	12	mA
Driving power	W_{dr}	=	35	W
Output power in load	W_{load}	=	600	W

1) Obtained preferably from a separate source, modulated along with the anode supply.

2) Obtained from the grid resistor or from a combination of the grid resistor and either a fixed supply or a cathode resistor.



AIR COOLED COAXIAL R.F. POWER TETRODE

QUICK REFERENCE DATA		
Freq. (MHz)	Class AB1 linear SSB amplifier	
	V_a (V)	$W_{\frac{1}{2}}$ ¹⁾ (kW, PEP)
13	5000	5.1
28	5000	5.1

HEATING: indirect. Cathode oxide-coated

Heater voltage	$V_f = 12.6 \text{ V} \pm 10 \%$
Heater current	$I_f = 14.5 \text{ A}$
Heating time	$T_w = \text{min. } 10 \text{ min.}$

CAPACITANCES

Grid No.1 to all other elements except anode	$C_{g1} = 115 \text{ pF}$
Anode to all other elements except grid No.1	$C_a = 41 \text{ pF}$
Anode to grid No.1	$C_{ag1} = 0.2 \text{ pF}$

TYPICAL CHARACTERISTICS

Anode voltage	$V_a = 5 \text{ kV}$
Grid No.2 voltage	$V_{g2} = 700 \text{ V}$
Anode current	$I_a = 0.7 \text{ A}$
Amplification factor	$\mu_{g2g1} = 3.5$
Mutual conductance	$S = 45 \text{ mA/V}$

¹⁾ Useful power in the load

TEMPERATURE LIMITS (Absolute limits)

Envelope temperature = max. 200 °C
 Air inlet temperature = max. 45 °C

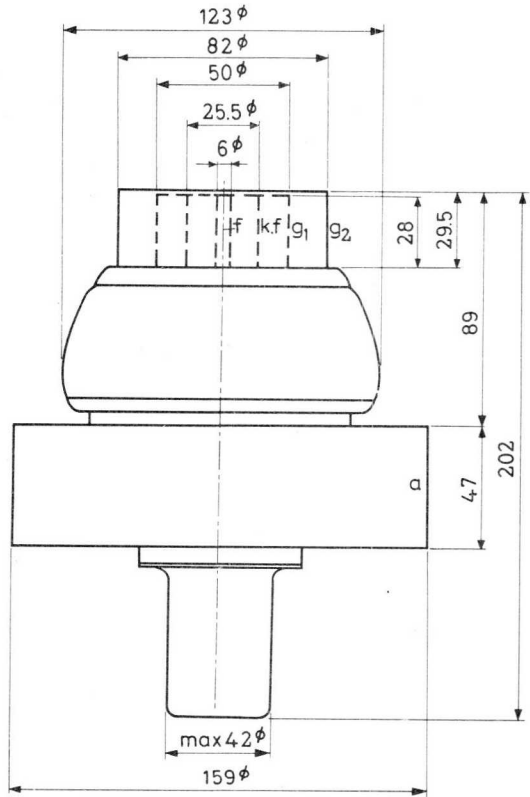
AIR COOLING CHARACTERISTICS

	W_a (kW)	q_{min} (m ³ /min)	p_i (mm H ₂ O)
Anode radiator	4	6	20
Socket		0.5	20

MECHANICAL DATA

Socket 40682
 Air duct 40683
 or
 Insulating pedestal 40654
 Net weight of tube 4.5 kg

Dimensions in mm



Mounting position: vertical with anode up or down

CLASS AB LINEAR S. S. B. AMPLIFIER, suppressed carrier service

LIMITING VALUES (Absolute limits)

Frequency	f	up to	60	MHz
Anode voltage	V_a	= max.	5.5	kV
Anode current	I_a	= max.	2	A
Anode input power	W_{i_a}	= max.	10	kW
Anode dissipation	W_a	= max.	4	kW
Grid No.2 voltage	V_{g_2}	= max.	1	kV
Grid No.2 dissipation	W_{g_2}	= max.	150	W
Negative grid No.1 voltage	$-V_{g_1}$	= max.	250	V
Grid No.1 current	I_{g_1}	= max.	25	mA

OPERATING CHARACTERISTICS

Frequency	f	=	13	MHz	
Anode voltage	V_a	=	5	kV	
Grid No.2 voltage	V_{g_2}	=	700	V	
Grid No.1 voltage	V_{g_1}	=	-150	V ¹⁾	
			zero signal	single tone signal	double tone signal
Peak driving voltage	$V_{g_{1p}}$	=	0	150	150 V
Anode current	I_a	=	0.7	1.8	1.26 A
Grid No.2 current	I_{g_2}	=	-10 to +10	120	40 mA
Grid No.1 current	I_{g_1}	=	0	-1	-0.3 mA
Anode input power	W_{i_a}	=	3.5	9	6.3 kW
Anode dissipation	W_a	=	3.5	2.85	3.2 kW
Output power in the load (PEP)	W_p	=	-	5.1	5.1 kW
Total efficiency	η	=	-	57	45 %
3 rd order intermodulation distortion	d_3	=	-	-	<-35 dB ²⁾
5 th order intermodulation distortion	d_5	=	-	-	<-40 dB ²⁾

1)2) See page 4

CLASS AB LINEAR S. S. B. AMPLIFIER, suppressed carrier service

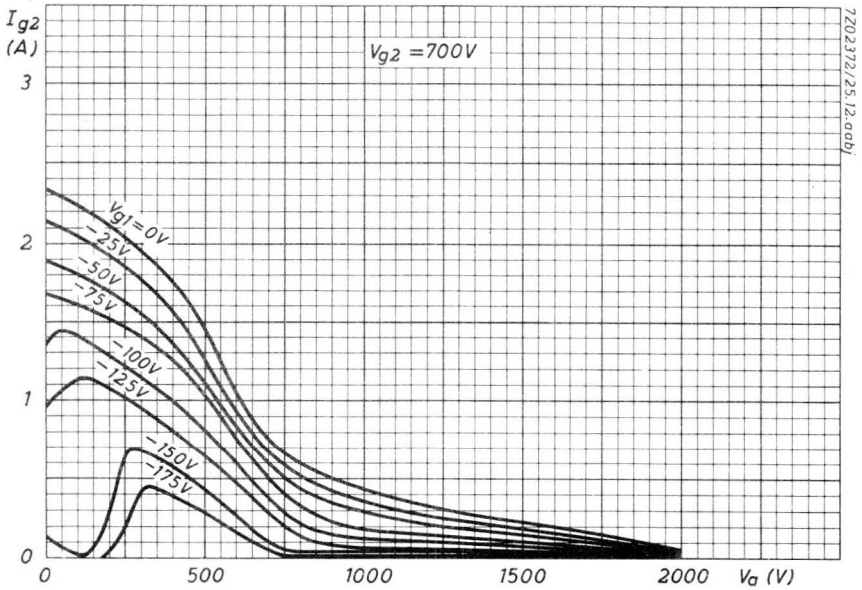
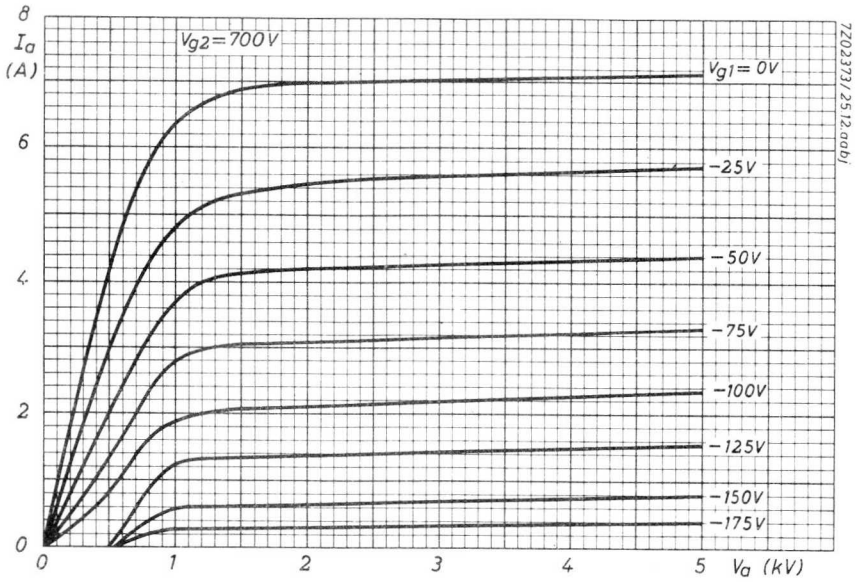
OPERATING CHARACTERISTICS (continued)

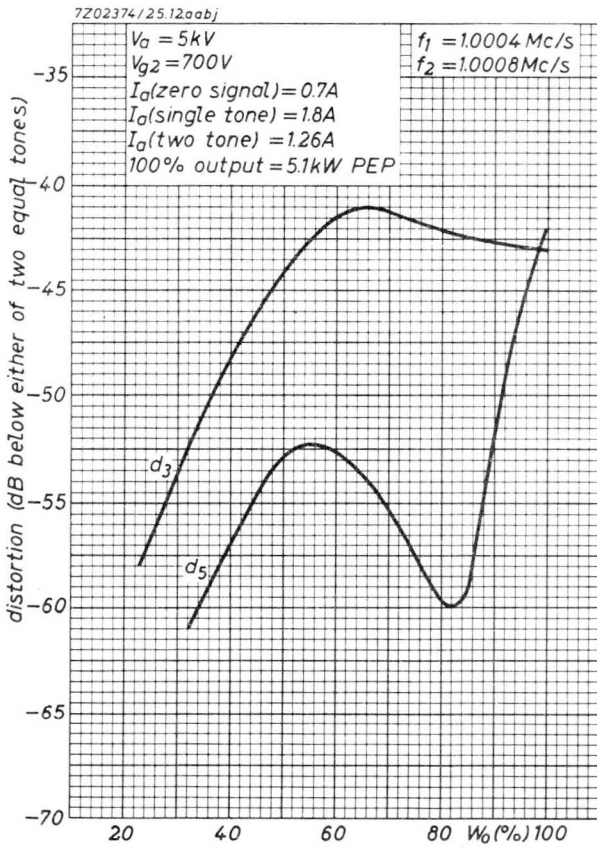
			zero signal	single tone signal	double tone signal	
Frequency	f	=		28		MHz
Anode voltage	V_a	=		5		kV
Grid No.2 voltage	V_{g2}	=		700		V
Grid No.1 voltage	V_{g1}	=		-150		V ¹⁾
Peak driving voltage	V_{g1p}	=	0	150	150	V
Anode current	I_a	=	0.7	1.8	1.26	A
Grid No.2 current	I_{g2}	=	-10 to +10	120	40	mA
Grid No.1 current	I_{g1}	=	0	-4	-1	mA
Anode input power	W_{i_a}	=	3.5	9	6.3	kW
Anode dissipation	W_a	=	3.5	2.85	3.2	kW
Output power in the load (PEP)	W_p	=	-	5.1	5.1	kW
Total efficiency	η	=	-	57	45	%
3 rd order intermodulation distortion	d_3	=	-	-	<-35	dB ²⁾
5 th order intermodulation distortion	d_5	=	-	-	<-40	dB ²⁾

¹⁾ To be adjusted for zero signal anode current.

²⁾ Maximum values encountered at any level of drive voltage referred to the amplitude of either of the two equal tones at that level.

Relative to the peak envelope power these figures will be increased by 6 dB. Considerably better distortion figures can be achieved with I_a at zero signal = 0.8 A at the cost of higher zero signal anode dissipation. Efficiency for full drive is hardly deteriorated by this higher value of zero signal anode current.





AIR COOLED R.F. POWER TETRODE

Forced air cooled coaxial tetrode intended for use as linear amplifier for single side band, suppressed carrier service.

QUICK REFERENCE DATA

Frequency (MHz)	Class AB1 SSB		Class B anode mod.	
	V_a (kV)	W_o PEP(kW)	V_a (kV)	W_o (kW)
1	5.0	5.7	5.0	5.1
30	5.0	5.0		

HEATING: indirect by A.C. or D.C.; cathode oxide coated

Heater voltage	V_f	=	12.6 V
Heater current	I_f	=	14.5 A
Waiting time	T_w	=	min. 10 min.

CAPACITANCES

Anode to all except grid No.1	C_a	=	33 pF
Grid No.1 to all except anode	C_{g1}	=	156 pF
Anode to grid No.1	C_{ag1}	=	0.16 pF

TYPICAL CHARACTERISTICS

Anode voltage	V_a	=	1 5 kV
Grid No.2 voltage	V_{g2}	=	650 650 V
Anode current	I_a	=	6 0.7 A
Amplification factor	μ_{g2g1}	=	3
Mutual conductance	S	=	45 mA/V

TEMPERATURE LIMITS (Absolute limits)

Envelope temperature	t	=	max. 200 °C
Air inlet temperature	t_i	=	max. 45 °C

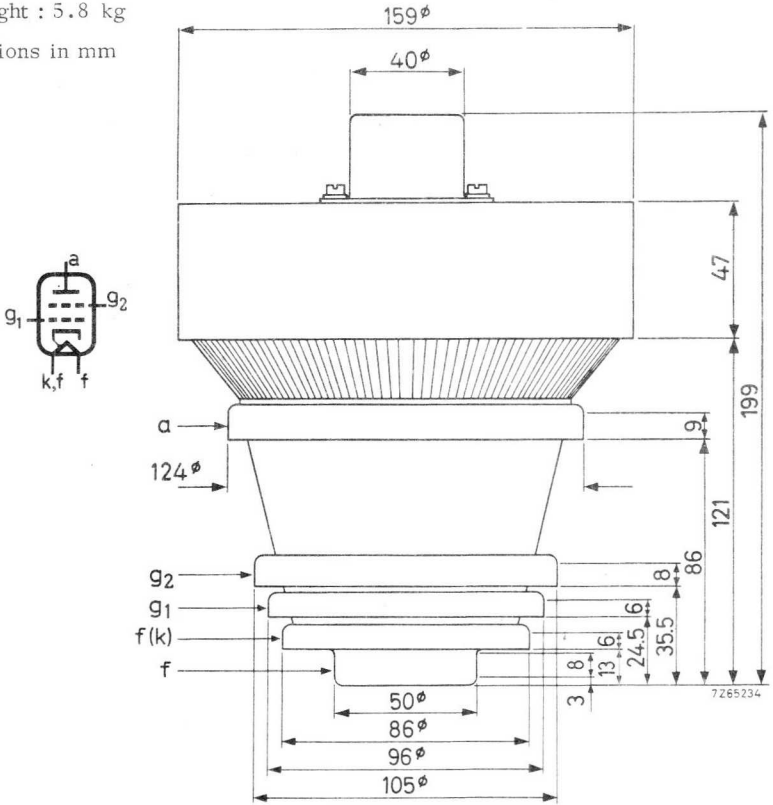
COOLING DATA

W_a (kW)	h (m)	t_i (°C)	q_{min} (m ³ /min)	P_i (mm H ₂ O)
4.0	0	45	5	23

Required air flow on socket $q = \text{min. } 0.55 \text{ m}^3/\text{min}$
 at a pressure loss $p_i = 16 \text{ mm H}_2\text{O}$

MECHANICAL DATA

Net weight : 5.8 kg
 Dimensions in mm



ACCESSORIES

- Socket 40699
- Chimney 40683

Mounting position : vertical
 with anode up or down

R. F. CLASS AB LINEAR AMPLIFIER, SINGLE SIDE BAND, suppressed carrier

LIMITING VALUES (Absolute limits)

Frequency	f	up to	30	MHz
Anode voltage	V_a	=	max.	5.5 kV
Anode input power	W_{ia}	=	max.	9.5 kW
Anode dissipation	W_a	=	max.	4 kW
Anode current	I_a	=	max.	2 A
Grid No.2 voltage	V_{g2}	=	max.	1 kV
Grid No.2 dissipation	W_{g2}	=	max.	140 W
Negative grid No.1 voltage	$-V_{g1}$	=	max.	250 V
Grid No.1 circuit resistance	R_{g1}	=	max.	10 k Ω

OPERATING CONDITIONS

Frequency	f	=	1	MHz	
Anode voltage	V_a	=	5.0	kV	
Grid No.2 voltage	V_{g2}	=	650	V	
Grid No.1 voltage	V_{g1}	=	-185	V ¹⁾	
			zero signal	single tone signal	double tone signal
Grid No.1 driving voltage	V_{g1p}	=	0	160 ²⁾	160 ²⁾ V
Anode current	I_a	=	0.7	1.85	1.30 A
Grid No.2 current	I_{g2}	=	-10 to +10	140	40 mA
Grid No.1 current	I_{g1}	=	0	0	0 mA
Anode input power	W_{ia}	=	3.5	9.25	6.5 kW
Anode dissipation	W_a	=	3.5	3.25	3.5 kW
Output power in load	W_{ℓ}	=	0	5.7	- kW ³⁾
PEP output power in load	W_{ℓ}	=	0	-	5.7 kW ³⁾
Total efficiency	η	=	-	61.5	43.5 %
Intermodulation distortion					
of the 3rd order	d_3	=	-	-	-40 dB ⁴⁾
of the 5th order	d_5	=	-	-	-40 dB ⁴⁾

¹⁾²⁾³⁾⁴⁾ See page 4.

R. F. CLASS AB LINEAR AMPLIFIER, SINGLE SIDE BAND, suppressed carrier

OPERATING CONDITIONS (continued)

Frequency	f	=	30	MHz
Anode voltage	V_a	=	5.0	kV
Grid No.2 voltage	V_{g2}	=	650	V
Grid No.1 voltage	V_{g1}	=	-185	V ¹⁾
			<div style="display: flex; justify-content: space-around; border-top: 1px solid black; border-bottom: 1px solid black;"> zero signal single tone signal double tone signal </div>	
Grid No.1 driving voltage	V_{g1p}	=	0	160 ²⁾ V
Anode current	I_a	=	0.7	1.85 1.30 A
Grid No.2 current	I_{g2}	=	-10 to +10	140 40 mA
Grid No.1 current	I_{g1}	=	0	< 5 < 5 mA
Anode input power	W_{i_a}	=	3.5	9.25 6.5 kW
Anode dissipation	W_a	=	3.5	3.35 3.55 kW
Output power in load	W_{ζ}	=	0	5.0 - kW ⁵⁾
PEP output power in load	W_{ζ}	=	0	- 5.0 kW ⁵⁾
Total efficiency	η	=	-	54 38 %
Intermodulation distortion				
of the 3rd order	d_3	=	-	-
of the 5th order	d_5	=	-	-

1) To be adjusted for zero signal anode current of 0.7 A; characteristic range values 150 to 215 V.

2) Maximum 175 V.

3) Measured in a circuit having an efficiency of 95%.

4) Maximum values encountered at any level of drive voltage referred to the amplitude of either of the two equal tones at that level.

Relative to the peak envelope power these figures will be increased by 6 dB.

5) Measured in a circuit having an efficiency of 85%.

R.F. CLASS B ANODE MODULATION

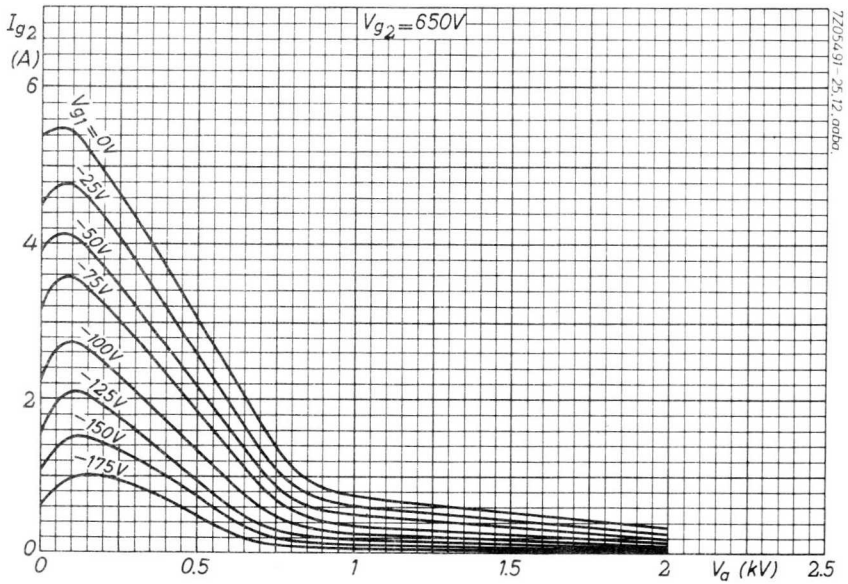
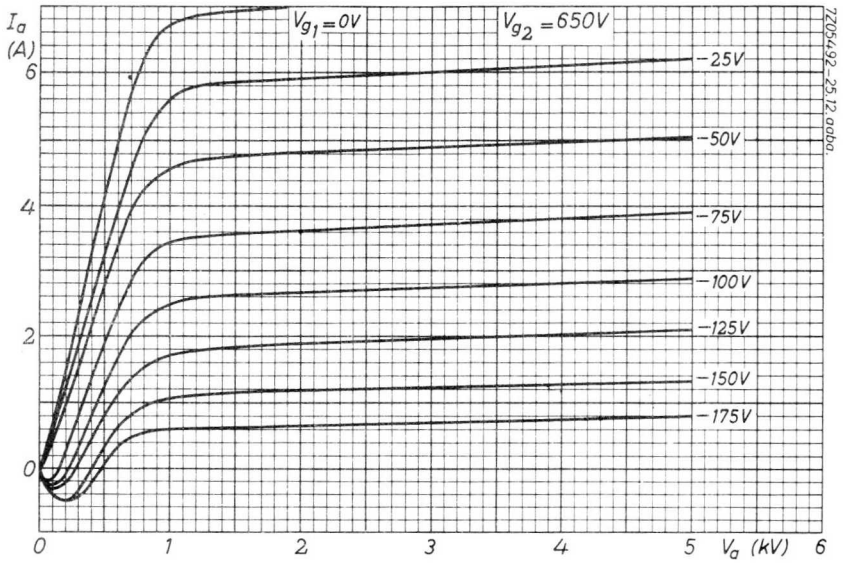
LIMITING VALUES (Absolute limits)

Frequency	f	=	up to 60 MHz
Anode voltage	V_a	=	max. 5.5 kV
Anode input power	W_{i_a}	=	max. 7.5 kW
Anode dissipation	W_a	=	max. 2.6 kW
Anode current	I_a	=	max. 1.6 A
Grid No.2 voltage	V_{g_2}	=	max. 800 V
Grid No.2 dissipation	W_{g_2}	=	max. 140 W
Negative grid No.1 voltage	$-V_{g_1}$	=	max. 250 V
Grid No.1 circuit resistance	R_{g_1}	=	max. 10 k Ω

OPERATING CONDITIONS

Frequency	f	=	1 MHz
Anode voltage	V_a	=	5.0 kV
Grid No.2 voltage	V_{g_2}	=	600 V
Grid No.1 voltage	V_{g_1}	=	-230 V
Peak grid No.1 driving voltage	$V_{g_{1p}}$	=	230 V
Anode current	I_a	=	1.46 A
Grid No.2 current	I_{g_2}	=	100 mA
Grid No.1 current	I_{g_1}	=	0 mA
Grid No.2 dissipation	W_{g_2}	=	60 W
Driving power	W_{dr}	=	0 W
Anode input power	W_{i_a}	=	7.3 kW
Anode dissipation	W_a	=	2.2 kW
Output power in the load	W_{ℓ}	=	4.6 kW ¹⁾
Tube efficiency	η	=	70 %
Modulation depth	m	=	100 %
Modulation power	W_{mod}	=	3.65 kW

¹⁾ Measured in a circuit having an efficiency of 90 %.



QUICK HEATING R.F. DOUBLE TETRODE

Quick heating radiation and convection cooled double tetrode for use as R.F. amplifier and frequency multiplier up to 500 MHz, designed for intermittent filament operation in transistorised mobile transmitters.

QUICK REFERENCE DATA

Freq. (MHz)	Class C telegraphy			Class C frequency multiplier		
	V_a (V)	$W_{dr}^{1)}$ (W)	$W_{\ell}^{2)}$ (W)	V_a (V)	$W_{dr}^{1)}$ (W)	$W_{\ell}^{2)}$ (W)
200	275	0.7	12.5			
500	175	1.5	6.0			
167/500				175	1.5	2.0

HEATING: direct by A.C. or D.C.; series or parallel supply

Filament oxide coated

Filament voltage $V_f = 1.1 V \pm 15\%$

Filament current $I_f = 2.9 A$

Heating time for $W_o = 70\%$ of full output power $T_h < 0.5 sec$

The frequency of the A.C. filament supply may be

for sinusoidal supply voltage max. 200 Hz

for square wave supply voltage any

CAPACITANCES, two systems in push-pull connection

Input capacitance $C_i = 4.1 pF$

Output capacitance $C_o = 1.2 pF$

The tube is internally neutralised for frequencies up to 500 MHz

¹⁾ Driver output power

²⁾ Useful power in the load

TYPICAL CHARACTERISTICS

Anode voltage	V_a	=	175	V
Grid No. 2 voltage	V_{g_2}	=	175	V
Anode current	I_a	=	40	mA
Amplification factor	$\mu_{g_2g_1}$	=	22	
Mutual conductance	S	=	7	mA/V

COOLING: Radiation and convection

The use of a closed tube shield is not recommended

TEMPERATURE LIMITS (Absolute limits)

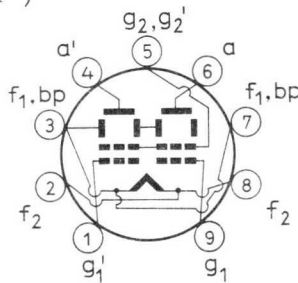
Bulb temperature = max. 230 °C

MECHANICAL DATA

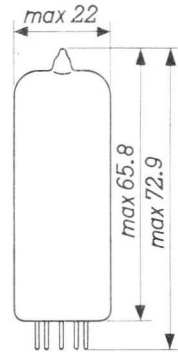
Base : Noval

Socket : 2422 502 01004 ¹⁾

Net weight: 16 g



Dimensions in mm



Mounting position: any

If the tube is mounted with its main axis horizontally, it is recommended that the pins 3 and 7 be in a horizontal plane.

The filament connections (tags 3-7 and 2-8) should be connected in parallel on the socket.

¹⁾ Or equivalent type suitable for the high filament current

R.F. CLASS C TELEGRAPHY OR F.M. TELEPHONY; two systems in push-pull

LIMITING VALUES (Absolute limits)

Frequency	f	up to	200	500	MHz
Anode voltage	V_a	= max.	300	200	V
Anode current	I_a	= max.	2x50	2x50	mA
Anode input power	W_{i_a}	= max.	30	20	W
Anode dissipation	W_a	= max.	2x4	2x4	W
Grid No.2 voltage	V_{g_2}	= max.	200	200	V
Grid No.2 dissipation	W_{g_2}	= max.	3	3	W
Negative grid No.1 voltage	$-V_{g_1}$	= max.	150	150	V
Grid No.1 current	I_{g_1}	= max.	2x5	2x5	mA
Grid No.1 circuit resistance	R_{g_1}	= max.	100	100	k Ω

OPERATING CONDITIONS

Frequency	f	=	200	500	MHz
Anode voltage	V_a	=	275	175	V
Grid No.2 supply voltage	V_{bg_2}	=	275	175	V
Grid No.2 series resistor	R_{g_2}	=	6.8	0.1	k Ω
Grid No.1 voltage	V_{g_1}	=	-20	-22	V
Grid No.1 resistor	R_{g_1}	=	3.9 ¹⁾	9.4 ²⁾	k Ω
Driving voltage	$V_{g_1 g_1' p}$	=	65	65	V
Anode current	I_a	=	2x42.5	2x40	mA
Grid No.2 current	I_{g_2}	=	14	12	mA
Grid No.1 current	I_{g_1}	=	2x2.6	2x2.3	mA
Grid No.2 dissipation	W_{g_2}	=	2.5	2.1	W
Driver output power	W_{dr}	=	0.7	1.5	W
Anode input power	W_{i_a}	=	23.4	14	W
Anode dissipation	W_a	=	2x3.5	2x3	W
Output power	W_o	=	16	8	W
Efficiency	η	=	68	57	%
Output power in the load	W_l	=	13	6.5	W ³⁾

1) Common for both units.

2) It is recommended to use two fixed resistors, one for each unit, in series with a common adjustable resistor.

3) For optimum conditions R_{g_1} should be adjusted to obtain the desired anode current.

R.F. CLASS C FREQUENCY TRIPLER , two systems in push-pull

LIMITING VALUES (Absolute limits)

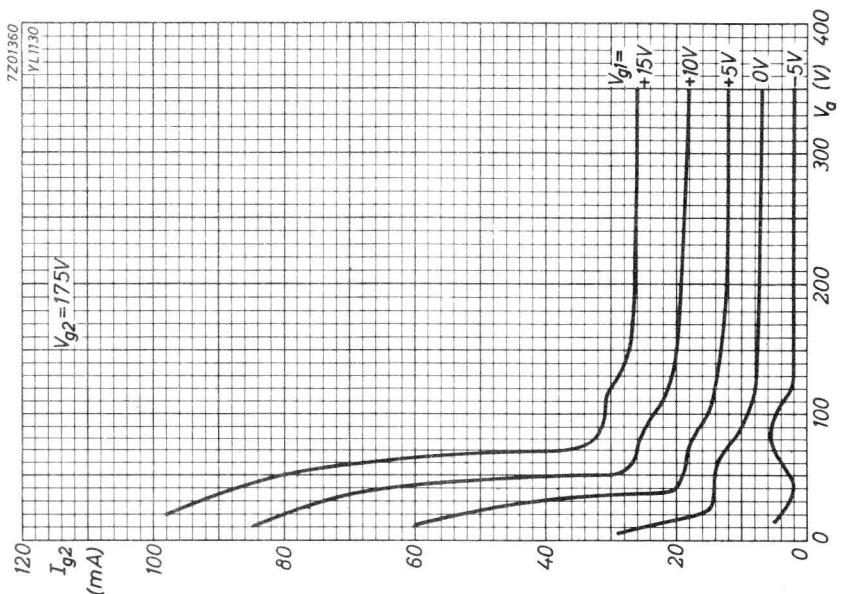
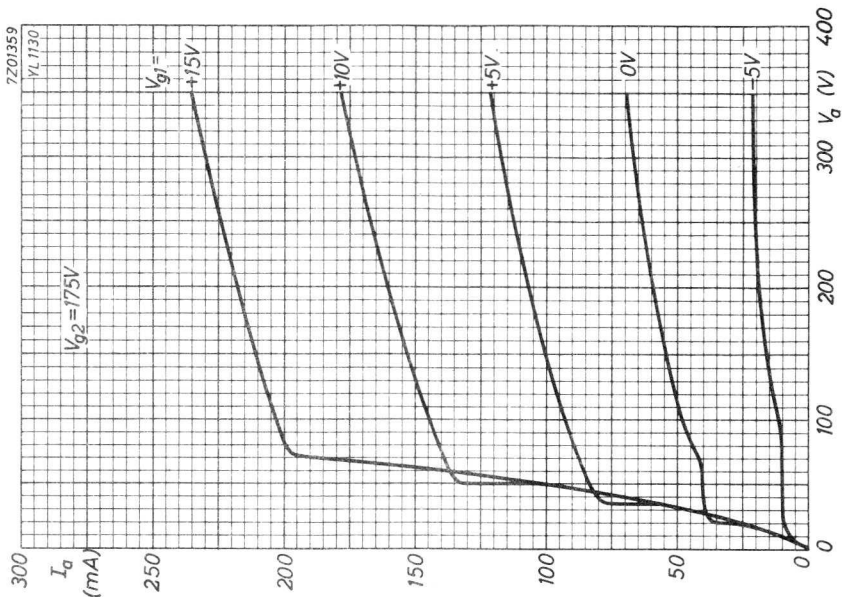
Frequency	f	up to	500	MHz
Anode voltage	V_a	= max.	200	V
Anode current	I_a	= max.	2x35	mA
Anode input power	W_{i_a}	= max.	12	W
Anode dissipation	W_a	= max.	2x4	W
Grid No.2 voltage	V_{g_2}	= max.	200	V
Grid No.2 dissipation	W_{g_2}	= max.	2.5	W
Negative grid No.1 voltage	$-V_{g_1}$	= max.	150	V
Grid No.1 current	I_{g_1}	= max.	2x3	mA
Grid No.1 circuit resistance	R_{g_1}	= max.	100	k Ω

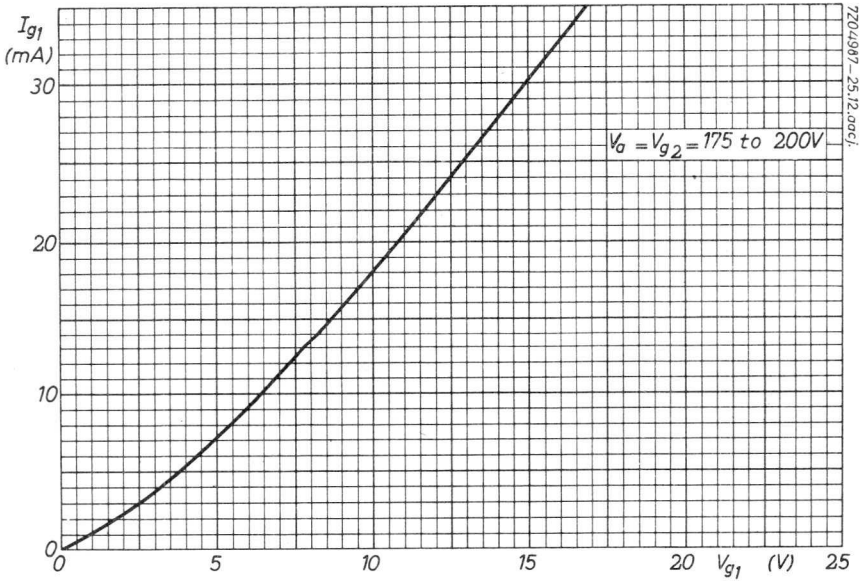
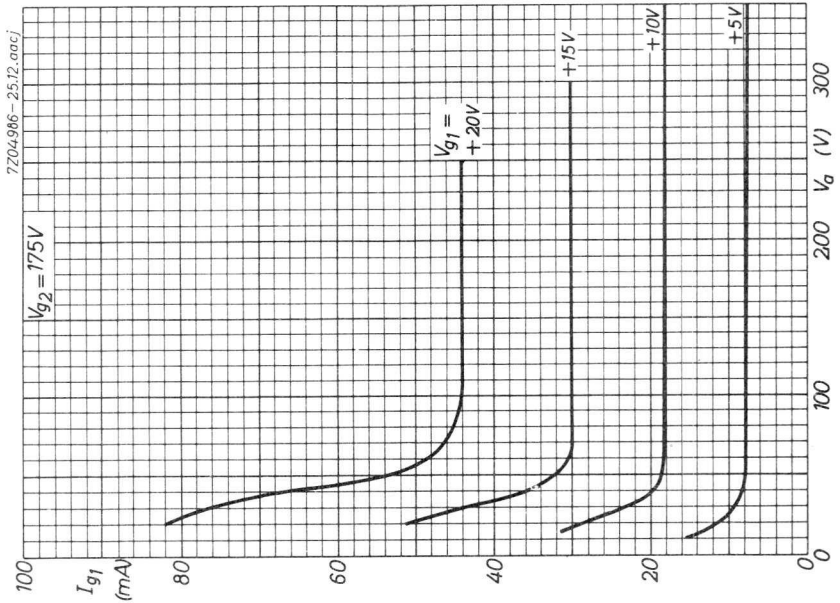
OPERATING CONDITIONS

Frequency	f	=	167/500	MHz
Anode voltage	V_a	=	175	V
Grid No.2 supply voltage	V_{bg_2}	=	175	V
Grid No.2 series resistor	R_{g_2}	=	100	Ω
Grid No.1 resistor	R_{g_1}	=	56	k Ω ¹⁾
Driving voltage	$V_{g_1 g_1' p}$	=	175	V
Anode current	I_a	=	2x30	mA
Grid No.2 current	I_{g_2}	=	9	mA
Grid No.1 current	I_{g_1}	=	2x1.2	mA
Grid No.2 dissipation	W_{g_2}	=	1.6	W
Driver output power	W_{dr}	=	1.5	W
Anode input power	W_{i_a}	=	10.5	W
Anode dissipation	W_a	=	2x3.5	W
Output power	W_o	=	3.5	W
Efficiency	η	=	33	%
Output power in the load	W_{ζ}	=	2	W ²⁾

¹⁾ It is recommended to use two fixed resistors, one for each unit, in series with a common adjustable resistor.

²⁾ For optimum conditions R_{g_1} should be adjusted to obtain the desired anode current.





R.F. BEAM POWER TETRODE

QUICK REFERENCE DATA				
Freq. (MHz)	Class AB Single sideband		Class AB mod. Two tubes	
	V_a (V)	W_l ¹⁾ (W)	V_a (V)	W_o (W)
30	600	110	600	200
60	600	100		

HEATING: Indirect by A.C. or D.C.; cathode oxide coated

Heater voltage	$V_f =$	6.3 V	12.6 V
Heater current	$I_f =$	1.90 A	0.95 A
Pins		(5+6)-2	5-6
Heating time	$T_h =$	min. 30	sec

CAPACITANCES

Anode to all other elements except grid No. 1	$C_a =$	10.7 pF
Grid No. 1 to all other elements except anode	$C_{g1} =$	24.5 pF
Anode to grid No. 1	$C_{ag1} =$	0.23 pF

TYPICAL CHARACTERISTICS

Anode voltage	$V_a =$	600 V
Grid No. 2 voltage	$V_{g2} =$	250 V
Anode current	$I_a =$	100 mA
Amplification factor	$\mu_{g2g1} =$	4.0
Mutual conductance	$S =$	10 mA/V

¹⁾ Peak envelope power. Useful power in the load.

TEMPERATURE LIMITS (Absolute limits)

Bulb temperature	=	max. 250 °C
Base pin seal temperature	=	max. 180 °C
Anode seal temperature	=	max. 220 °C

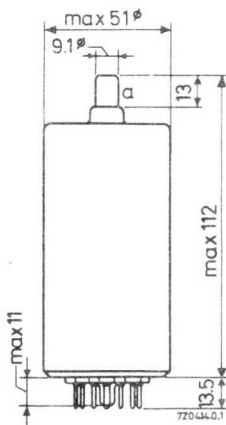
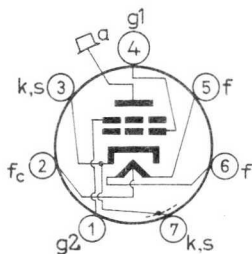
COOLING

Radiation and convection. In order to keep the temperatures below the maximum permitted values it may be necessary to direct an air flow to the bulb or seals.

MECHANICAL DATA

Dimensions in mm

Base	:	Septar
Socket	:	2422 513 00001
Anode connector:		40634
Net weight	:	110 g



Mounting position: any

R. F. CLASS AB LINEAR AMPLIFIER , single sideband, suppressed carrier

LIMITING VALUES (Absolute limits)

Frequency	f	up to	60	MHz
Anode voltage	V_a	= max.	750	V
Anode current	I_a	= max.	350	mA
Anode dissipation	W_a	= max.	75	W
Grid No.2 voltage	V_{g2}	= max.	300	V
Grid No.2 dissipation	W_{g2}	= max.	7.5	W
Negative grid No.1 voltage	$-V_{g1}$	= max.	100	V
Grid No.1 dissipation	W_{g1}	= max.	0.5	W
Grid No.1 circuit resistance	R_{g1}	= max.	10	k Ω

OPERATING CONDITIONS

Frequency	f	=	30	MHz
Anode voltage	V_a	=	600	V
Grid No.2 voltage	V_{g2}	=	250	V
Grid No.1 voltage	V_{g1}	=	-50	V 1)
			<div style="display: flex; justify-content: space-around; font-size: small;"> zero signal single tone signal double tone signal </div>	
Peak driving voltage	V_{g1p}	=	0 50 50	V
Anode current	I_a	=	100 325 220	mA
Grid No.2 current	I_{g2}	=	3 22 12	mA
Grid No.1 current	I_{g1}	=	0 0 0	mA 2)
Grid No.2 dissipation	W_{g2}	=	0.75 7 3.5	W
Driving power	W_{dr}	=	- 2 2	W
Anode input power	W_{i_a}	=	60 195 132	W
Anode dissipation	W_a	=	60 71 70	W
Output power in the load	W_l	=	- 110 110 3)	W
Efficiency	η	=	- 57 42	%
Intermodulation products				
third order	d_3	=	- - < 30	dB 4)
fifth order	d_5	=	- - < 40	dB 4)

1)2)3)4) See page 4

R. F. CLASS AB LINEAR AMPLIFIER , single sideband, suppressed carrier
(continued)

OPERATING CONDITIONS (continued)

Parameter	Symbol	=	Signal Condition			Units
			zero signal	single tone signal	double tone signal	
Frequency	f	=	60			MHz
Anode voltage	V_a	=	600			V
Grid No.2 voltage	V_{g2}	=	250			V
Grid No.1 voltage	V_{g1}	=	-50			V ¹⁾
Peak driving voltage	V_{g1p}	=	0	50	50	V
Anode current	I_a	=	100	325	220	mA
Grid No.2 current	I_{g2}	=	3	22	12	mA
Grid No.1 current	I_{g1}	=	0	0	0	mA ²⁾
Grid No.2 dissipation	W_{g2}	=	0.75	7	3.5	W
Driving power	W_{dr}	=	-	2	2	W
Anode input power	W_{i_a}	=	60	195	132	W
Anode dissipation	W_a	=	60	75	72	W
Output power in the load	W_l	=	-	100	100 ³⁾	W
Efficiency	η	=	-	51	38	%
Intermodulation products						
third order	d_3	=	-	-	< 30	dB ⁴⁾
fifth order	d_5	=	-	-	< 40	dB ⁴⁾

1) To be adjusted for the stated value of the zero-signal anode current.

2) Due to transit-time effects this value can differ from 0 mA and vary between +1 mA and -1 mA. This value will increase with increasing frequency.

3) Peak envelope power.

4) Maximum values encountered at any level of drive voltage referred to the amplitude of either of the two equal tones at that level.

Relative to the peak envelope power these figures will be increased by 6 dB.

A.F. CLASS AB AMPLIFIER AND MODULATOR

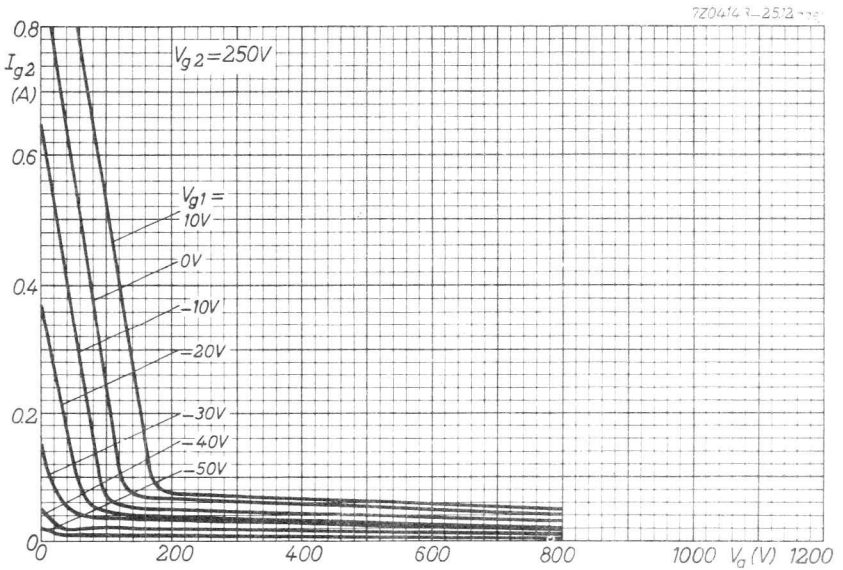
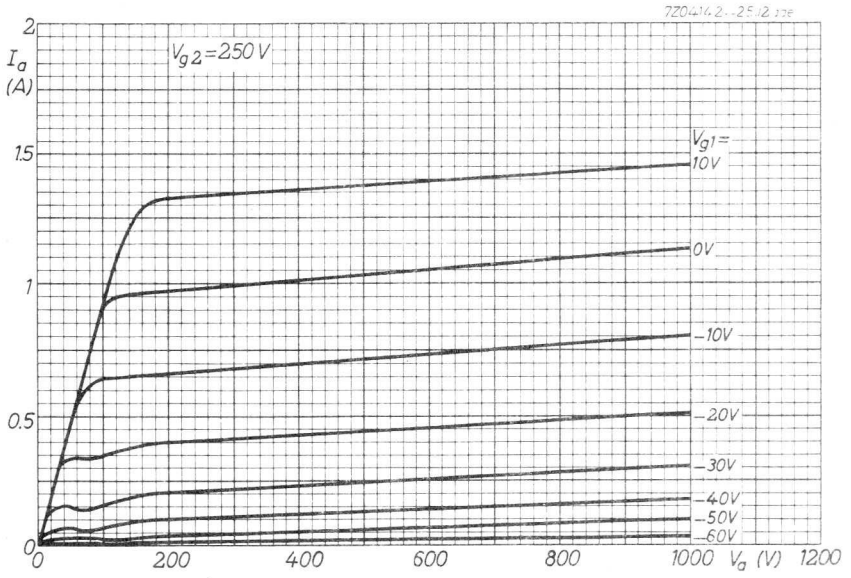
LIMITING VALUES (Absolute limits)

Anode voltage	V_a	= max.	750	V
Anode current	I_a	= max.	350	mA
Anode dissipation	W_a	= max.	75	W
Grid No.2 voltage	V_{g2}	= max.	300	V
Grid No.2 dissipation	W_{g2}	= max.	7.5	W
Negative grid No.1 voltage	$-V_{g1}$	= max.	100	V
Grid No.1 current	I_{g1}	= max.	10	mA
Grid No.1 circuit resistance	R_{g1}	= max.	10	k Ω

OPERATING CONDITIONS, two tubes in push-pull

Anode voltage	V_a	=	600	V	
Grid No.2 voltage	V_{g2}	=	250	V	
Grid No.1 voltage	V_{g1}	=	-50	V ¹⁾	
Load resistance	$R_{aa\sim}$	=	2.8	k Ω	
Peak driving voltage	V_{g1g1p}	=	0	100	V
Anode current	I_a	=	2x100	2x260	mA
Grid No.2 current	I_{g2}	=	2x3	2x24	mA
Grid No.1 current	I_{g1}	=	0	0	mA
Grid No.2 dissipation	W_{g2}	=	2x0.75	2x6	W
Anode input power	W_{i_a}	=	2x60	2x156	W
Anode dissipation	W_a	=	2x60	2x56	W
Output power	W_o	=	0	200	W
Efficiency	η	=	-	64	%
Total harmonic distortion	d_{tot}	=	-	< 2	%

1) To be adjusted for the stated value of the zero-signal anode current



AIR COOLED R.F. POWER TETRODE

Forced air cooled power tetrode in coaxial metal-glass construction intended for use as S.S.B. amplifier and amplifier in T.V. transmitters.

QUICK REFERENCE DATA				
Frequency (MHz)	S.S.B.		Class B television service	
	V_a (kV)	W_f (kW)	V_a (kV)	W_f sync (kW)
30	4.5	3		
230			4	5.5

HEATING: Direct; filament thoriated tungsten

Filament voltage	V_f	5 V
Filament current	I_f	64 A

CAPACITANCES

Anode to all except grid No. 1	$C_a(g_1)$	14 pF
Grid No. 1 to all except anode	$C_{g_1(a)}$	78 pF
Anode to grid No. 1	C_{ag_1}	0.23 pF

TYPICAL CHARACTERISTICS

Anode voltage	V_a	3 kV
Grid No. 2 voltage	V_{g_2}	600 V
Anode current	I_a	1 A
Transconductance	S	22 mA/V
Amplification factor	$\mu_{g_2g_1}$	5.2

TEMPERATURE LIMITS AND COOLING

Absolute max. envelope temperature

t_{env} max. 220 °C

Cooling data

W_a (kW)	h (m)	t_i (°C)	q (m ³ /min.)	P_i mm H ₂ O
2.5	0	25	2.7	50
4	0	25	4.3	130

See also cooling curve.

A low velocity air flow (> 0.5 m³/min) should be directed to the filament and grid seals.

MECHANICAL DATA

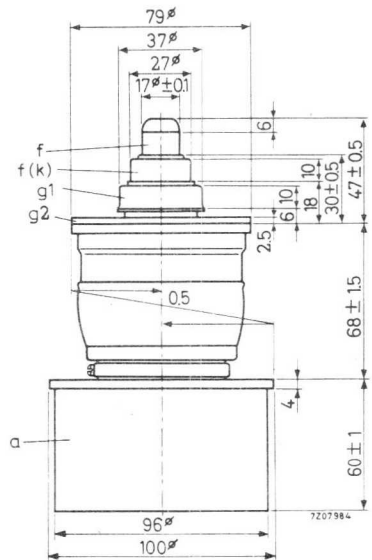
Dimensions in mm

Mounting position: vertical, anode up or down

Net weight: approx. 2.5 kg

Accessories:

- Filament connector (one required) type 40721
- Grid No.1 connector type 40722
- Grid No.2 connector type 40723
- Insulating pedestal type 40724



H.F. CLASS AB LINEAR POWER AMPLIFIER, SINGLE SIDE BAND, suppressed carrier.

LIMITING VALUES (Absolute max. rating system)

Frequency	f	max.	30	MHz
Anode voltage	V_a	max.	6	kV
Grid No.2 voltage	V_{g2}	max.	800	V
Grid No.1 voltage	$-V_{g1}$	max.	400	V
Anode current	I_a	max.	2.5	A
Grid No.1 current	I_{g1}	max.	0.2	A
Anode input power	W_{i_a}	max.	8	kW
Anode dissipation	W_a	max.	4	kW
Grid No.2 dissipation	W_{g2}	max.	120	W
Grid No.1 dissipation	W_{g1}	max.	40	W

OPERATING CONDITIONS

Frequency	f	30	MHz	
Anode voltage	V_a	4.5	kV	
Grid No.2 voltage	V_{g2}	800	V	
Grid No.1 voltage	V_{g1}	-140	V ¹⁾	
		zero signal	single tone	double tone
Grid No.1 driving voltage	V_{g1p}	0	140	140 V
Anode current	I_a	0.5	1.33	0.93 A
Grid No.2 current	I_{g2}	0	30	8 mA
Grid No.1 current	I_{g1}	0	0	0 mA
Anode input power	W_{i_a}	2.25	6	4.2 kW
Anode dissipation	W_a	2.25	2.8	2.6 kW
Grid No.2 dissipation	W_{g2}	0	24	6.4 W
Driver output power	W_{dr}	0	30	30 W ³⁾
Output power in load (P.E.P.)	W_l		3	3 kW ²⁾

1) Adjust to give the zero signal anode current.

2) Measured in a circuit having an efficiency of 95%.

3) The indicated driver output power is required to take care of losses in damping resistors and circuit losses.

R.F. CLASS B TELEPHONY FOR TELEVISION SERVICE; linear grounded-grid amplifier. Negative modulation, positive synchronisation (CCIR and FCC system)

LIMITING VALUES (Absolute max. rating system)

Frequency	f	max. 230 MHz
Anode voltage	V_a	max. 4.2 kV
Grid No. 2 voltage	V_{g2}	max. 800 V
Grid No. 1 voltage	$-V_{g1}$	max. 400 V
Anode current	I_a	max. 2.5 A
Grid No. 1 current	I_{g1}	max. 200 mA
Anode input power	W_{i_a}	max. 8 kW
Anode dissipation	W_a	max. 4 kW
Grid No. 2 dissipation	W_{g2}	max. 100 W
Grid No. 1 dissipation	W_{g1}	max. 30 W

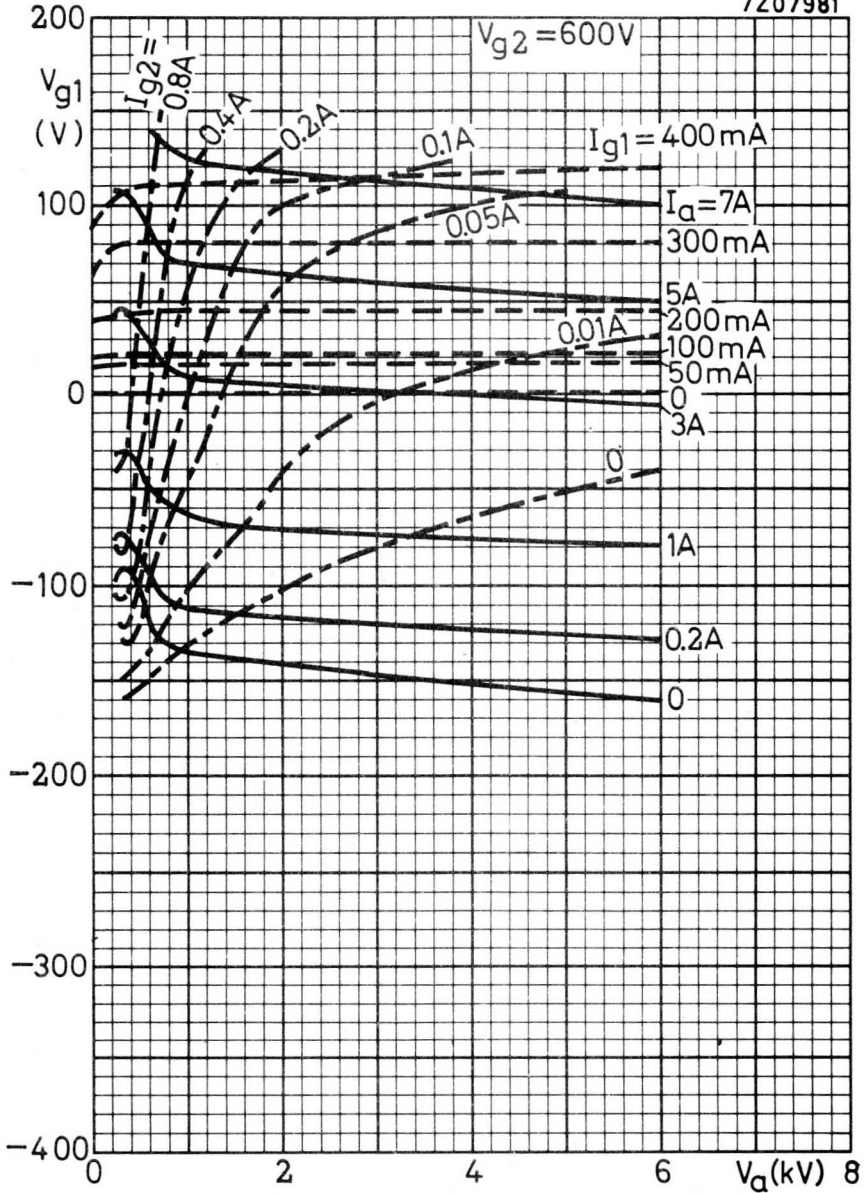
OPERATING CONDITIONS

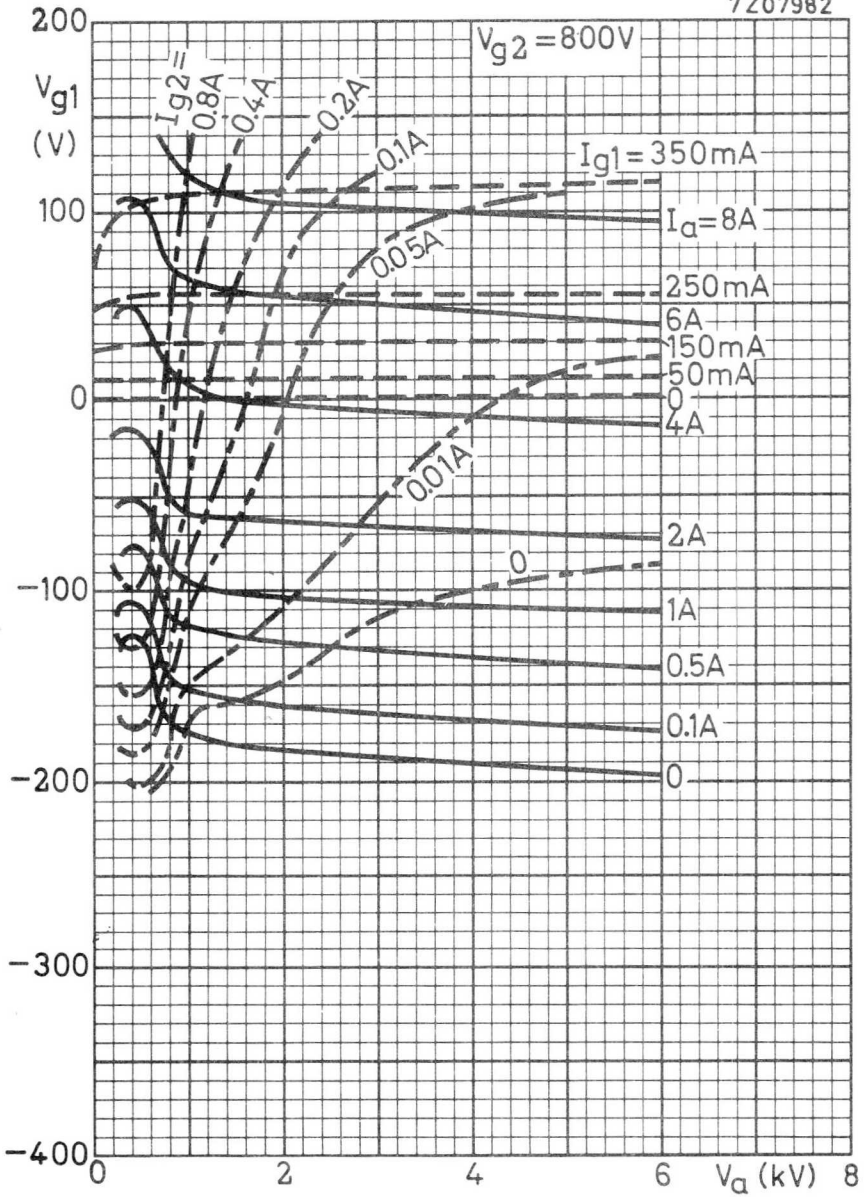
Frequency	f	230 MHz
Bandwidth (-3 dB)	B (-3 dB)	10 MHz ¹⁾
Anode voltage	V_a	4 kV
Grid No. 2 voltage	V_{g2}	600 V
Grid No. 1 voltage	V_{g1}	-115 V
Input A.C. voltage, peak	V_{g1p} sync	280 V
Anode current	I_a black	1.5 A
Grid No. 2 current	I_{g2} black	40 mA
Grid No. 1 current	I_{g1} black	60 mA
Driver output power	W_{dr} sync	550 W
Output power in load	W_l sync black	5.5 kW ²⁾ 3 kW ²⁾
Anode dissipation	W_a black	3 kW

¹⁾ Bandwidth obtained with secondary circuit.

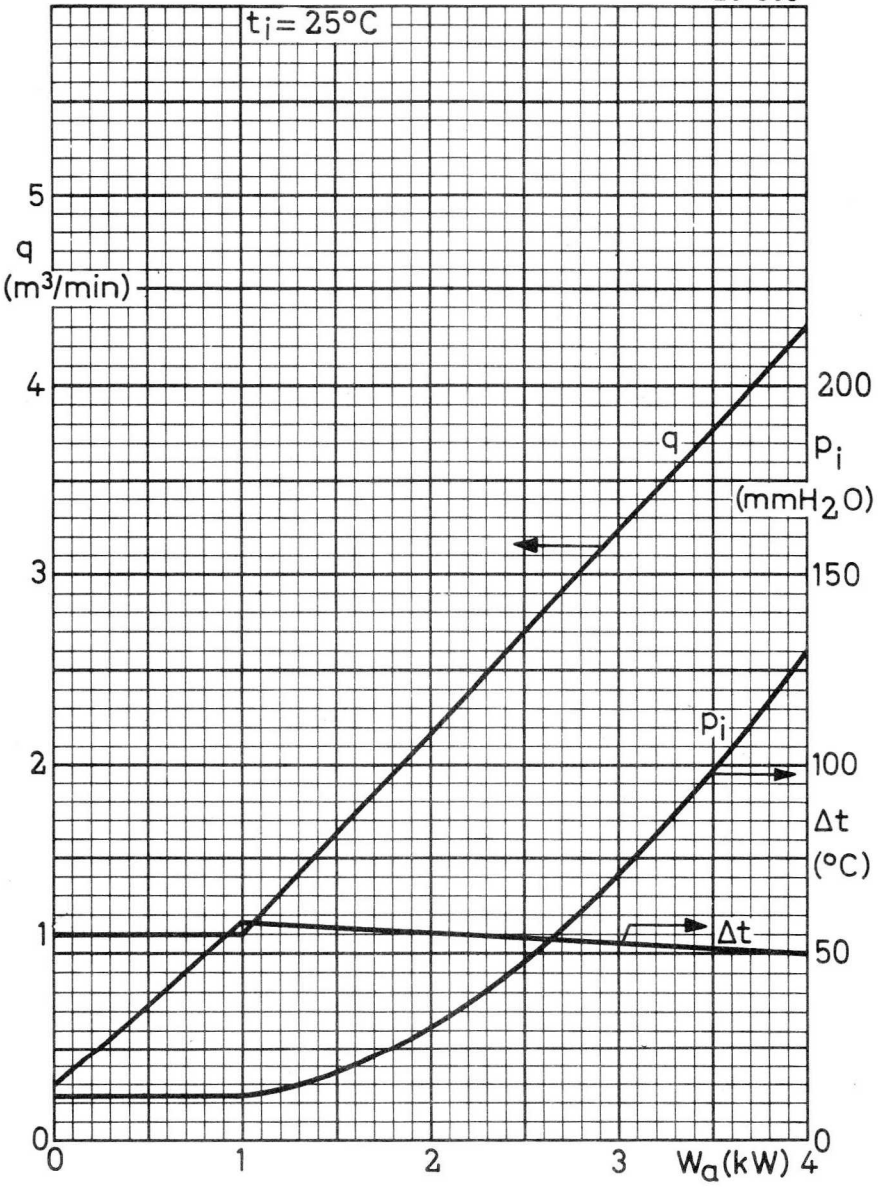
²⁾ W_l represents the useful power in the load inclusive feedthrough power and assumes a circuit transfer efficiency of 90%.

7Z07981





7Z07983



VAPOUR COOLED R.F. POWER TETRODE

Vapour cooled power tetrode in coaxial metal-glass construction intended for use as S.S.B. amplifier and amplifier in T.V. transmitters.

QUICK REFERENCE DATA

Frequency (MHz)	S.S.B.		Class B television service	
	V_a (kV)	W_ℓ (kW)	V_a (kV)	W_ℓ sync (kW)
30 230	4.5	3	4	5.5

HEATING: Direct; filament thoriated tungsten

Filament voltage	V_f	5 V
Filament current	I_f	64 A

CAPACITANCES

Anode to all except grid No. 1	$C_{a(g_1)}$	14 pF
Grid No. 1 to all except anode	$C_{g_1(a)}$	78 pF
Anode to grid No. 1	C_{ag_1}	0.23 pF

TYPICAL CHARACTERISTICS

Anode voltage	V_a	3 kV
Grid No. 2 voltage	V_{g_2}	600 V
Anode current	I_a	1 A
Transconductance	S	22 mA/V
Amplification factor	$\mu_{g_2g_1}$	5.2

TEMPERATURE LIMITS AND COOLING

Absolute max. envelope temperature

t_{env} max. 220 °C

A low velocity air flow ($> 0.5 \text{ m}^3/\text{min}$) should be directed to the filament and grid seals.

MECHANICAL DATA

Dimensions in mm

Mounting position: vertical, anode down

Net weight: approx. 1.7 kg

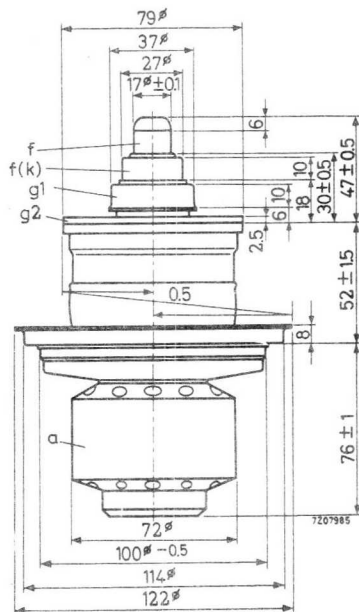
Accessories

Filament connector (one required) type 40721

Grid No.1 connector type 40722

Grid No.2 connector type 40723

Boiler type K 731



H.F. CLASS AB LINEAR POWER AMPLIFIER, SINGLE SIDE BAND, suppressed carrier.

LIMITING VALUES (Absolute max. rating system)

Frequency	f	max. 30	MHz
Anode voltage	V_a	max. 6	kV
Grid No.2 voltage	V_{g2}	max. 800	V
Grid No.1 voltage	$-V_{g1}$	max. 400	V
Anode current	I_a	max. 2.5	A
Anode input power	W_{i_a}	max. 8	kW
Anode dissipation	W_a	max. 6	kW
Grid No.2 dissipation	W_{g2}	max. 120	W
Grid No.1 dissipation	W_{g1}	max. 40	W

OPERATING CONDITIONS

Frequency	f	30	MHz	
Anode voltage	V_a	4.5	kV	
Grid No.2 voltage	V_{g2}	800	V	
Grid No.1 voltage	V_{g1}	-140	V ¹⁾	
		zero signal	single tone	double tone
Grid No.1 driving voltage	V_{g1p}	0	140	140 V
Anode current	I_a	0.5	1.33	0.93 A
Grid No.2 current	I_{g2}	0	30	8 mA
Grid No.1 current	I_{g1}	0	0	0 mA
Anode input power	W_{i_a}	2.25	6	4.2 kW
Anode dissipation	W_a	2.25	2.8	2.6 kW
Grid No.2 dissipation	W_{g2}	0	24	6.4 W
Driver output power	W_{dr}	0	30	30 W ³⁾
Output power in load (P.E.P.)	W_ℓ	-	3	3 kW ²⁾

¹⁾ Adjust to give the zero signal anode current.

²⁾ Measured in a circuit having an efficiency of 95%.

³⁾ The indicated driver output power is required to take care of losses in damping resistors and circuit losses.

R.F. CLASS B TELEPHONY FOR TELEVISION SERVICE ; linear grounded-grid amplifier.

Negative modulation, positive synchronisation (CCIR and FCC system)

LIMITING VALUES (Absolute max. rating system)

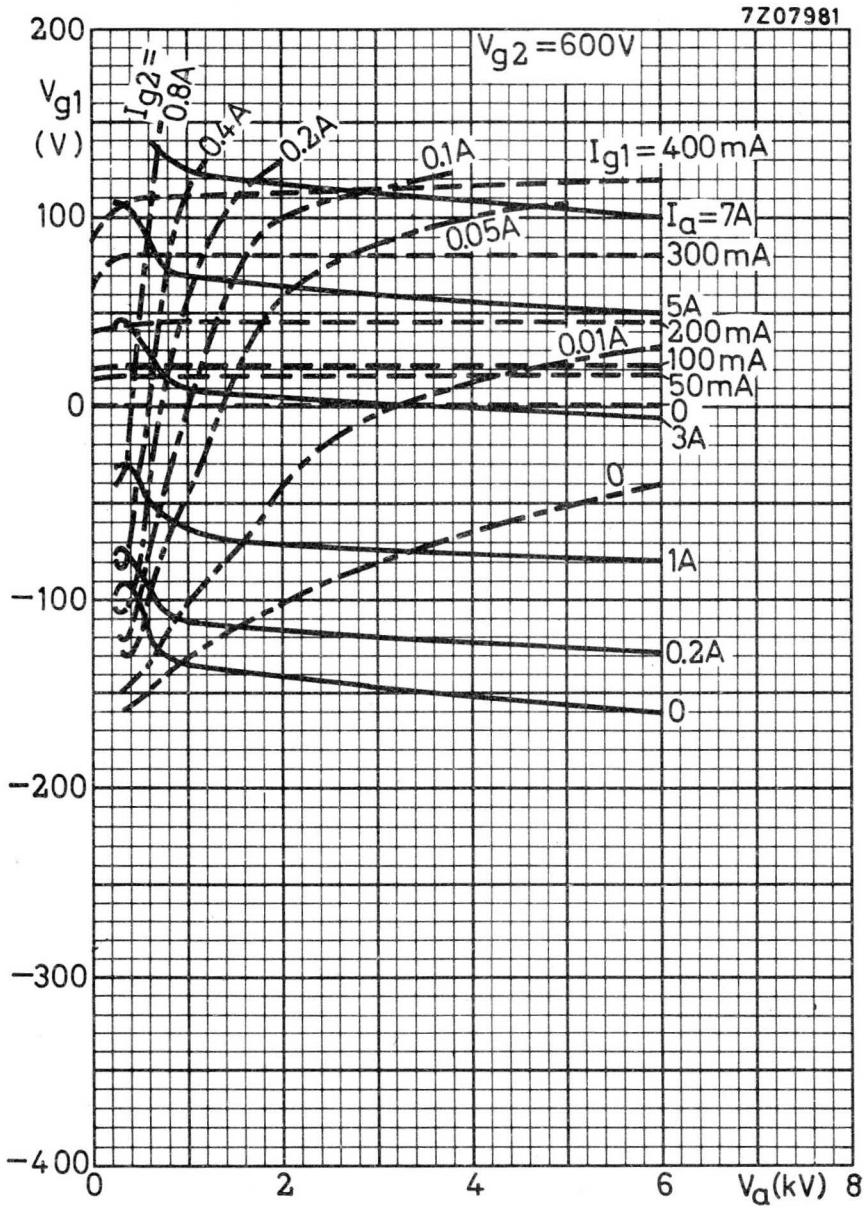
Frequency	f	max. 230 MHz
Anode voltage	V_a	max. 4.2 kV
Grid No.2 voltage	V_{g2}	max. 800 V
Grid No.1 voltage	$-V_{g1}$	max. 400 V
Anode current	I_a	max. 2.5 A
Grid No.1 current	I_{g1}	max. 0.2 A
Anode input power	W_{i_a}	max. 8 kW
Anode dissipation	W_a	max. 6 kW
Grid No.2 dissipation	W_{g2}	max. 100 W
Grid No.1 dissipation	W_{g1}	max. 30 W

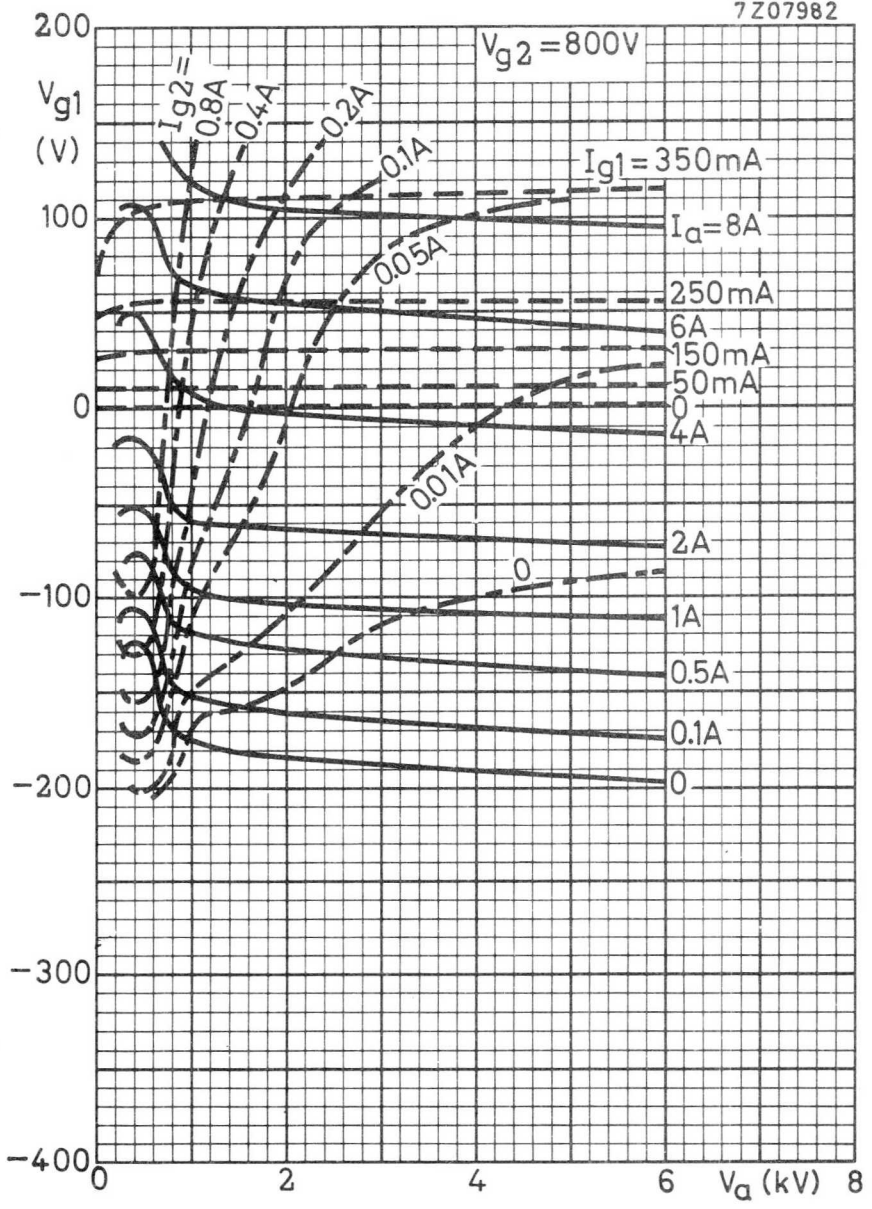
OPERATING CONDITIONS

Frequency	f	230 MHz
Bandwidth (-3 dB)	B (-3 dB)	10 MHz ¹⁾
Anode voltage	V_a	4 kV
Grid No.2 voltage	V_{g2}	600 V
Grid No.1 voltage	V_{g1}	-115 V
Input A.C. voltage, peak	V_{g1p} sync	280 V
Anode current	I_a black	1.5 A
Grid No.2 current	I_{g2} black	40 mA
Grid No.1 current	I_{g1} black	60 mA
Driver output power	W_{dr} sync	550 W
Output power in load	W_l sync	5.5 kW ²⁾
	W_l black	3 kW ²⁾
Anode dissipation	W_a black	3 kW

¹⁾ Bandwidth obtained with secondary circuit.

²⁾ W_l represents the useful power in the load inclusive feedthrough power and assumes a circuit transfer efficiency of 90%.





QUICK HEATING R.F. DOUBLE TETRODE

Radiation and convection cooled double tetrode intended for use as RF amplifier and frequency multiplier up to 500 MHz, designed for intermittent filament operation in transistorized mobile transmitters.

QUICK REFERENCE DATA

RF class C telegraphy	f	200	MHz	V_a	350	V
	W_{dr}	1.0	W	W_ℓ	26	W
RF class C telegraphy	f	500	MHz	V_a	250	V
	W_{dr}	2.5	W	W_ℓ	14.5	W
RF class C frequency multiplier	f	167/500	MHz	V_a	250	V
	W_{dr}	2.2	W	W_ℓ	2.5	W
RF class C a/g_2 mod.	f	175	MHz	V_a	280	V
	W_{dr}	1.5	W	W_ℓ	15	W

FILAMENT oxide coated

HEATING: Direct by A.C. or D.C.; series and parallel supply

The frequency of A.C. filament supply may be:

sinusoidal supply voltage max. 200 Hz

square wave supply voltage: any

Filament voltage V_f 1.1 V $\pm 15\%$

Filament current I_f 4.2 A

Heating time for $W_o = 70\%$ of $W_{o\max}$. max. 0.5 s

CAPACITANCES

Units in push-pull

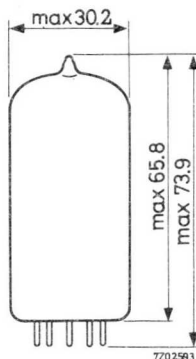
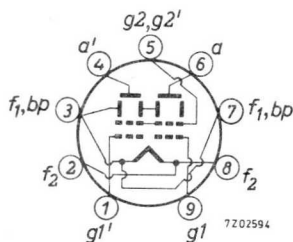
Input C_i 4.7 pF

Output C_o 1.2 pF

The tube is internally neutralized for frequencies up to 500 MHz

DIMENSIONS AND CONNECTIONS

Base: Magnoval



TYPICAL CHARACTERISTICS, each unit

Amplification factor

at $V_a = 150$ V, $V_{g2} = 150$ V, $I_a = 45$ mA $\mu_{g2g1} \quad 20$

Transconductance

at $V_a = 150$ V, $V_{g2} = 150$ V, $I_a = 45$ mA $S \quad 9.5 \text{ mA/V}$

MOUNTING POSITION any

If the tube is mounted with its main axis horizontally it is recommended that the pins 3 and 7 be in a horizontal plane.

ACCESSORIES

Socket: magnoval 2422 502 05001 or equivalent typesuitable for the high filament current.

Filament connections (tags 3-7 and 2-8) should be connected in parallel on the socket.

WEIGHT

Net weight 27 g

TEMPERATURE LIMITS AND COOLING

Radiation and convection cooling. The use of a closed tube shield is not recommended.

Absolute maximum bulb temperature $t_{bulb} \quad \text{max.} \quad 230 \text{ } ^\circ\text{C}$

R.F. CLASS C TELEGRAPHY AND F.M. TELEPHONY, two units in push-pull

LIMITING VALUES (Absolute limits). Intermittent service, **ICAS**

Frequency	f	max.	200	500	MHz
Anode voltage	V_a	max.	400	300	V
Grid No.2 voltage	V_{g2}	max.	200	200	V
Grid No.1 voltage	$-V_{g1}$	max.	150	100	V
Anode current	I_a	max.	2x75	2x75	mA
Grid No.1 current	I_{g1}	max.	2x7	2x7	mA
Anode input power	W_{ia}	max.	56	42	W
Anode dissipation	W_a	max.	2x8	2x8	W
Grid No.2 dissipation	W_{g2}	max.	3.5	3.5	W
Grid No.1 circuit resistance	R_{g1}	max.	100	100	k Ω

OPERATING CONDITIONS Intermittent service, **ICAS**

Frequency	f	200	200	500	MHz
Anode voltage	V_a	350	350	260	V
Grid No.2 supply voltage	V_{bg2}	350	350	260	V
Grid No.2 series resistor	R_{g2}	9	9	4.3	k Ω
Grid No.1 voltage	V_{g1}	-26	-13	-22.5	V
Grid No.1 circuit resistance	R_{g1}	4.7 ¹⁾	2 ¹⁾	6.9 ²⁾	k Ω
Driving voltage	$V_{g1g1'p}$	85	85	65	V
Anode current	I_a	2x70	2x70	2x70	mA
Grid No.2 current	I_{g2}	20	23.5	20	mA
Grid No.1 current	I_{g1}	2x6.5	2x6.5	2x3.25	mA
Anode input power	W_{ia}	49	49	36.5	W
Anode dissipation	W_a	2x8	2x8	2x8	W
Grid No.2 dissipation	W_{g2}	3.4	3.3	3.5	W
Driver output power	W_{dr}	1.0	1.0	2.5	W
Output power	W_o	33	33	19	W
Efficiency	η	67	67	52	%
Output power in load	W_ℓ	26	26	14	W ³⁾

1) Common for both units.

2) It is recommended to use two fixed resistors, one for each unit, in series with a common adjustable resistor.

3) For optimal conditions R_{g1} should be adjusted to obtain the desired anode current.

R.F. CLASS C FREQUENCY TRIPLER, two units in push-pull

LIMITING VALUES (Absolute limits). Intermittent service, **ICAS**

Frequency	f	max.	500	MHz
Anode voltage	V_a	max.	300	V
Grid No.2 voltage	V_{g_2}	max.	200	V
Grid No.1 voltage	$-V_{g_1}$	max.	150	V
Anode current	I_a	max.	2x50	mA
Grid No.1 current	I_{g_1}	max.	2x3.	mA
Anode input power	W_{ia}	max.	27	W
Anode dissipation	W_a	max.	2x8	W
Grid No.2 dissipation	W_{g_2}	max.	3.5	W
Grid No.1 circuit resistance	R_{g_1}	max.	100	k Ω

OPERATING CONDITIONS Intermittent service. **ICAS**

Frequency	f	167/500	MHz
Anode voltage	V_a	250	V
Grid No.2 supply voltage	V_{bg_2}	250	V
Grid No.2 series resistor	R_{g_2}	5.6	k Ω
Grid No.1 circuit resistance-each unit	R_{g_1}	27	k Ω ¹⁾
Driving voltage	$V_{g_1g_1'p}$	170	V
Anode current	I_a	2x45	mA
Grid No.2 current	I_{g_2}	14	mA
Grid No.1 current	I_{g_1}	2x2.5	mA
Anode input power	W_{ia}	22.5	W
Anode dissipation	W_a	2x8	W
Grid No.2 dissipation	W_{g_2}	2.4	W
Driver output power	W_{dr}	2.2	W
Output power	W_o	6.5	W
Efficiency	η	29	%
Output power in load	W_ℓ	3	W ²⁾

1) It is recommended to use two fixed resistors, one for each unit, in series with a common adjustable resistor.

2) For optimal conditions R_{g_1} should be adjusted to obtain the desired anode current.

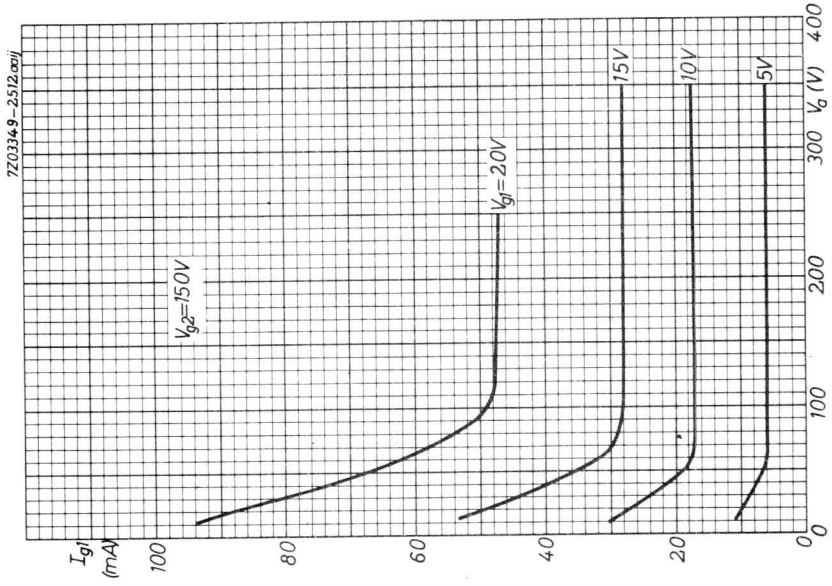
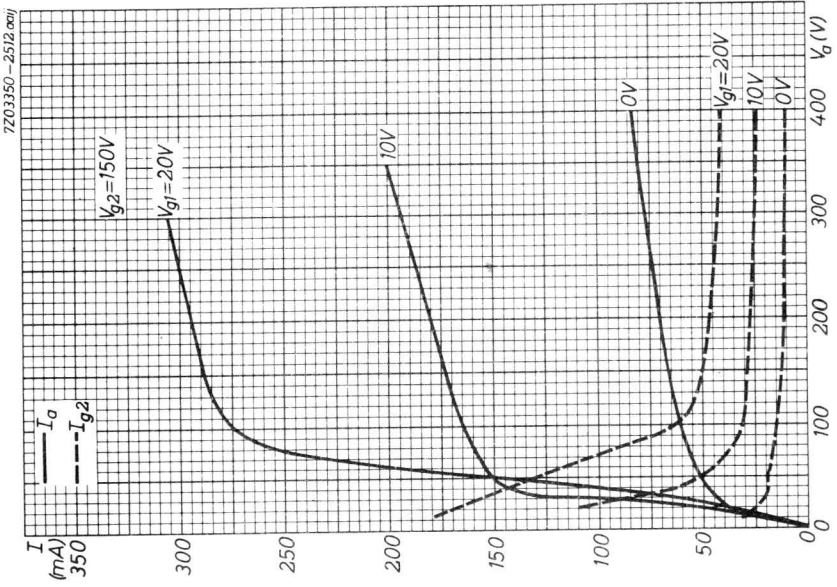
R.F. CLASS C ANODE AND SCREEN GRID MODULATION, two units in push-pull

LIMITING VALUES (Absolute limits). Intermittent service, **ICAS**

Frequency	f	max.	200	500	MHz
Anode voltage	V_a	max.	330	260	V
Grid No. 2 voltage	V_{g2}	max.	200	200	V
Grid No. 1 voltage	$-V_{g1}$	max.	150	150	V
Anode current	I_a	max.	2x56	2x56	mA
Grid No. 1 current	I_{g1}	max.	2x5	2x5	mA
Anode input power	W_{ia}	max.	40	40	W
Anode dissipation	W_a	max.	2x5.5	2x5.5	W
Grid No. 2 dissipation	W_{g2}	max.	2x1.5	2x1.5	W
Grid No. 1 circuit resistance	R_{g1}	max.	100	100	k Ω

OPERATING CONDITIONS ; intermittent service, **ICAS**

Frequency	f		175	500	MHz
Anode voltage	V_a		280	225	V
Grid No. 2 voltage	V_{g2}		150	150	V
Grid No. 1 voltage	$-V_{g1}$		35	25	V
Anode current	I_a		2x50	2x50	mA
Grid No. 2 current	I_{g2}		19	17	mA
Grid No. 1 current	I_{g1}		2x4	2x3	mA
Anode input power	W_{ia}		28	22.5	W
Anode dissipation	W_a		2x4.5	2x4.5	W
Driver output power	W_{dr}		1.5	3.0	W
Output power	W_o		19	13	W
Efficiency	η		68	58	%
Output power in load	W_l		15	10	W
Depth of modulation	m		100	100	%
Modulator output power	$W_{o \text{ mod}}$		16	12.5	W
Grid No. 2 peak modulator voltage	$V_{g2p \text{ mod}}$		120	120	V



R.F. POWER PENTODE

QUICK REFERENCE DATA

Heater voltage	V_f	=	12.6 V
Amplification factor	$\mu_{g_2g_1}$	=	6.7
Mutual conductance	S	=	6 mA/V

HEATING: indirect by A.C. or D.C.; parallel supply
Cathode oxide coated

Heater voltage	V_f	=	12.6 V
Heater current	I_f	=	1.3 A

CAPACITANCES

Grid No. 1 to all other elements except anode	C_{g_1}	=	20.5 pF
Anode to all other elements except grid No. 1	C_a	=	12 pF
Anode to grid No. 1	C_{ag_1}	=	0.1 pF

TYPICAL CHARACTERISTICS

Anode voltage	V_a	=	1000 V
Grid No. 2 voltage	V_{g_2}	=	250 V
Anode current	I_a	=	40 mA
Amplification factor	$\mu_{g_2g_1}$	=	6.7
Mutual conductance	S	=	6 mA/V

TEMPERATURE LIMITS (Absolute limits)

Bulb temperature	=	max. 300 °C
Pin seal temperature	=	max. 180 °C

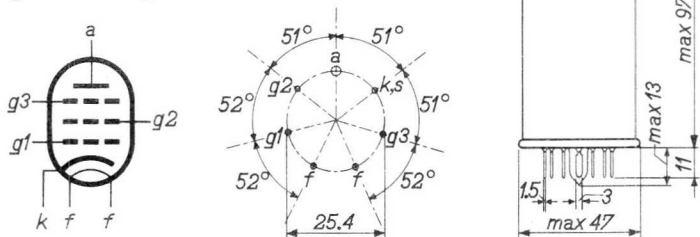
COOLING

Radiation and convection

MECHANICAL DATA

Dimensions in mm

Base : Septar
 Socket : 2422 513 00001
 Net weight : 80 g



Mounting position: any

LIMITING VALUES (Absolute limits)

Anode voltage without cathode current	V_{a0}	= max.	3 kV
Anode voltage at $W_a = 45$ W	V_a	= max.	1 kV
Anode dissipation	W_a	= max.	45 W
Positive grid No. 3 voltage	V_{g3}	= max.	200 V
Negative grid No. 3 voltage	$-V_{g3}$	= max.	200 V
Grid No. 3 dissipation	W_{g3}	= max.	1 W
Grid No. 3 circuit resistance	R_{g3}	= max.	50 k Ω
Grid No. 2 voltage without cathode current	V_{g20}	= max.	1 kV
Grid No. 2 voltage at $W_{g2} = 7$ W	V_{g2}	= max.	300 V
Grid No. 2 dissipation	W_{g2}	= max.	7 W
Negative grid No. 1 voltage	$-V_{g1}$	= max.	300 V
Grid No. 1 dissipation	W_{g1}	= max.	0.5 W
Grid No. 1 circuit resistance	R_{g1}	= max.	25 k Ω
Average cathode current	I_k	= max.	240 mA
Peak cathode current	I_{kp}	= max.	1.5 A
Cathode to heater voltage	V_{kf}	= max.	100 V
Heater voltage	V_f	= max.	13.9 V
		= min.	11.3 V

CHARACTERISTICS AND RANGE VALUES

Column I : Setting of the tube and typical (average) measuring results of new tubes

II : Characteristic range values for equipment design

III : Data indicating the end point of life

<u>Heater current</u>		I	II	III	
Heater voltage	V_f	= 12.6			V
Heater current	I_f	= 1.3	1.1-1.5	1.1-1.5	A
<u>Characteristics</u>					
Heater voltage	V_f	= 12.6			V
Anode voltage	V_a	= 100			V
Grid No.3 voltage	V_{g3}	= 0			V
Grid No.2 voltage	V_{g2}	= 250			V
Anode current	I_a	= 100			mA
Grid No.1 voltage	$-V_{g1}$	= 18	14 - 20	12 - 22	V
Grid No.2 current	I_{g2}	=	12 - 25	8 - 30	mA
Grid No.1 current	$-I_{g1}$	=		20	μ A
<u>Cut-off voltage</u>					
Heater voltage	V_f	= 12.6			V
Anode voltage	V_a	= 100			V
Grid No.3 voltage	V_{g3}	= 0			V
Grid No.2 voltage	V_{g2}	= 250			V
Anode current	I_a	= 0.2			mA
Cut-off voltage	$-V_{g1}$	=	<60	65	V
<u>Capacitances</u>					
Anode to all other elements except grid No.1	$C_a(g_1)$	= 12	11 - 13		pF
Grid No.1 to all other elements except anode	$C_{g1(a)}$	= 20.5	19 - 22		pF
Anode to grid No.1	C_{ag1}	=	<0.22		pF

CHARACTERISTICS AND RANGE VALUES (continued)

Insulation between the electrodes

A leakage current of 10 μ A is not exceeded when the following voltages, with polarity as indicated are applied to the indicated electrodes via a series resistor of 10 M Ω

		I	II	III
Grid No. 1 (-) to grids No. 2 and 3 and anode (+)	$V_{g_1(-)/a, g_2, g_3(+)}$	= 1000		550 V
Grid No. 2 (+) to grid No. 3 (-)	$V_{g_2(+)/g_3(-)}$	= 1000		550 V
Anode (+) to grid No. 3 (-)	$V_{a(+)/g_3(-)}$	= 3000		1200 V
Cathode (+) to grid No. 1 (-)	$V_{k(+)/g_1(-)}$	= 200		150 V

LIFE EXPECTANCY

3000 hours under the following conditions:

Heater voltage	V_f	= 12.6 V
Anode voltage	V_a	= 100 V
Grid No. 3 voltage	V_{g_3}	= 0 V
Grid No. 2 voltage	V_{g_2}	= 250 V
Grid No. 1 voltage	V_{g_1}	= -20 V
Grid No. 1 pulse voltage (pulse substantially square)	$V_{g_{1p}}$	= 40 V
Pulse repetition frequency	f_{imp}	= 80 Hz
Pulse duration	T_{imp}	= 8 ms

AGEING

In order to detect "early failures" and to ensure that the tubes are properly stabilised, all tubes are aged prior to testing during 200 hours under the following conditions:

Heater voltage	V_f	= 12.6 V
Anode current	I_a	= 70 mA
Anode dissipation	W_a	= 20 W
Peak anode voltage	V_{ap}	= 515 V

STAND-BY PERFORMANCE ¹⁾

After 200 hours of operation with $V_f = 14$ V only, the tubes are criticised for Cathode interface resistance $>10 \Omega$ (continuous wave method IEC Publ. 151-9, two frequency method)

LIFE PERFORMANCE ¹⁾

After 3000 hours of operation under the following conditions

Heater voltage	V_f	=	12.6	V
Anode voltage	V_a	=	100	V
Grid No.3 voltage	V_{g3}	=	0	V
Grid No.2 voltage	V_{g2}	=	250	V
Grid No.1 voltage	V_{g1}	=	-20	V
Grid No.1 pulse voltage (pulse substantially square)	V_{g1p}	=	40	V
Pulse repetition frequency	f_{imp}	=	80	Hz
Pulse duration	T_{imp}	=	8	ms

the tubes are criticised for

Inoperatives

Control grid voltage for cut-off

Control grid current

Leakage current

} See section
"Characteristics and range values".

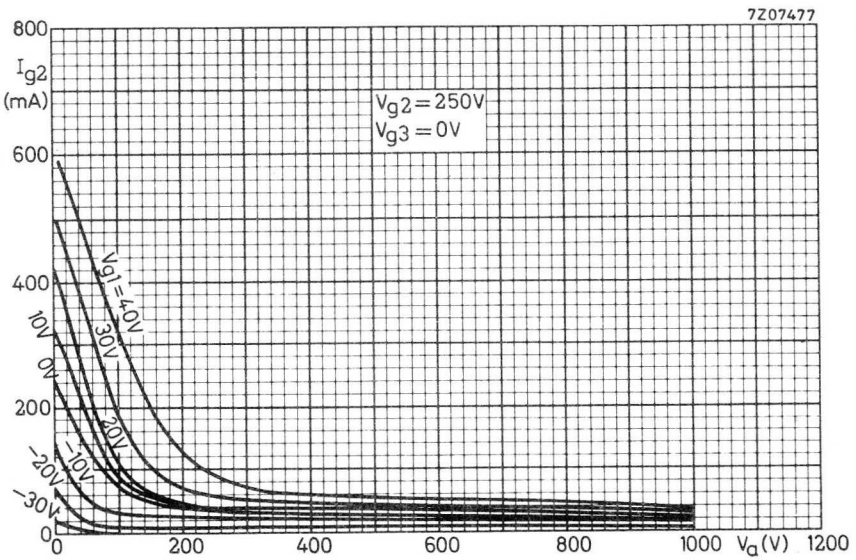
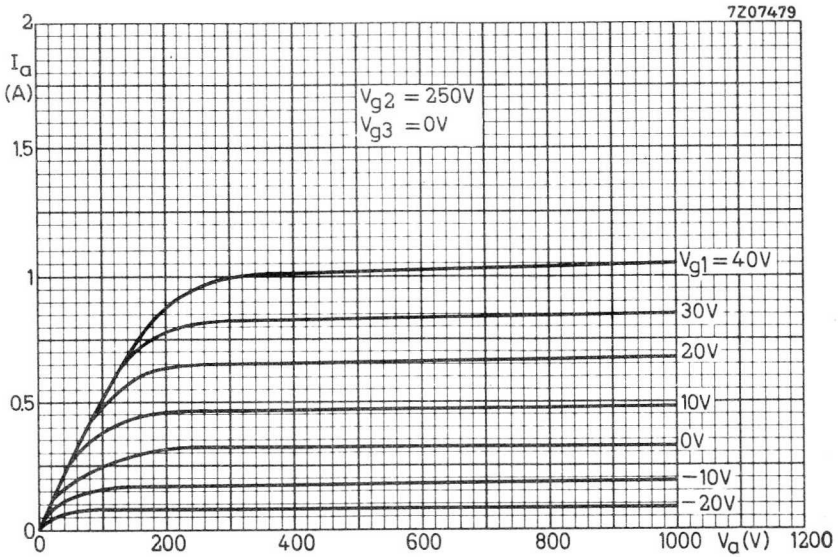
¹⁾ This test is performed on a sample taken from each production run.

VIBRATIONAL NOISE OUTPUT ¹⁾²⁾

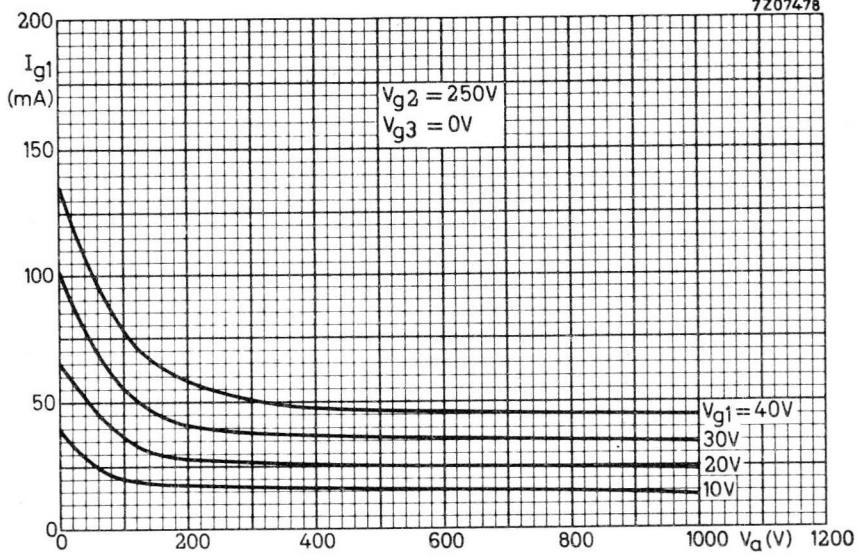
Conditions:

Anode voltage	V_a	=	100	V
Grid No. 2 voltage	V_{g_2}	=	150	V
Grid No. 3 voltage	V_{g_3}	=	0	V
Anode current	I_a	=	10	mA
Vibrational acceleration		=	10	g
Duration	T	=	60	sec in each of the three directions
Frequency	f	=	25	Hz X₁, X₂ and Y
Anode load resistance	R_a	=	2	k Ω

Limit of the vibrational noise output $V_{noise} = \max. 750 \text{ mV(RMS)}$ **FATIGUE** : 2.5 g ¹⁾²⁾Vibrational forces for a period of 32 hours at a frequency of 50 Hz in each of the three directions X₁, X₂ and Y**VIBRATION**: 5 g ¹⁾²⁾Vibrational forces for a period of 2 hours at a frequency of 25 Hz in each of the three directions X₁, X₂ and Y¹⁾ This test is performed on a sample taken from each production run.²⁾ These test conditions are only given for evaluation of the ruggedness of the tube and should by no means be interpreted as suitable operating conditions. Fatigue and vibration are destructive tests.



7Z07478



R.F. DOUBLE TETRODE

HEATING: indirect; cathode oxide coated

Heater voltage	$V_f =$	6.75 V	13.5 V
Heater current	$I_f =$	720 mA	360 mA
Pin connections		9-(4+5)	4-5

For further data and curves of this type
please refer to type QQE03/12

R.F. DOUBLE TETRODE**HEATING:** indirect; cathode oxide coated

Heater voltage	$V_f =$	6.75 V	13.5 V
Heater current	$I_f =$	560 mA	280 mA
Pin connections		9-(4+5)	4-5

For further data and curves of this type
please refer to type QQE02/5

AIR COOLED R.F. POWER TETRODE

QUICK REFERENCE DATA

Freq. (MHz)	Class B amplifier		Class AB SSB	
	V_a (V)	W_{load} (W)	V_a (V)	W_o PEP (W)
220 30	3000	1000	3000	> 1050

HEATING : indirect by a.c. or d.c.; oxide-coated cathode, matrix type

Heater voltage	V_f	5.0	$V \pm 3\%$
Heater current	I_f	18 < 20	A A
Waiting time	T_w min.	5	min

CAPACITANCES

Anode to cathode and heater	$C_{a/kf}$	< 0.08	pF
Anode to grid no.1	C_{ag1}	< 0.1	pF
Anode to grid no.2	C_{ag2}	13 to 17	pF
Grid no.1 to cathode and heater	$C_{g1/kf}$	33 to 42	pF
Grid no1 to grid no.2	C_{g1g2}	48 to 64	pF
Grid no.2 to cathode and heater	$C_{g2/kf}$	< 1.7	pF

TYPICAL CHARACTERISTICS

Anode voltage	V_a	3	kV
Grid no.2 voltage	V_{g2}	550	V
Anode current	I_a	500	mA
Transconductance	S	20	mA/V
Amplification factor	μ_{g2g1}	7.5	

TEMPERATURE LIMITS (Absolute limits)

Temperature of all seals (see also outline drawing)	t_s	max. 200 °C
Air inlet temperature	t_i	max. 45 °C

COOLING

Forced air cooling for the anode. For cooling characteristics see page 5. Low velocity air flow for the ceramic to metal seals.
Cooling will also be necessary when only the heater voltage is applied to the tube.

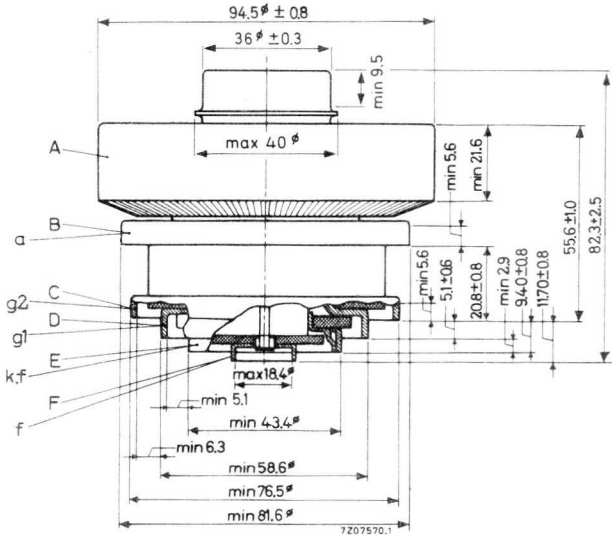
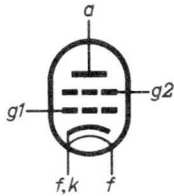
MECHANICAL DATA

Dimensions in mm

Anode connector (for frequencies < 30MHz): 40689

Socket : 40704

Net weight : 90 g



The radiator and the terminals lie inside or outside concentric cylinders with the following dimensions:

Radiator	A : inside	96.0 mm
Anode	B : inside	82.8 mm
Grid No.2 connection	C : inside	77.7 mm
Grid No.1 connection	D : inside	59.4 mm
Cathode and heater connection	E : inside	44.3 mm
Heater connection	F : outside	17.6 mm

Mounting position: any

CLASS B AMPLIFIER

LIMITING VALUES (Absolute limits)

Frequency	f	up to	220	MHz
Anode voltage	V_a	max.	3500	V
		max.	2500	V 1)
Anode input power	W_{i_a}	max.	3	kW
		max.	2	kW 1)
Anode dissipation	W_a	max.	1.5	kW
Anode current	I_a	max.	1	A
Grid No.2 voltage	V_{g_2}	max.	1000	V
Grid No.2 input power	$W_{i_{g_2}}$	max.	50	W
Grid No.2 current	I_{g_2}	max.	50	mA
	$-I_{g_2}$	max.	50	mA
Negative grid No.1 voltage	$-V_{g_1}$	max.	300	V
Grid No.1 current	I_{g_1}	max.	10	mA
Grid No.1 circuit resistance	R_{g_1}	max.	5	k Ω

OPERATING CHARACTERISTICS

Frequency	f	220	MHz
Anode voltage	V_a	3000	V
Grid No.2 voltage	V_{g_2}	450	V
Grid No.1 voltage	V_{g_1}	-60	V
Anode current	I_a	150	830 mA
Grid No.2 current	I_{g_2}	-5	-20 mA
Grid No.1 current	I_{g_1}	-	5 mA
Driver output power	W_{dr}	-	40 W
Anode input power	W_{i_a}	0.45	2.49 kW
Anode dissipation	W_a	0.45	1.35 kW
Output power in the load	W_{ℓ}	0	1.0 kW

1) For AM.

R.F. CLASS AB SINGLE SIDE BAND AMPLIFIER suppressed carrier

LIMITING VALUES (Absolute limits)

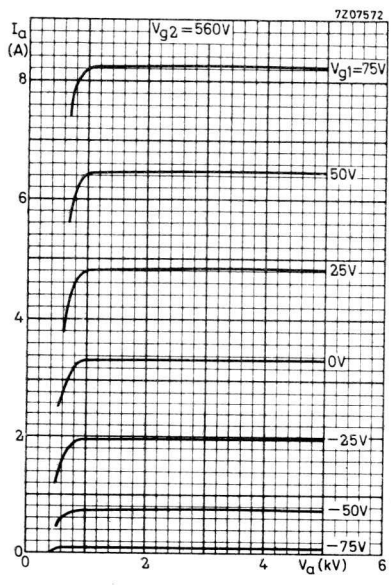
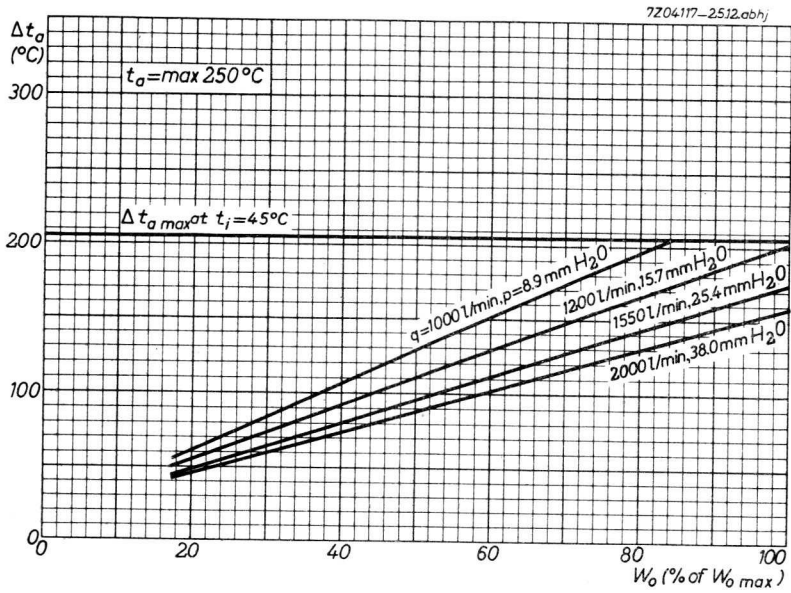
Frequency	f	up to	60	MHz
Anode voltage	V_a	max.	3.5	kV
Anode input power	W_{i_a}	max.	3.0	kW
Anode dissipation	W_a	max.	1.5	kW
Anode current	I_a	max.	1.0	A
Grid No.2 voltage	V_{g_2}	max.	1	kV
Grid No.2 dissipation	$W_{i_{g_2}}$	max.	50	W
Grid No.2 current	I_{g_2}	max.	50	mA
Negative grid No.1 voltage	$-I_{g_2}$	max.	50	mA
Grid No.1 current	$-V_{g_1}$	max.	300	V
Grid No.1 circuit resistance	I_{g_1}	max.	0	mA
	R_{g_1}	max.	5	k Ω

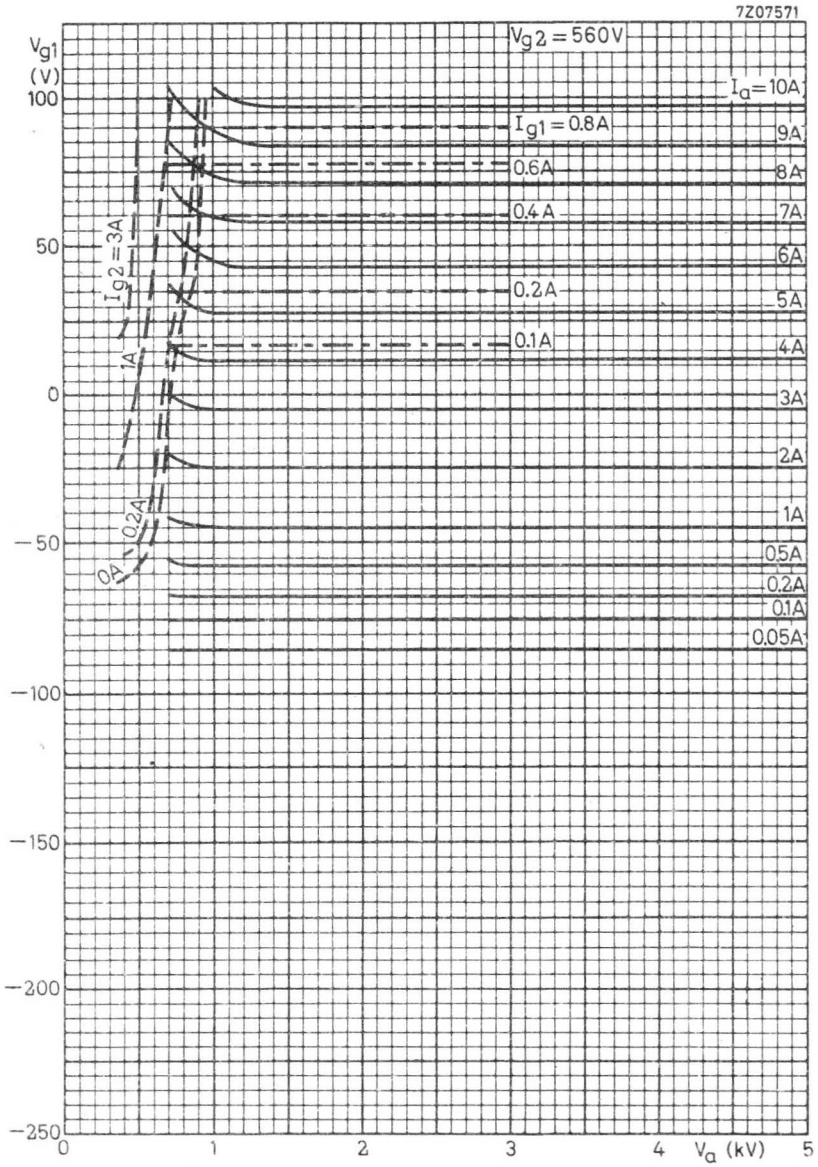
OPERATING CONDITIONS

Frequency	f	1 to 30	MHz
Anode voltage	V_a	3.0	kV
Grid No.2 voltage	V_{g_2}	560	V
Grid No.1 voltage	V_{g_1}	-55	V

		zero signal	single tone signal	double tone signal	
Peak driving voltage	$V_{g_{1p}}$	0	48 (<53)	46 (<51)	V
Anode current	I_a	380	750	570	mA
Grid No.2 current	I_{g_2}	-5	-20	-15	mA
Grid No.1 current	I_{g_1}	0	0	0	mA
Grid No.1 resistor	R_{g_1}	2	2	2	k Ω
Driver output power	W_{dr}	0	< 5	< 5	W
Anode input power	W_{i_a}	1140	2250	1710	W
Anode dissipation	W_a	1140	1080	1100	W
Output power in load	W_ℓ	0	1050	-	W
PEP output power in load	W_ℓ	0	-	1050	W
Intermodulation distortion					
1 MHz. of the 3rd order	d_3	-	-	< -38	dB ²⁾
of the 5th order	d_5	-	-	< -38	dB ²⁾
30 MHz. of the 3rd order	d_3	-	-	< -36	dB ²⁾
of the 5th order	d_5	-	-	< -36	dB ²⁾

2) Maximum values encountered at any level of drive voltage up to full drive referred to the amplitude of either of the two equal tones at that level.





R.F. DOUBLE TETRODE

Single-ended double tetrode, indirectly heated, with novar base. Designed for mobile service as class C amplifier, oscillator or frequency multiplier up to 200 MHz. The tube is internally neutralised.

QUICK REFERENCE DATA

	R.F. class C telegraphy or F.M. telephony	R.F. class C a-g ₂ modulator	R.F. class C freq. tripler
	ICAS	ICAS	ICAS
Frequency $f =$	up to 200 MHz	up to 200 MHz	up to 200 MHz
Anode voltage $V_a = \text{max.}$	450 V	360 V	450 V
Anode dissipation $W_a = \text{max.}$	2 x 10 W	2 x 6.5 W	2 x 10 W
Frequency $f =$	175 MHz	175 MHz	58/174 MHz
Output power in load $W_\ell =$	30 W	19 W	10 W

HEATING: indirect by A.C. or D.C.; cathode oxide coated

Heater voltage	$V_f =$	6.75 V	13.5 V
Heater current	$I_f =$	0.8 A	0.4 A
Pins		9-(4+5)	4-5

CAPACITANCES

Input capacitance, each system	$C_i =$	6.2 pF
Output capacitance, each system	$C_o =$	2.7 pF
Anode to grid No. 1, each system	$C_{ag1} <$	0.1 pF
Input capacitance, push-pull connection	$C_i =$	5.1 pF
Output capacitance, push-pull connection	$C_o =$	1.5 pF

TYPICAL CHARACTERISTICS

Anode current	I_a	=	30	mA
Amplification factor	$\mu_{g_2g_1}$	=	7.5	
Mutual conductance	S	=	3.3	mA/V

TEMPERATURE LIMITS (Absolute limits)

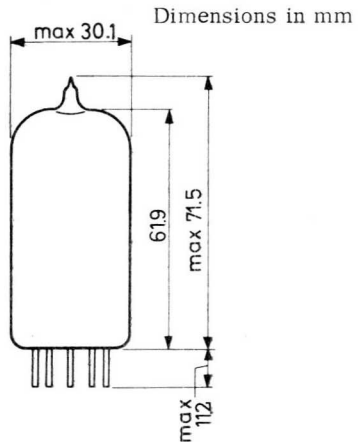
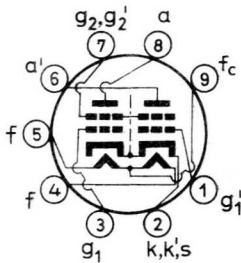
Bulb temperature	=	max. 225	°C
Pin seal temperature	=	max. 120	°C

COOLING: radiation and convection

The use of a closed tube shield is not recommended

MECHANICAL DATA

Base : Novar
 Net weight: 28.5 g



Mounting position: any

R.F. CLASS C TELEGRAPHY OR F.M. TELEPHONY

LIMITING VALUES (Each system; absolute limits)

Frequency	f	CCS		ICAS	
		up to	200	up to	200 MHz
Anode voltage	V_a	=	max. 400	max. 450	V
Anode current	I_a	=	max. 45	max. 55	mA
Anode input power	W_{ia}	=	max. 18	max. 25	W
Anode dissipation	W_a	=	max. 7.5	max. 10	W
Grid No.2 voltage	V_{g2}	=	max. 200	max. 200	V
Grid No.2 dissipation	W_{g2}	=	max. 1	max. 1	W
Negative grid No.1 voltage	$-V_{g1}$	=	max. 150	max. 150	V
Grid No.1 current	I_{g1}	=	max. 3	max. 4	mA
Grid No.1 dissipation	W_{g1}	=	max. 0.2	max. 0.2	W
Heater to cathode voltage	V_{kf}	=	max. 100	max. 100	V

OPERATING CONDITIONS; two systems in push-pull

Frequency	f	=	CCS	ICAS	ICAS	MHz
			175	175	175	
Anode voltage	V_a	=	400	400	450	V
Grid No.2 voltage	V_{g2}	=	180	190	190	V
Grid No.1 voltage	V_{g1}	=	-50	-50	-50	V
Grid No.1 resistor	R_{g1}	=	31	28	26	k Ω
Anode current	I_a	=	2x45	2x55	2x55	mA
Grid No.2 current	$I_{g2+g2'}$	=	3.8	5.0	4.5	mA
Grid No.1 current	I_{g1}	=	2x0.8	2x0.9	2x0.95	mA
Grid No.2 dissipation	$W_{g2+g2'}$	=	0.68	0.95	0.85	W
Driving power	W_{dr}	=	1.0	1.1	1.2	W
Output power in the load	W_{ℓ}	=	21	26.5	30	W
Overall efficiency	η	=	58	60	61	%

R.F. CLASS C ANODE AND SCREEN GRID MODULATION. Grid No.3 modulated by a tertiary winding with a number of turns equal to 44% of that of the anode winding.

LIMITING VALUES (Each system; absolute limits)

Frequency	f	CCS		ICAS	
		up to	200	up to	200 MHz
Anode voltage	V_a	= max.	320	max.	360 V
Anode current	I_a	= max.	37.5	max.	46 mA
Anode input power	W_{ia}	= max.	12	max.	16.5 W
Anode dissipation	W_a	= max.	5.0	max.	6.5 W
Grid No.2 voltage	V_{g2}	= max.	200	max.	200 V
Grid No.2 dissipation	W_{g2}	= max.	0.65	max.	0.65 W
Negative grid No.1 voltage	$-V_{g1}$	= max.	150	max.	150 V
Grid No.1 current	I_{g1}	= max.	3	max.	4 mA
Heater to cathode voltage	V_{kf}	= max.	100	max.	100 V

OPERATING CONDITIONS; two systems in push-pull

Frequency	f	CCS		ICAS	
Frequency	f	=	175	175	MHz
Anode voltage	V_a	=	320	360	V
Grid No.2 voltage	V_{g2}	=	140	160	V
Grid No.1 voltage	V_{g1}	=	-20	-25	V
Anode current	I_a	=	2x37.5	2x46	mA
Grid No.2 current	$I_{g2+g2'}$	=	5.0	6.0	mA
Grid No.1 current	I_{g1}	=	2x1.25	2x1.5	mA
Grid No.2 dissipation	$W_{g2+g2'}$	=	0.7	1.0	W
Driving power	W_{dr}	=	2.0	2.5	W
Output power in the load	W_{ℓ}	=	13.5	19	W ¹⁾
Overall efficiency	η	=	56	57	%
Modulation depth	m	=	100	100	%
Modulation power	W_{mod}	=	12.5	17	W

¹⁾ Measured in a circuit having an efficiency of 80%.

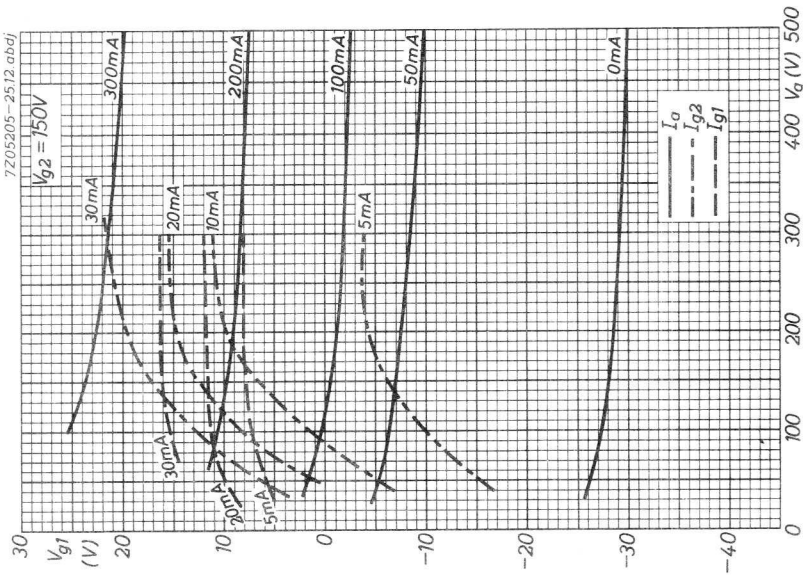
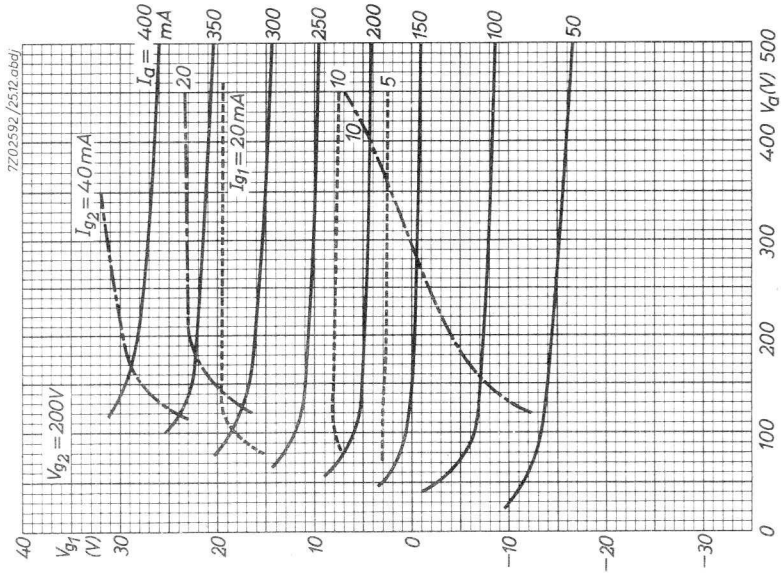
R.F. CLASS C FREQUENCY TRIPLER

LIMITING VALUES (Each system; absolute limits)

Frequency	f	CCS	ICAS
		up to 200	up to 200 MHz
Anode voltage	V_a	= max. 400	max. 450 V
Anode current	I_a	= max. 30	max. 44 mA
Anode input power	W_{ia}	= max. 11	max. 15 W
Anode dissipation	W_a	= max. 7.5	max. 10 W
Grid No.2 voltage	V_{g2}	= max. 200	max. 200 V
Grid No.2 dissipation	W_{g2}	= max. 1	max. 1 W
Negative grid No.1 voltage	$-V_{g1}$	= max. 150	max. 150 V
Grid No.1 current	I_{g1}	= max. 2	max. 3 mA
Heater to cathode voltage	V_{kf}	= max. 100	max. 100 V

OPERATING CONDITIONS ; two systems in push-pull

		ICAS
Frequency	f	= 58/174 MHz
Anode voltage	V_a	= 350 V
Grid No.2 voltage	V_{g2}	= 165 V
Grid No.1 voltage	V_{g1}	= -150 V
Grid No.1 resistor	R_{g1}	= 34 k Ω
Anode current	I_a	= 2x43 mA
Grid No.2 current	$I_{g2+g2'}$	= 5.0 mA
Grid No.1 current	I_{g1}	= 2x2.2 mA
Driving power	W_{dr}	= 2.0 W
Output power in the load	W_l	= 10 W
Overall efficiency	η	= 33 %



R.F. BEAM POWER TETRODE

Indirectly heated beam power tetrode designed for use as R.F. power amplifier, oscillator, frequency multiplier and A.F. amplifier or modulator for fixed or mobile equipment.

QUICK REFERENCE DATA			
Freq. (MHz)	R.F. class C telegraphy		
	V_a (V)	W_o (W)	
		CCS	ICAS
75	550	52	58.5
	600		
175	400	38	46
	450	38	
	500		
250	400		32

HEATING: indirect by A.C. or D.C.; cathode oxide coated

Heater voltage	V_f	=	6.75 V	13.5 V
Heater current	I_f	=	1.2 A	0.6 A
Pins			3-(6+7)	6-7

CAPACITANCES

Grid No.1 to all other elements except anode	C_{g1}	=	11.5 pF
Anode to all other elements except grid No.1	C_a	=	5.0 pF

TYPICAL CHARACTERISTICS

Anode current	I_a	=	80 mA
Amplification factor	μ_{g2g1}	=	8
Mutual conductance	S	=	7 mA/V

TEMPERATURE LIMITS (Absolute limits)

Bulb temperature = max. 250 °C

Seal temperature = max. 230 °C

MECHANICAL DATA

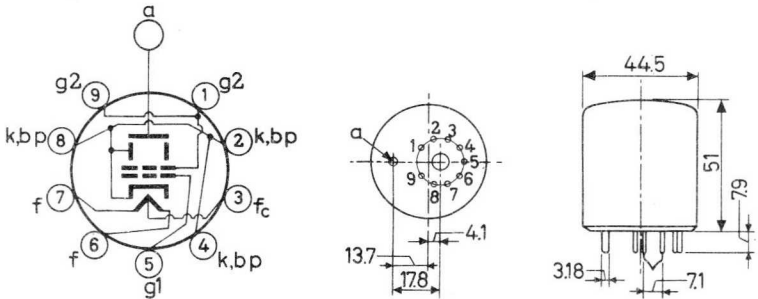
Dimensions in mm

Base : Magnoval

The anode pin is brought out through the base separated from the magnoval pin circle for convenient under-chassis circuitry.

Socket : 40685

Net weight: 36 g



Mounting position: any

R.F. AMPLIFIER AND OSCILLATOR, CLASS C TELEGRAPHY

CCS Continuous service

LIMITING VALUES (Absolute limits)

Frequency	f	up to 75	up to 175	MHz
Anode voltage	V_a	= max. 550	max. 450	V
Anode current	I_a	= max. 150	max. 150	mA
Anode input power	W_{ia}	= max. 75	max. 60	W
Anode dissipation	W_a	= max. 25	max. 25	W
Grid No.2 voltage	V_{g2}	= max. 300	max. 300	V
Grid No.2 input power	W_{ig2}	= max. 4	max. 4	W
Negative grid No.1 voltage	$-V_{g1}$	= max. 200	max. 200	V
Grid No.1 circuit resistance				
with fixed bias	R_{g1}	= max. 50	max. 50	k Ω
with automatic bias	R_{g1}	= max. 100	max. 100	k Ω
Cathode current	I_k	= max. 165	max. 165	mA
Heater to cathode voltage (any polarity)	V_{kf}	= max. 100	max. 100	V

OPERATING CONDITIONS CCS Continuous service

Frequency	f	= 75	175	175	MHz
Anode voltage	V_a	= 550	450	400	V
Grid No.2 voltage	V_{g2}	= 235	250	230	V
Grid No.1 voltage	V_{g1}	= -50	-55	-51	V
Grid No.1 resistor	R_{g1}	= 10	21	11	k Ω
Anode current	I_a	= 136	134	150	mA
Grid No.2 current	I_{g2}	= 11	11	10	mA
Grid No.1 current	I_{g1}	= 5.0	2.6	4.6	mA
Driving power	W_{dr}	= 0.5	1.5	1.5	W
Anode input power	W_{ia}	= 75	60	60	W
Output power in the load	W_l	= 52	38	38	W
Overall efficiency	η	= 69	63.5	63.5	%

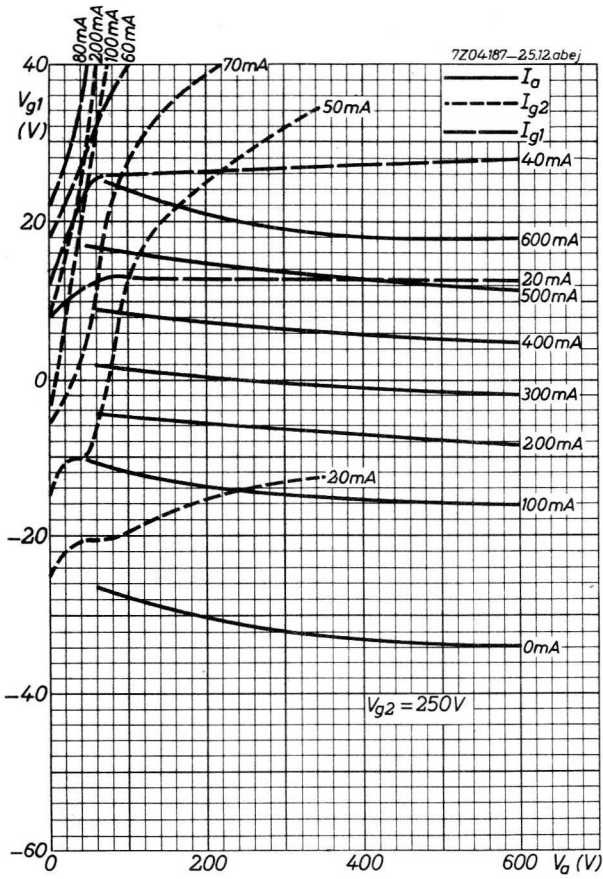
R.F. AMPLIFIER AND OSCILLATOR, CLASS C TELEGRAPHY

ICAS Intermittent service**LIMITING VALUES** (Absolute limits)

Frequency	f	up to	75	175	250	MHz
Anode voltage	V_a	= max.	600	500	400	V
Anode current	I_a	= max.	150	150	150	mA
Anode input power	W_{ia}	= max.	90	75	60	W
Anode dissipation	W_a	= max.	30	30	30	W
Grid No.2 voltage	V_{g2}	= max.	300	300	300	V
Grid No.2 input power	W_{ig2}	= max.	4	4	4	W
Negative grid No.1 voltage	$-V_{g1}$	= max.	200	200	200	V
Grid No.1 circuit resistance						
with fixed bias	R_{g1}	= max.	50	50	50	k Ω
with automatic bias	R_{g1}	= max.	100	100	100	k Ω
Cathode current	I_k	= max.	165	165	165	mA
Heater to cathode voltage (any polarity)	V_{kf}	= max.	100	100	100	V

OPERATING CONDITIONS **ICAS** Intermittent service

Frequency	f	=	75	175	250	MHz
Anode voltage	V_a	=	600	500	400	V
Grid No.2 voltage	V_{g2}	=	255	225	235	V
Grid No.1 voltage	V_{g1}	=	-50	-55	-54	V
Grid No.1 resistor	R_{g1}	=	10	11	11	k Ω
Anode current	I_a	=	150	150	150	mA
Grid No.2 current	I_{g2}	=	10	10	4	mA
Grid No.1 current	I_{g1}	=	5.0	5.0	4.9	mA
Driving power	W_{dr}	=	0.7	1.5	2.0	W
Anode input power	W_{ia}	=	90	75	60	W
Output power in the load	W_{ℓ}	=	58.5	46	32	W
Overall efficiency	η	=	65	61.5	53.5	%



R.F. BEAM POWER TETRODE

HEATING: indirect; cathode oxide coated

Heater voltage

$V_f = 19 \text{ V}$

Heater current

$I_f = 2.3 \text{ A} \leftarrow$

For further data and curves of this type
please refer to type QE08/200

HEATSINK COOLED R.F. POWER TETRODE

QUICK REFERENCE DATA		
Frequency (MHz)	Class C telegraphy	
	V_a (V)	W_o (W)
175	2000	270
470	800	100

HEATING: indirect by AC or DC; cathode oxide coated

Heater voltage	V_f	=	6.0 V
Heater current	I_f	=	2.6 A
Waiting time	T_w	=	min. 30 sec

At frequencies between 400 MHz and 500 MHz the heater voltage should be reduced to 5.0 V.

CAPACITANCES

Anode to all except grid No.1	C_a	=	4.5 pF
Grid No.1 to all except anode	C_{g1}	=	15.7 pF
Anode to grid No.1	C_{ag1}	=	0.03 pF

TYPICAL CHARACTERISTICS

Anode and grid No.2 voltage (interconnected)	$V_a = V_{g2}$	=	300 V
Cathode current	I_k	=	50 mA
Amplification factor	μ_{g2g1}	=	5.2

TEMPERATURE LIMITS (Absolute limits)

Temperature of all seals	t_s	=	max. 250 °C
--------------------------	-------	---	-------------

COOLING DATA

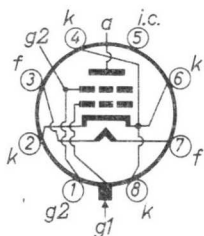
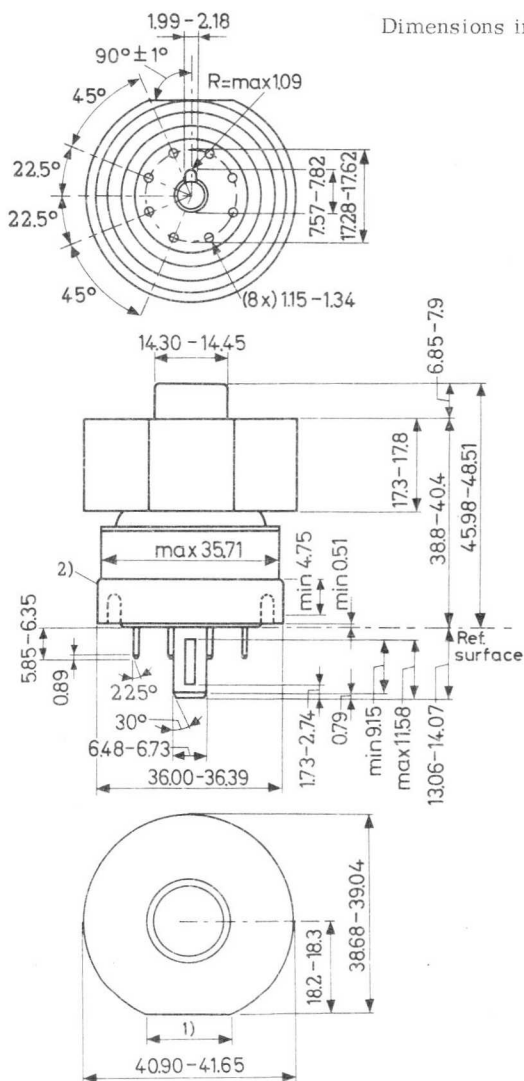
Thermal contact area		=	3.2 cm ²
Thermal resistance from seal to thermal contact area	R_{th}	=	0.03 °C/W

See also operating notes

MECHANICAL DATA

Net weight: 230 g

Dimensions in mm



Mounting position: any

1) Heat sink contact area

2) Grid No.2 contact

R.F. CLASS C TELEGRAPHY or F.M. TELEPHONY

LIMITING VALUES (Absolute limits)

Frequency	f	up to	500	MHz
Anode voltage	V_a	= max.	2000	V
Anode input power	W_{i_a}	= max.	500	W
Anode dissipation		See operating notes		
Anode current	I_a	= max.	250	mA
Grid No.2 voltage	V_{g_2}	= max.	300	V
Grid No.2 dissipation	W_{g_2}	= max.	12	W
Negative grid No.1 voltage	$-V_{g_1}$	= max.	250	V
Grid No.1 dissipation	W_{g_1}	= max.	2	W

OPERATING CONDITIONS

Frequency	f	=	175	470 ¹⁾ MHz
Anode voltage	V_a	=	2000	800 V
Grid No.2 voltage	V_{g_2}	=	200	2) V
Grid No.1 voltage	V_{g_1}	=	-90	-60 V
Anode current	I_a	=	250	250 mA
Grid No.2 current	I_{g_2}	=	8	-4 to +10 mA
Grid No.1 current	I_{g_1}	=	16	3 mA
Grid No.1 driving voltage	$V_{g_{1p}}$	=	112	2) V
Driving power	W_{dr}	=	4	11 W
Anode input power	W_{i_a}	=	400	200 W
Output power	W_o	=	270	100 W
Efficiency	η	=	67.5	50 %

1) V_f should be reduced to 5.0 V at $f = 470$ MHz

2) To be adjusted for operating conditions

OPERATING NOTES

Heatsink or conduction cooling

Through the properties of beryllia (beryllium oxide), it is possible to remove heat directly from the anode of a tube to a safe point or "sink" while still maintaining the electrical insulation between the anode and the "sink", which is usually grounded. The path between the anode of the tube and the point of dissipation is known as a thermal system. This includes the anode of the tube, the beryllia insulating material, and the heatsink, plus all thermal compounds used to reduce the heat resistance between these parts. Consequently it is evident that a conduction cooled tube does not have an anode dissipation rating by itself. Only the entire thermal system has a dissipation rating. The purpose of this note is to assist in the understanding of the thermodynamics involved in a system of this type.

Thermal considerations

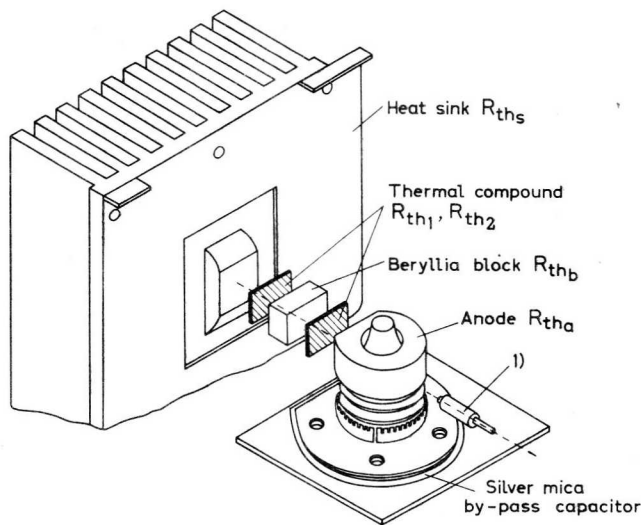
Page A shows a set of curves relating anode dissipation and ambient temperature to the maximum thermal resistance that will permit operation within the maximum allowable seal temperature. It is assumed that the equipment designer knows the anode power that must be dissipated (from circuit efficiencies) and the maximum ambient temperature in which his equipment must function. The problem is simply to devise a thermal circuit whose total thermal resistance is not more than that allowed. In order to determine the maximum thermal resistance of the system, the following equation may be used:

$$R_{th \max} = \frac{t_{s \max} - t_{amb}}{W_d} \quad (1)$$

where $t_{s \max}$ = max. seal temperature (°C)
 t_{amb} = ambient temperature (°C)
 W_d = power to be dissipated (W)

The graphs on page A illustrate a plot of this equation assuming the maximum seal temperature to be 250 °C. To use these graphs all that need be known is the maximum occurring anode dissipation and the ambient temperature.

As an example, suppose we wish to dissipate 100 W at an ambient temperature of 50 °C and a maximum allowable seal temperature of 250 °C. Through the use of either equation (1) or the curves of page A we see that the maximum allowable thermal resistance is 2.0 °C/W.



According to the figure above the entire cooling system may be considered as the series circuit of a number of components, viz.:

The anode with a thermal resistance R_{th_a} ,

the compound, if used, between anode and beryllia block with thermal resistance R_{th_1} ,

the beryllia block with thermal resistance R_{th_b} ,

the compound between the beryllia block and the heat sink with thermal resistance R_{th_2}

and the heatsink with thermal resistance R_{th_s} .

The total thermal resistance of these components must be less than the maximum allowable thermal resistance $R_{th_{max}}$ of the entire system. This can be summarized in the following equation:

$$R_{th_a} + R_{th_1} + R_{th_b} + R_{th_2} + R_{th_s} \leq R_{th_{max}} \quad (2)$$

¹⁾ In order to assure a good thermal connection to the heat sink, it is necessary to apply a force of approximately 11.5 kg to the side of the tube opposite the heat sink. The method shown uses a small ceramic cylinder to apply this pressure while maintaining the high voltage insulation necessary for proper operation.

The thermal resistance of the beryllia block and the compounds may be calculated from

$$R_{th_x} = \frac{\text{thickness}}{\text{standard thickness}} \times \frac{\text{standard area}}{\text{area}} \times R_{th} \quad (3)$$

where R_{th_x} is either R_{th_b} or R_{th_l} or R_{th_2}

and R_{th} is the specific thermal resistance of the material involved.

The specific thermal resistance of a number of materials is given in table 1.

The standard thickness in this table is taken as 1 cm for cubes and as 0.001 cm for films; the standard area for cubes as well as for films is 1 cm². The same values should be used for the standard thickness and the standard area in formula (3).

For the thermal resistance of a beryllia block of 3.2 cm² x 4.45 cm is found in this way:

$$R_{th_b} = \frac{4.45}{1} \times \frac{1}{3.2} \times 0.635 = 0.88 \text{ } ^\circ\text{C/W.}$$

The value of R_{th_a} is given in the data sheets as 0.03 °C/W.

Assuming a value of 0.2 °C/W for the sum of R_{th_l} and R_{th_2} and the previous found value of 2.0 °C/W for $R_{th_{max}}$, equation (2) yields:

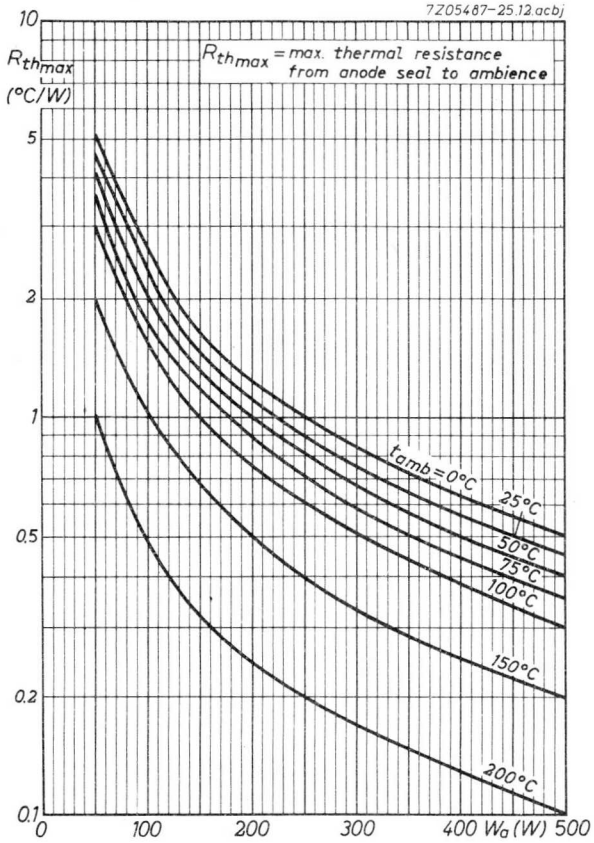
$$0.03 + 0.2 + 0.88 + R_{th_s} \leq 2.0$$

thus leaving for R_{th_s} a value of max. 0.89 °C/W.

With this figure a convenient heat sink can be selected from standard heat sink catalogues.

Table 1. Approximate thermal resistance R_{th} of typical materials

Films 0.001 cm x 1 cm ²		Cubes 1 cm x 1 cm ²	
Item	°C/W	Item	°C/W
Wakefield	0.127	Copper	0.28
Mica	0.254	Aluminium	0.51
Silicone	0.51	Beryllia	0.635
Mylar	0.61	Brass	0.89
Air (still)	3.1	Molybdenum	1.02
		Alumina	3.56



AIR COOLED R.F. POWER TETRODE

Forced air cooled beam power tetrode in ceramic-metal construction intended for use in Class AB audio or R.F. amplifier service.

QUICK REFERENCE DATA				
Freq. (MHz)	S.S.B.		AB Mod.	
	V _a (V)	W _o (W)	V _a (V)	W _o (W) ¹⁾
30	2200	318		
A.F.			2200	770
			1000	190

HEATING: indirect; oxide coated cathode

Heater voltage	V _f	6.0	V
Heater current	I _f	3.2	A
Waiting time	T _w	min. 30	s

CAPACITANCES

Grounded cathode

Grid No.1 to all except anode	C _{g1(a)}	24.2	pF
Anode to all except grid No.1	C _{a(g1)}	5.5	pF
Anode to grid No.1	C _{ag1}	0.05	pF

Grounded grid

Input	C _{kf(a)}	19.9	pF
Output	C _{a(kf)}	5.5	pF
Anode to cathode	C _{a/kf}	0.01	pF

TYPICAL CHARACTERISTICS

Anode voltage	V _a	2200	V
Grid No.2 voltage	V _{g2}	400	V
Anode current	I _a	150	mA
Transconductance	S	22	mA/V
Amplification factor	μ _{g2g1}	13	

TEMPERATURE LIMITS (Absolute max. rating system)

Temperature of all seals	t _s	max.	250	°C
Temperature of anode core	t _a	max.	250	°C

¹⁾ Two tubes

COOLING: Forced air

Above dissipation	Height above sea level	Inlet temperature	Min. required air flow	Pressure drop
W_a (W)	h (m)	t_i (°C)	q min. (m ³ /min.)	P_i (mm H ₂ O)
250	0	50	0.15	15.5
300	0	50	0.19	23
350	0	50	0.22	31
250	3000	50	0.22	22
300	3000	50	0.27	32
350	3000	50	0.34	48

→ ACCESSORIES

Air system socket
Air system chimney

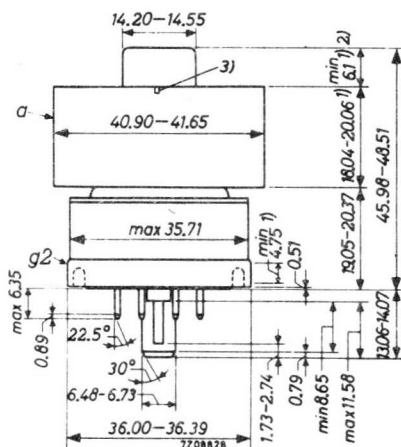
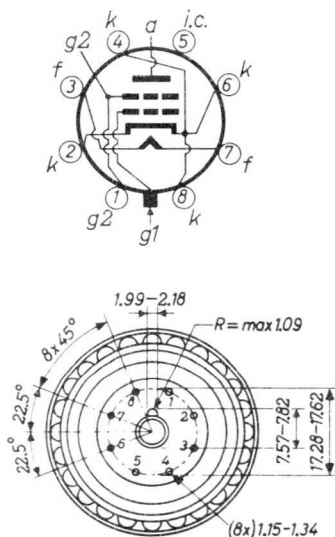
Johnson 124-110-1
Johnson 124-111-1 or equivalent

MECHANICAL DATA

Dimensions in mm

Net weight: 120 g

Mounting position: any



1) Contact surface

2) Use this contact surface for frequencies up to 30 MHz only

3) Index aligned with grid No. 1 guide lug

A.F. CLASS AB AMPLIFIER AND MODULATOR

LIMITING VALUES (Absolute max. rating system)

Anode voltage	V_a	max.	2500	V
Anode current	I_a	max.	300	mA
Anode dissipation	W_a	max.	350	W
Grid No.2 voltage	V_{g2}	max.	400	V
Grid No.2 dissipation	W_{g2}	max.	8	W
Grid No.1 voltage	$-V_{g1}$	max.	250	V
Grid No.1 current	I_{g1}	max.	2	mA
Cathode to heater voltage, peak	V_{kfp}	max.	150	V

OPERATING CONDITIONS two tubes in push-pull

Anode voltage	V_a	1000	1500	2200	V			
Grid No.2 voltage	V_{g2}	400	400	400	V			
Grid No.1 voltage	V_{g1}	-27	-27	-27	V ¹⁾			
Load resistance	R_{aa}	2600	5000	7800	Ω			
Driving voltage, peak	V_{g1p}	0 21		0 21 0 50		V		
Anode current	I_a	2x100	2x260	2x100	2x265	2x100	2x290	mA
Grid No.2 current	I_{g2}	-	2x -4	-	2x -5	-	2x -3	mA
Driving power	W_{dr}	-	0	-	0	-	0	
Anode input power	W_{ia}	2x100	2x260	2x150	2x400	2x220	2x640	W
Output power	W_o	0	190	0	400	0 ¹⁾	770	W

¹⁾ To be adjusted for zero signal anode current.

R.F. SINGLE SIDE BAND AMPLIFIER

LIMITING VALUES (Absolute max. rating system)

Frequency	f	up to	175	MHz
Anode voltage	V_a	max.	2500	V
Anode current	I_a	max.	300	mA
Anode dissipation	W_a	max.	350	W
Grid No.2 voltage	V_{g2}	max.	400	V
Grid No.2 dissipation	W_{g2}	max.	8	W
Grid No.1 voltage	$-V_{g1}$	max.	250	V
Grid No.1 current	I_{g1}	max.	2	mA
Cathode to heater voltage, peak	V_{kfp}	max.	150	V

OPERATING CONDITIONS

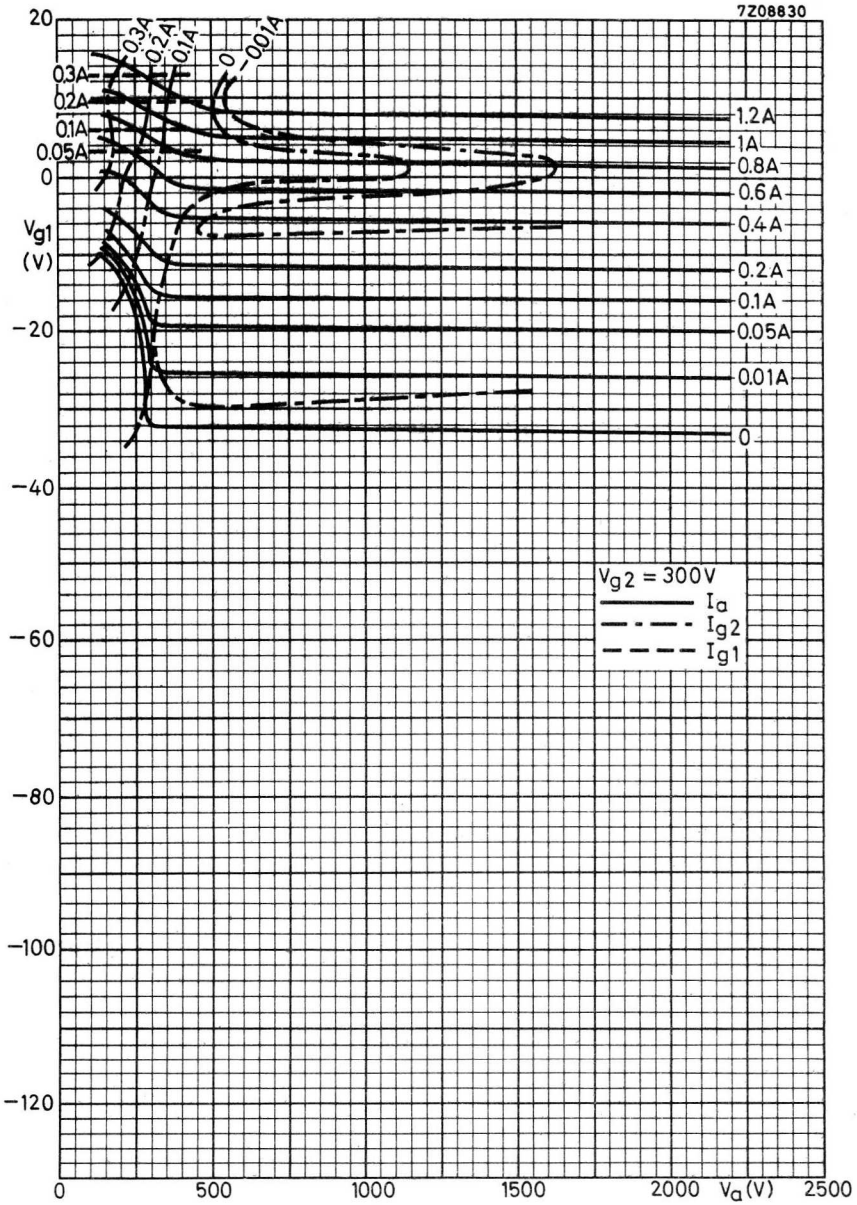
Frequency	f	30	MHz
Anode voltage	V_a	2200	V
Grid No.2 voltage	V_{g2}	300	V
Grid No.1 voltage	V_{g1}	-20	V ¹⁾
Load resistance	$R_{a\sim}$	6000	Ω

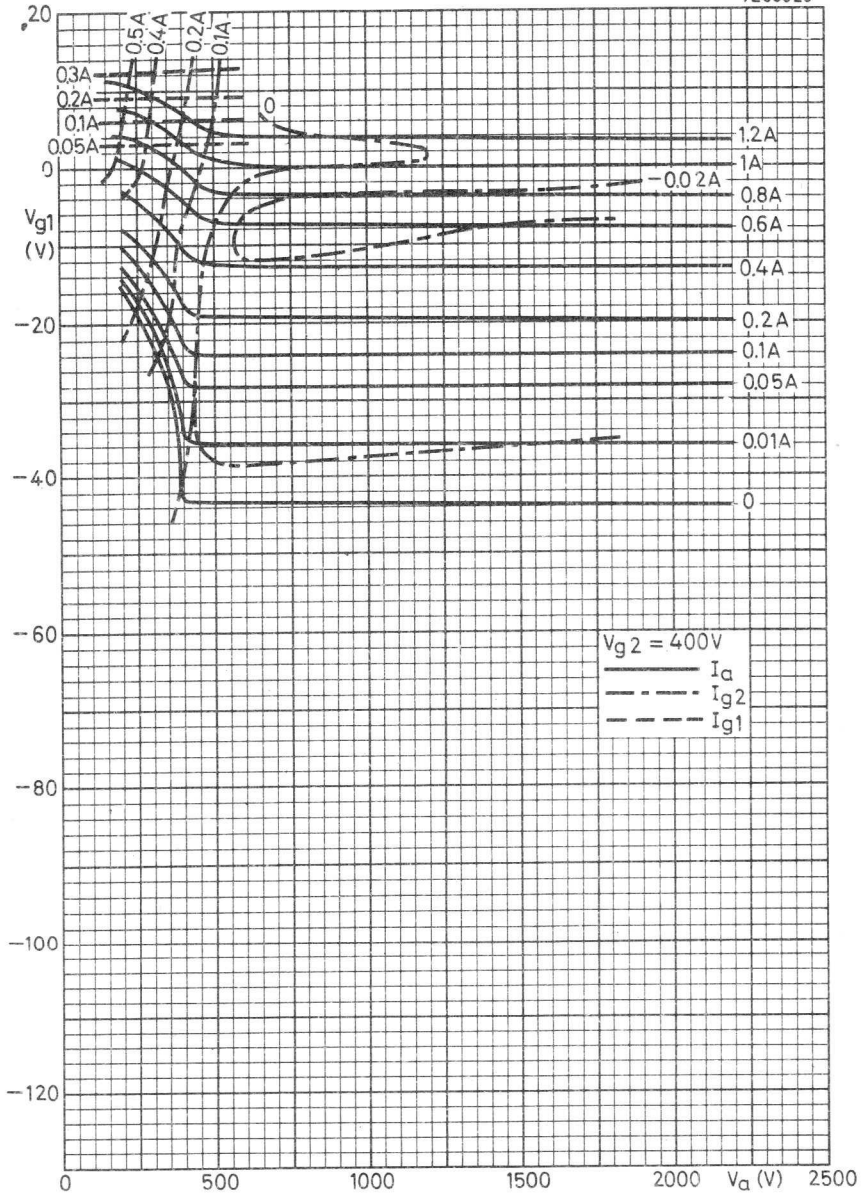
		zero signal	single tone	double tone	
Driving voltage, peak	V_{g1p}	0	18	18	V
Anode current	I_a	100	215	167	mA
Grid No.2 current	I_{g2}	-	-2.5	-6	mA
Grid No.1 current	I_{g1}	0	0	0	mA
Anode input power	W_{ia}	220	473	430	W
Output power in the load	$W_l(PEP)$	0	318	318	W ²⁾
Intermodulation distortion					
of the 3 ^d order	d3			29	dB ³⁾
of the 5 th order	d5			30	dB ³⁾

¹⁾ To be adjusted for zero signal anode current.

²⁾ Measured in a typical circuit having an efficiency of 85%.

³⁾ Maximum values encountered at any level of drive voltage up to full drive referred to the amplitude of either of the two equal tones at that level.





AIR COOLED R.F. POWER TETRODE

Forced air cooled beam power tetrode in ceramic-metal construction intended for use in Class AB audio or R.F. amplifier service.

HEATING: Indirect; oxide coated cathode

Heater voltage	V_f	26.5 V
Heater current	I_f	730 mA
Waiting time	T_w	min. 30 s

For further data please refer to type YL1340

R.F. DOUBLE TETRODE**HEATING:** Indirect; cathode oxide-coated

Heater voltage

 $V_f = 13.5 \text{ V}$

Heater current

 $I_f = 280 \text{ mA}$

Pin connections

1-8

For further data and curves of this type
please refer to type QQE04/5



R.F. BEAM POWER TETRODE

R.F. Beam power tetrode intended for use as R.F. power amplifier, oscillator, A.F. power amplifier and modulator in both mobile and fixed equipment.

QUICK REFERENCE DATA

C telegr.				C _{ag2} mod.			Class AB SSB			
Freq. (MHz)	V _a (V)	W _o (W)		V _a (V)	W _o (W)		Freq. (MHz)	V _a (V)	W _o PEP (W)	
		CCS	ICAS		CCS	ICAS			CCS	ICAS
60	750		85	600		62	30	750		61
60	600	63		475	42		30	600	49	
175	400		40							
175	320	29								

A.F. class AB 1)2)			A.F. class AB 1)3)		
V _a (V)	W _o (W)		V _a (V)	W _o (W)	
	CCS	ICAS		CCS	ICAS
750		124	750		150
600	96		600	110	130
			500	100	

HEATING: indirect by A.C., or D.C.; cathode oxide-coated

Heater voltage V_f 6.3 V

Heater current at $V_f = 6.3$ V I_f 1.125 A

Cathode heating time T_h min. 60 s

See "Special performance data" for heater operation in stationary and mobile equipment.

1) Two tubes

2) Without grid current

3) With grid current

CAPACITANCES

Grid No. 1 to all except anode	$C_{g1(a)}$	13.0 pF
Anode to all except grid No. 1	$C_{a(g1)}$	8.5 pF
Anode to grid No. 1	C_{ag1}	< 0.22 pF

TYPICAL CHARACTERISTICS

Anode voltage	V_a	200 V
Grid No. 2 voltage	V_{g2}	200 V
Anode current	I_a	100 mA
Transconductance	S	7 mA/V
Amplification factor	μ_{g2g1}	4.5 -

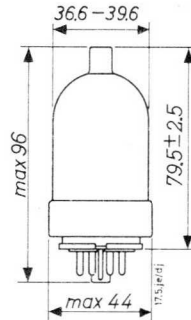
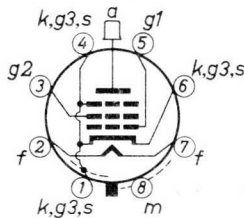
MECHANICAL DATA

Dimensions in mm

Base: octal 8 pin

Socket: 2422 501 03001

Net weight: 65 g



Mounting position: any

TEMPERATURE LIMIT (Absolute limit)

Bulb temperature t_{bulb} max. 260 °C

R.F. CLASS C TELEGRAPHY AND FM TELEPHONY

LIMITING VALUES (Absolute max. rating system)

(For maximum anode voltage and maximum anode input power at $f > 60$ MHz see page 18).

		C.C.S.		I.C.A.S.	
			up to 60		MHz
Frequency	f				
Anode voltage	V_a	max. 600	max. 750	V	
Anode input power	W_{i_a}	max. 90	max. 120	W	
Anode dissipation	W_a	max. 27	max. 35	W	
Anode current	I_a	max. 175	max. 220	mA	
Grid No.2 voltage	V_{g_2}	max. 250	max. 250	V	
Grid No.2 dissipation	W_{g_2}	max. 3	max. 3	W	
Grid No.1 voltage	$-V_{g_1}$	max. 150	max. 150	V	
Grid No.1 current	I_{g_1}	max. 3.5	max. 4	mA	
Cathode to heater voltage, peak	V_{kfp}	max. 135	max. 135	V	
Grid No.1 circuit resistance	R_{g_1}	max. 30	max. 30	$k\Omega$ ¹⁾	

OPERATING CONDITIONS

		C.C.S.		I.C.A.S.	
			up to 60		MHz
Frequency	f				
Anode voltage	V_a	600	750	V	
Grid No.2 voltage	V_{g_2}	200	200	V ²⁾	
Grid No.1 voltage	V_{g_1}	-70	-77	V ³⁾	
Grid No.1 resistor	R_{g_1}	24	28	$k\Omega$	
Grid No.1 current	I_{g_1}	2.8	2.7	mA	
Grid No.1 driving voltage	V_{g_1p}	90	95	V	
Driving power	W_{dr}	0.3	0.3	W	
Anode current	I_a	150	160	mA	
Grid No.2 current	I_{g_2}	10	10	mA	
Anode input power	W_{i_a}	90	120	W	
Anode dissipation	W_a	27	35	W	
Output power	W_o	63	85	W	
Efficiency	η	70	71	%	

Notes see page 11

R.F. CLASS C TELEGRAPHY AND FM TELEPHONY

OPERATING CONDITIONS(continued)

Frequency	f	up to	175	MH
Anode voltage	V_a	320	400	V
Grid No.2 voltage	V_{g2}	210	220	V ²
Grid No.1 voltage	V_{g1}	-52	-55	V ³
Grid No.1 resistor	R_{g1}	26	30	k Ω
Grid No.1 current	I_{g1}	2	1.9	mA
Grid No.1 driving voltage	V_{g1p}	65	67	V
Driving power	W_{dr}	2	2	W
Anode current	I_a	170	180	mA
Grid No.2 current	I_{g2}	12	12	mA
Anode input power	W_{i_a}	55	72	W
Anode dissipation	W_a	26	32	W
Output power	W_o	29	40	W
Efficiency	η	53	56	%

Notes see page 11

R.F. CLASS C ANODE AND SCREEN GRID MODULATION

LIMITING VALUES (Absolute max. rating system)

(For maximum anode voltage and maximum anode input power at $f > 60$ MHz see page 18)

		C.C.S.	I.C.A.S.	
Frequency	f	up to 60		MHz
Anode voltage	V_a	max. 480	max. 600	V
Anode input power	W_{i_a}	max. 60	max. 85	W
Anode dissipation	W_a	max. 18	max. 23	W
Anode current	I_a	max. 145	max. 180	mA
Grid No.2 voltage	V_{g_2}	max. 250	max. 250	V
Grid No.2 dissipation	W_{g_2}	max. 2	max. 2	W
Grid No.1 voltage	$-V_{g_1}$	max. 150	max. 150	V
Grid No.1 current	I_{g_1}	max. 3.5	max. 4	mA
Cathode to heater voltage, peak	V_{kf_p}	max. 135	max. 135	V
Grid No.1 circuit resistance	R_{g_1}	max. 30	max. 30	$k\Omega$ ¹⁾

OPERATING CONDITIONS

		C.C.S.	I.C.A.S.	
Frequency	f	up to 60		MHz
Anode voltage	V_a	475	600	V
Grid No.2 voltage	V_{g_2}	165	175	V ⁴⁾
Grid No.1 voltage	V_{g_1}	-86	-92	V ³⁾
Grid No.1 resistor	R_{g_1}	26	27	$k\Omega$
Grid No.1 current	I_{g_1}	3.3	3.4	mA
Grid No.1 driving voltage	$V_{g_{1p}}$	106	114	V
Driving power	W_{dr}	0.4	0.5	W
Anode current	I_a	125	140	mA
Anode input power	W_{i_a}	60	84	W
Anode dissipation	W_a	18	22	W
Output power	W_o	42	62	W
Efficiency	η	70	74	%
Modulation factor	m	100	100	%
Modulation power	W_{mod}	25	37	W

Notes see page 11

R.F. CLASS AB LINEAR AMPLIFIER, SINGLE SIDE BAND, suppressed carrier
 LIMITING VALUES (Absolute max. rating system)

		C.C.S.	I.C.A.S.	
Frequency	f	up to 30		MHz
Anode voltage	V_a	max. 600	max. 750	V
Anode input power	W_{i_a}	max. 90	max. 126	W
Anode dissipation	W_a	max. 27	max. 35	W
Anode current	I_a	max. 175	max. 220	mA
Grid No.2 voltage	V_{g_2}	max. 250	max. 250	V
Grid No.2 dissipation	W_{g_2}	max. 3	max. 3	W
Grid No.1 voltage	$-V_{g_1}$	max. 150	max. 150	V
Cathode to heater voltage, peak	V_{kf_p}	max. 135	max. 135	V
Grid No.1 circuit resistance (fixed bias)	R_{g_1}	max. 30	max. 30	k Ω

OPERATING CONDITIONS

		C.C.S.		
Frequency	f	30		MHz
Anode voltage	V_a	600		V
Grid No.2 voltage	V_{g_2}	200		V ⁵⁾
Grid No.1 voltage	V_{g_1}	-47		V ⁵⁾
		zero signal	single tone signal	double tone signal
Grid No.1 driving voltage	$V_{g_{1p}}$	0	47	47 V
Anode current	I_a	24	125	86 mA
Grid No.2 current	I_{g_2}		7.4	5 mA
Grid No.1 current	I_{g_1}	0	0	0 mA
Anode input power	W_{i_a}	14.4	75	51.5 W
Anode dissipation	W_a	14.4	26	27 W
Output power (PEP)	W_o	-	49	49 W
Efficiency	η	-	65.5	47.5 %
Intermodulation distortion of the 3rd order	d ₃			24.5 dB ⁶⁾
of the 5th order	d ₅			30 dB ⁶⁾

Notes see page 11

R.F. CLASS AB LINEAR AMPLIFIER, SINGLE SIDE BAND, suppressed carrier

OPERATING CONDITIONS (continued)

I.C.A.S.

		I.C.A.S.		
Frequency	f	30	MHz	
Anode voltage	V_a	750	V	
Grid No. 2 voltage	V_{g2}	200	V ⁵⁾	
Grid No. 1 voltage	V_{g1}	-48	V ⁵⁾	
		zero signal	single tone signal	double tone signal
Grid No. 1 driving voltage	V_{g1p}	0	48	48 V
Anode current	I_a	25	125	86 mA
Grid No. 2 current	I_{g2}		6.3	3.9 mA
Grid No. 1 current	I_{g1}	0	0	0 mA
Anode input power	W_{i_a}	18.8	94	64.5 W
Anode dissipation	W_a	18.8	33	34 W
Output power (PEP)	W_o	-	61	61 W
Efficiency	η	-	65	47 %
Intermodulation distortion of the 3rd order	d_3			26 dB ⁶⁾
of the 5th order	d_5			31 dB ⁶⁾

Notes see page 11

A.F. CLASS AB AMPLIFIER (without grid current)

LIMITING VALUES (Absolute max. rating system)

		C.C.S.	I.C.A.S.
Anode voltage	V_a	max. 600	max. 750 V
Anode dissipation	W_a	max. 27	max. 35 W
Anode current	I_a	max. 175	max. 220 mA
Grid No.2 voltage	V_{g2}	max. 250	max. 250 V
Grid No.2 dissipation	W_{g2}	max. 3	max. 3 W
Grid No.1 voltage	$-V_{g1}$	max. 150	max. 150 V
Grid No.1 current	I_{g1}	max. 0	max. 0 mA
Grid No.1 circuit resistance	R_{g1}	max. 100	max. 100 k Ω
Cathode to heater voltage, peak	V_{kfp}	max. 135	max. 135 V

OPERATING CONDITIONS two tubes in push-pull

		C.C.S.		I.C.A.S.	
Anode voltage	V_a	600	750	V	
Grid No.2 voltage	V_{g2}	200	200	V ⁷	
Grid No.1 voltage	V_{g1}	-47	-48	V	
Load resistance	$R_{aa} \sim$	5600	7200	Ω	
Grid to grid voltage, peak	V_{g1g1p}	0	94	0	96 V
Anode current	I_a	2 x 24	2 x 125	2 x 25	2 x 125 mA
Grid No.2 current	I_{g2}	-	2 x 7.4	-	2 x 6.3 mA
Anode input power	W_{i_a}	2 x 14.4	2 x 75	2 x 19	2 x 94 W
Anode dissipation	W_a	2 x 14.4	2 x 27	2 x 19	2 x 32 W
Output power	W_o	0	96	0	124
Efficiency	η	-	64	-	66 %

Notes see page 11

A.F. CLASS AB AMPLIFIER (with grid current)

LIMITING VALUES (Absolute max. rating system)

		C.C.S.	I.C.A.S.
Anode voltage	V_a	max. 600	max. 750 V
Anode dissipation	W_a	max. 27	max. 35 W
Anode current	I_a	max. 175	max. 220 mA
Grid No.2 voltage	V_{g2}	max. 250	max. 250 V
Grid No.2 dissipation	W_{g2}	max. 3	max. 3 W
Grid No.1 voltage	$-V_{g1}$	max. 150	max. 150 V
Grid No.1 current	I_{g1}	max. 3.5	max. 4 mA
Grid No.1 circuit resistance	R_{g1}	max. 30	max. 30 $k\Omega^1$)
Cathode to heater voltage, peak	V_{kf_p}	max. 135	max. 135 V

OPERATING CONDITIONS, two tubes in push-pull

		C.C.S.				
Anode voltage	V_a	500	600	600	V	
Grid No.2 voltage	V_{g2}	200	200	200	V ⁷⁾	
Grid No.1 voltage	V_{g1}	-46	-48	-48	V	
Load resistance	$R_{aa\sim}$	3620	5200	5200	Ω	
Grid to grid voltage, peak	V_{g1g1p}	0 108		0 106		V
Anode current	I_a	2 x 25	2 x 154	2 x 20	2 x 135	mA
Grid No.2 current	I_{g2}	-	2 x 13	-	2 x 13.5	mA
Grid No.1 current	I_{g1}	0	2 x 1.35	0	2 x 0.65	mA
Driving power	W_{dr}	0	0.2	0	0.7	W
Anode input power	W_{i_a}	2 x 12.5	2 x 77	2 x 12	2 x 81	W
Anode dissipation	W_a	2 x 12.5	2 x 27	2 x 12	2 x 26	W
Output power	W_o	0	100	0	110	W
Efficiency	η	-	65	-	68	%

Notes see page 11

OPERATING CONDITIONS(continued)

		I.C.A.S.			
Anode voltage	V_a	600	750	V	
Grid No.2 voltage	V_{g2}	200	150	V	
Grid No.1 voltage	V_{g1}	-47	-39	V	
Load resistance	$R_{aa\sim}$	4160	6050	Ω	
Grid to grid voltage, peak	V_{g1g1p}	0	114	0	110
Anode current	I_a	2 x 25	2 x 164	2 x 20	2 x 147
Grid No.2 current	I_{g2}	-	2 x 13	-	2 x 14
Grid No.1 current	I_{g1}	0	2 x 1.7	0	2 x 3.8
Driving power	W_{dr}	0	0.2	0	0.5
Anode input power	W_{i_a}	2 x 12	2 x 98	2 x 15	2 x 110
Anode dissipation	W_a	2 x 12	2 x 33	2 x 15	2 x 35
Output power	W_o	0	130	0	150
Efficiency	η	-	66	-	68
					%

Notes pages 3 through 9

1. For operation at maximum ratings.
For operation at less than maximum ratings:
 $R_{g_1} = \text{max. } 100 \text{ k}\Omega$.
2. Obtained preferably from a separate source, or from the anode supply voltage with a voltage divider, or through a series resistor.
A series resistor should be used only when the tube is used in a circuit which is not keyed. Grid No.2 voltage must not exceed 435 V under key-up conditions.
3. V_{g_1} may be obtained from a separate supply, or from R_{g_1} or R_k , or by combination methods.
4. Obtained preferably from a separate source modulated with the anode supply, or from the anode supply through a series resistor.
5. Obtained from a separate source.
6. Maximum values encountered at any level of drive voltage up to full drive referred to the amplitude of either of the two equal tones at that level.
7. Obtained preferably from a separate source or from the anode voltage supply with a voltage divider.



SPECIAL PERFORMANCE DATA

Stationary equipment operation

Heater voltage

	min.	nom.	max.	
V_f	-	6.3	-	V ¹⁾
Heater current at $V_f = 6.3$ V	I_f	1050	-	1200 mA
Grid No.2 current	I_{g2}	-	-	15 mA ²⁾
Output power in load	W_ℓ	59	-	-

Mobile equipment operation

Heater voltage

	min.	design range	max.	
V_f	-	6.0 to 7.5	-	V ³⁾
Heater current at $V_f = 6.75$ V	I_f	1100	-	1230 mA
Grid No.2 current	I_{g2}	-	-	15 mA ²⁾
Output power in load	W_ℓ	59		W ²⁾
Decrease output power in load	ΔW_ℓ		10	% ⁴⁾

Notes

1. Recommended design centre heater voltage 6.3 V. To ensure long life the heater voltage should not fluctuate more than 10%.
2. In a self-excited oscillator circuit and

Heater voltage	V_f	6.3	V
Anode voltage	V_a	600	V
Grid No.2 voltage	V_{g2}	200	V
Grid No.1 resistor	R_{g1}	24	k Ω $\pm 10\%$
Anode current	I_a	max. 150	mA
Grid No.1 current	I_{g1}	2.5 to 3	mA
Frequency	f	15	MHz
3. Recommended heater voltage within the range

In battery operation within the range	V_f	6.0 to 7.5	V
	V_f	5.0 to 8.0	V
4. With the conditions of note 2, reduce the heater voltage to 5.0 V. The decrease in output power $\Delta W_\ell = \text{max. } 10\%$.

Over voltage heater life tests

Continuous heater life tests are performed periodically on sample lots of tubes with 8 V on the heater, all electrodes floating.

Intermittent heater life tests are performed periodically on sample lots of tubes with 11 V on the heater, a cycle of 1 minute "on" and 4 minutes "off".

After 1000 h of continuous heater life test, and after 48 h of entermittent life test the following measurements are performed:

Cathode to heater leakage

at $V_f = 6.75$ V; $V_{kf} = \pm 100$ V

I_{kf} max. 100 μ A

Leakage resistance grid No. 1

at $V_f = 6.75$ V; $V_{g1} = -200$ V;

$V_a = V_{g2} = V_k = 0$ V

r_{ins} min. 10 $M\Omega$

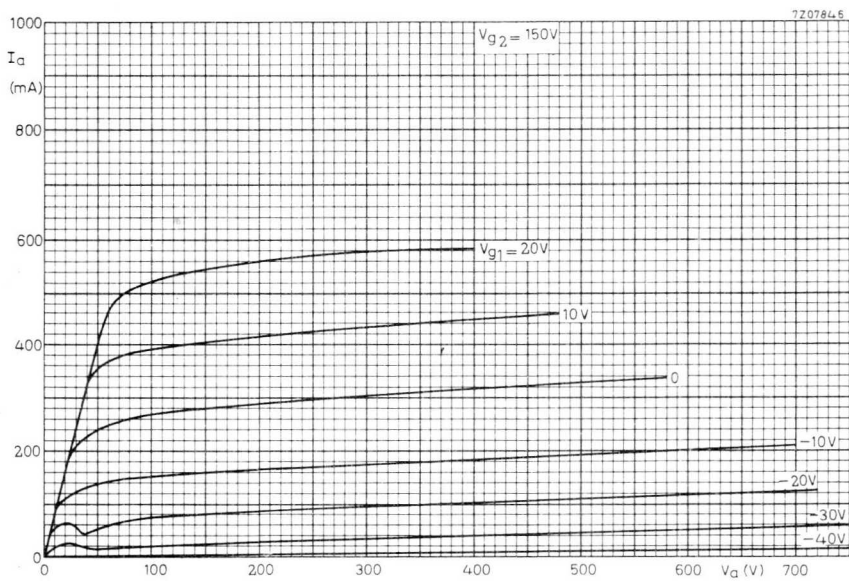
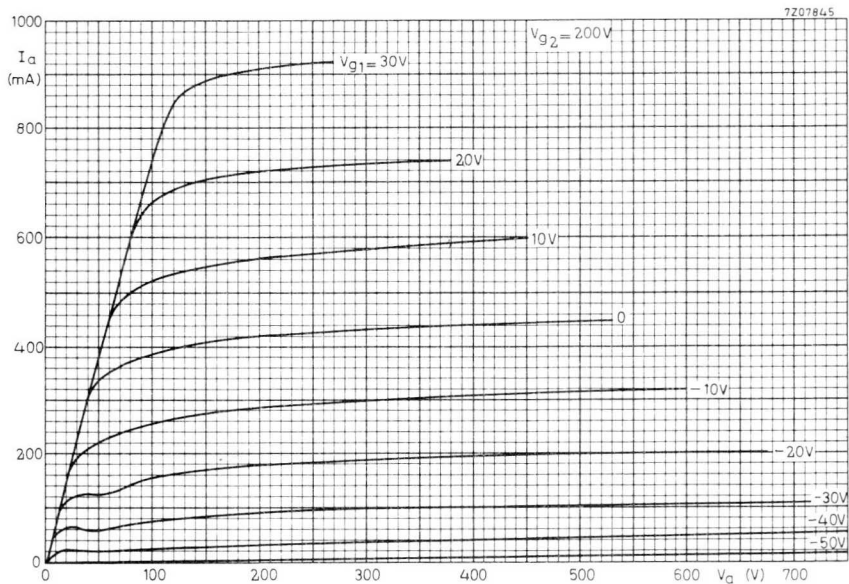
Leakage resistance anode

at $V_f = 6.75$ V; $V_a = -200$ V

$V_{g2}, V_{g1}, V_k = 0$ V

r_{ins} min. 10 $M\Omega$





R.F. BEAM POWER TETRODE

R.F. Beam power tetrode intended for use as R.F. power amplifier, oscillator, A.F. power amplifier and modulator in both mobile and fixed equipment.

HEATING: indirect by A.C. or D.C.; cathode oxide coated

Heater voltage	V_f	12.6 V
Heater current at $V_f = 12.6$ V	I_f	562 mA
Cathode heating time	T_h	min. 60 s

CAPACITANCES

Grid No.1 to all except anode	$C_{g1(a)}$	13.0 pF
Anode to all except grid No.1	$C_{a(g1)}$	8.5 pF
Anode to grid No.1	C_{ag1}	max. 0.24 pF

SPECIAL PERFORMANCE DATA

Stationary equipment operation

	Min.	Nom.	Max.	
Heater voltage	V_f	-	12.6	- V 1)
Heater current at $V_f = 12.6$ V	I_f	525	-	600 mA
Output power in load	W_ℓ	59	-	- W 2)

Mobile equipment operation

	Min.	Design range	Max.	
Heater voltage	V_f	-	12 to 15	- V 3)
Heater current at $V_f = 13.5$ V	I_f	550	-	620 mA
Output power in load	W_ℓ	59	-	- W 2)
Decrease output power in load	ΔW_ℓ	-	-	10 % 4)

1) 2) 3) 4) See page 2

NOTES

1. Recommended design centre heater voltage 12.6 V.
To ensure long life the heater voltage should not fluctuate more than 10%.
2. In a self-excited oscillator circuit and

Heater voltage	V_f	12.6	V
Anode voltage	V_a	600	V
Grid No.2 voltage	V_{g2}	200	V
Grid No.1 resistor	R_{g1}	24	$k\Omega \pm 10\%$
Anode current	I_a	max. 150	mA
Grid No.1 current	I_{g1}	2.5 to 3	mA
Frequency	f	15	MHz
3. Recommended heater voltage within the range 12.0 to 15.0 V.
In battery operation within the range 10 to 15 V.
4. With the conditions of note 2, reduce the heater voltage to 10 V. The decrease in output power $\Delta W_\ell = \text{max. } 10\%$.

Overvoltage life tests

Continuous heater life tests are performed periodically on sample lots of tubes with 16 V on the heater, all electrodes floating.

Intermittent heater life tests are performed periodically on sample lots of tubes with 22 V on the heater, a cycle of 1 minute "on" and 4 minutes "off".

After 1000 h of continuous heater life test, and after 48 h of intermittent life test the following measurements are performed:

Cathode to heater leakage
 at $V_f = 13.5 \text{ V}$; $V_{kf} = \pm 100 \text{ V}$

I_{kf}	max.	100	μA
----------	------	-----	---------------

Leakage resistance grid No.1
 at $V_f = 13.5 \text{ V}$; $V_{g1} = -200 \text{ V}$
 $V_a = V_{g2} = V_k = 0 \text{ V}$

r_{ins}	min.	10	$M\Omega$
-----------	------	----	-----------

Leakage resistance anode
 at $V_f = 13.5 \text{ V}$; $V_a = -200 \text{ V}$
 $V_{g2} = V_{g1} = V_k = 0 \text{ V}$

r_{ins}	min.	10	$M\Omega$
-----------	------	----	-----------

 For further data and curves please refer to type YL1370

R.F. BEAM POWER TETRODE

R.F. Beam power tetrode intended for use as R.F. amplifier, oscillator, A.F. power amplifier and modulator in both mobile and fixed equipment.

HEATING: indirect by A.C. or D.C.; cathode oxide coated

Heater voltage	V_f	26.5 V
Heater current at $V_f = 26.5$ V	I_f	300 mA
Cathode heating time	T_h	min. 60 s

CAPACITANCES

Grid No. 1 to all except anode	$C_{g1(a)}$	13.0 pF
Anode to all except grid No. 1	$C_a(g1)$	8.5 pF
Anode to grid No. 1	C_{ag1}	min. 0.24 pF

SPECIAL PERFORMANCE DATA

Stationary equipment operation

	Min.	Nom.	Max.	
Heater voltage	-	26.5	-	V ¹⁾
Heater current at $V_f = 26.5$ V	I_f	280	-	320 mA
Output power in load	W_ℓ	59	-	- W ²⁾

Mobile equipment operation

	Min.	Design range	Max.	
Heater voltage	V_f	-	24 to 29	- V ³⁾
Heater current at $V_f = 26.5$ V	I_f	280	-	320 mA
Output power in load	W_ℓ	59	-	- ²⁾
Decrease output power in load	ΔW_ℓ	-	-	10 % ⁴⁾

1) 2) 3) 4) See page 2.

NOTES

- Recommended design centre heater voltage 26.5 V.
To ensure long life the heater voltage should not fluctuate more than 10%.
- In a self excited oscillator circuit and

Heater voltage	V_f	26.5 V
Anode voltage	V_a	600 V
Grid No.2 voltage	V_{g_2}	200 V
Grid No.1 resistor	R_{g_1}	24 $k\Omega \pm 10\%$
Anode current	I_a	max. 150 mA
Grid No.1 current	I_{g_1}	2.5 to 3 mA
Frequency	f	15 MHz
- Recommended heater voltage within the range 24 to 29 V.
In battery operation within the range 21 to 31 V.
- With the conditions of note 2, reduce the heater voltage to 10 V. The decrease in output power $\Delta W_L = \text{max. } 10\%$.

Overvoltage life tests

Continuous heater life tests are performed periodically on sample lots of tubes with 31 V on the heater, all electrodes floating.

Intermittent heater life tests are performed periodically on sample lots of tubes with 43 V on the heater, a cycle of 1 minute "on" and 4 minutes "off".

After 1000 h of continuous heater life test, and after 48 h of intermittent life test the following measurements are performed:

Cathode to heater leakage at $V_f = 26.5 \text{ V}$; $V_{kf} = \pm 100 \text{ V}$	I_{kf}	max. 150 μA
Leakage resistance grid No.1 at $V_f = 26.5 \text{ V}$; $V_{g_2} = -200 \text{ V}$ $V_a = V_{g_2} = V_k = 0 \text{ V}$	r_{ins}	min. 10 $M\Omega$
Leakage resistance anode at $V_f = 26.5 \text{ V}$; $V_a = -200 \text{ V}$ $V_{g_2} = V_{g_1} = V_k = 0 \text{ V}$	r_{ins}	min. 10 $M\Omega$

For further data and curves please refer to type YL1370

AIR COOLED V.H.F. POWER TETRODE

Forced air cooled coaxial power tetrode in metal-ceramic construction primarily intended for use as a linear broad-band amplifier in T V transmitters in the bands I and III. This type is also very suitable for A. M. and F. M. broadcast, A. F. modulator applications and in T V transposer service.

QUICK REFERENCE DATA

Class AB linear amplifier (vision)			
Frequency	f	175, 25	MHz
Anode voltage	V_a	5	kV
Output power in load	W_ℓ	8, 6	kW
Power gain	G	24	
Class B amplifier			
Frequency	f	260	MHz
Anode voltage	V_a	7	kV
Output power in load	W_ℓ	10, 5	kW
Power gain	G	32	
R. F. Class C telegraphy or F. M. telephony			
Frequency	f	260	MHz
Anode voltage	V_a	7	kV
Output power in load	W_ℓ	11	kW
Power gain	G	32	
TV transposer service			
Frequency	f	175 to 225	MHz
Anode voltage	V_a	4	kV
Output power in load	W	2, 5	kW
Power gain	G	30	

HEATING: direct; filament thoriated tungsten, mesh type

Filament voltage	V_f	6, 3	V \pm 5%
Filament current	I_f	120	A
Filament peak starting current	I_{fp}	max. 750	A
Cold filament resistance	R_{f0}	6	m Ω
Waiting time	T_w	min. 1	s

TYPICAL CHARACTERISTICS

Anode voltage	V_a	5	kV
Grid No. 2 voltage	V_{g2}	600	V
Anode current	I_a	1,45	A
Transconductance	S	30	mA/V
Amplification factor	μ_{g2g1}	7,5	

CAPACITANCES

	(grounded cathode)		(grounded grid)	
Input	$C_{g1(a)}$	90	$C_{f(a)}$	48 pF
Output	$C_{a(g1)}$	16	$C_{a(f)}$	16,4 pF
Anode to grid No. 1	C_{ag1}	0,55		pF
Anode to filament			C_{af}	0,15 pF

TEMPERATURE LIMITS

Absolute max. envelope temperature	t_{env}	max.	240	$^{\circ}C$
Recommended max. seal temperature	t	max.	200	$^{\circ}C$

COOLING

See curves
 Direction of air flow: see drawing.

ACCESSORIES

Band I amplifier circuit assembly (vision)	type 40757
Band I amplifier circuit assembly (sound)	type 40758
Band III amplifier circuit assembly (vision)	type 40745
Band III amplifier circuit assembly (sound)	type 40746

R.F. CLASS B SERVICE

Unless otherwise stated the voltages are specified with respect to cathode

LIMITING VALUES (Absolute max. rating system)

Frequency	f	up to	260	MHz
Anode voltage	V_a	max.	8,5	kV
Grid no. 2 voltage	V_{g2}	max.	1	kV
Grid no. 1 voltage	$-V_{g1}$	max.	500	V
Anode current	I_a	max.	4	A
Anode input power	W_{ia}	max.	18,5	kW
Anode dissipation	W_a	max.	6	kW
Grid no. 2 dissipation	W_{g2}	max.	80	W
Grid no. 1 dissipation	W_{g1}	max.	40	W
Cathode current	I_k	max.	4,5	A

OPERATING CONDITIONS : grounded grid

Frequency	f	up to	260	MHz
Anode voltage	V_a		7	kV
Grid no. 2 voltage	V_{g2}		600	V
Grid no. 1 voltage	V_{g1}		-120	V ¹⁾
Anode current, no signal condition	I_a		0,2	A
Anode current	I_a		2,2	A
Grid no. 2 current	I_{g2}		80	mA
Grid no. 1 current	I_{g1}		125	mA
Anode input power	W_{ia}		15,4	kW
Anode dissipation	W_a		4,3	kW
Output power in load	W_ℓ		10,5	kW
Efficiency, total	η		68	%
Driving power	W_{dr}		325	W
Power gain	$\frac{W_\ell}{W_{dr}}$		32	

Note see page 8

R.F. CLASS C TELEGRAPHY or F.M. TELEPHONY

LIMITING VALUES (Absolute max. rating system)

Frequency	f	up to	260	MHz
Anode voltage	V_a	max.	8,5	kV
Grid no. 2 voltage	V_{g2}	max.	1	kV
Grid no. 1 voltage	$-V_{g1}$	max.	500	V
Anode current	I_a	max.	4	A
Anode input power	W_{ia}	max.	18,5	kW
Anode dissipation	W_a	max.	6	kW
Grid no. 2 dissipation	W_{g2}	max.	80	W
Grid no. 1 dissipation	W_{g1}	max.	40	W
Cathode current	I_k	max.	4,5	A

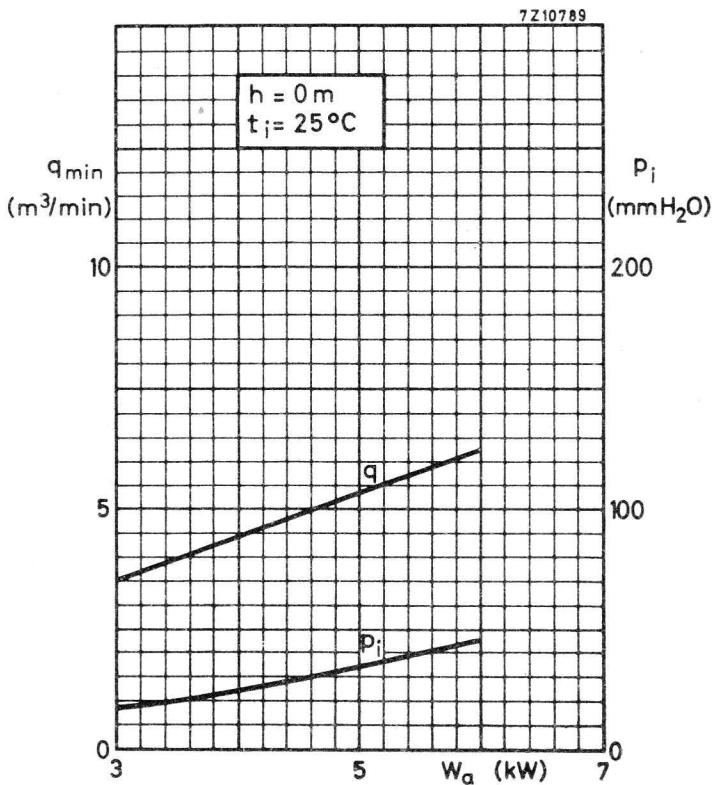
OPERATING CONDITIONS

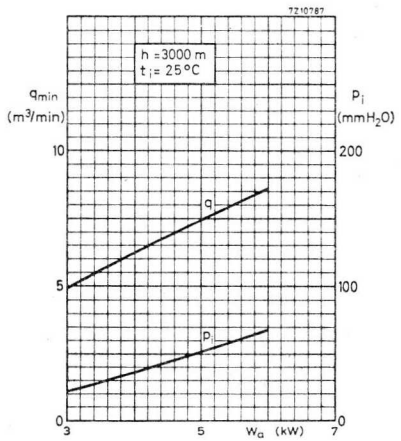
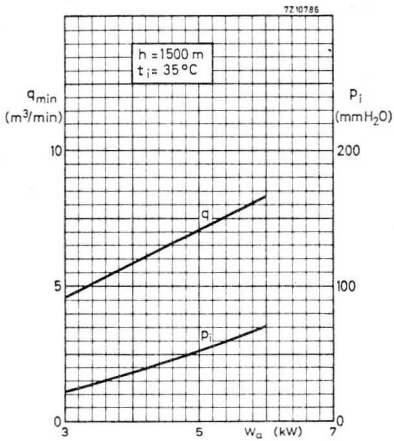
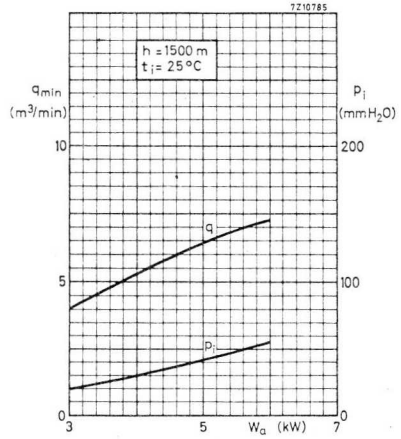
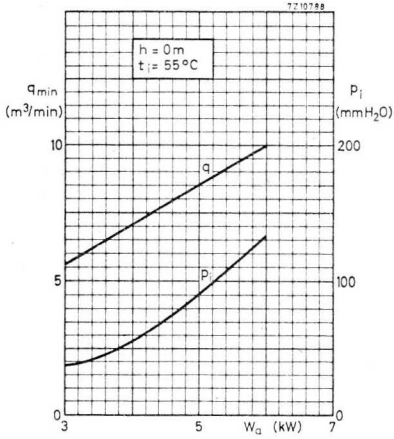
Frequency	f	260	MHz
Anode voltage	V_a	7	kV
Grid no. 2 voltage	V_{g2}	600	V
Grid no. 1 voltage	V_{g1}	-120	V ¹⁾
Anode current, no signal condition	I_a	200	mA
Anode current	I_a	2,3	A
Grid no. 2 current	I_{g2}	80	mA
Grid no. 1 current	I_{g1}	150	mA
Anode input power	W_{ia}	16,1	kW
Anode dissipation	W_a	5	kW
Output power in load	W_l	11	kW
Efficiency, total	η	68	%
Driving power	W_{dr}	325	W
Power gain	$\frac{W_l}{W_{dr}}$	32	

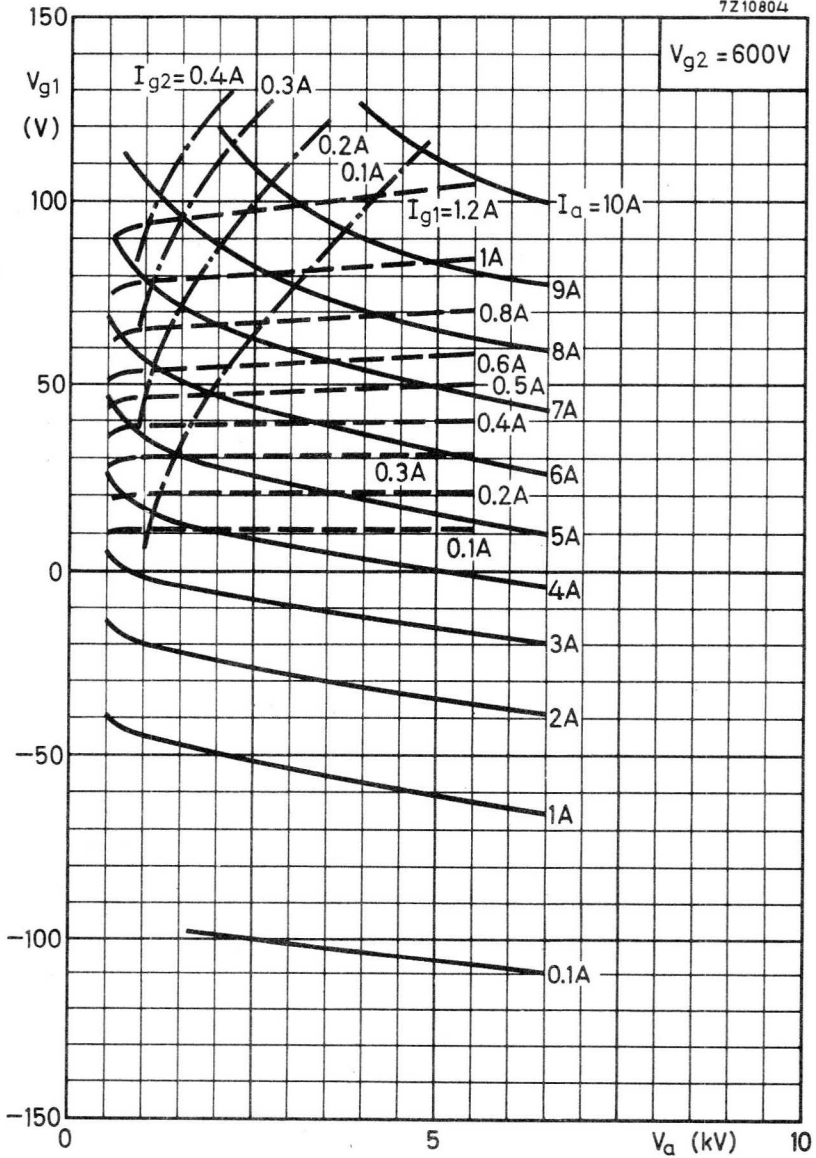
¹⁾ See page 8

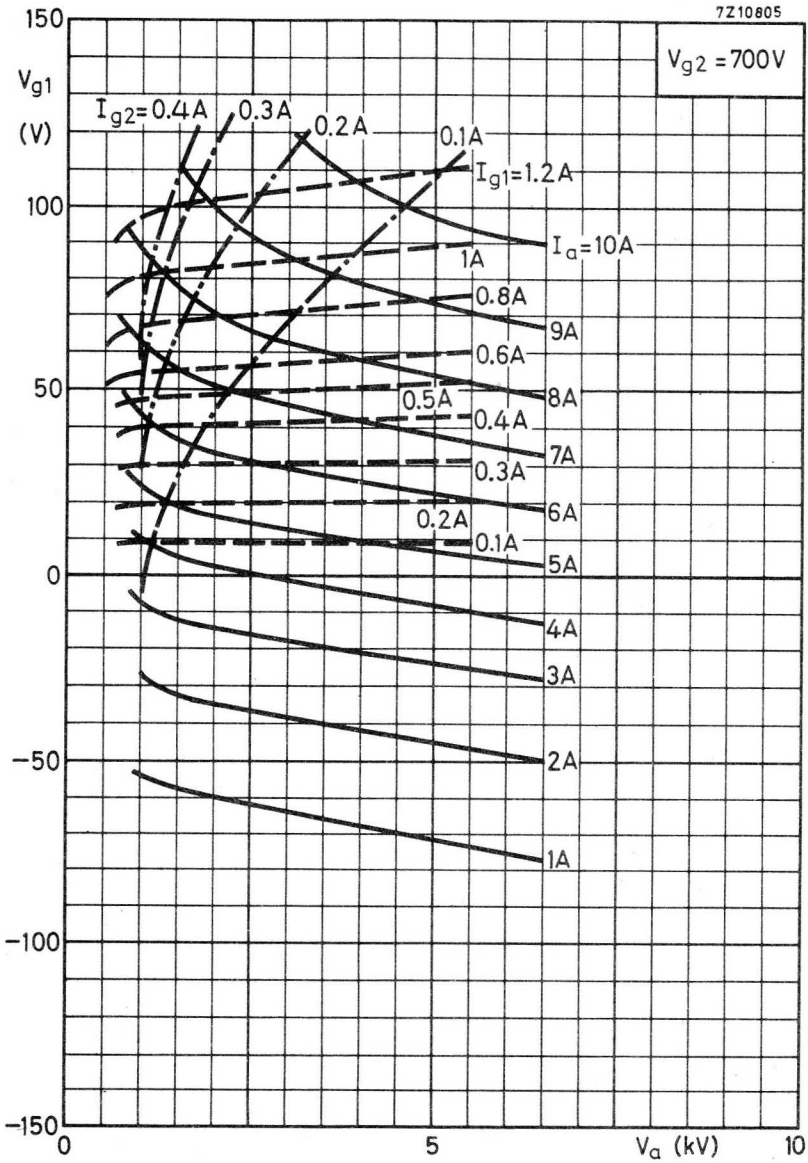
NOTES

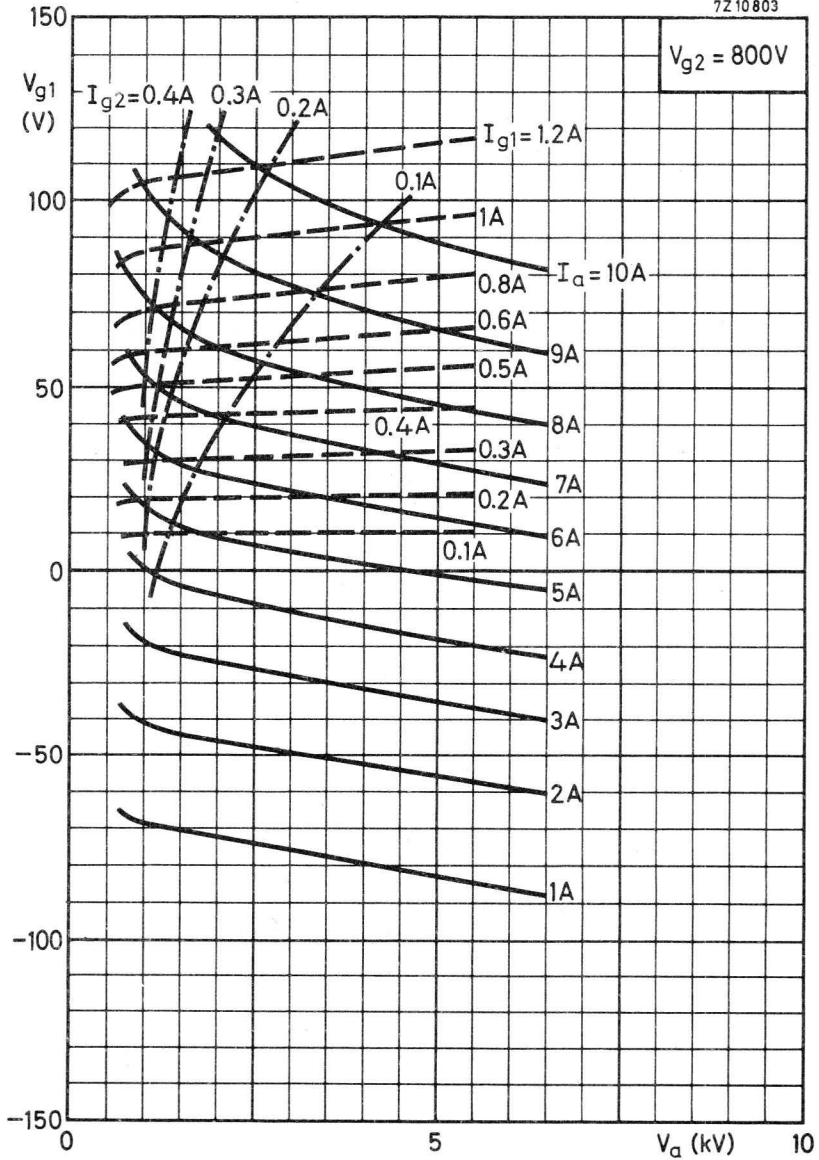
- 1) To be adjusted for the stated no signal anode current.
- 2) With double tuned circuit.
- 3) Black signal including line sync pulses
- 4) A picture/sync ratio of 75/25 for the outgoing signal requires a ratio of max. 70/30 for the incoming signal in which case the sync compression sync in/out = 30/25.
- 5) Measured with a saw tooth amplitude, running from 17% to 75% of the peak sync value, with superimposed a 4,43 MHz sine wave with a 10% peak to peak value.
- 6) At c.w. output power = 2,5 kW
- 7) Three-tone test method (vision carrier -8 dB, sound carrier -7 dB, sideband signal -17 dB with respect to peak sync = 0 dB).











AIR COOLED V.H.F. POWER TETRODE

Forced air cooled coaxial power tetrode in metal-ceramic construction primarily intended for use as a linear broad-band amplifier in T V transmitters in the bands I and III. This type is also very suitable for A.M. and F.M broadcast, A.F. modulator applications, and in T V transposer service.

QUICK REFERENCE DATA

Frequency	f	175, 25	MHz
Anode voltage	V_a	7	kV
Output power in load	W_ℓ	18, 4	kW
Power gain	G	25	
Class B amplifier			
Frequency	f	260	MHz
Anode voltage	V_a	7, 5	kV
Output power in load	W_ℓ	13	kW
Power gain	G	32, 5	
R.F. Class C telegraphy or F.M. telephony			
Frequency	f	260	MHz
Anode voltage	V_a	8	kV
Output power in load	W_ℓ	18	kW
Power gain	G	30	
TV transposer service			
Frequency	f	175 to 225	MHz
Anode voltage	V_a	6	kV
Output power in load	W_ℓ	7	kW
Power gain	G	32	

HEATING : direct; filament thoriated tungsten, mesh type.

Filament voltage	V_f	8	V \pm 5%
Filament current	I_f	120	A
Filament peak starting current	I_{fp}	max. 750	A
Cold filament starting current	R_{f0}	7, 5	m Ω
Waiting time	T_w	min. 1	s

TYPICAL CHARACTERISTICS

Anode voltage	V_a	6	kV
Grid no. 2 voltage	V_{g2}	650	V
Anode current	I_a	2, 4	A
Transconductance	S	45	mA/V
Amplification factor	μ_{g2g1}	8, 5	

CAPACITANCES

	grounded cathode	grounded grid
Input	$C_{g1(a)}$ 110	$C_{f(a)}$ 55 pF
Output	$C_{a(g1)}$ 17, 5	$C_{a(f)}$ 18 pF
Anode to grid no. 1	C_{ag1} 0, 7	pF
Anode to filament		C_{af} 0, 2 pF

TEMPERATURE LIMITS

Absolute max. envelope temperature	t_{env} max.	240	$^{\circ}C$
Recommended max. seal temperature	t max.	200	$^{\circ}C$

COOLING

See curves.
 Direction of air flow: see drawing.

ACCESSORIES

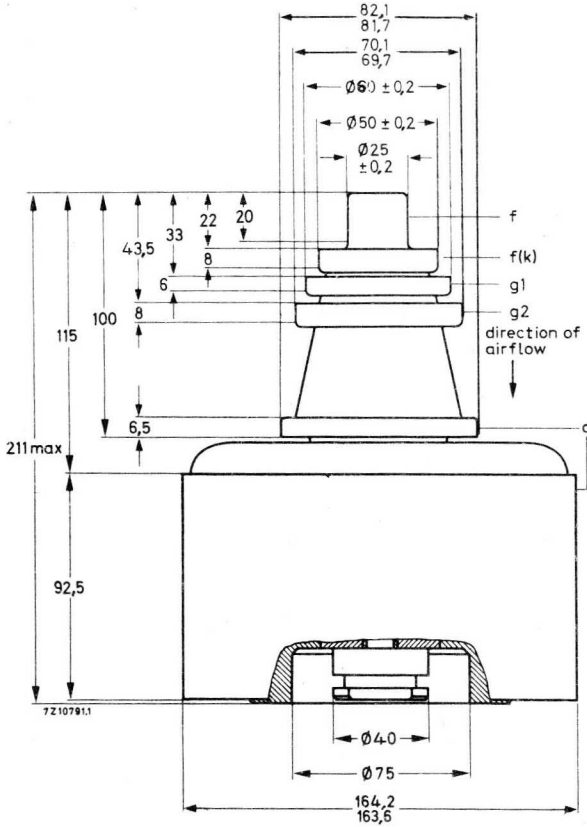
Band I amplifier circuit assembly (vision)	type 40759
Band II amplifier circuit assembly (sound)	type 40760
Band III amplifier circuit assembly (vision)	type 40747
Band III amplifier circuit assembly (sound)	type 40748

MECHANICAL DATA

Dimensions in mm

Net weight: approx. 11 kg

Mounting position: vertical with anode up or down



R.F. CLASS B SERVICE

Unless otherwise stated the voltages are specified with respect to cathode

LIMITING VALUES (Absolute max. rating system)

Frequency	f	up to	260	MHz
Anode voltage	V_a	max.	9	kV
Grid no. 2 voltage	V_{g2}	max.	1	kV
Grid no. 1 voltage	$-V_{g1}$	max.	500	V
Anode current	I_a	max.	5	A
Anode input power	W_{ia}	max.	24	kW
Anode dissipation	W_a	max.	12	kW
Grid no. 2 dissipation	W_{g2}	max.	100	W
Grid no. 1 dissipation	W_{g1}	max.	50	W
Cathode current	I_k	max.	6	A

OPERATING CONDITIONS , grounded grid

Frequency	f	up to	260	MHz
Anode voltage	V_a		7,5	kV
Grid no. 2 voltage	V_{g2}		650	V
Grid no. 1 voltage	V_{g1}		-125	V ¹⁾
Anode current, no signal condition	I_a		0,1	A
Anode current	I_a		2,5	A
Grid no. 2 current	I_{g2}		80	mA
Grid no. 1 current	I_{g1}		90	mA
Anode input power	W_{ia}		18,75	kW
Anode dissipation	W_a		5	kW
Output power in load	W_ℓ		13	kW
Efficiency, total	η		69,3	%
Driving power	W_{dr}		400	W
Power gain	$\frac{W_\ell}{W_{dr}}$		32,5	

Note see page 9

R.F. CLASS AB LINEAR AMPLIFIER FOR TELEVISION SERVICE +

Negative modulation, positive synchronization (C.C.I.R. system)

Unless otherwise specified the voltages are given with respect to the cathode.

LIMITING VALUES (Absolute max. rating system)

Frequency	f	up to	260	MHz
Anode voltage	V_a	max.	9	kV
Grid no. 2 voltage	V_{g2}	max.	1	kV
Grid no. 1 voltage	$-V_{g1}$	max.	500	V
Anode current, black	I_a black	max.	3,5	A
Anode input power, black	W_{ia} black	max.	24	kW
Anode dissipation	W_a	max.	12	kW
Grid no. 2 dissipation	W_{g2}	max.	100	W
Grid no. 1 dissipation	W_{g1}	max.	50	W
Cathode current	I_k	max.	6	A

OPERATING CONDITIONS, grounded grid

Frequency of vision carrier	f		175, 25	MHz
Bandwidth (-1 dB)	B	7	7	MHz 2)
Anode voltage	V_a	7	6	kV
Grid no. 2 voltage	V_{g2}	700	650	V
Grid no. 1 voltage	V_{g1}	-85	-70	V 1)
Anode current, no signal condition	I_a	750	900	mA
Anode current, black	I_{ab1}	2,9	2,5	A 3)
Grid no. 2 current, black	I_{g2b1}	45	25	mA 3)
Grid no. 1 current, black	I_{g1b1}	170	90	mA 3)
Output power in load, sync	W_l sync	18,4	12,5	kW
black	W_l black	11	7,5	kW 3)
Driving power, sync	W_{dr} sync	720	415	W
black	W_{dr} black	370	225	W 2)
Gain, sync	G_{sync}	25	30	
black	G_{black}	29,7	33	
Sync compression	sync in/out	30/25	28/25	4)
Differential phase		< 3	< 3	o 5)
Differential gain		≥ 85	≥ 85	% 5)
Anode resistance	$R_a \sim$	1050	1050	Ω 2)

Notes see page 9

+Detailed information on definitions of terms and application suggestions are available on request.

R.F. CLASS AB AMPLIFIER FOR TELEVISION TRANSPOSER SERVICE , grounded grid

LIMITING VALUES

See page 5

OPERATING CONDITIONS , grounded grid

Negative modulation, positive synchronization, combined sound and vision
(CCIR standard G)

Frequency		f	175 to 225	MHz
Bandwidth (-1 dB)		B	8	MHz
Anode voltage		V_a	6	kV
Grid no. 2 voltage		V_{g2}	800	V
Grid no. 1 voltage	1)	V_{g1}	-80	V
Anode current, no signal condition		I_a	1, 2	A
Anode current	6)	I_a	2, 5	A
Grid no. 2 current	6)	I_{g2}	30	mA
Grid no. 1 current	6)	I_{g1}	50	mA
Driving power, sync		W_{dr}	220	W
Output power in load, sync		W_l	7	kW
Power gain		G	32	
Intermodulation products	7)	d	-52	dB

Notes: see page 9

R.F. CLASS C TELEGRAPHY or F.M. TELEPHONY

LIMITING VALUES (Absolute max. rating system)

Frequency	f	up to	260	MHz
Anode voltage	V_a	max.	9,5	kV
Grid no. 2 voltage	V_{g2}	max.	1	kV
Grid no. 1 voltage	$-V_{g1}$	max.	500	V
Anode current	I_a	max.	5	A
Anode input power	W_{ia}	max.	30	kW
Anode dissipation	W_a	max.	12	kW
Grid no. 2 dissipation	W_{g2}	max.	100	W
Grid no. 1 dissipation	W_{g1}	max.	50	W
Cathode current	I_k	max.	6	A

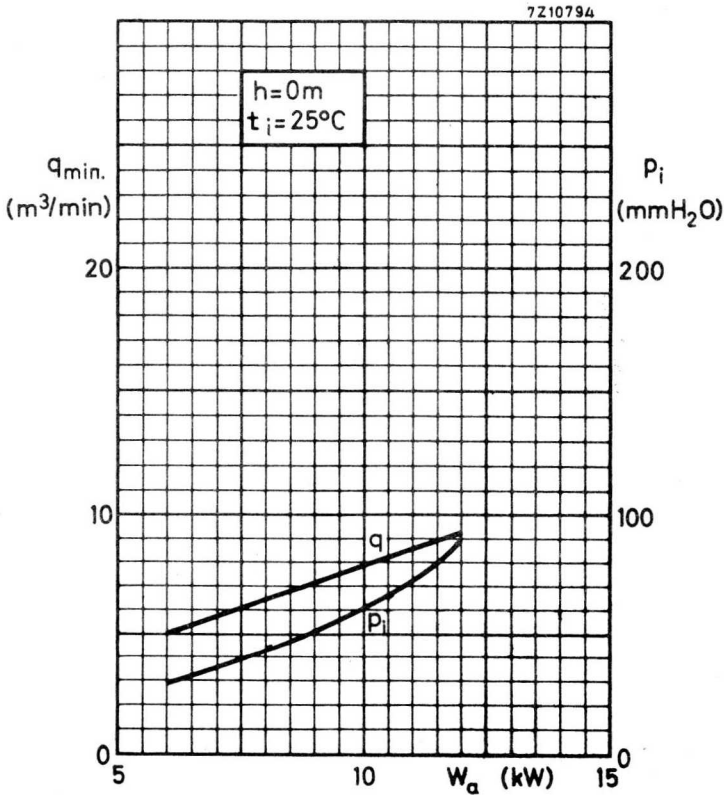
OPERATING CONDITIONS

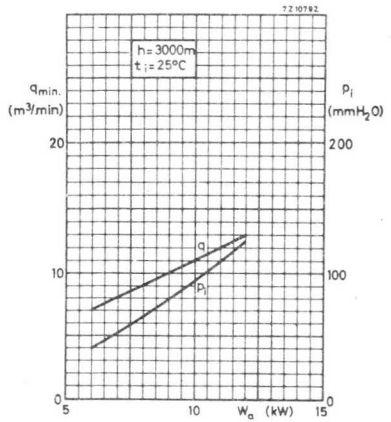
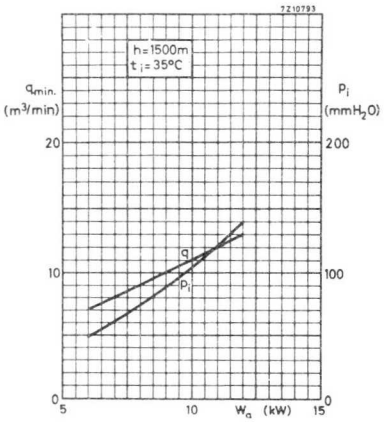
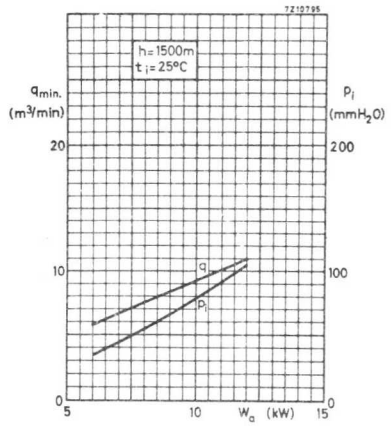
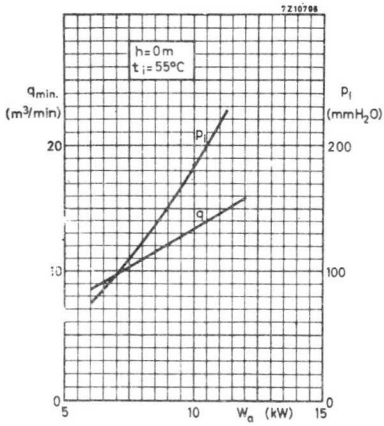
Frequency	f	260	MHz
Anode voltage	V_a	8	kV
Grid no. 2 voltage	V_{g2}	700	V
Grid no. 1 voltage	V_{g1}	-115	V ¹⁾
Anode current, no signal condition	I_a	300	mA
Anode current	I_a	3,5	A
Grid no. 2 current	I_{g2}	100	mA
Grid no. 1 current	I_{g1}	300	mA
Anode input power	W_{ia}	28	kW
Anode dissipation	W_a	10	kW
Output power in load	W_f	18	kW
Efficiency, total	η	64,3	%
Driving power	W_{dr}	600	W
Power gain	$\frac{W_f}{W_{dr}}$	30	

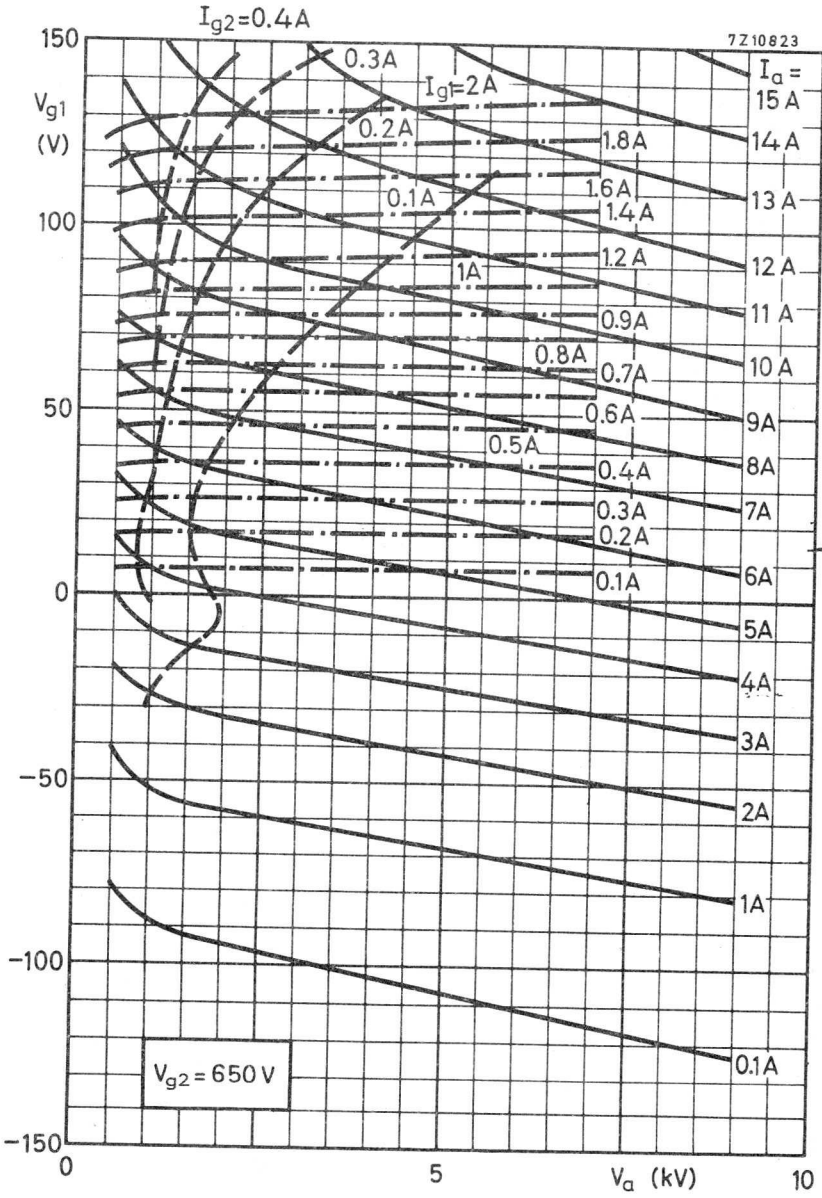
¹⁾ see page 9

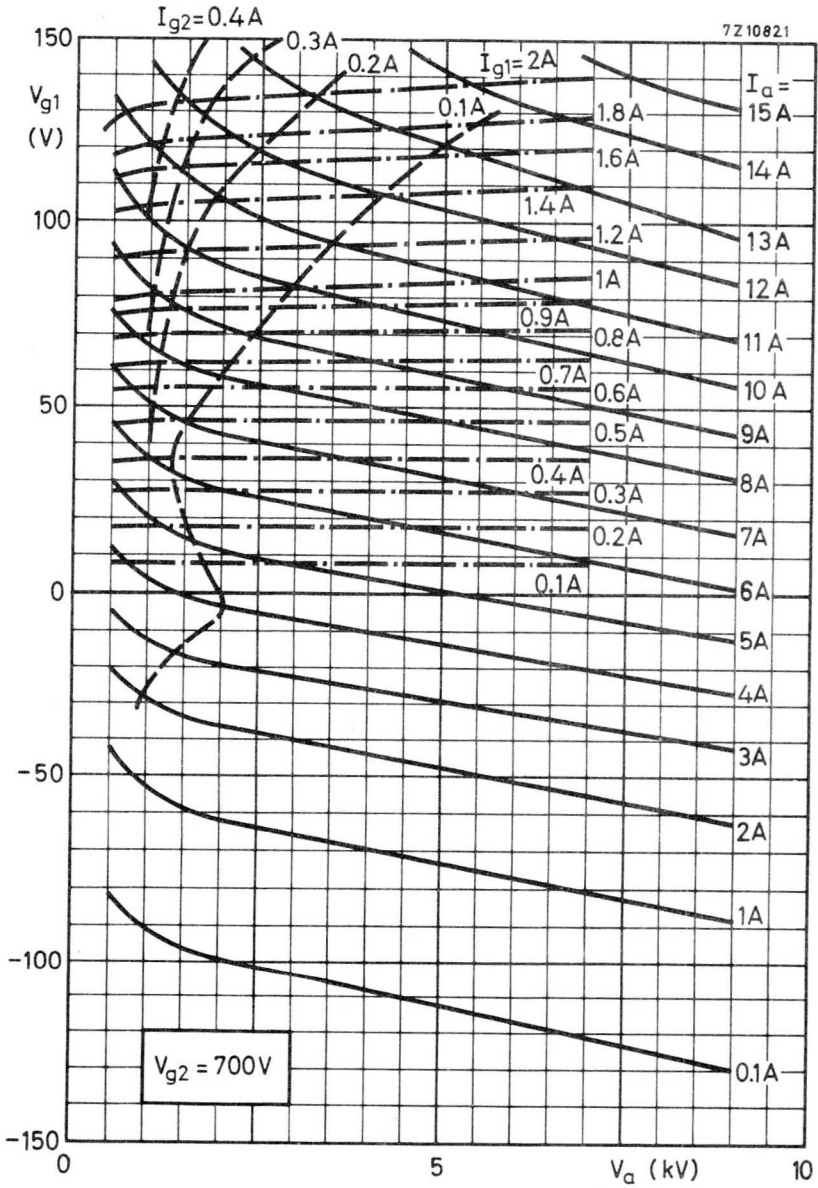
NOTES

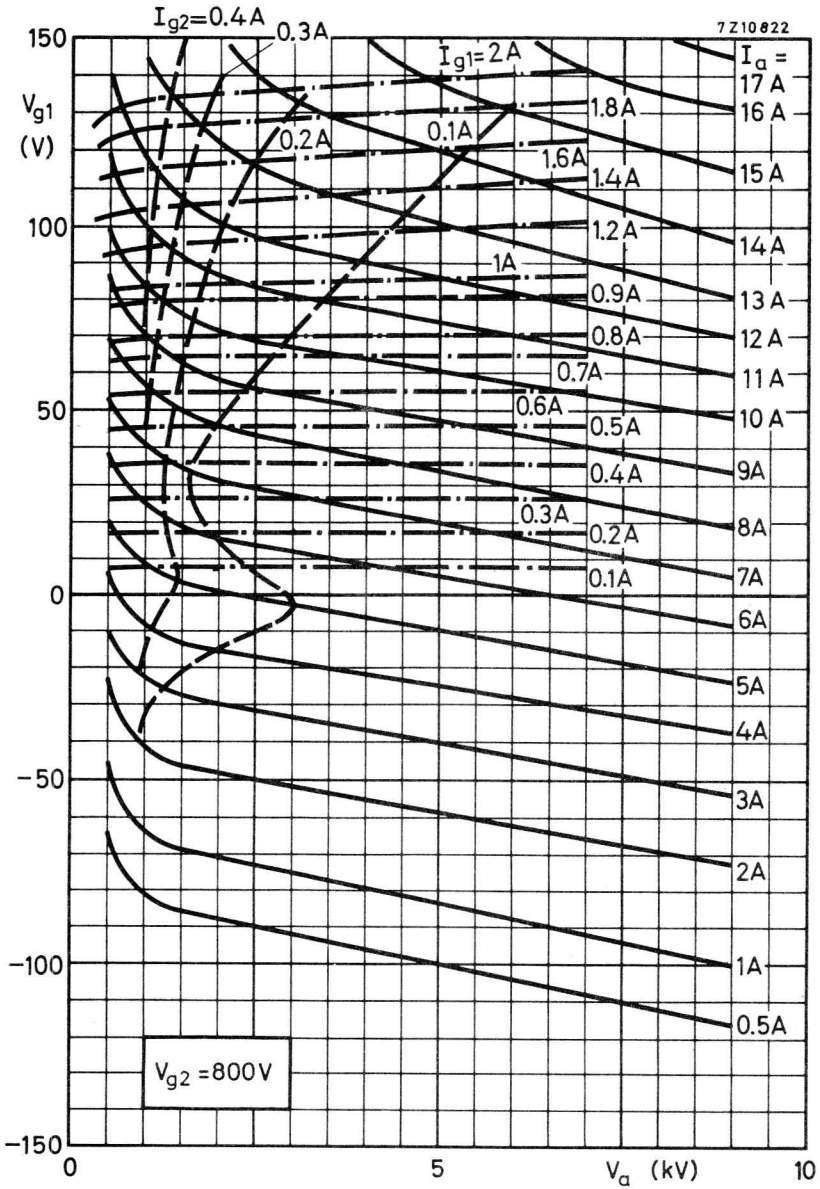
- 1) To be adjusted for the stated no signal anode current.
- 2) With double tuned circuit.
- 3) Black signal including line sync pulses.
- 4) A picture/sync ratio of 72/25 for the outgoing signal requires a ratio of max. 70/30 for the incoming signal in which case the sync compression sync in/out = 30/25.
- 5) Measured with a saw tooth amplitude, running from 17% to 75% of the peak sync value, with superimposed a 4,43 MHz sine wave with a 10% peak to peak value.
- 6) At c.w. output power = 7 kW
- 7) Three-tone test method (vision carrier -8 dB, sound carrier -7 dB, sideband signal -17 dB with respect to peak sync = 0 dB).











AIR COOLED V.H.F. POWER TETRODE

Forced air cooled coaxial power tetrode in metal-ceramic construction primarily intended for use as a linear broad-band amplifier in T V transmitters in the bands I and III. This type is also very suitable for A. M. and F. M. broadcast, A. F. modulator applications, and in T V transposer service.

QUICK REFERENCE DATA

Class AB linear amplifier (vision)			
Frequency	f	175, 25	MHz
Anode voltage	V_a	3	kV
Output power in load	W_ℓ	1, 55	kW
Power gain	G	26	
Class B amplifier			
Frequency	f	260	MHz
Anode voltage	V_a	3, 5	kV
Output power in load	W_ℓ	2, 4	kW
Power gain	G	26	
TV transposer service			
Frequency	f	175 to 225	MHz
Anode voltage	V_a	2, 5	kV
Output power in load	W_ℓ	0, 55	kW
Power gain	G	30	

HEATING: direct; filament thoriated tungsten, mesh type.

Filament voltage	V_f	4, 2	V \pm 5%
Filament current	I_f	53	A
Filament peak starting current	I_{fD} max.	300	A
Cold filament resistance	R_{fO}	8, 5	m Ω
Waiting time	T_w min.	1	s

TYPICAL CHARACTERISTICS

Anode voltage	V_a	4	kV
Grid no. 2 voltage	V_{g2}	500	V
Anode current	I_a	0, 4	A
Transconductance	S	25	mA/V
Amplification factor	μ_{g2g1}	16	

CAPACITANCES

	grounded cathode		grounded grid	
Input	$C_{g1(a)}$	47	$C_{f(a)}$	24 pF
Output	$C_{a(g1)}$	9	$C_{a(f)}$	9 pF
Anode to grid no. 1	C_{ag1}	0, 1		pF
Anode to filament			C_{af}	< 0, 1 pF

TEMPERATURE LIMITS

Absolute max. envelope temperature	t_{env}	max.	240	°C
Recommended max. seal temperature	t	max.	200	°C

COOLING

See curves

Direction of air flow: see drawing.

ACCESSORIES

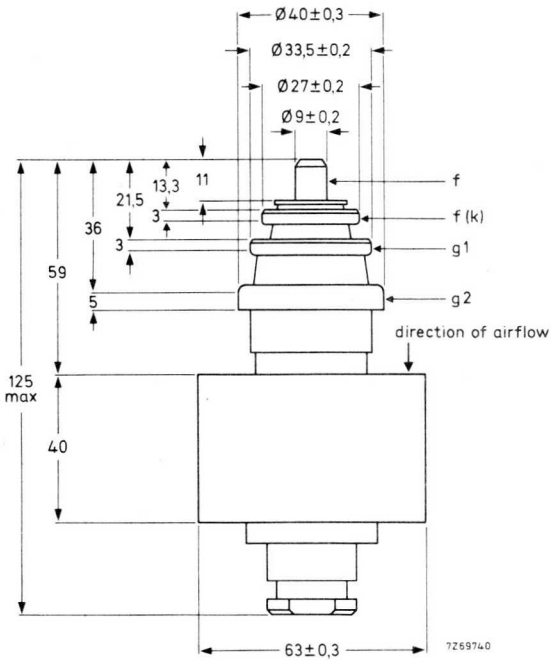
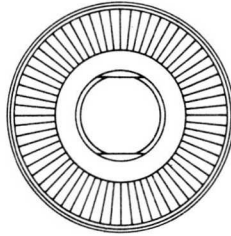
Band I amplifier circuit assembly (vision)	type 40755
Band I amplifier circuit assembly (sound)	type 40756
Band III amplifier circuit assembly (vision)	type 40743
Band III amplifier circuit assembly (sound)	type 40744

MECHANICAL DATA

Dimensions in mm

Net mass : approx. 0,55 kg

Mounting position: vertical with anode up or down.



R.F. CLASS B SERVICE

Unless otherwise specified the voltages are given with respect to the cathode.

LIMITING VALUES (Absolute max. rating system)

Frequency	f	up to	260	MHz
Anode voltage	V_a	max.	4	kV
Grid no. 2 voltage	V_{g2}	max.	700	V
Grid no. 1 voltage	$-V_{g1}$	max.	100	V
Anode current	I_a	max.	1, 2	A
Anode input power	W_{i_a}	max.	4	kW
Anode dissipation	W_a	max.	1, 5	kW
Grid no. 2 dissipation	W_{g2}	max.	50	W
Grid no. 1 dissipation	W_{g1}	max.	30	W
Cathode current	I_k	max.	1, 5	A
Grid no. 1 circuit resistance	R_{g1}	max.	10	k Ω

OPERATING CONDITIONS grounded grid

Frequency	f	up to	260	MHz
Anode voltage	V_a		3, 5	kV
Grid no. 2 voltage	V_{g2}		600	V
Grid no. 1 voltage	V_{g1}		- 30	V ²⁾
Anode current, no signal condition	I_a		100	mA
Anode current	I_a		980	mA
Grid no. 2 current	I_{g2}		70	mA
Grid no. 1 current	I_{g1}		120	mA
Anode input power	W_{i_a}		3, 43	kW
Anode dissipation	W_a		0, 9	kW
Output power in load	W_l		2, 4	kW
Efficiency, total	η		70	%
Driving power	W_{dr}		90	W
Power gain	$\frac{W_l}{W_{dr}}$		≈ 26	

²⁾ See page 8

R.F. CLASS AB LINEAR AMPLIFIER FOR TELEVISION SERVICE

Negative modulation, positive synchronization (C.C.I.R. system).

Unless otherwise specified the voltages are given with respect to the cathode.

LIMITING VALUES (Absolute max. rating system)

Frequency	f	up to	260	MHz
Anode voltage	V_a	max.	4	kV
Grid no. 2 voltage	V_{g2}	max.	700	V
Grid no. 1 voltage	$-V_{g1}$	max.	100	V
Anode current, black	I_a black	max.	1	A
Anode input power, black	W_{i_a} black	max.	4	kW
Anode dissipation	W_a	max.	1,5	kW
Grid no. 2 dissipation	W_{g2}	max.	50	W
Grid no. 1 dissipation	W_{g1}	max.	30	W
Cathode current	I_k	max.	1,5	A
Grid no. 1 circuit resistance	R_{g1}	max.	10	k Ω

OPERATING CONDITIONS grounded grid.

Frequency of vision carrier	f	175, 25	MHz	
Bandwidth (-1 dB)	B	7	8	MHz 1)
Anode voltage	V_a	3	2,5	kV
Grid no. 2 voltage	V_{g2}	500	500	V
Grid no. 1 voltage	V_{g1}	-23	-14	V 2)
Anode current, no signal condition	I_a	200	400	mA
Anode current, black	I_a black	700	600	mA 3)
Grid no. 2 current, black	I_{g2} black	50	40	mA 3)
Grid no. 1 current, black	I_{g1} black	60	30	mA 3)
Output power in load, sync	W_l sync	1550	700	W
black	W_l black	930	420	W 3)
Driving power, sync	W_{dr} sync	60	30	W
black	W_{dr} black	32,5	17	W
Gain, sync	G_{sync}	26	23	
black	G_{black}	28,6	24,7	
Sync compression	sync in/out	28/25	27/25	4)
Differential phase		< 3	< 3	o 5)
Differential gain		≥ 85	≥ 85	%
Anode resistance	$R_a \sim$	1,8	1,6	k Ω 1)

Notes: see page 8

+ Detailed information on definitions of terms and application suggestions are available on request.

R.F. CLASS AB AMPLIFIER FOR TELEVISION TRANSPOSER SERVICE , grounded grid

LIMITING VALUES

See page 5 .

OPERATING CONDITIONS , grounded grid

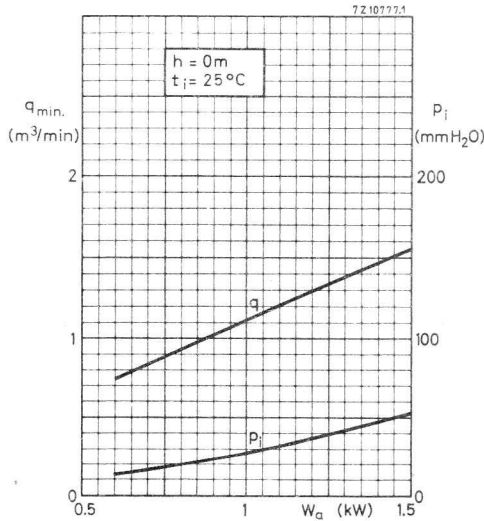
Negative modulation, positive synchronization, combined sound and vision
(CCIR standard G)

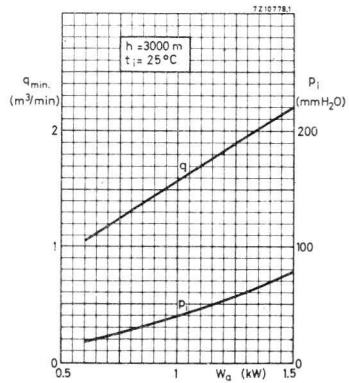
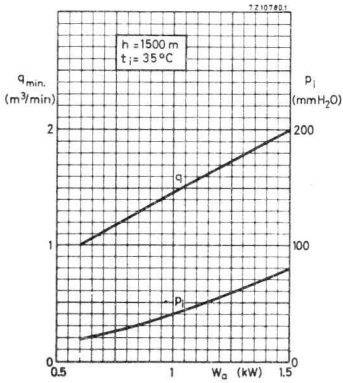
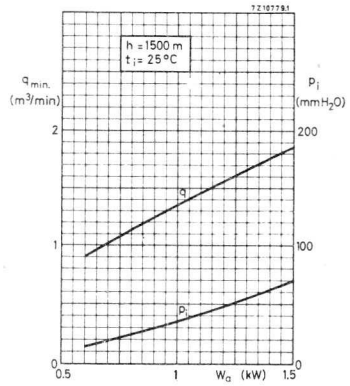
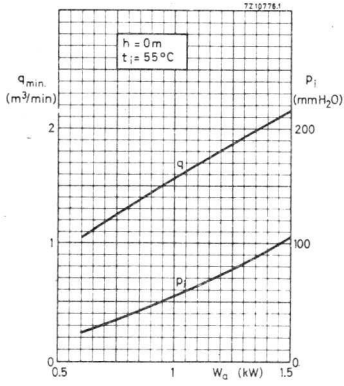
Frequency	f	175 to 225	MHz
Bandwidth (-1 dB)	B	8	MHz
Anode voltage	V_a	2,5	kV
Grid no. 2 voltage	V_{g2}	600	V
Grid no. 1 voltage ²⁾	V_{g1}	-13,5	V
Anode current, no signal condition	I_a	550	mA
Anode current ⁶⁾	I_a	730	mA
Grid no. 2 current ⁶⁾	I_{g2}	50	mA
Grid no. 1 current ⁶⁾	I_{g1}	35	mA
Driving power, sync	W_{dr}	18	W
Output power in load, sync	W_ℓ	0,55	kW
Power gain	G	30	-
Intermodulation products ⁷⁾	d	-52	dB

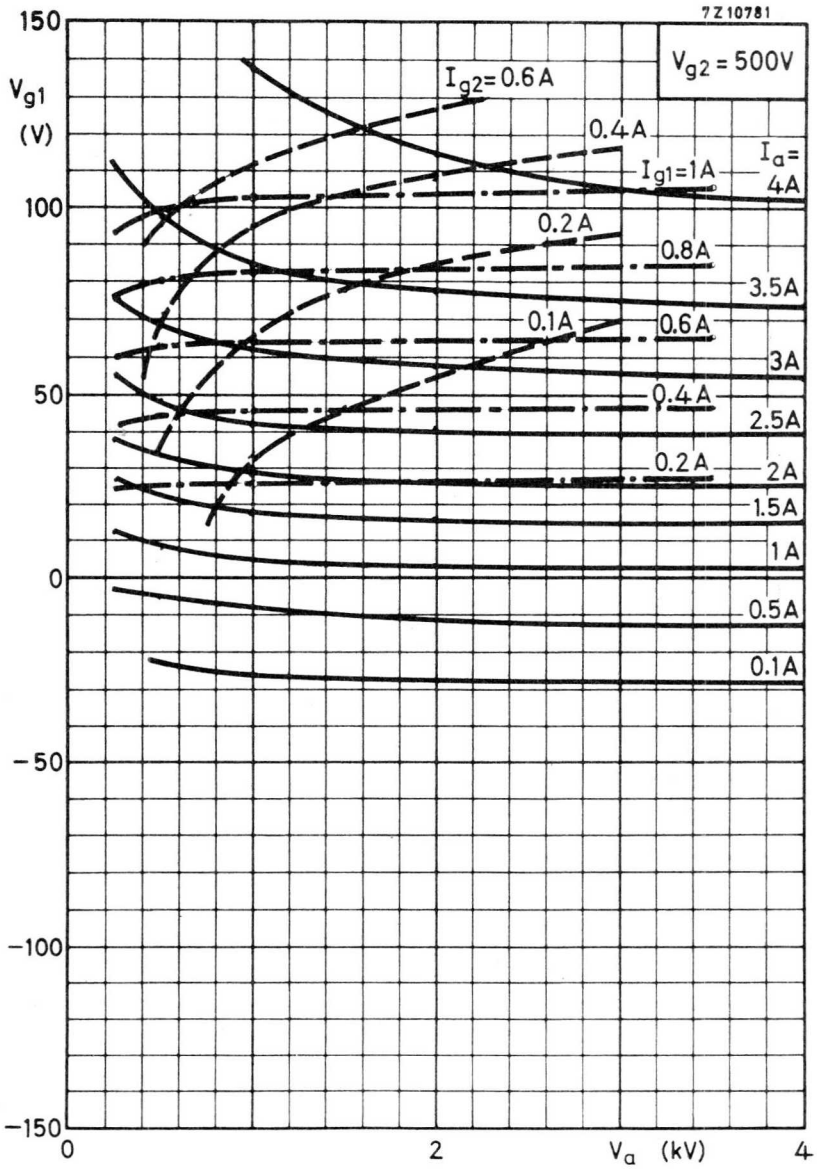
Notes: see page 8

NOTES

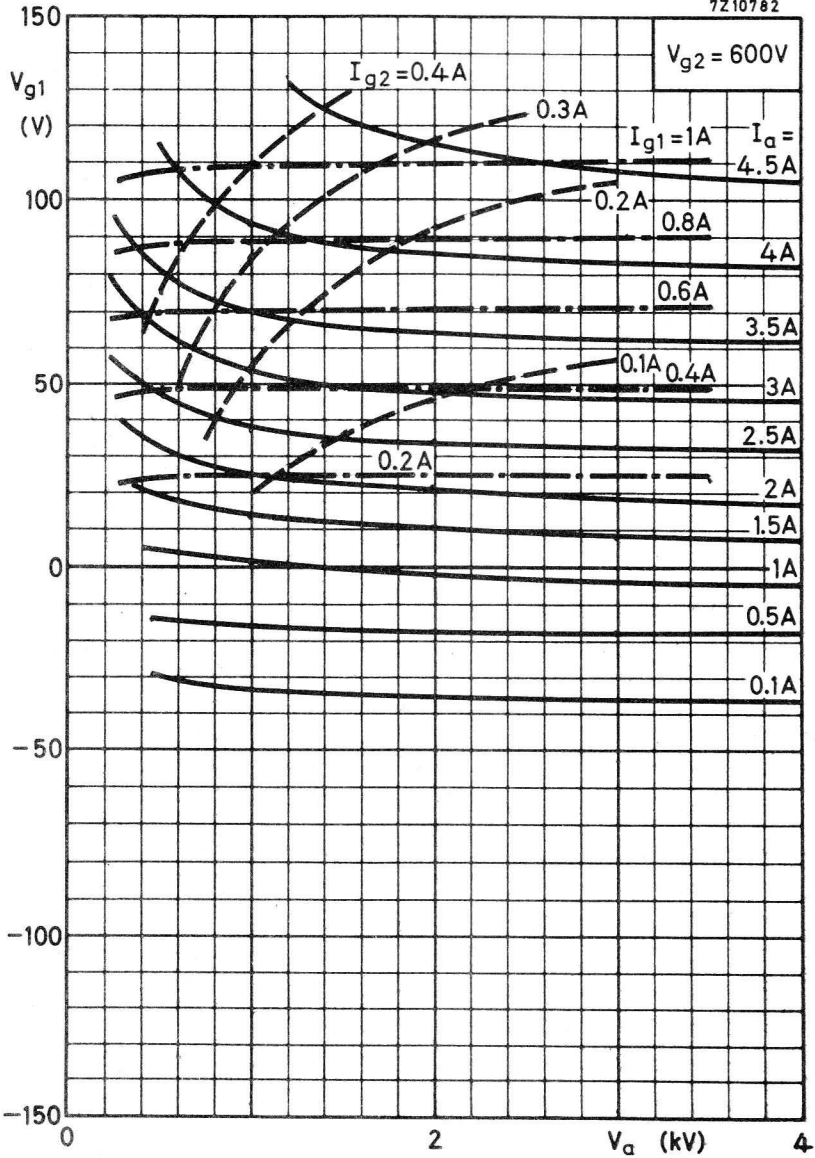
- 1) With double tuned circuit.
- 2) To be adjusted for the stated no signal anode current.
- 3) Black signal including line sync pulses.
- 4) A picture/sync ratio of 75/25 for the outgoing signal requires a ratio of max. 70/30 for the incoming signal in which case the sync compression sync in/out = 30/25.
- 5) Measured with a saw tooth amplitude, running from 17% to 75% of the peak sync value, with superimposed a 4,43 MHz sine wave with a 10% peak to peak value.
- 6) At c.w. output power = 550 W
- 7) Three-tone test method (vision carrier -8 dB, sound carrier -7 dB, sideband signal -17 dB with respect to peak sync = 0 dB).



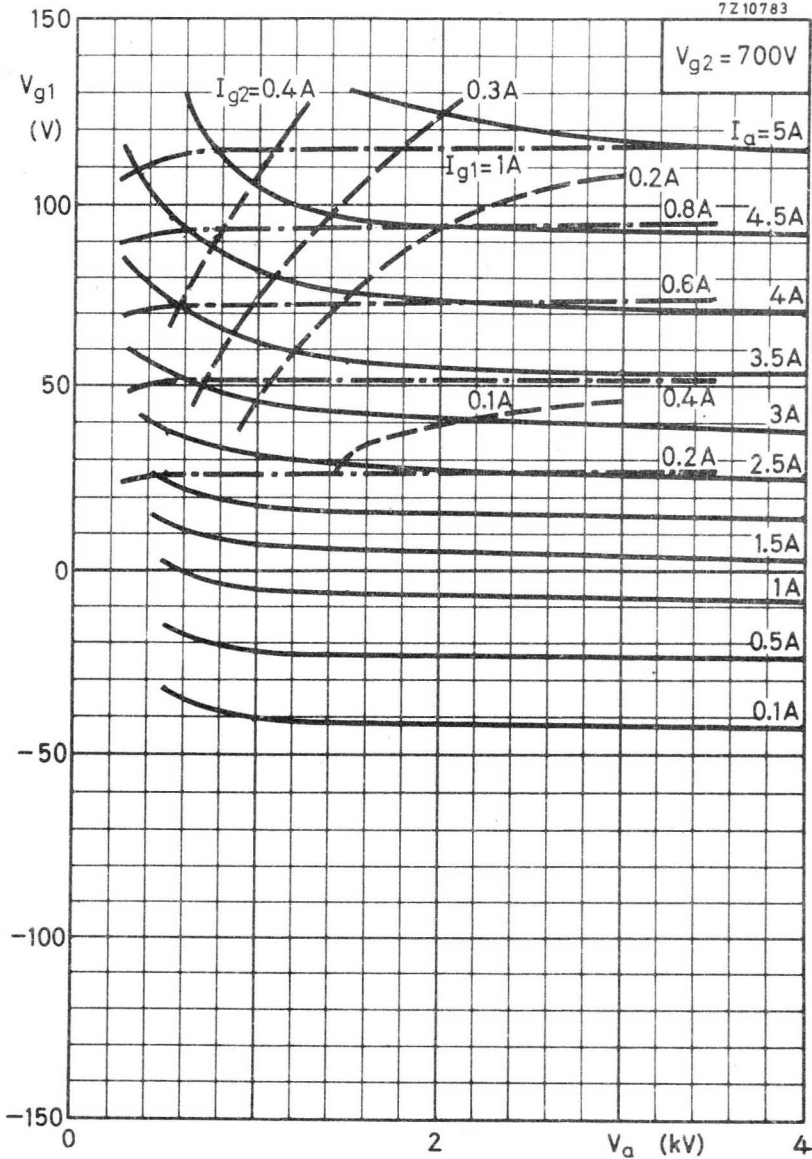




7Z10782



7Z10783



R.F. POWER TETRODE

Mesh-type cathode version of QB4/1100.

With this tube in centre-tapped filament transformer arrangement the hum level is reduced to better than -60 dB.

For data and curves of this type please refer to type QB4/1100.

R.F. POWER TETRODE

Mesh-type cathode version of QB4/1100GA.

With this tube in centre-tapped filament transformer arrangement the hum level is reduced to better than -60 dB.

For data and curves of this type please refer to type QB4/1100GA.

AIR COOLED V.H.F. POWER TETRODE

Forced air cooled coaxial power tetrode in metal-ceramic construction primarily intended for use as final amplifier in F.M. transmitters in band II in grounded cathode circuits.

QUICK REFERENCE DATA

Frequency (MHz)	H. F. Class-B amplifier		
	V_a (kV)	W_ℓ (kW)	Power gain (dB)
110	6	6	23
	7	11	22

HEATING : Direct; filament thoriated tungsten, mesh type

Filament voltage	V_f	6,3	V \pm 5 %
Filament current	I_f	120	A
Filament peak starting current	I_{fp} max.	750	A
Cold filament resistance	R_{f0}	6	m Ω
Waiting time	T_w min.	1	s

CAPACITANCES

Input	$C_{g1(a)}$	87	pF
Output	$C_{a(g1)}$	20	pF
Anode to grid no.1	C_{ag1}	0,5	pF

TYPICAL CHARACTERISTICS

Anode voltage	V_a	5	kV
Grid no.2 voltage	V_{g2}	600	V
Anode current	I_a	1,2	A
Transconductance	S	30	mA/V
Amplification factor	μ_{g2g1}	7,2	-

TEMPERATURE LIMITS

Absolute max. envelope temperature	t_{env} max.	240	$^{\circ}$ C
Recommended max. seal temperature	t max.	200	$^{\circ}$ C

COOLING

In order to keep the temperature of the seals below the maximum permissible value, it may be necessary to direct an air flow to the seals.

Anode cooling: see cooling curves.

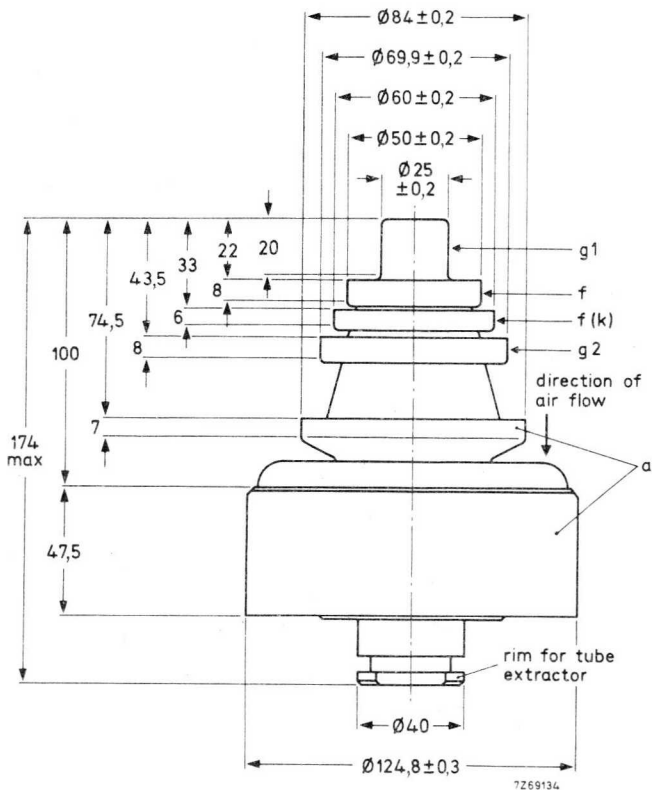
Direction of air flow: see outline drawing.

MECHANICAL DATA

Dimensions in mm

Net mass : approx. 3,1 kg

Mounting position: vertical with anode up or down.



ACCESSORIES

→ Band II amplifier circuit assembly

type

40775

R.F. CLASS-B AMPLIFIER

LIMITING VALUES (Absolute max. rating system)

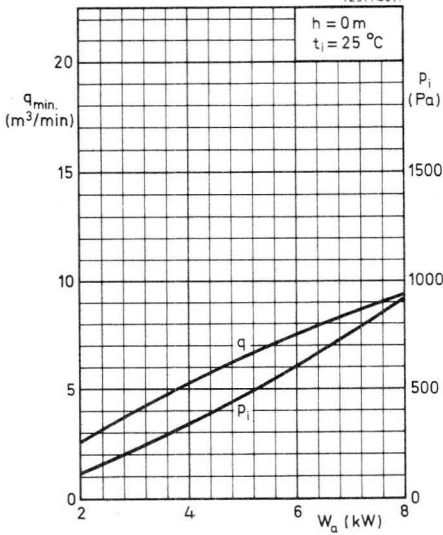
Frequency	f	up to	200	MHz	←
Anode voltage	V_a	max.	8,5	kV	
Grid no.2 voltage	V_{g2}	max.	1	kV	
Grid no.1 voltage	$-V_{g1}$	max.	500	V	
Anode current	I_a	max.	4	A	
Anode input power	W_{ia}	max.	18,5	kW	
Anode dissipation	W_a	max.	8	kW	
Grid no.2 dissipation	W_{g2}	max.	80	W	
Grid no.1 dissipation	W_{g1}	max.	40	W	
Cathode current	I_k	max.	4,5	A	

OPERATING CONDITIONS grounded cathode

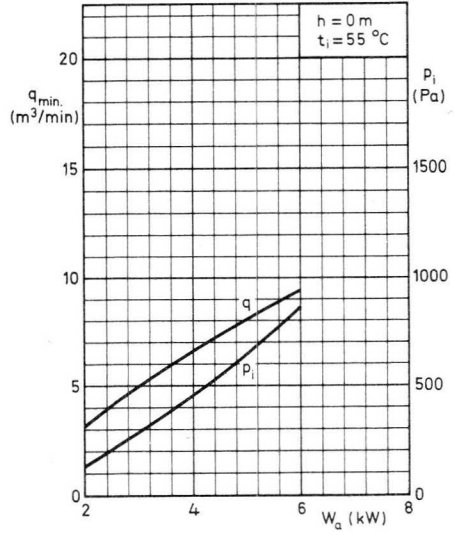
Frequency	f	87 to 110	87 to 110	MHz	←
Anode voltage	V_a	7	6	kV	
Grid no.2 voltage	V_{g2}	700	700	V	
Grid no.1 voltage	V_{g1}	-105	100	V ¹⁾	
Anode current, no-signal condition	I_a	600	600	mA	
Anode current	I_a	2,3	1,6	A	
Grid no.2 current	I_{g2}	40	70	mA	
Grid no.1 current	I_{g1}	150	90	mA	
Anode input power	W_{ia}	16,1	9,6	kW	
Anode dissipation	W_a	4,6	3,5	kW	
Output power in load	W_ℓ	11	6	kW	
Efficiency, total	η	68	63	%	
Driving power	W_{dr}	70	30	W	
Power gain	$\frac{W_\ell}{W_{dr}}$	22	23	dB	

¹⁾ To be adjusted for the stated no-signal anode current.

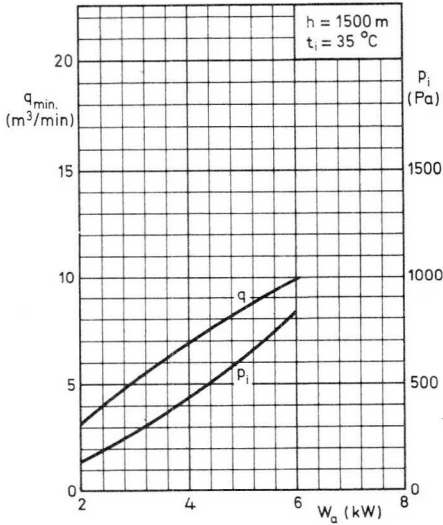
7267748.1



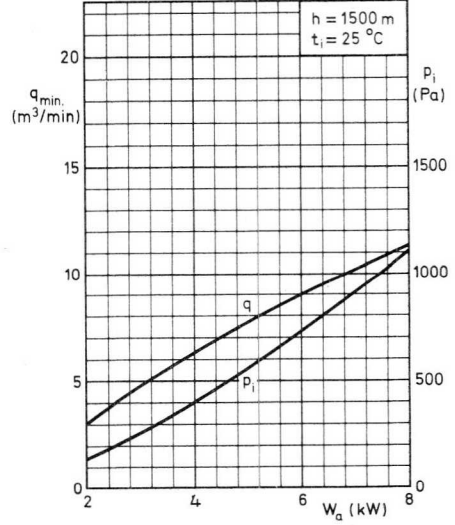
7267749.1



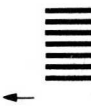
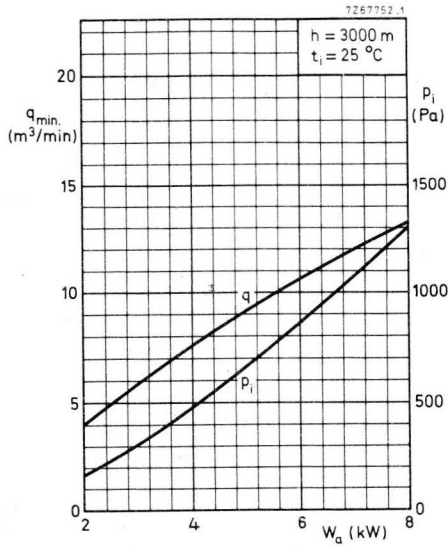
7267751.1



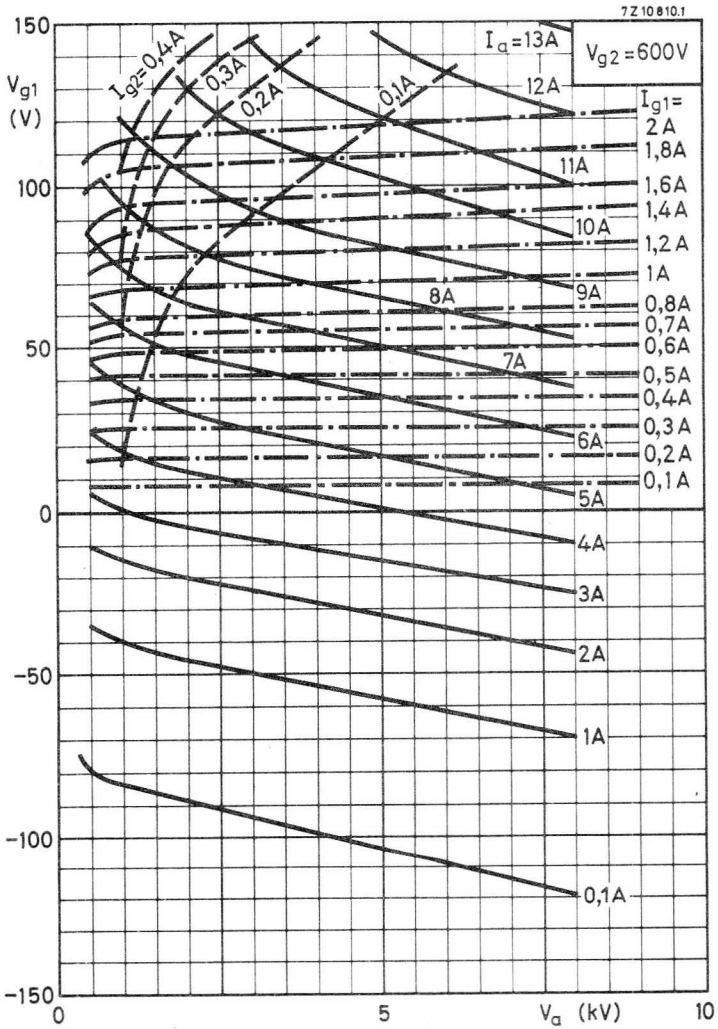
7267750.1

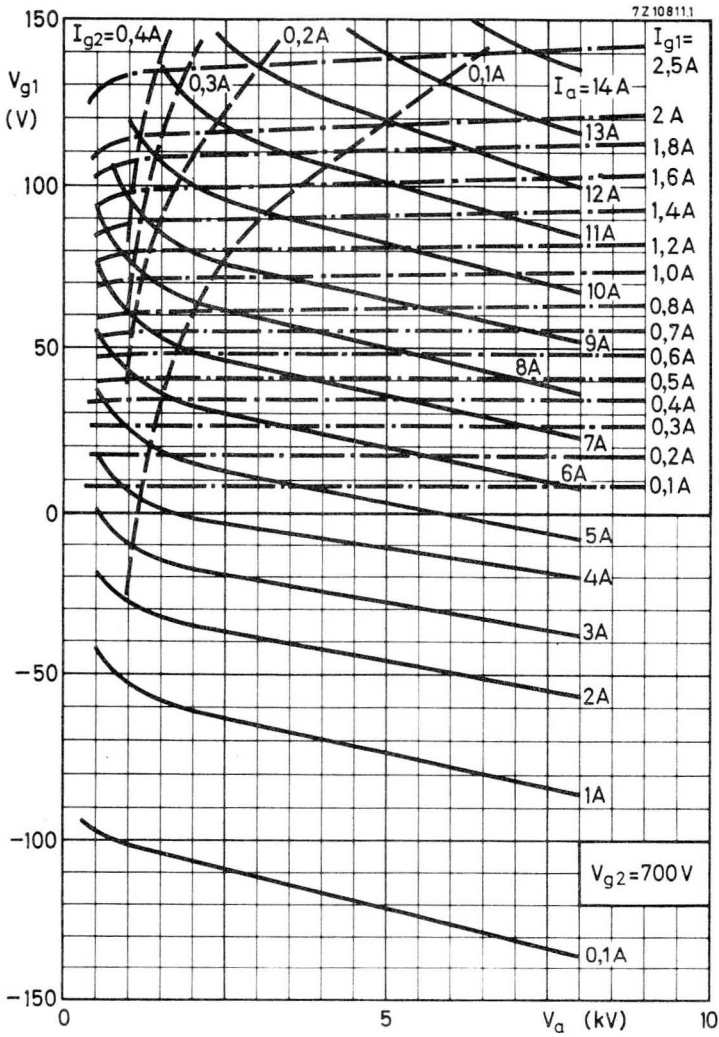


1 Pa \approx 0, 1 mm H₂O.



1 Pa \approx 0,1 mm H₂O.







AIR COOLED V.H.F. POWER TETRODE

Forced air cooled coaxial power tetrode in metal-ceramic construction primarily intended for use as a linear broad-band amplifier in T V transmitters in the bands I and III. This type is also very suitable for A.M. and F.M. broadcast and A.F. modulator applications, and in T V transposer service.

QUICK REFERENCE DATA

QUICK REFERENCE DATA			
Class AB linear amplifier (vision)			
Frequency	f	175, 25	MHz
Anode voltage	V_a	8	kV
Output power in load	W_ℓ	27, 5	kW
Power gain	G	28, 5	
Class C telegraphy or F.M. telephony			
Frequency	f	260	MHz
Anode voltage	V_a	8, 5	kV
Output power in load	W_ℓ	25	kW
Power gain	G	31	
Television transposer service			
Frequency	f	175 to 225	MHz
Anode voltage	V_a	8	kV
Output power in load	W	10, 5	kW
Power gain	G	42	

HEATING : direct; filament thoriated tungsten, mesh type.

Filament voltage	V_f	11, 5	$V \pm 5 \%$
Filament current	I_f	120	A
Filament peak starting current	I_{fp} max.	750	A
Cold filament resistance	R_{f0}	10, 5	$m\Omega$
Waiting time	T_w min.	1	s

TYPICAL CHARACTERISTICS

Anode voltage	V_a	8	kV
Grid no. 2 voltage	V_{g_2}	700	V
Anode current	I_a	2,4	A
Transconductance	S	60	mA/V
Amplification factor	μ	8,5	

CAPACITANCES

	grounded cathode		grounded grid	
Input	$C_{g_1(a)}$	135	$C_{f(a)}$	69 pF
Output	$C_{a(g_1)}$	23	$C_{a(f)}$	23 pF
Anode to grid no. 1	C_{ag_1}	0,85		pF
Anode to filament			C_{af}	0,25 pF

TEMPERATURE LIMITS

Absolute max. envelope temperature	t_{env}	max.	240	$^{\circ}C$
Recommended max. seal temperature	t	max.	200	$^{\circ}C$

COOLING

See cooling curves.

Direction of airflow: see outline drawing.

→ ACCESSORIES

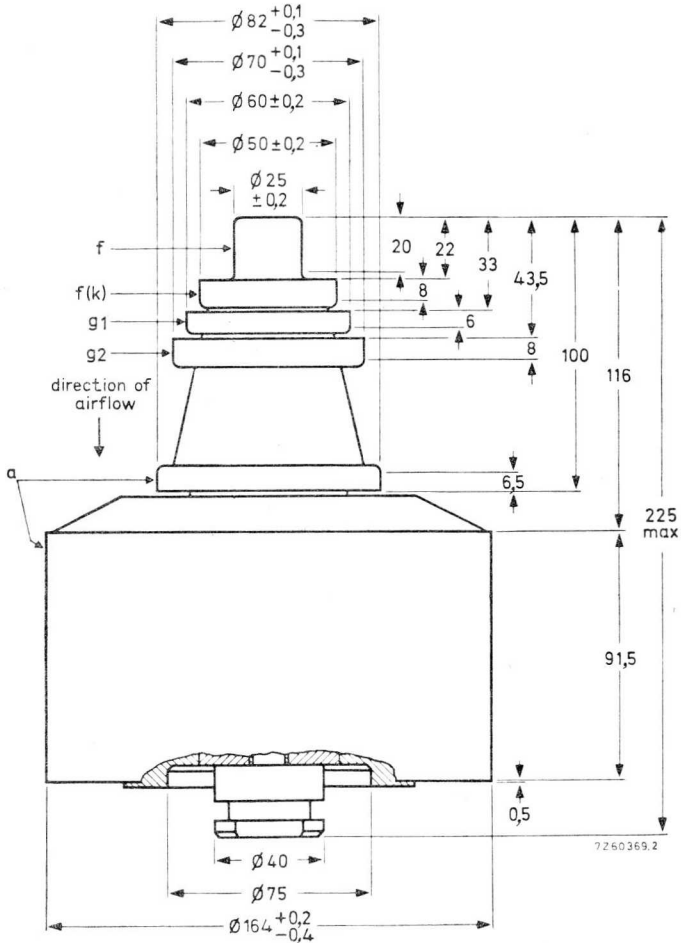
Band I amplifier circuit assembly (vision)	type	40759
Band I amplifier circuit assembly (sound)	type	40760
Band III amplifier circuit assembly (vision)	type	40768
Band III amplifier circuit assembly (sound)	type	40769

MECHANICAL DATA

Dimensions in mm

Net weight : approx. 11 kg

Mounting position : vertical with anode up or down



R.F. CLASS AB AMPLIFIER FOR TELEVISION TRANSPOSER SERVICE , grounded grid

LIMITING VALUES

See page 4

OPERATING CONDITIONS , grounded grid

Negative modulation, positive synchronization, combined sound and vision
(CCIR standard G)

Frequency		f	175 to 225	MHz
Bandwidth (-1 dB)		B	8	MHz
Anode voltage		V_a	8	kV
Grid no. 2 voltage		V_{g2}	900	V
Grid no. 1 voltage	1)	V_{g1}	-95	V
Anode current, no signal condition		I_a	1,8	A
Anode current	6)	I_a	3,3	A
Grid no. 2 current	6)	I_{g2}	35	mA
Grid no. 1 current	6)	I_{g1}	20	mA
Driving power, sync		W_{dr}	250	W
Output power in load, sync		W_f	10,5	kW
Power gain		G	42	-
Intermodulation products	7)	d	-55	dB

Notes : See page 5.

R.F. CLASS C TELEGRAPHY or F.M. TELEPHONY

LIMITING VALUES (Absolute max. rating system)

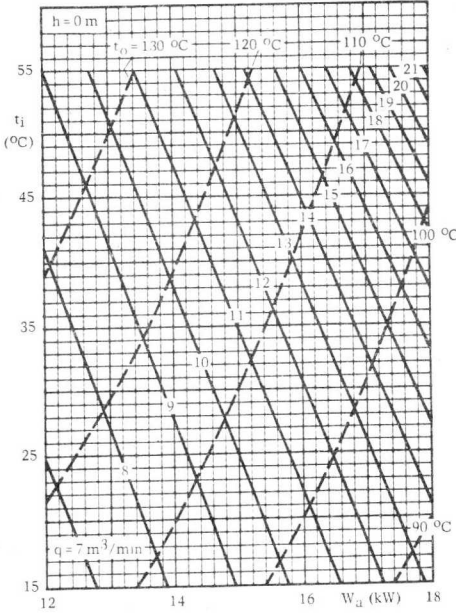
Frequency	f	up to	260 MHz
Anode voltage	V_a	max.	9,5 kV
Grid no. 2 voltage	V_{g2}	max.	1 kV
Grid no. 1 voltage	$-V_{g1}$	max.	500 V
Anode current	I_a	max.	7 A
Anode input power	W_{ia}	max.	42 kW
Anode dissipation	W_a	max.	18 kW
Grid no. 2 dissipation	W_{g2}	max.	100 W
Grid no. 1 dissipation	W_{g1}	max.	50 W
Cathode current	I_k	max.	9 A

OPERATING CONDITIONS

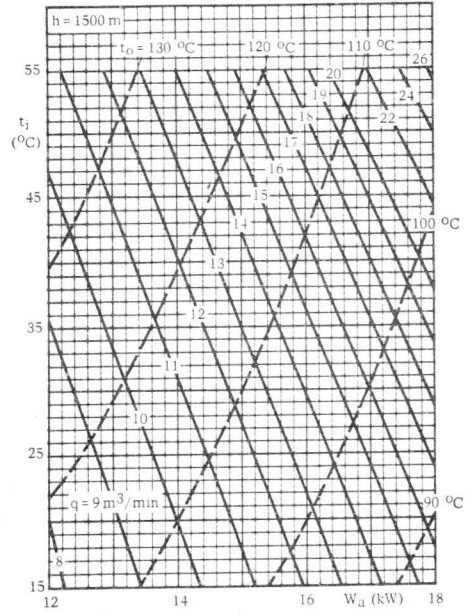
Frequency	f	260 MHz
Anode voltage	V_a	8,5 kV
Grid no. 2 voltage	V_{g2}	700 V
Grid no. 1 voltage	V_{g1}	-106 V ¹⁾
Anode current, no signal condition	I_a	300 mA
Anode current	I_a	4,6 A
Grid no. 2 current	I_{g2}	100 mA
Grid no. 1 current	I_{g1}	325 mA
Anode input power	W_{ia}	39,1 kW
Anode dissipation	W_a	14 kW
Output power in load	W_ℓ	25 kW
Efficiency, total		64 %
Driving power	W_{dr}	800 W
Power gain	$\frac{W_\ell}{W_{dr}}$	31

Note : See page 5

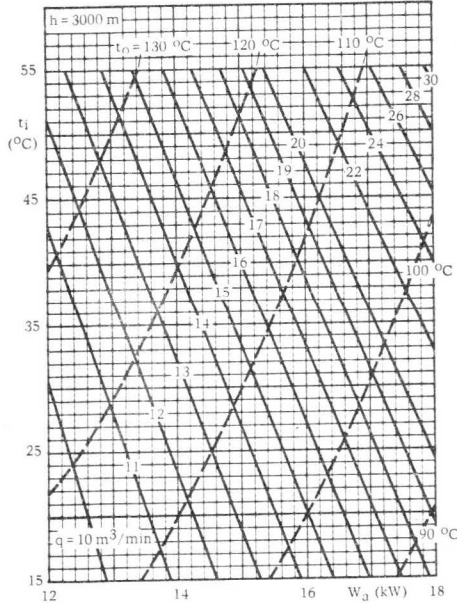
726277

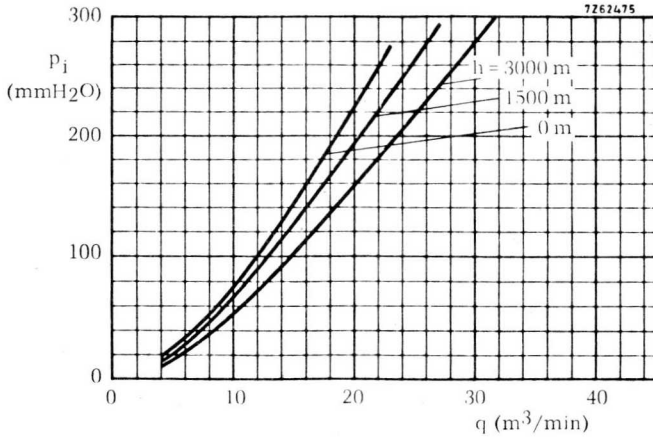


726278

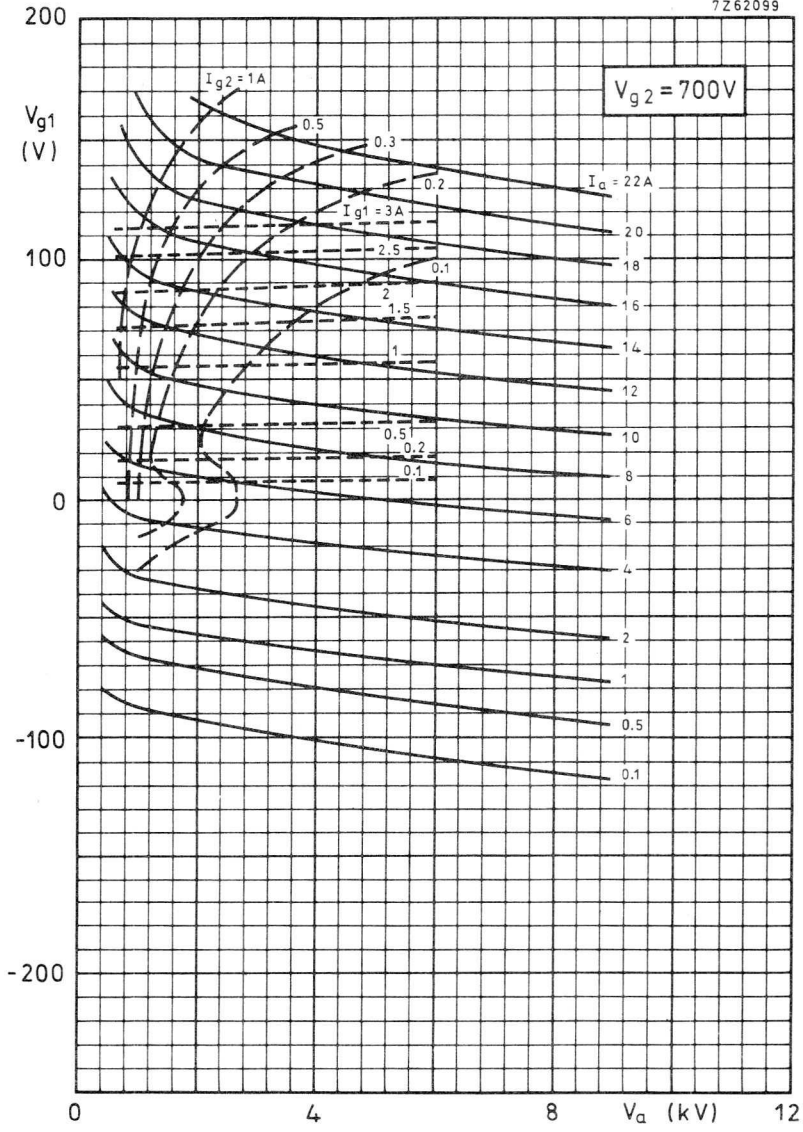


726276





7Z62099



R.F. POWER TETRODE

Forced-air cooled tetrode intended for use as R.F. power amplifier and oscillator. The 7609 is shock and vibration resistant.

QUICK REFERENCE DATA							
Freq. (MHz)	C teleg.		C _{ag2} mod.		AB mod.		
	V _a (V)	W _o (W)	V _a (V)	W _o (W)	V _a (V)	W _o (W) ¹	W _o (W) ²
< 150	2000	370	1600	230	2000	580	630
	1500	260	1200	160	1500	400	440
165	1250	195	1000	140	1000	230	270
	1000	150	800	100	800	170	215
	750	110	600	80	Freq. (MHz)	B television	
600	85	400	55	V _a (V)		W _o sync (W)	
500	1250	140			216	1250	250
	1000	120				1000	200
	800	95				750	135
	600	50					

HEATING: Indirect by A.C. or D.C.; cathode oxide coated

Heater voltage	V _f	26.5 V
Heater current	I _f	570 mA
Waiting time	T _w	min. 30 s

CAPACITANCES

Grid No. 1 to all except anode	C _{g1(a)}	15.5 pF
Anode to all except grid No. 1	C _{a(g1)}	4.0 pF
Anode to grid No. 1	C _{ag1}	0.03 pF

¹) Without grid current, two tubes.

²) With grid current, two tubes.

TYPICAL CHARACTERISTICS

Anode voltage	V_a	500 V
Grid No. 2 voltage	V_{g2}	250 V
Anode current	I_a	200 mA
Transconductance	S	12 mA/V
Amplification factor	μ_{g2g1}	5 -

TEMPERATURE LIMITS (Absolute max. rating system)

Anode temperature measured on base end of anode surface at junction with fins	t_a	max. 250 °C
Anode seal temperature	t_s	max. 200 °C
Base seals and grid No. 2 seal temperature	t_s	max. 175 °C

COOLING air inlet temperature $t_i = 20$ °C, altitude $h = 0$ m ¹⁾

With an air system socket

Air flow	q	0.16 m ³ /min
Pressure drop	p_i	7 mm H ₂ O

Without an air system socket

Air flow	q	0.15 m ³ /min
Pressure drop	p_i	7 mm H ₂ O

¹⁾ At higher altitudes and ambient temperatures, an increase in air flow is necessary to maintain the respective seal temperatures and the anode temperature within the maximum ratings.

With an air system socket

The air is directed over the base seals, past the grid No. 2 seal, glass envelope and anode seal, and through the radiator to provide effective cooling with minimum air flow.

Without air system socket

Adequate cooling air must be directed over the base seals, past the envelope, and through the radiator.

ACCESSORIES

- Socket Johnson 124-110-1
- Chimney Johnson 124-111-1 or equivalent

SHOCK AND VIBRATION RESISTANCE

Shock

The tube is subjected 5 times in each of 4 positions to an acceleration of 500 g supplied by an NRL shock machine with the hammer lifted over an angle of 30°.

Vibration

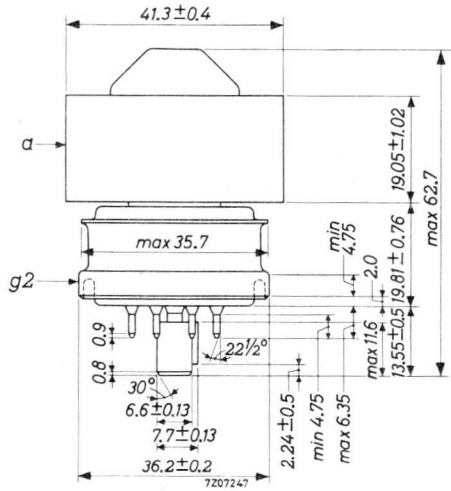
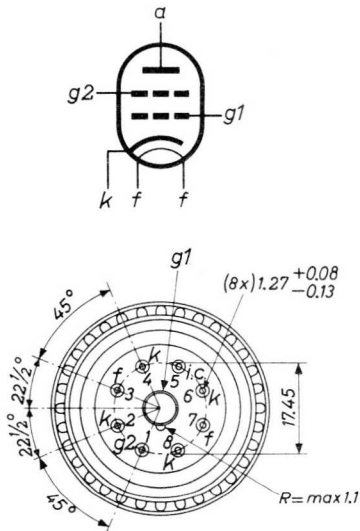
The tube is subjected to vibration frequencies from 25 Hz to 2000 Hz with an acceleration of 10 g.

MECHANICAL DATA

Dimensions in mm

Net weight : approx. 140 g

Mounting position: any



R.F. CLASS C TELEGRAPHY OR F.M. TELEPHONY

LIMITING VALUES (Absolute max. rating system)

Frequency	f	up to 150	150 to 500	MHz
Anode voltage	V_a	max. 2000	1250	V
Anode current	I_a	max. 250	250	mA
Anode dissipation	W_a	max. 250	250	W
Grid No. 2 voltage	V_{g2}	max. 300	300	V
Grid No. 2 dissipation	W_{g2}	max. 12	12	W
Grid No. 1 voltage, negative	$-V_{g1}$	max. 250	250	V
Grid No. 1 dissipation	W_{g1}	max. 2	2	W
Grid No. 1 circuit resistance	R_{g1}	max. 25	25	k Ω
Cathode to heater voltage, peak	V_{kf_p}	max. 150	150	V

OPERATING CONDITIONS

Frequency	f	up to 150	150	MHz
Anode voltage	V_a	2000	1500	V
Grid No. 2 voltage	V_{g2}	250	250	V
Grid No. 1 voltage	V_{g1}	-88	-88	V
Grid No. 1 driving voltage	V_{g1p}	110	110	V
Anode current	I_a	250	250	mA
Grid No. 2 current	I_{g2}	24	24	mA
Grid No. 1 current	I_{g1}	8	8	mA
Driving power	W_{dr}	2.5	1.5	W
Anode input power	W_{i_a}	500	375	W
Output power	W_o	370	260	W

OPERATING CONDITIONS (continued)

Frequency	f	165	165	165	165	MHz
Anode voltage	V_a	1250	1000	750	600	V
Grid No. 2 voltage	V_{g_2}	250	250	250	250	V
Grid No. 1 voltage	V_{g_1}	-90	-80	-80	-75	V
Grid No. 1 driving voltage	$V_{g_{1p}}$	106	95	96	91	V
Anode current	I_a	200	200	200	200	mA
Grid No. 2 current	I_{g_2}	20	31	37	37	mA
Grid No. 1 current	I_{g_1}	11	10	11	11	mA
Driving power	W_{dr}	1.2	1	1	1	W
Anode input power	W_{i_a}	250	200	150	120	W
Output power	W_o	195	150	110	85	W

OPERATING CONDITIONS with coaxial cavity

Frequency	f	500	500	500	500	MHz
Anode voltage	V_a	1250	1000	800	600	V
Grid No. 2 voltage	V_{g_2}	280	250	250	250	V
Grid No. 1 voltage	V_{g_1}	-115	-110	-110	-110	V
Anode current	I_a	200	200	200	170	mA
Grid No. 2 current	I_{g_2}	5	7	7	6	mA
Grid No. 1 current	I_{g_1}	10	10	10	6	mA
Driving power	W_{dr}	30	25	20	15	W
Anode input power	W_{i_a}	250	200	160	100	W
Output power	W_o	140	120	95	50	W

R.F. CLASS C ANODE AND SCREEN GRID MODULATION

LIMITING VALUES (Absolute max. rating system)

Frequency	f	up to 150	150 to 500 MHz
Anode voltage	V_a	max. 1600	1000 V
Anode current	I_a	max. 200	200 mA
Anode dissipation	W_a	max. 165	165 W
Grid No.2 voltage	V_{g2}	max. 300	300 V
Grid No.2 dissipation	W_{g2}	max. 10	10 W
Grid No.1 voltage, negative	$-V_{g1}$	max. 250	250 V
Grid No.1 dissipation	W_{g1}	max. 2	2 W
Grid No.1 circuit resistance	R_{g1}	max. 25	25 $k\Omega$
Cathode to heater voltage, peak	V_{kf_p}	max. 150	150 V

OPERATING CONDITIONS

Frequency	f	up to 150	150 MHz
Anode voltage	V_a	1600	1200 V
Grid No.2 voltage	V_{g2}	250	250 V
Grid No.1 voltage	V_{g1}	-118	-118 V ¹⁾
Anode current	I_a	200	200 mA
Grid No.2 current	I_{g2}	23	23 mA
Grid No.1 current	I_{g1}	5	5 mA
Driving power	W_{dr}	3	2 W
Anode input power	W_{i_a}	320	240 W
Output power	W_o	230	160 W
Modulation depth	m	100	100 %
Modulator output power	$W_{o\text{mod}}$	115	80 W
Grid No.2 mod. voltage, peak	$V_{g2p\text{mod}}$	200	180 V

¹⁾ Obtained from a grid resistor or from a combination of grid resistor with either fixed supply or cathode resistor.

OPERATING CONDITIONS(continued)

Frequency	f	165	165	165	165	MHz
Anode voltage	V_a	1000	800	600	400	V
Grid No.2 voltage	V_{g2}	250	250	250	250	V
Grid No.1 voltage	V_{g1}	-105	-100	-95	-90	V
Anode current	I_a	200	200	200	200	mA
Grid No.2 current	I_{g2}	20	25	35	40	mA
Grid No.1 current	I_{g1}	15	10	8	7	mA
Driving power	W_{dr}	2	1.5	1	1	W
Anode input power	W_{ia}	200	160	120	80	W
Output power	W_o	140	100	80	55	W
Modulation depth	m	100	100	100	100	%
Modulator output power	$W_{o\ mod}$	70	50	40	27.5	W
Grid No.2 mod.voltage, peak	$V_{g2p\ mod}$	170	160	150	140	V

A.F. CLASS AB AMPLIFIER AND MODULATOR**LIMITING VALUES** (Absolute max. rating system)

Anode voltage	V_a	max. 2000	V
Anode current	I_a	max. 250	mA
Anode dissipation	W_a	max. 250	W
Grid No.2 voltage	V_{g2}	max. 400	V
Grid No.2 dissipation	W_{g2}	max. 12	W
Grid No.1 dissipation	W_{g1}	max. 2	W
Grid No.1 circuit resistance	R_{g1}	max. 100	k Ω
Cathode to heater voltage, peak	V_{kfp}	max. 150	V

OPERATING CONDITIONS two tubes in push-pull

Anode voltage	V_a	1000		800	V
Grid No. 2 voltage	V_{g_2}	300		300	V
Grid No. 1 voltage	V_{g_1}	-43		-40	V
Load resistance	$R_{aa} \sim$	4250		4400	Ω
Driving voltage	V_{ggp}	0	86	0	80 V
Anode current	I_a	2x82.5	2x225	2x105	2x218 mA
Grid No. 2 current	I_{g_2}	-	2x26	-	2x38 mA
Grid No. 1 current	I_{g_1}	0	0	0	0 mA
Anode input power	W_{i_a}	2x82.5	2x225	2x84	2x175 W
Anode dissipation	W_a	2x82.5	2x110	2x84	2x90 W
Output power	W_o	0	230	0	170 W
Anode voltage	V_a	2000		1500	V
Grid No. 2 voltage	V_{g_2}	300		300	V
Grid No. 1 voltage	V_{g_1}	-50		-50	V
Load resistance	$R_{aa} \sim$	8760		6570	Ω
Driving voltage	V_{ggp}	0	100	0	100 V
Anode current	I_a	2x50	2x235	2x50	2x228 mA
Grid No. 2 current	I_{g_2}	-	2x18	-	2x21 mA
Grid No. 1 current	I_{g_1}	0	0	0	0 mA
Anode input power	W_{i_a}	2x100	2x470	2x75	2x340 W
Anode dissipation	W_a	2x100	2x180	2x75	2x140 W
Output power	W_o	0	580	0	400 W

OPERATING CONDITIONS (continued)

Anode voltage	V_a	1000	800	V
Grid No.2 voltage	V_{g2}	300	300	V
Grid No.1 voltage	V_{g1}	-45	-40	V
Load resistance	$R_{aa\sim}$	3950	3140	Ω
Driving voltage	V_{ggp}	0 98	0 90	V
Driving power	W_{dr}	- 0.15	- 0.15	W
Anode current	I_a	2x83 2x247	2x105 2x250	mA
Grid No.2 current	I_{g2}	- 2x29	- 2x40	mA
Anode input power	W_{i_a}	2x83 2x247	2x84 2x200	W
Anode dissipation	W_a	2x83 2x112	2x84 2x93	W
Output power	W_o	0 270	0 215	W
Anode voltage	V_a	2000	1500	V
Grid No.2 voltage	V_{g2}	300	300	V
Grid No.1 voltage	V_{g1}	-50	-50	V
Load resistance	$R_{aa\sim}$	8100	5970	Ω
Driving voltage	V_{ggp}	0 106	0 106	V
Driving power	W_{dr}	- 0.2	- 0.2	W
Anode current	I_a	2x50 2x250	2x50 2x250	mA
Grid No.2 current	I_{g2}	- 2x18	- 2x18	mA
Anode input power	W_{i_a}	2x100 2x500	2x75 2x375	W
Anode dissipation	W_a	2x100 2x185	2x75 2x155	W
Output power	W_o	0 630	0 440	W

R.F. CLASS B AMPLIFIER FOR TELEVISION SERVICE , negative modulation, positive synchronisation

LIMITING VALUES (Absolute max. rating system)

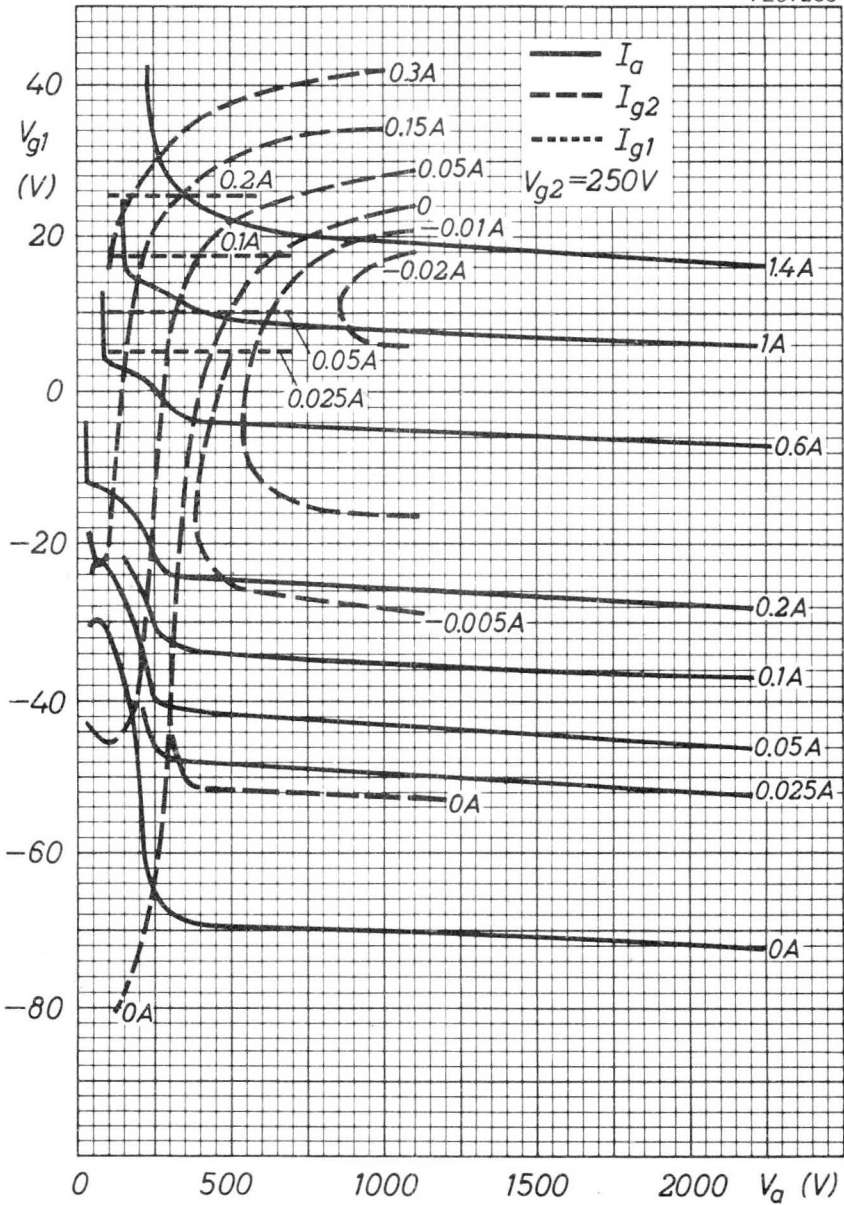
Frequency	f	54 to 216 MHz		
Anode voltage	V_a	max. 1250 V		
Anode current	I_a	max. 250 mA		
Anode dissipation	W_a	max. 250 W		
Grid No.2 voltage	V_{g_2}	max. 250 V		
Grid No.2 dissipation	W_{g_2}	max. 12 W		
Grid No.1 voltage, negative	$-V_{g_1}$	max. 400 V		
Grid No.1 dissipation	W_{g_1}	max. 2 W		
Grid No.1 circuit resistance	R_{g_1}	max. 25 k Ω ¹⁾		
Cathode to heater voltage, peak	V_{kf_p}	max. 150 V		

OPERATING CONDITIONS

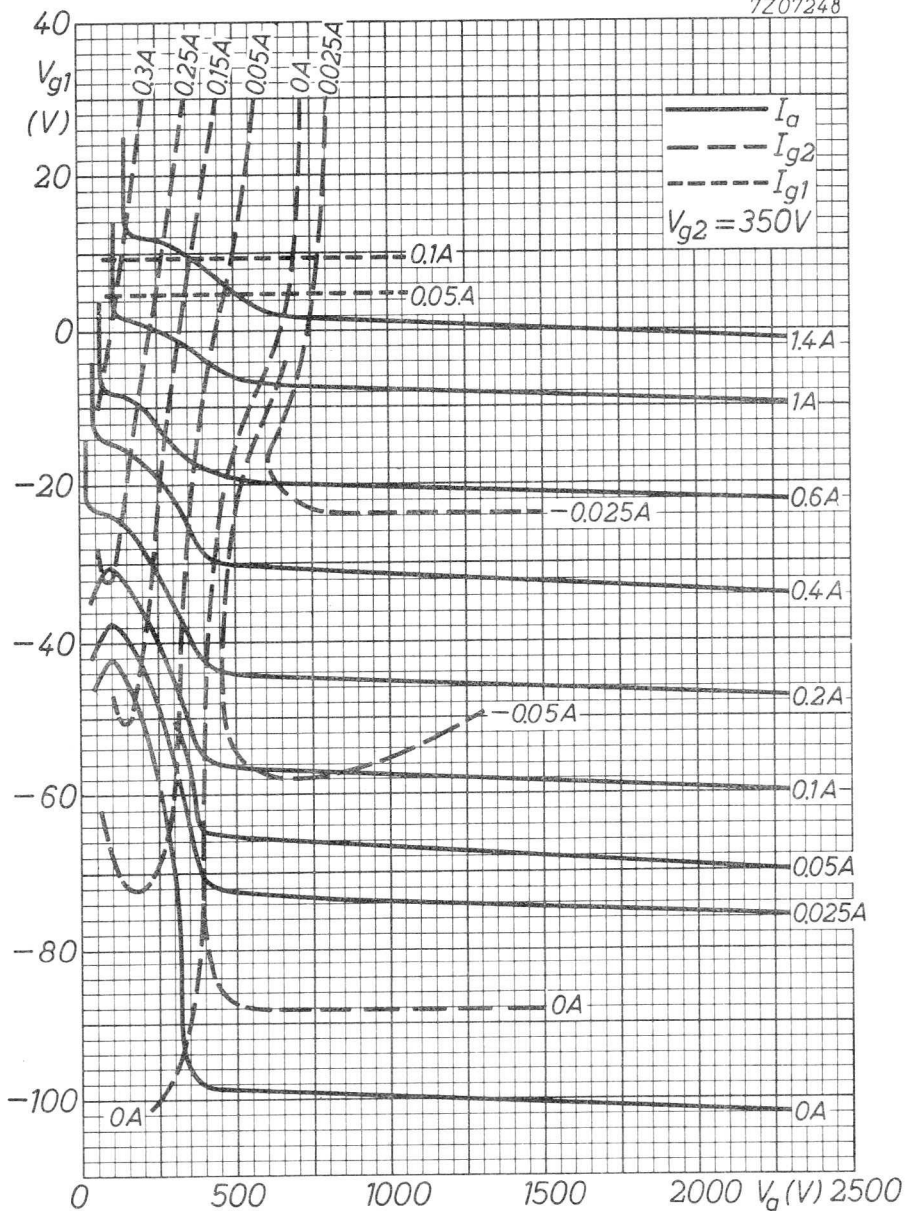
Bandwidth	B (-1.5 dB)	5 5 5 MHz		
Anode voltage	V_a	1250	1000	750 V
Grid No.2 voltage	V_{g_2}	300	300	300 V
Grid No.1 voltage	V_{g_1}	-70	-65	-60 V
Driving voltage, peak to peak	$V_{g_{1pp}}$ sync	100	95	85 V
	black	75	70	65 V
Anode current	I_a sync	305	330	335 mA
	black	230	240	245 mA
Grid No.2 current	I_{g_2} sync	45	45	50 mA
	black	10	15	20 mA
Grid No.1 current	I_{g_1} sync	25	20	15 mA
	black	4	4	4 mA
Driving power	W_{dr} sync	9	8	7 W
	black	5.5	4.7	4.25 W
Output power in load	W_{ℓ} sync	250	200	135 W
	black	140	110	75 W

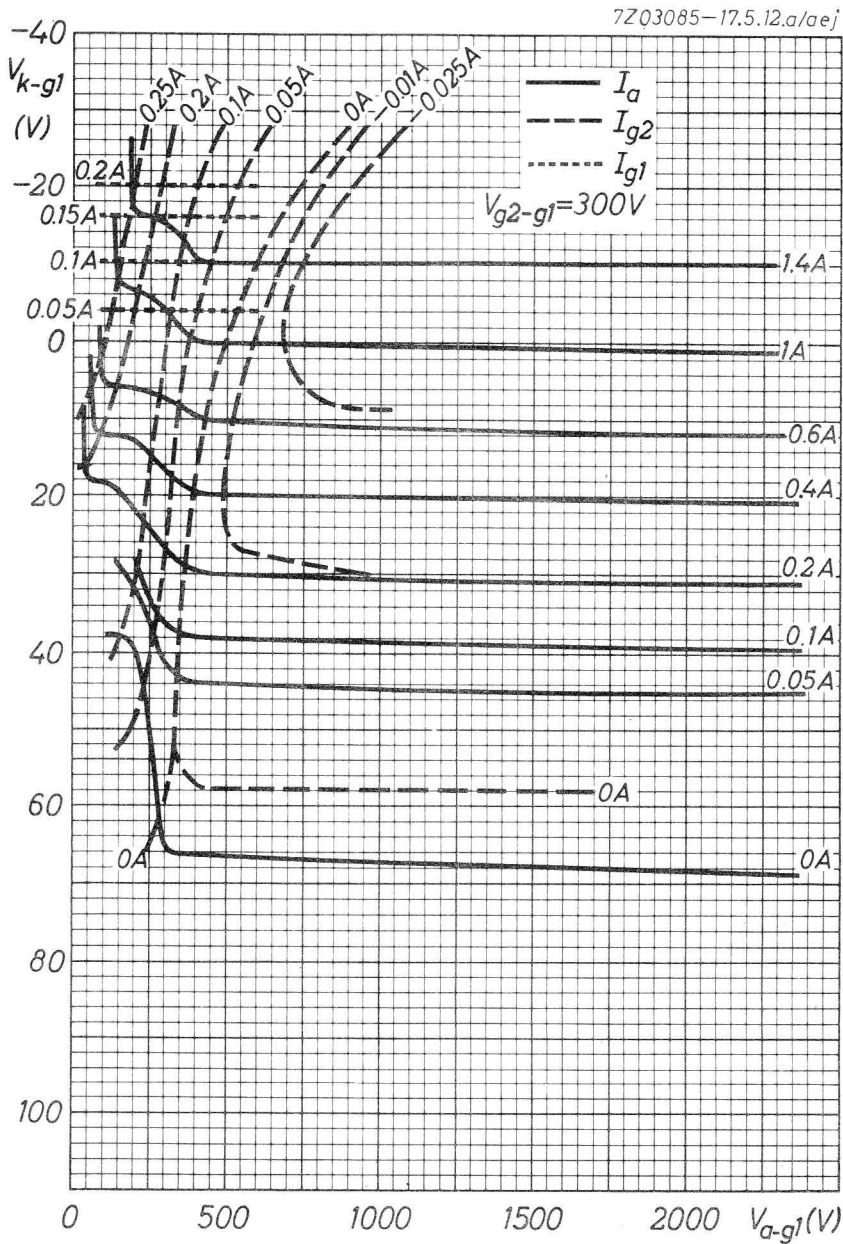
¹⁾ Cathode bias is not recommended.

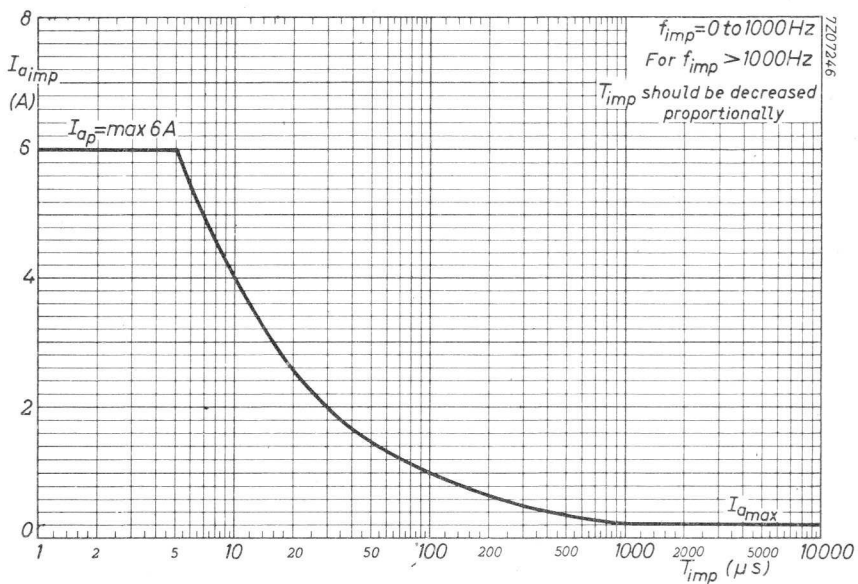
7Z07255



7Z07248







R.F. POWER TETRODE

Forced-air cooled tetrode in ceramic-metal construction intended for use in S.S.B. transmitters.

QUICK REFERENCE DATA			
Freq. (MHz)	S.S.B.		
	V_a (V)	W_f (W) PEP	d_3 (dB)
7	2000	271	-26
7	2000	436	-23

HEATING: indirect; oxide coated cathode

Heater voltage	V_f	25.6 V $\pm 5\%$ ¹⁾
Heater current	I_f	560 mA
Waiting time	T_w	min. 30 s

CAPACITANCES

Grid No. 1 to all except anode	$C_{g_1(a)}$	17.0 pF
Anode to all except grid No. 1	$C_{a(g_1)}$	4.7 pF
Anode to grid No. 1	C_{ag_1}	0.06 pF

TYPICAL CHARACTERISTICS

Anode voltage	V_a	500	V
Grid No. 2 voltage	V_{g_2}	250	300 V
Anode current	I_a	200	mA
Grid No. 2 current	I_{g_2}	-	50 mA
Transconductance	S	12	- mA/V
Amplification factor	$\mu_{g_2g_1}$	5.2	

TEMPERATURE LIMITS (Absolute max. rating system)

Temperature of all seals	t_s	max. 250 °C
Temperature of anode core	t_a	max. 250 °C

¹⁾ Short term variations of $\pm 10\%$ will not damage the tube, but variations in performance must be expected.

COOLING: Forced air

Anode dissipation	Height above sea level	Inlet temperature	Min. required air flow	Pressure drop
W_a	h	t_i	q min	P_i
250 W	0 m	50 °C	0.15 m ³ /min	15 mm H ₂ O
250 W	3000 m	50 °C	0.19 m ³ /min	22 mm H ₂ O

ACCESSORIES

Socket

Johnson 124-110-1

Chimney

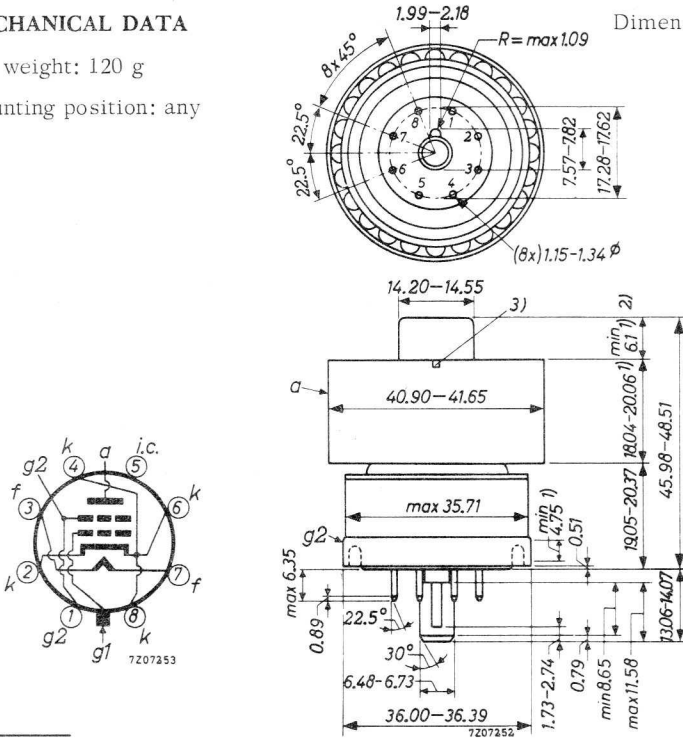
Johnson 124-111-1 or equivalent

MECHANICAL DATA

Net weight: 120 g

Mounting position: any

Dimensions in mm



1) Contact surface

2) Use this contact surface for frequencies up to 30 MHz only

3) Index aligned with grid No. 1 guide lug

R.F. SINGLE SIDE BAND AMPLIFIER

LIMITING VALUES (Absolute max. rating system)

Frequency	f	up to	500	MHz
Anode voltage	V_a	max.	2000	V
Anode current	I_a	max.	250	mA
Anode dissipation	W_a	max.	250	W
Grid No.2 voltage	V_{g_2}	max.	400	V
Grid No.2 dissipation	W_{g_2}	max.	12	W
Grid No.1 voltage, negative	$-V_{g_1}$	max.	150	V
Cathode to heater voltage, peak	V_{kf_p}	max.	150	V

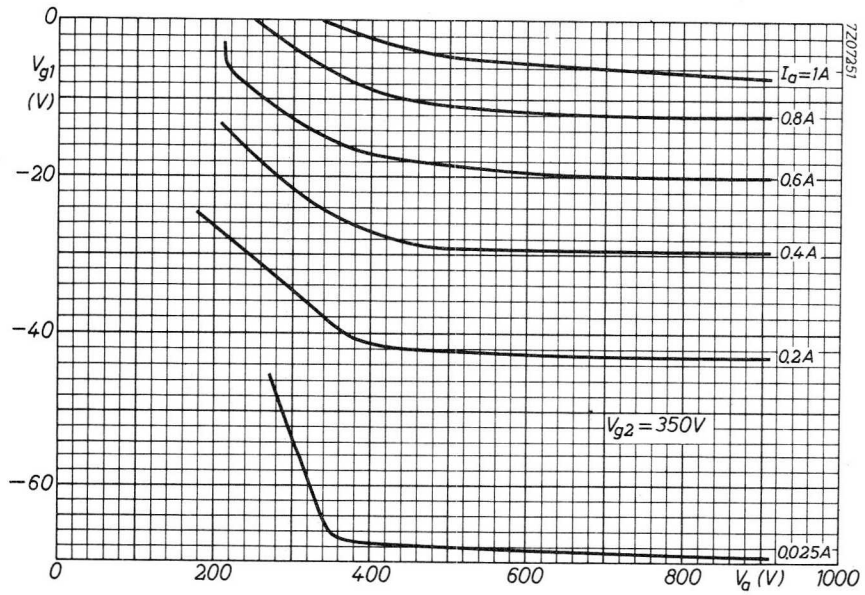
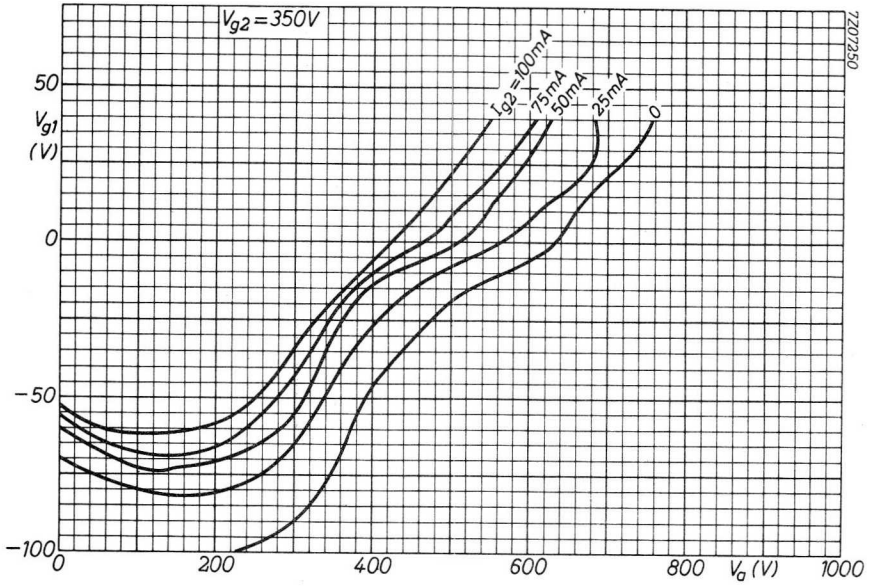
OPERATING CONDITIONS

Frequency	f	7	MHz	
Anode voltage	V_a	2000	V	
Grid No.2 voltage	V_{g_2}	350	V	
Grid No.1 voltage	V_{g_1}	-57.5	V	
Load resistance	$R_{a\sim}$	4000	Ω	
		zero signal	single tone	double tone
Driving voltage, peak	$V_{g_{1p}}$	0	45.3	45.3 V
Anode current	I_a	100	250	174 mA
Grid No.2 current	I_{g_2}	-1.22	-4.1	-31.5 mA
Anode input power	W_{i_a}	200	500	348 W
Output power in the load	W_l (PEP)	-	271	271 W
Third order intermodulation distortion	d_3	-	-	-26 dB
Fifth order intermodulation distortion	d_5	-	-	-54 dB

OPERATING CONDITIONS (continued)

Frequency	f	7		MHz
Anode voltage	V_a	2000		V
Grid No. 2 voltage	V_{g2}	350		V
Grid No. 1 voltage	V_{g1}	-72		V
Load resistance	$R_{a\sim}$	3570		Ω
		zero signal	single tone ¹⁾	double tone
Driving voltage, peak	V_{g1p}	0	62	62 V
Anode current	I_a	75	310	204 mA
Grid No. 2 current	I_{g2}	-0.85	14	2.4 mA
Anode input power	W_{i_a}	150	620	407 W
Output power in the load	W_l (PEP)	-	436	436 W
Third order intermodulation distortion	d_3	-	-	-23 dB
Fifth order intermodulation distortion	d_5	-	-	-37 dB

¹⁾ Conditions in this column are permissible only for a signal having a peak to average power ratio which equals or exceeds 2 to 1 (e.g. two tone conditions) and for tune up during maximum 2 min.



Amplifier circuit assemblies



BAND III AMPLIFIER CIRCUIT ASSEMBLY FOR YL1440 VISION AND COMBINED SOUND AND VISION

Continuously tunable cavity-type circuit assembly to be used with YL1440 to form a broad-band grounded-grid linear amplifier for television signals in Band III. The unit thus obtained can be put to good use in any of the principal monochrome and colour television systems.

QUICK REFERENCE DATA

Class AB linear amplifier (vision)

Frequency	170	to	260	MHz
Anode voltage			3	kV
Output power in load, sync			1,55	kW
Power gain			26	

Frequency	170	to	260	MHz
Anode voltage			2,5	kV
Output power in load, sync			0,7	kW
Power gain			23	

Class AB amplifier for television transposer service

Frequency	175	to	225	MHz
Anode voltage			2,5	kV
Output power in load, sync			0,55	kW
Power gain			30	

FREQUENCY RANGE

170 to 247 MHz continuously tunable. Up to 260 MHz with minor, channel dependent, modifications.

OPERATING CONDITIONS (For YL1440)

For detailed operating conditions reference is made to the data sheets for tube type YL14 YL1440.

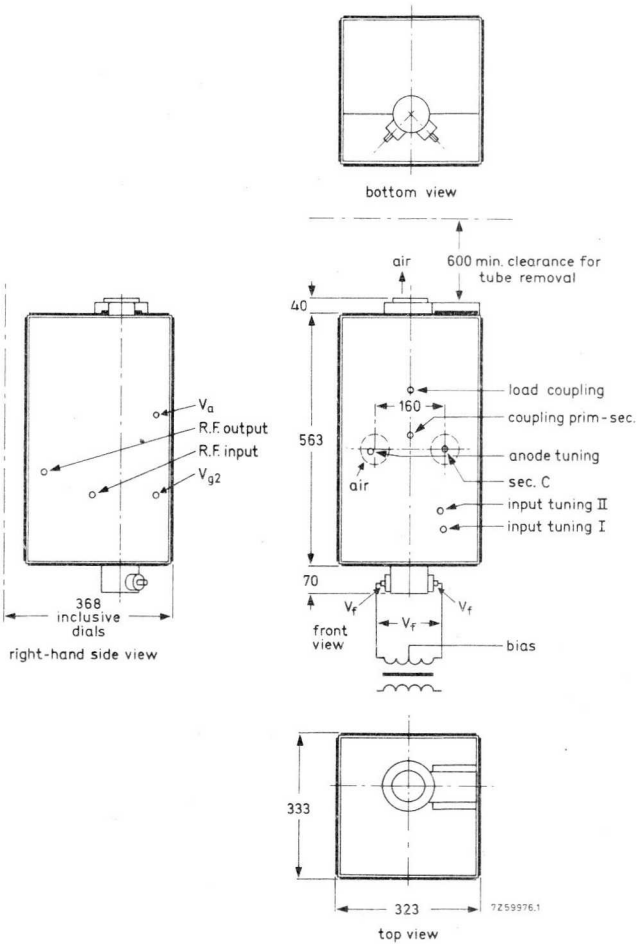
40743

MECHANICAL DATA

Dimensions in mm

Dimensions : approx. 673 x 333 x 323 mm³

Net weight : approx. 38 kg



COOLING

See cooling curves.

Direction of airflow: see drawing page 6.

Either sucking and blowing is possible via connections on the top panel and the rear panel.

IMPEDANCES

Input : 50 Ω (coaxial female connector type N)

Output : 50 Ω (coaxial female connector type HN)

ENVIRONMENTAL DATA

Ambient temperature : 0 $^{\circ}\text{C}$ to +55 $^{\circ}\text{C}$

Altitude : max. 3000 m

Relative humidity : up to 90 %

VOLTAGE STANDING-WAVE RATIO

Input : max. permissible 1.3 for acceptable performance

Output : max. permissible 1.3 for acceptable performance

ADDITIONAL COMPONENTSa) Delivered with the assembly

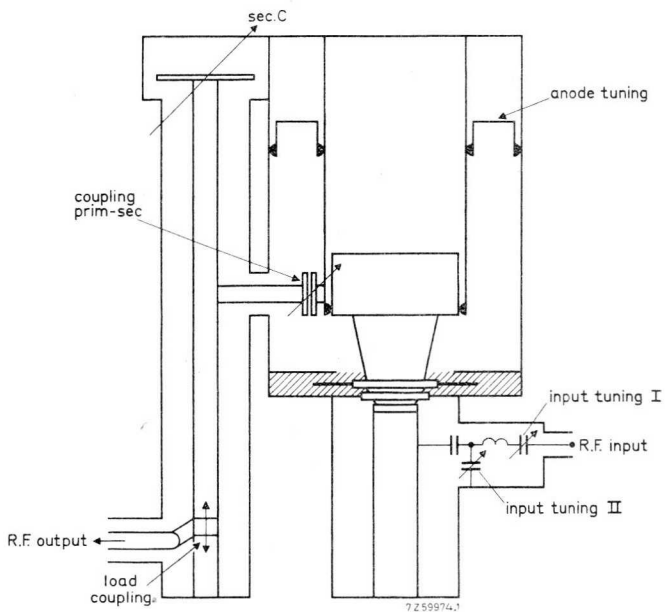
Tube extractor	7322 120 02140
Mating male input connector	Radiall type N
Mating male output connector	Radiall type R7050
Mating connector for anode voltage	Radiall type R13060
Mating connector for screen grid voltage	Radiall type R9510

b) Recommended

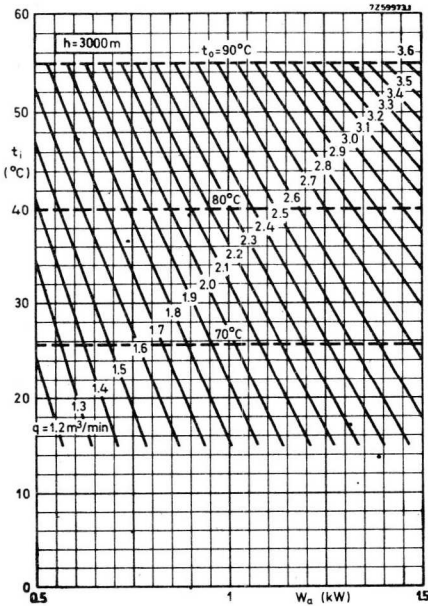
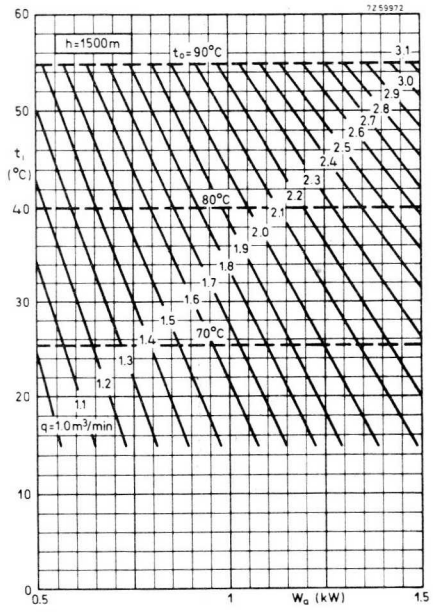
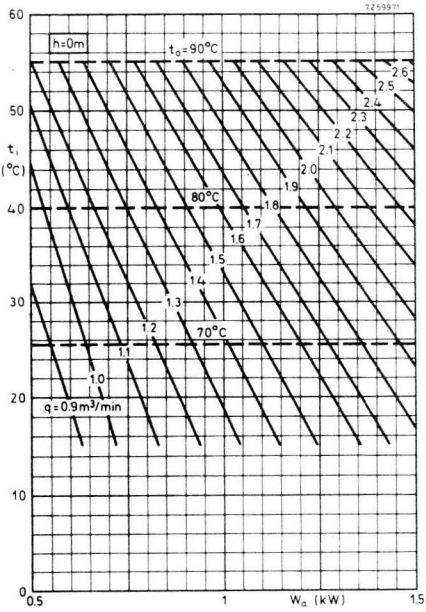
The use of circulator 2722 162 01191 (170 to 200 MHz) or 2722 162 1201 (200 to 230 MHz) is recommended.

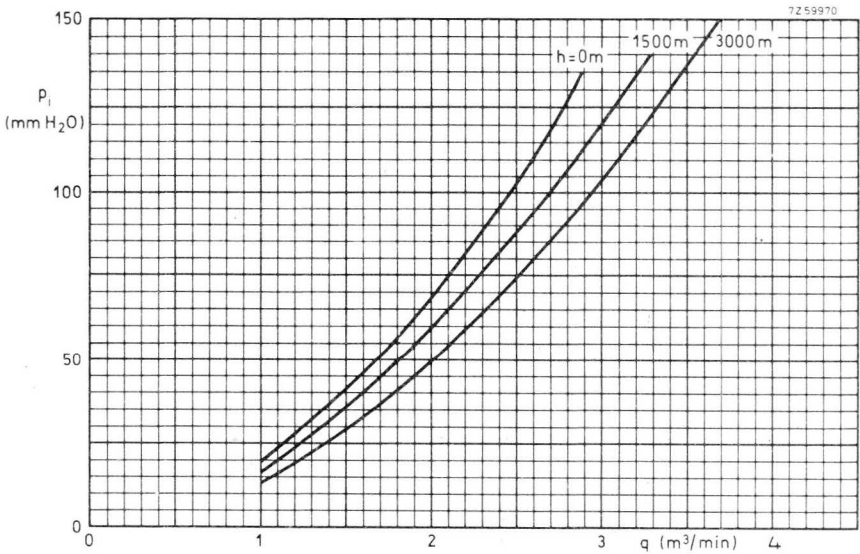
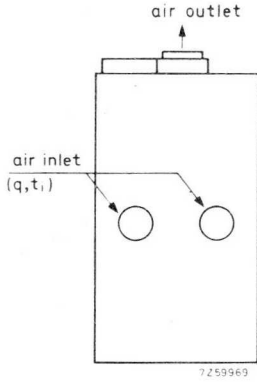


CIRCUIT DIAGRAM



Cooling curves





BAND III AMPLIFIER CIRCUIT ASSEMBLY FOR YL1440 SOUND

Continuously tunable cavity-type circuit assembly to be used with YL1440 to form a grounded-grid amplifier of frequency-modulated signals in Band III.

QUICK REFERENCE DATA			
Frequency (MHz)	Class B amplifier (sound)		
	V_a (kV)	W_l (kW) CCIR system	Power gain
70 to 260	3.5	2.4	26

FREQUENCY RANGE

170 to 260 MHz, continuously tunable.

OPERATING CONDITIONS (For tube YL1440)

For detailed operating conditions reference is made to the data sheets for tube type YL1440.

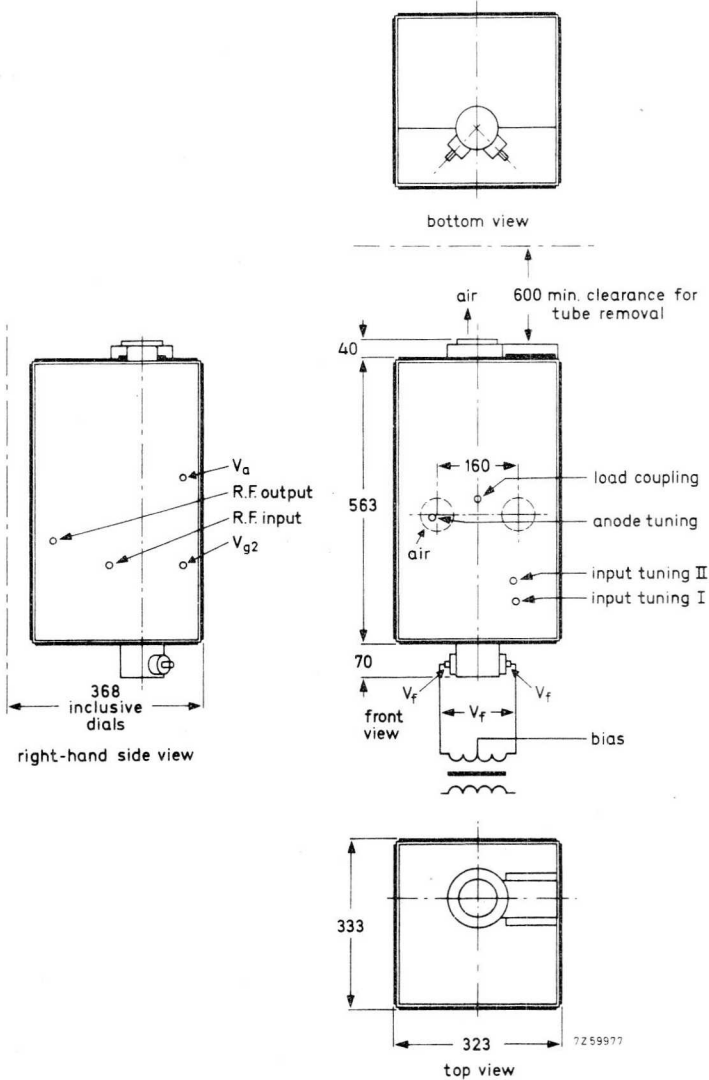


MECHANICAL DATA

Dimensions in mm

Dimensions : approx. 673 x 333 x 323 mm³

Net weight : approx. 33 kg



COOLING

See cooling curves.

Direction of airflow: see drawing page 6.

Either sucking and blowing is possible via connections on the top panel and the rear panel.

IMPEDANCES

Input : 50 Ω (coaxial female connector type N)

Output : 50 Ω (coaxial female connector type HN)

ENVIRONMENTAL DATA

Ambient temperature : 0 °C to +55 °C

Altitude : max. 3000 m

Relative humidity : up to 90 %

VOLTAGE STANDING-WAVE RATIO

Input : max. permissible 1.3 for acceptable performance

Output : max. permissible 1.3 for acceptable performance

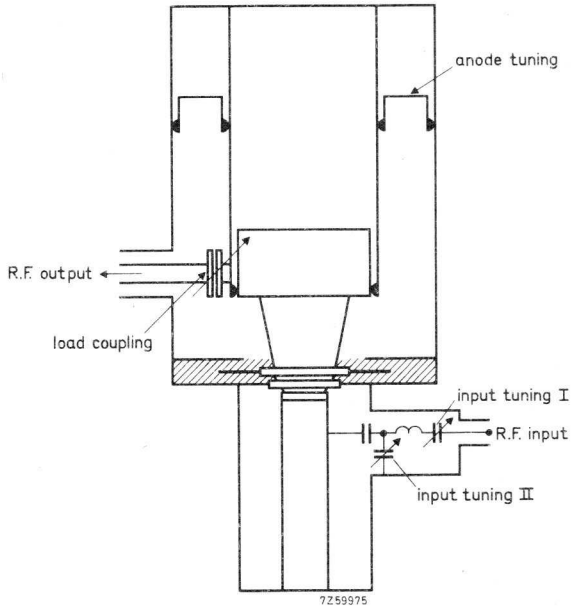
ADDITIONAL COMPONENTSa) Delivered with the assembly

Tube extractor	7322 120 02140
Mating male input connector	Radiall type N
Mating male output connector	Radiall type R7050
Mating connector for anode voltage	Radiall type R13060
Mating connector for screen grid voltage	Radiall type R9510

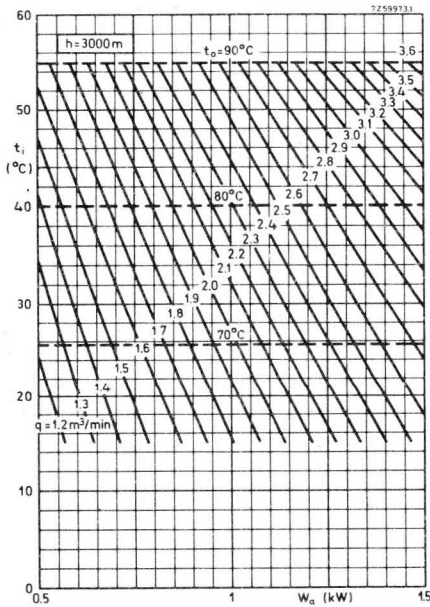
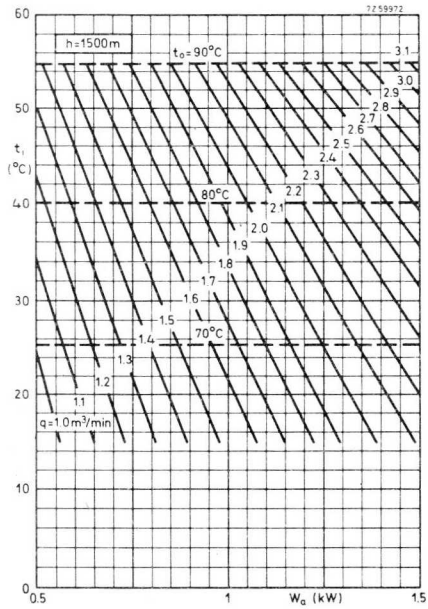
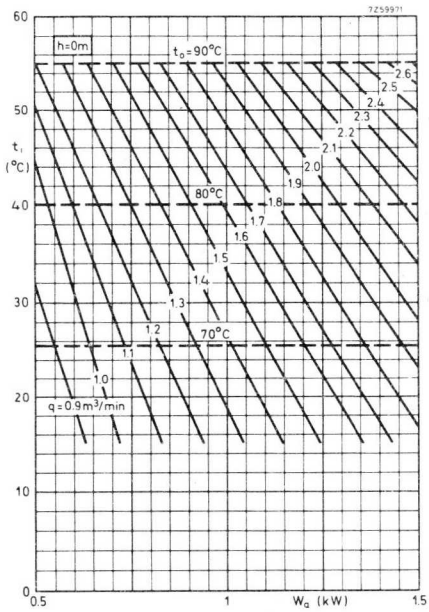
b) Recommended

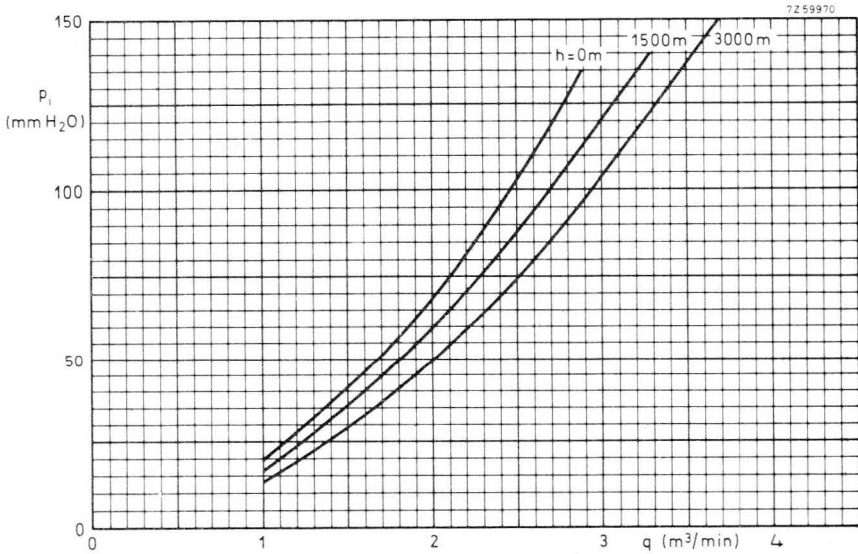
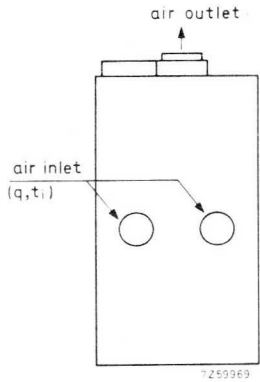
The use of circulator 2722 162 01191 (170 to 200 MHz) or 2722 162 01201 (200 to 230 MHz) is recommended.

CIRCUIT DIAGRAM



Cooling curves





BAND III AMPLIFIER CIRCUIT ASSEMBLY FOR YL1420 VISION AND COMBINED SOUND AND VISION

Continuously tunable cavity-type circuit assembly to be used with YL1420 to form a broad-band grounded-grid linear amplifier for television signals in Band III.

The unit thus obtained can be put to good use in any of the principal monochrome and colour television systems.

QUICK REFERENCE DATA

Class AB linear amplifier (vision)

Frequency	170	to	230	MHz
Anode voltage			5	kV
Output power in load, sync			8,6	kW
Power gain			24	

Frequency	170	to	230	MHz
Anode voltage			4	kV
Output power in load, sync			6,25	kW
Power gain			24	

Class AB amplifier for television transposer service

Frequency	175	to	225	MHz
Anode voltage			4	kV
Output power in load, sync			2,5	kW
Power gain			30	

FREQUENCY RANGE

170 to 230 MHz continuously tunable.

OPERATING CONDITIONS (For YL1420)

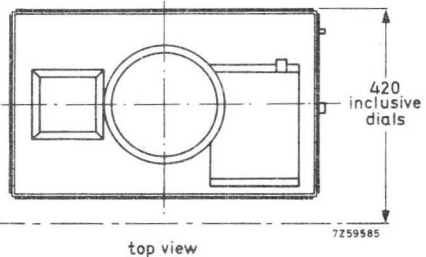
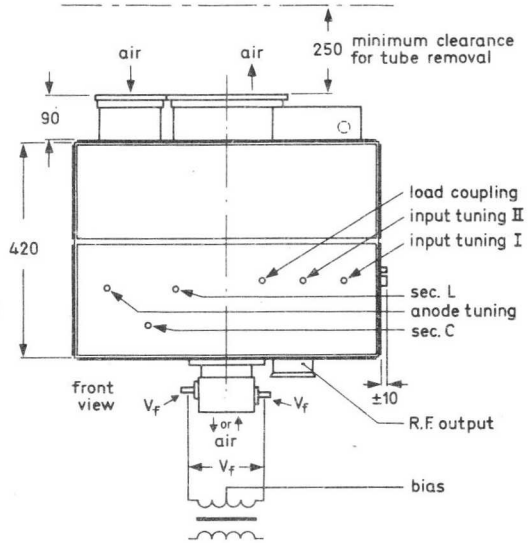
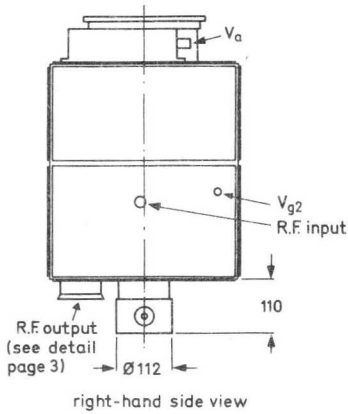
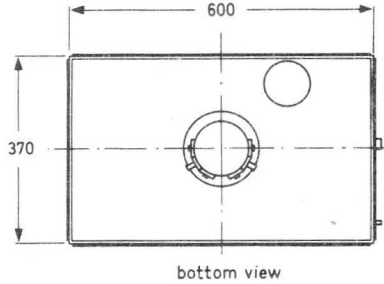
For detailed operating conditions reference is made to the data sheets for tube type YL1420.

MECHANICAL DATA

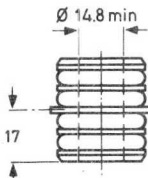
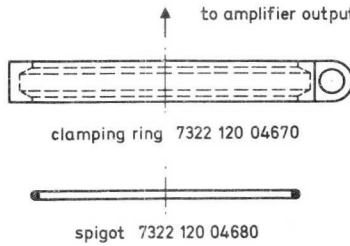
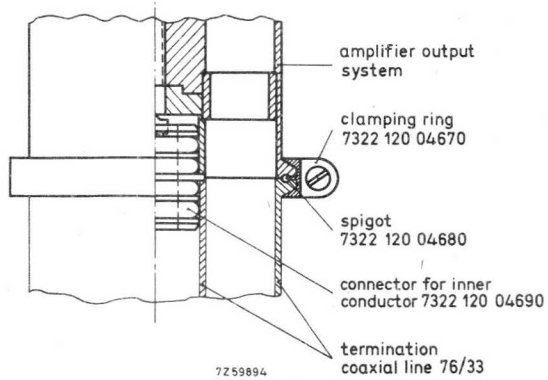
Dimensions in mm

Dimensions : approx. 600 x 620 x 370 mm³

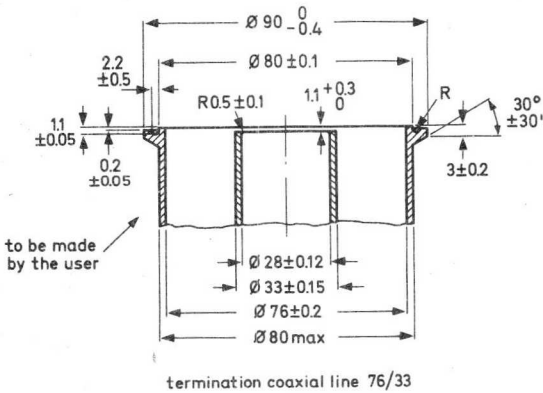
Net weight : approx. 67 kg



R. F. output connector



connector for inner conductor 7322 120 04690



COOLING

See cooling curves.

Direction of airflow: see drawing page 7.

Either sucking and blowing is possible via connections on the top panel.

IMPEDANCES

Input : 50 Ω (coaxial female connector, type N)

Output : 50 Ω (coaxial connector: see drawing page 3)

ENVIRONMENTAL DATA

Ambient temperature : 0 $^{\circ}\text{C}$ to +55 $^{\circ}\text{C}$

Altitude : max. 3000 m

Relative humidity : up to 90 %

VOLTAGE STANDING-WAVE RATIO

Input : max. permissible 1.3 for acceptable performance

Output : max. permissible 1.3 for acceptable performance

ADDITIONAL COMPONENTSa) Delivered with the assembly

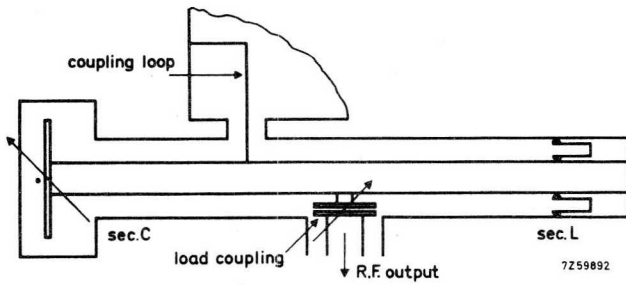
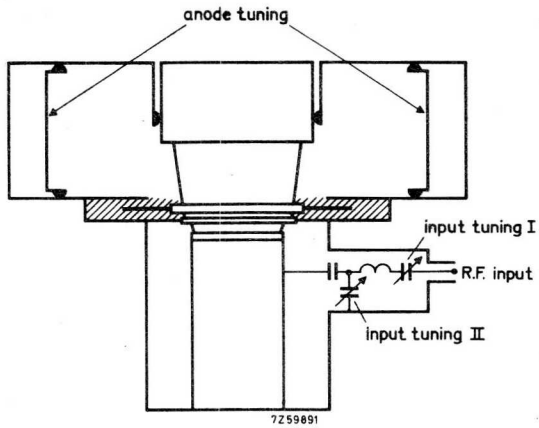
Tube extractor	7322 120 07850
Mating male input connector	Radial type N
Output connector	
connector for inner conductor	7322 120 04690
spigot for outer conductor	7322 120 04680
clamping ring for outer conductor	7322 120 04670
Mating connector for anode voltage	Radial type R13060
Mating connector for screen grid voltage	Radial type R9510
Coupling loop for 175.25 MHz	7322 120 04730
Coupling loop for remaining frequencies except 223.25 MHz ¹⁾	7322 120 04760
Insulating protection cap	7322 120 04750
Spanner for fitting	

b) Recommended

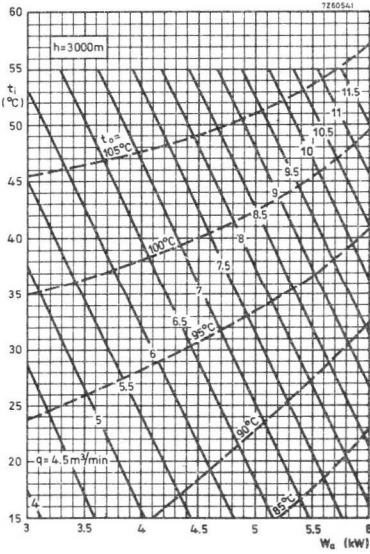
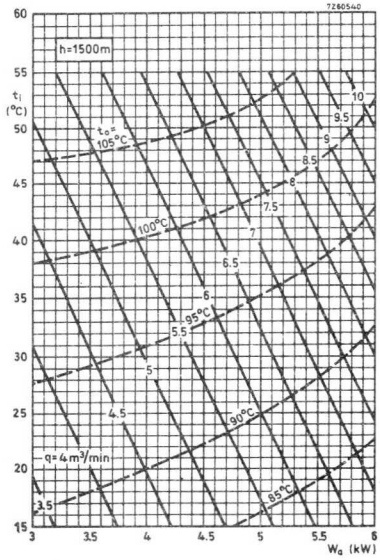
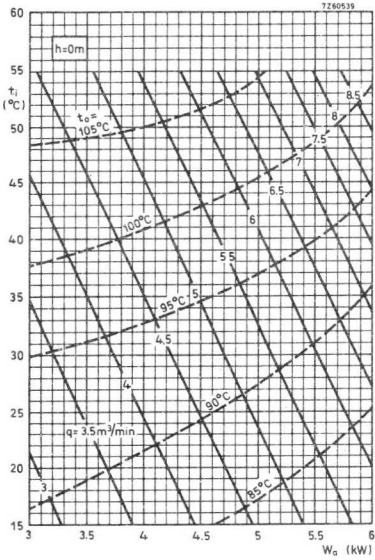
The use of circulator 2722 162 01191 (170 to 200 MHz) or 2722 162 01201 (200 to 230 MHz) is recommended.

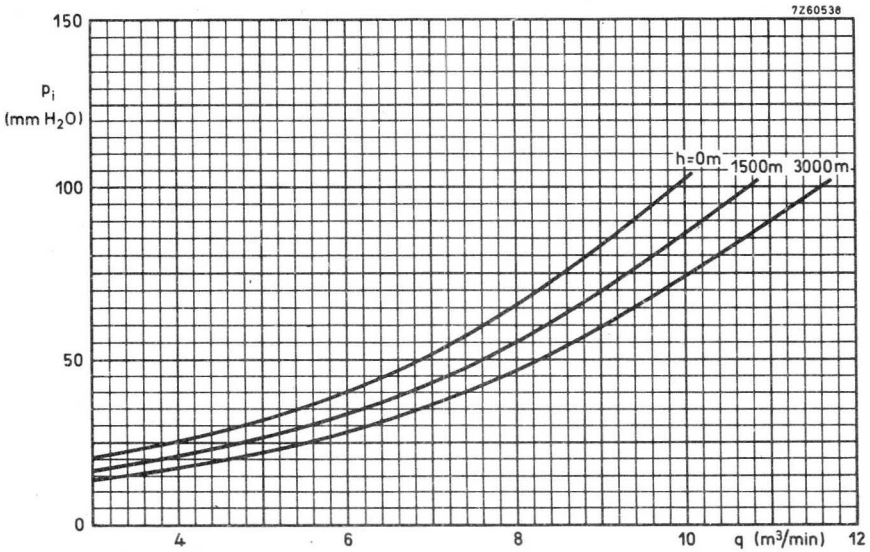
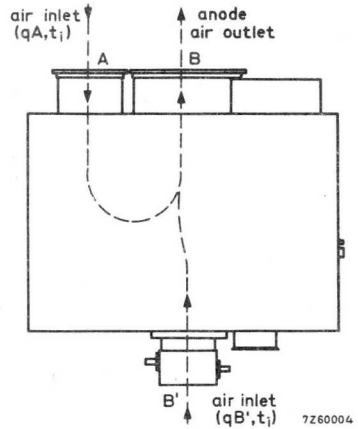
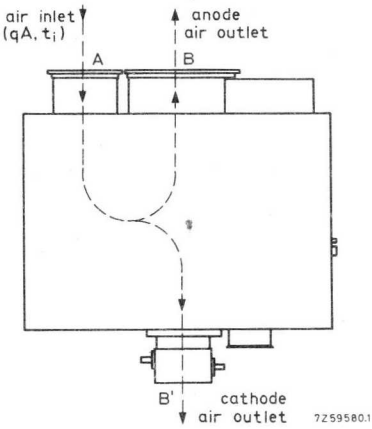
¹⁾ For 223.25 MHz a different coupling loop is needed, which can be delivered on request.

CIRCUIT DIAGRAM



Cooling curves





Pressure drop p_i across cavity with YL1420 as a function of airflow q .

p_i = pressure drop from plane A to plane B or B'

For blowing $q = q_A$

For sucking $q = q_A + q_{B'}$

BAND III AMPLIFIER CIRCUIT ASSEMBLY FOR YL1420 SOUND

Continuously tunable cavity-type circuit assembly to be used with YL1420 to form a grounded-grid amplifier of frequency-modulated signal in Band III.

QUICK REFERENCE DATA			
Frequency (MHz)	Class B amplifier (sound)		
	V_a (kV)	W_p (kW) CCIR system	Power gain
170 to 230	7	10.5	32

FREQUENCY RANGE

170 to 230 MHz, continuously tunable.

OPERATING CONDITIONS (For YL1420)

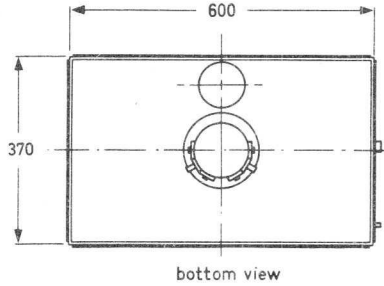
For detailed operating conditions reference is made to the data sheets for tube type YL1420.

MECHANICAL DATA

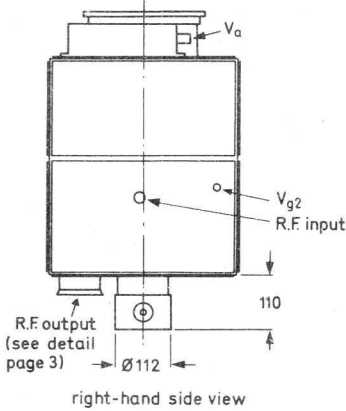
Dimensions in mm

Dimensions : approx. 600 x 620 x 370 mm³

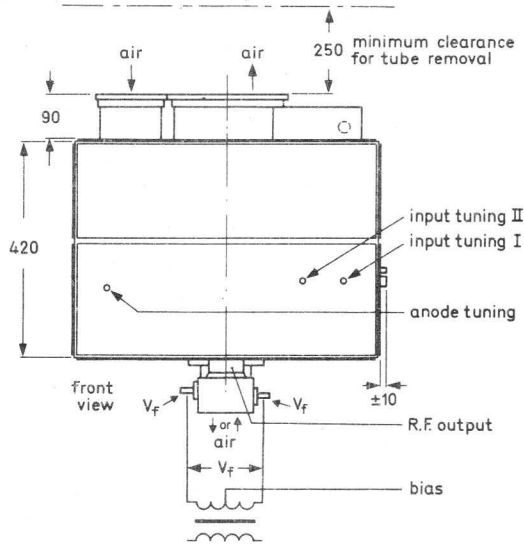
Net weight : approx. 54 kg



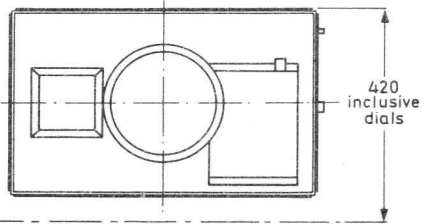
bottom view



right-hand side view



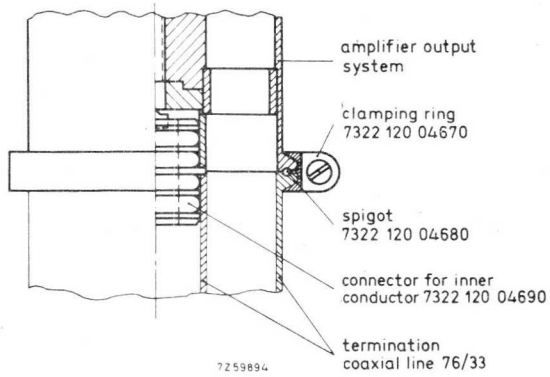
front view



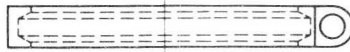
top view

7259599

R. F. output connector



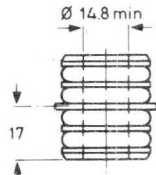
↑ to amplifier output system



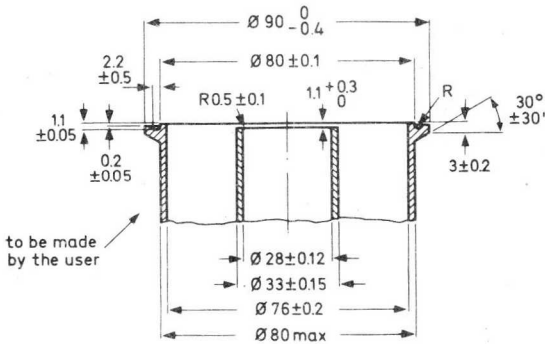
clamping ring 7322 120 04670



spigot 7322 120 04680



connector for inner conductor 7322 120 04690



termination coaxial line 76/33

COOLING

See cooling curves.

Direction of airflow: see drawing page 7.

Both sucking and blowing is possible via connection on the top panel.

IMPEDANCES

Input : 50 Ω (coaxial female connector, type N)

Output : 50 Ω (coaxial connector: see drawing page 3)

ENVIRONMENTAL DATA

Ambient temperature : 0 $^{\circ}\text{C}$ to +55 $^{\circ}\text{C}$

Altitude : max. 3000 m

Relative humidity : up to 90 %

VOLTAGE STANDING-WAVE RATIO

Input : max. permissible 1.3 for acceptable performance

Output : max. permissible 1.3 for acceptable performance

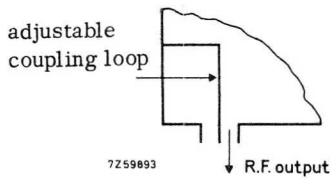
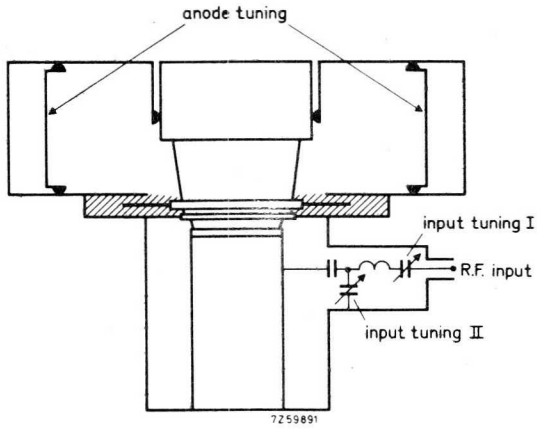
ADDITIONAL COMPONENTSa) Delivered with the assembly

Tube extractor input connector	7322 120 07850
Mating male input connector	Radial type N
Output connector	
connector for inner conductor	7322 120 04690
spigot for outer conductor	7322 120 04680
clamping ring for outer conductor	7322 120 04670
Mating connector for anode voltage	Radial type R13060
Mating connector for screen grid voltage	Radial type R9510

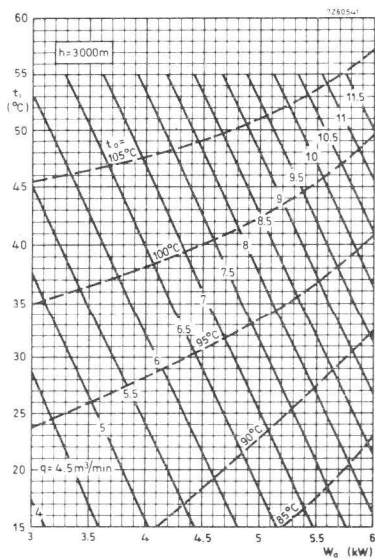
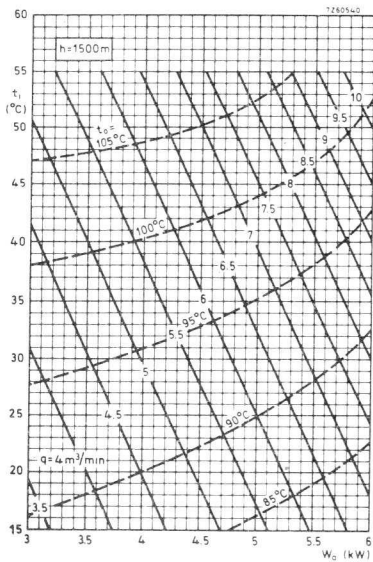
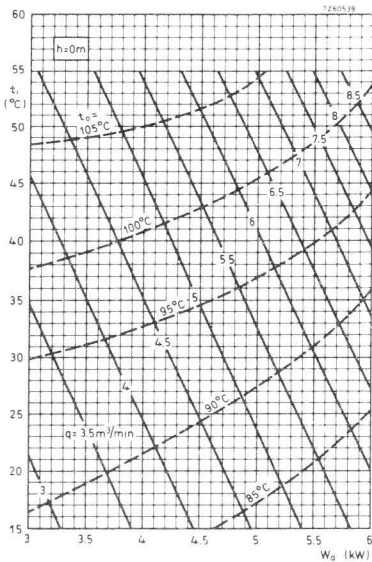
Recommended

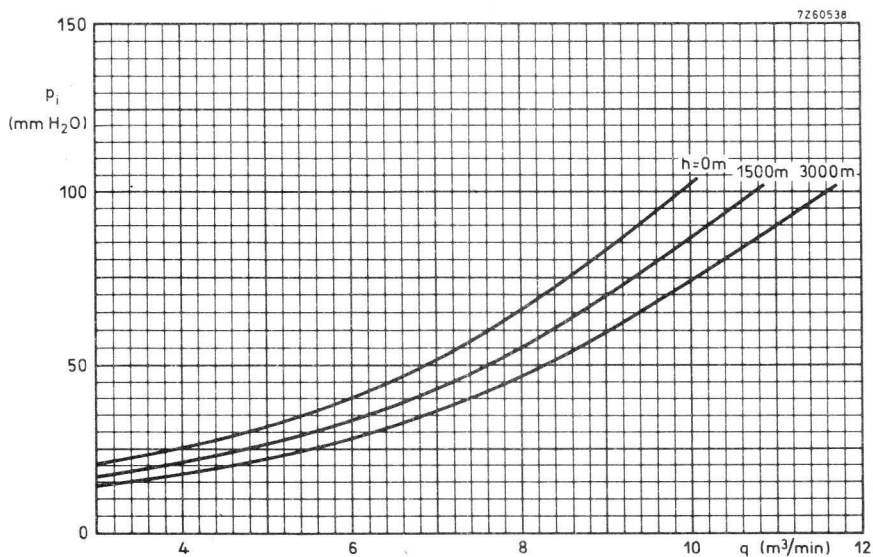
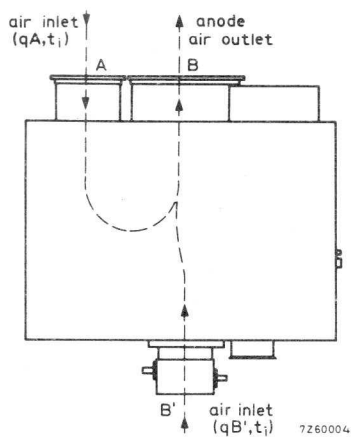
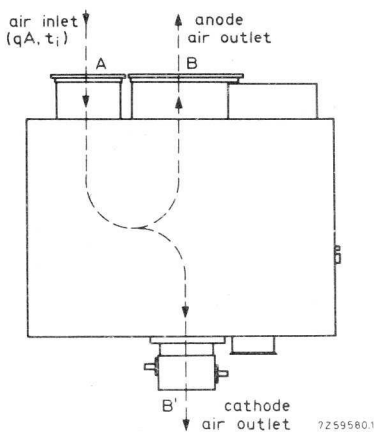
The use of circulator 2722 162 01191 (170 to 200 MHz) or 2722 162 01201 (200 to 230 MHz) is recommended.

CIRCUIT DIAGRAM



Cooling curves





Pressure drop p_i across cavity with YL1420 as a function of airflow q .

p_i = pressure from plane A to plane B or B'

For blowing $q = q_A$

For sucking $q = q_A + q_{B'}$

BAND III AMPLIFIER CIRCUIT ASSEMBLY FOR YL1430 VISION AND COMBINED SOUND AND VISION

Continuously tunable cavity-type circuit assembly to be used with YL1430 to form a broad-band grounded-grid linear amplifier for television signals in Band III. The unit thus obtained can be put to good use in any of the principal monochrome and colour television systems.

QUICK REFERENCE DATA

QUICK REFERENCE DATA			
Class AB linear amplifier (vision)			
Frequency	170	to	230 MHz
Anode voltage		7	kV
Output power in load, sync		18.4	kW
Power gain		25	
Frequency	170	to	230 MHz
Anode voltage		6	kV
Output power in load, sync		12.5	kW
Power gain		30	
Class AB amplifier for television transposer service			
Frequency	175	to	225 MHz
Anode voltage		6	kV
Output power in load, sync		7	kW
Power gain		32	

FREQUENCY RANGE

170 to 230 MHz continuously tunable.

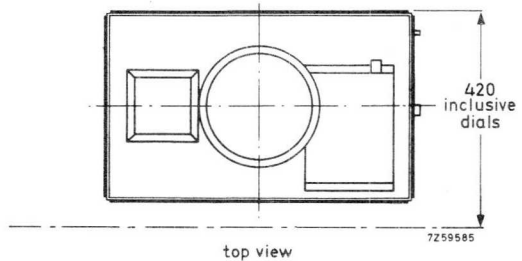
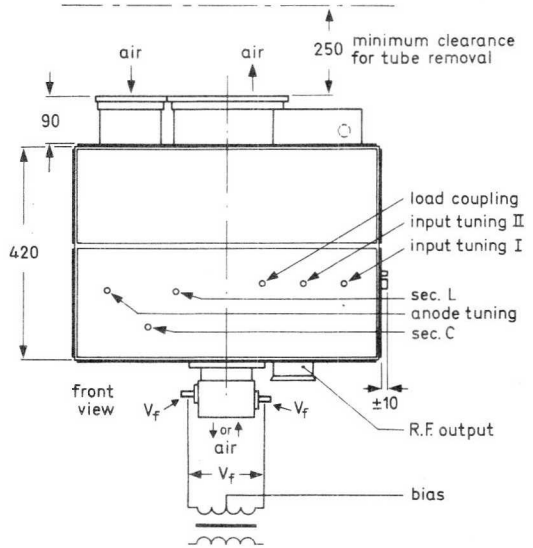
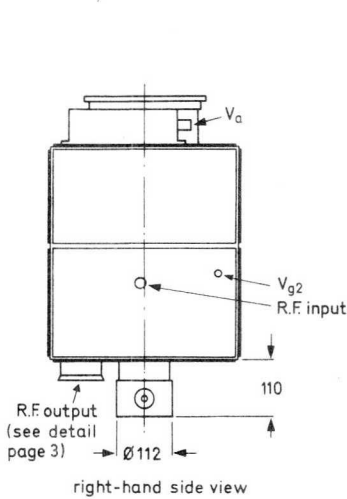
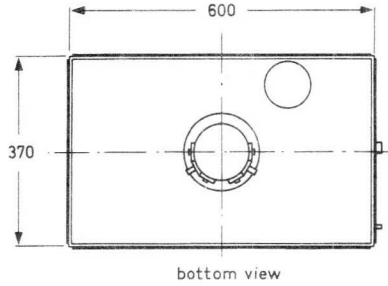
OPERATING CONDITIONS (For YL1430)

For detailed operating conditions reference is made to the data sheets for tube type YL1430.

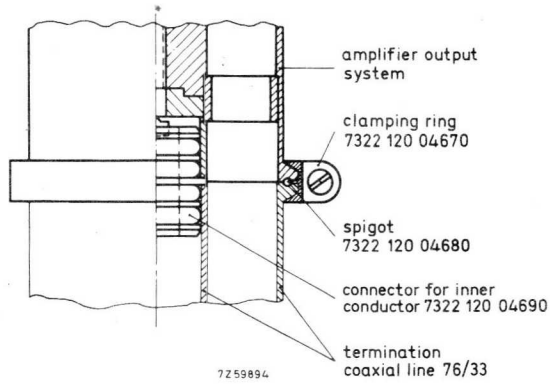
MECHANICAL DATA

Dimensions in mm

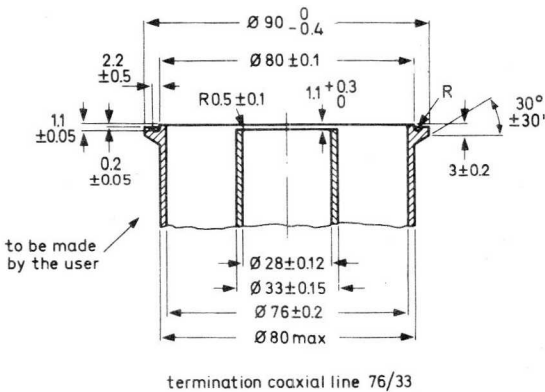
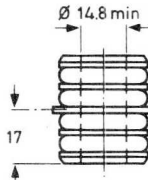
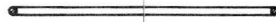
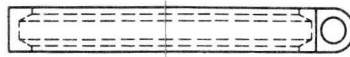
Dimensions : approx. 600 x 620 x 370 mm³
 Net weight : approx. 67 kg



Output connector



↑ to amplifier output system



COOLING

See cooling curves.

Direction of airflow: see drawing page 7.

Either sucking and blowing is possible via connections on the top panel.

IMPEDANCES

Input : 50 Ω (coaxial female connector, type N)

Output : 50 Ω (coaxial female connector: see drawing page 3)

ENVIRONMENTAL DATA

Ambient temperature : 0 $^{\circ}\text{C}$ to +55 $^{\circ}\text{C}$

Altitude : max. 3000 m

Relative humidity : up to 90 %

VOLTAGE STANDING-WAVE RATIO

Input : max. permissible 1.3 for acceptable performance

Output : max. permissible 1.3 for acceptable performance

ADDITIONAL COMPONENTSa) Delivered with the assembly

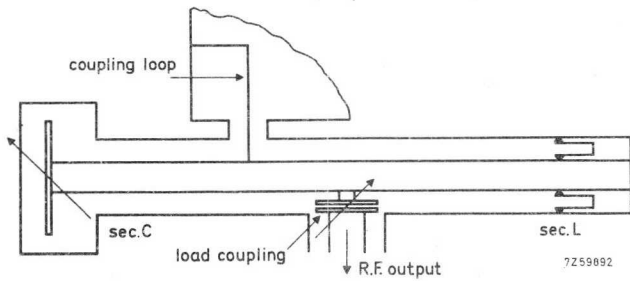
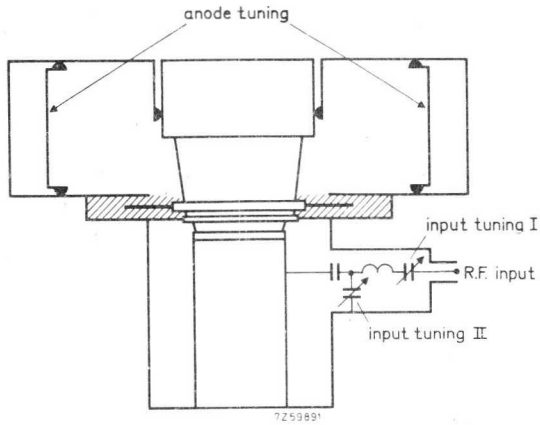
Tube extractor	7322 120 07850
Mating male input connector	Radiall type N
Output connector	
connector for inner conductor	7322 120 04690
spigot for outer conductor	7322 120 04680
clamping ring for outer conductor	7322 120 04670
Mating connector for anode voltage	Radiall type R13060
Mating connector for screen grid voltage	Radiall type R9510
Coupling loop for 175.25 MHz	7322 120 04730
Coupling loop for remaining frequencies except 224.25 MHz	7322 120 04769 ¹⁾
Insulating protection cap	7322 120 04750
Spanner for fitting the coupling loops	

b) Recommended

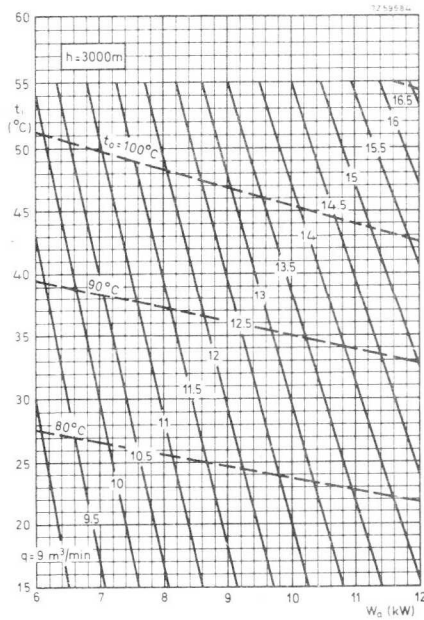
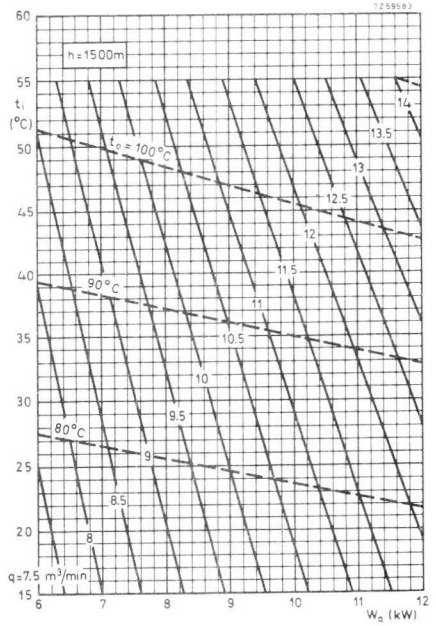
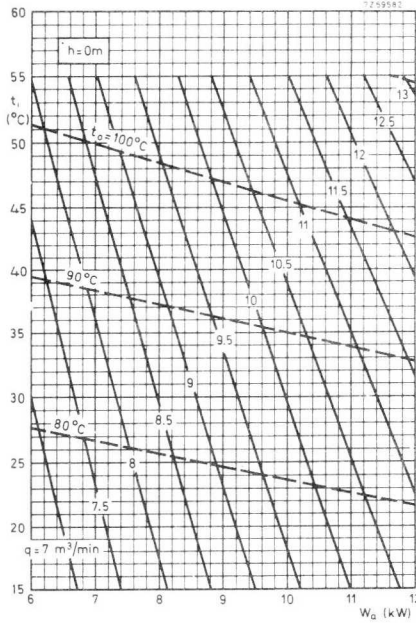
The use of circulator 2722 162 01191 (170 to 200 MHz) or 2722 162 01201 (200 to 230 MHz) is recommended.

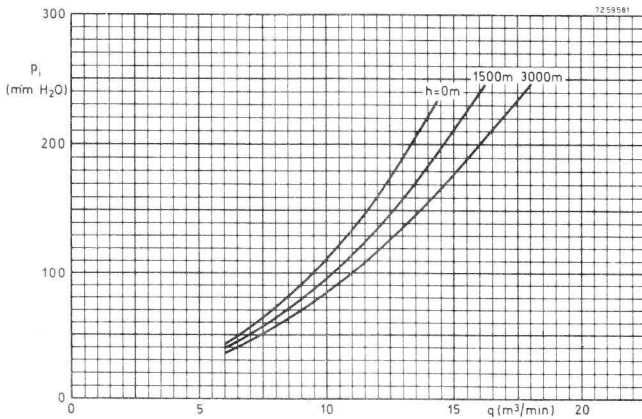
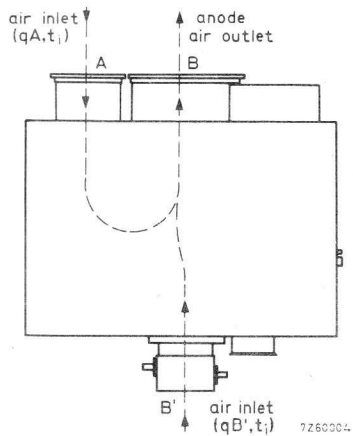
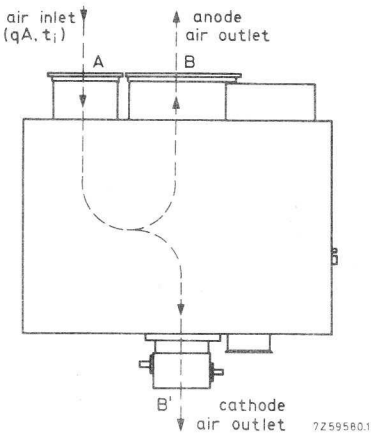
¹⁾ For 224.25 MHz a different coupling loop is needed, which can be delivered on request.

CIRCUIT DIAGRAM



Cooling curves





Pressure drop q_i across cavity with YL1430 as a function of airflow q .

p_i = pressure drop from plane A to plane B or B'

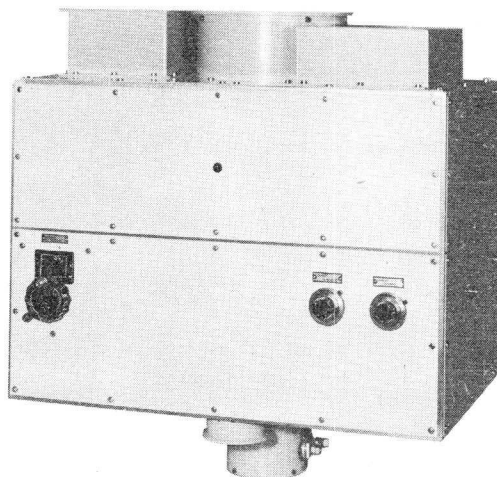
For blowing $q = q_A$

For sucking $q = q_A + q_{B'}$

BAND III AMPLIFIER CIRCUIT ASSEMBLY FOR YL1430 SOUND

Continuously tunable cavity-type circuit assembly to be used with YL1430 to form a grounded-grid amplifier of frequency modulated signals in band III.

RZ 29115-9



QUICK REFERENCE DATA

Frequency (MHz)	Class B amplifier (sound)		
	V_a (kV)	W_l (kW) CCIR system	Power gain
170 to 230	7.5	13	33

FREQUENCY RANGE

170 to 230 MHz, continuously tunable.

OPERATING CONDITIONS (For YL1430)

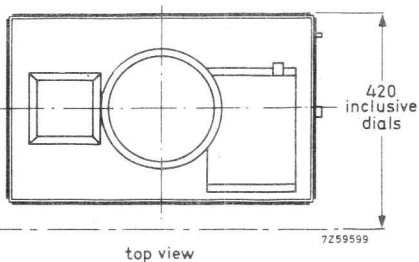
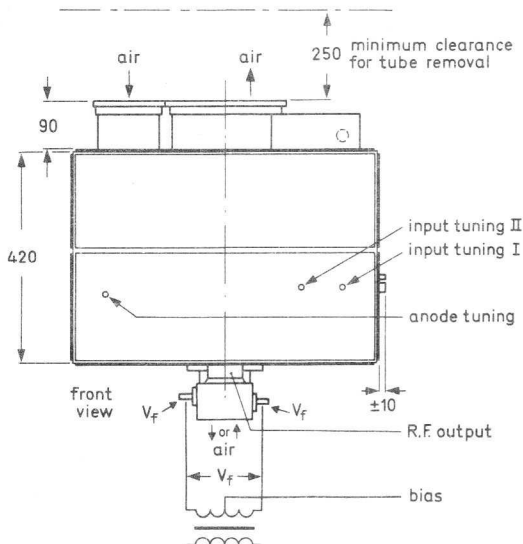
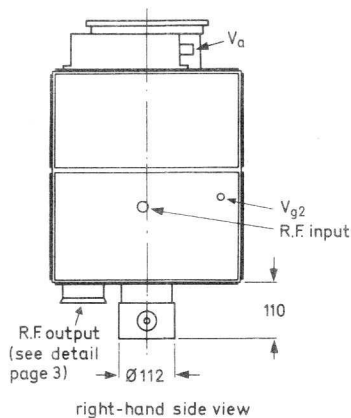
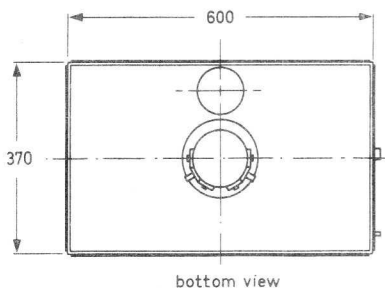
For detailed operating conditions reference is made to the data sheets for tube type YL1430.

MECHANICAL DATA

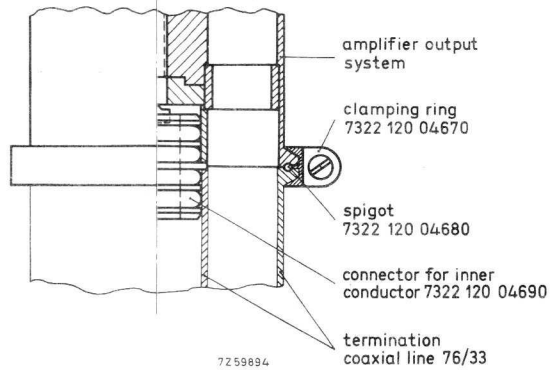
Dimensions in mm

Dimensions : approx. 600 x 620 x 370 mm³

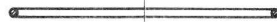
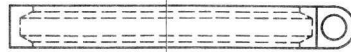
Net weight : approx. 54 kg



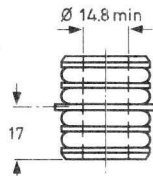
R. F. output connector



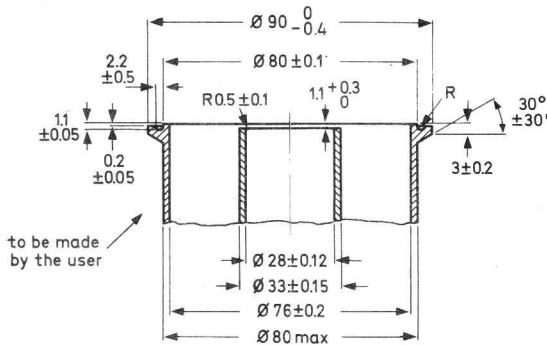
to amplifier output system



spigot 7322 120 04680



connector for inner conductor 7322 120 04690



termination coaxial line 76/33

COOLING

See cooling curves.

Direction of airflow: see drawing page 7.

Either sucking and blowing is possible via connections on the top panel.

IMPEDANCES

Input : 50 Ω (coaxial female connector, type N)

Output : 50 Ω (coaxial connector : see drawing page 3).

ENVIRONMENTAL DATA

Ambient temperature : 0 °C to +55 °C

Altitude : max. 3000 m

Relative humidity : up to 90 %

VOLTAGE STANDING-WAVE RATIO

Input : max. permissible 1.3 for acceptable performance

Output : max. permissible 1.3 for acceptable performance

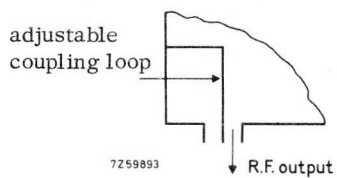
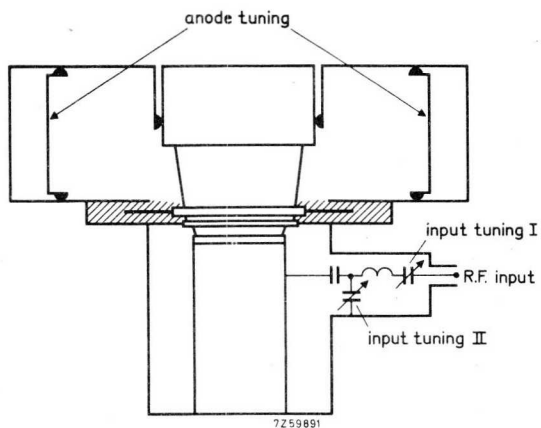
ADDITIONAL COMPONENTSa) Delivered with the assembly

Tube extractor	7322 120 07850
Mating male input connector	Radial type N
Output connector	
connector for inner conductor	7322 120 04690
spigot for outer conductor	7322 120 04680
clamping ring for outer conductor	7322 120 04670
Mating connector for anode voltage	Radial type R13060
Mating connector for screen grid voltage	Radial type R9510

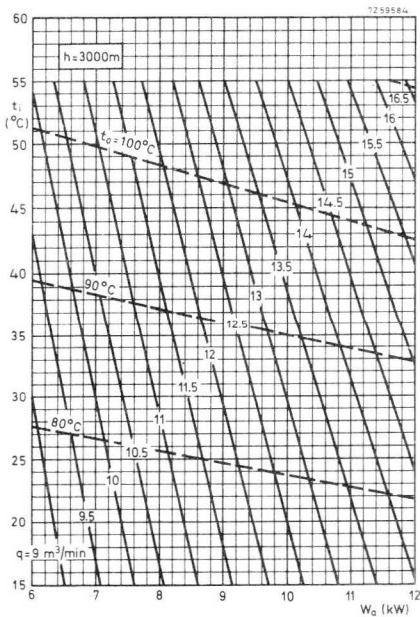
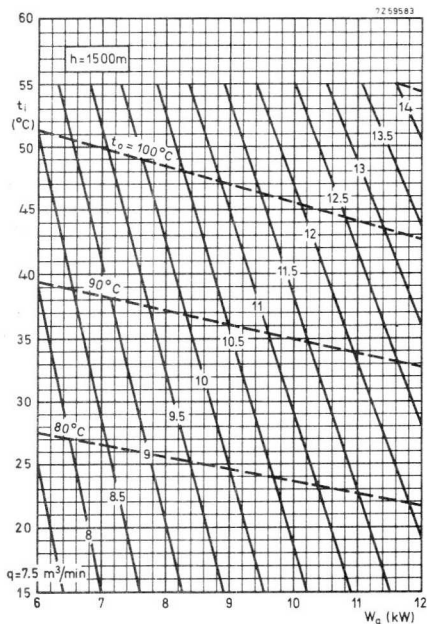
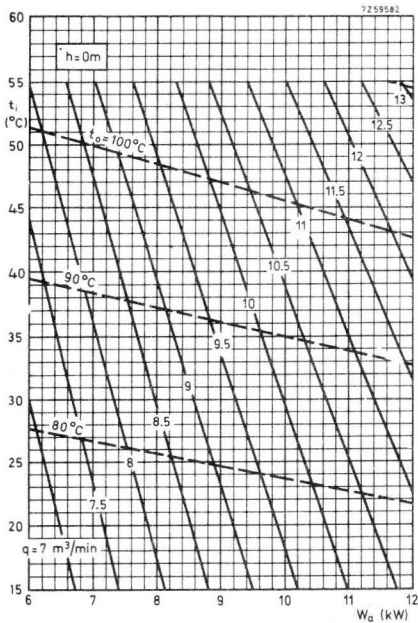
b) Recommended

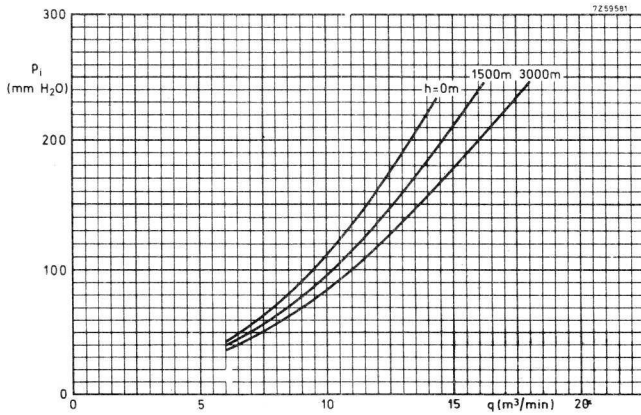
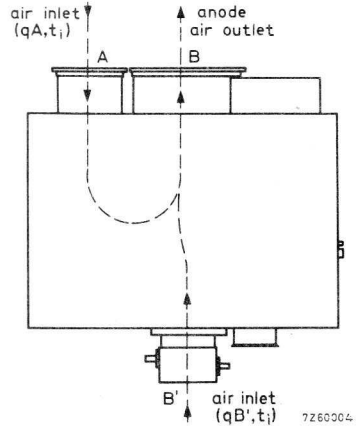
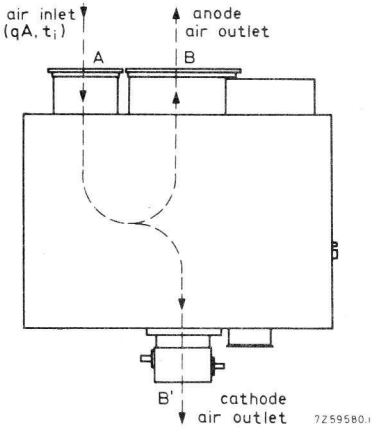
The use of circulator 2722 162 01191 (170 to 200 MHz) or 2722 162 01201 (200 to 230 MHz) is recommended.

CIRCUIT DIAGRAM



Cooling curves





Pressure drop P_i across cavity with YL1430 as a function of air flow q .

P_i = pressure drop from plane A to plane B or B'.

For blowing $q = q_A$

For sucking $q = q_A + q_{B'}$

BAND I AMPLIFIER CIRCUIT ASSEMBLY FOR YL1440 VISION

Channel tuned cavity-type circuit assembly to be used with YL1440 to form a broad-band grounded-grid linear amplifier for television signals in Band I. The unit thus obtained can be put to good use in any of the principal monochrome and colour television systems.

QUICK REFERENCE DATA

Class AB linear amplifier (vision)

Frequency	48	to	83	MHz
Anode voltage			2,5	kV
Output power in load , sync			1,17	kW
Power gain			14	
Frequency	48	to	83	MHz
Anode voltage			2	kV
Output power in load , sync			0,67	kW
Power gain			16	

FREQUENCY RANGE

48, 25 to 69, 25 MHz and channel tuned
77, 25 to 83, 25 MHz

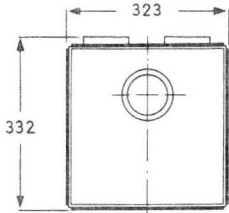
OPERATING CONDITIONS (For YL1440)

For detailed operating conditions reference is made to the data sheets for tube type YL1440.

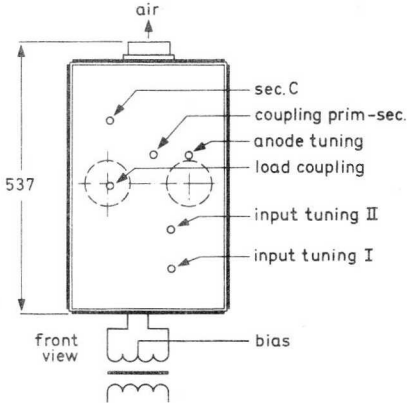
MECHANICAL DATA

Dimensions in mm

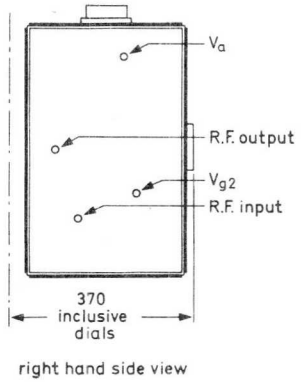
Dimensions: approx. 516 x 323 x 323 mm³
Net weight : approx. 23 kg



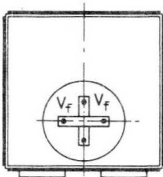
top view



front view



right hand side view



bottom view

72 60316

COOLING

See cooling curves.

Direction of airflow: see drawing page 6.

Either sucking and blowing is possible via connections on the top panel and the rear panel.

IMPEDANCES

Input : 50 Ω (coaxial female connector type N)

Output : 50 Ω (coaxial female connector type HN)

ENVIRONMENTAL DATA

Ambient temperature : 0 °C to +55 °C

Altitude : max. 3000 m

Relative humidity : up to 90 %

VOLTAGE STANDING-WAVE RATIO

Input : max. permissible 1.3 for acceptable performance

Output : max. permissible 1.3 for acceptable performance

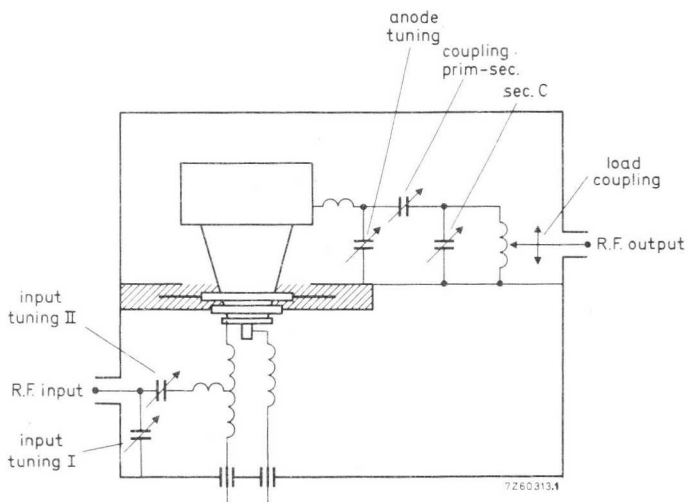
ADDITIONAL COMPONENTSDelivered with the assembly

Tube extractor	7322 120 02140
Mating male input connector	Radiall type N
Mating male output connector	Radiall type R7050
Mating connector for anode voltage	Radiall type R13060
Mating connector for screen grid voltage	Radiall type R9510
5 coils for vision carries	
5 coils for vision carrier frequencies 55.25; 61.25 to 62.25; 67.25; 77.25; 83.25 MHz	
Spanner for fitting the coils	

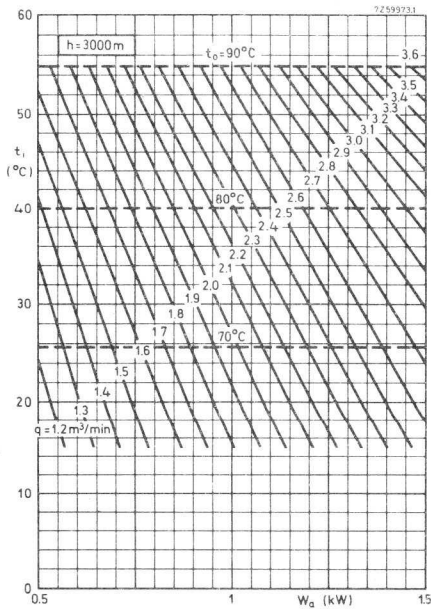
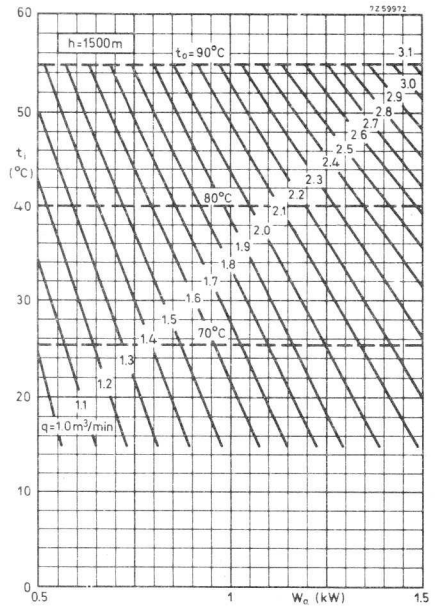
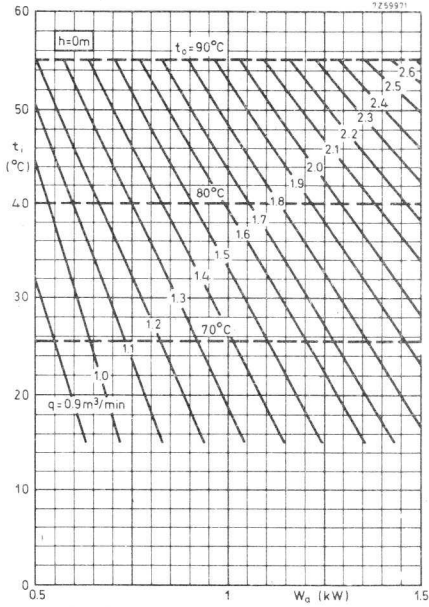
1)

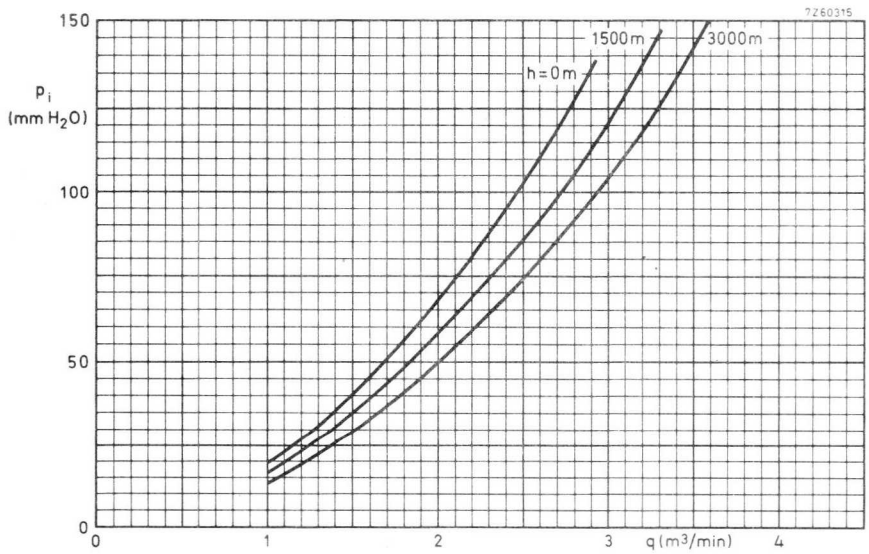
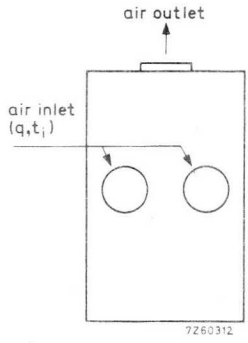
1) Coils covering vision carrier frequencies other than specified can be delivered on request.

CIRCUIT DIAGRAM



Cooling curves





BAND I AMPLIFIER CIRCUIT ASSEMBLY FOR YL1440 SOUND

Channel tuned amplifier circuit assembly to be used with YL1440 to form a grounded-grid amplifier of frequency-modulated signals in Band I.

QUICK REFERENCE DATA			
Frequency (MHz)	Class B amplifier (sound)		
	V_a (kV)	W_ℓ (kW) CCIR system	Power gain
up to 88	3.5	2.4	26

FREQUENCY RANGE

53 to 72 MHz and
82 to 88 MHz } channel tuned

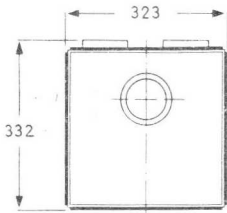
OPERATING CONDITIONS (For YL1440)

For detailed operating conditions reference is made to the data sheets for tube type YL1440.

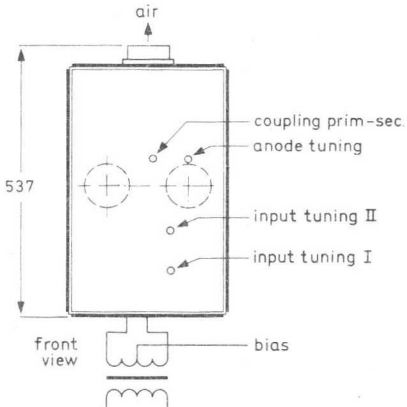
MECHANICAL DATA

Dimensions in mm

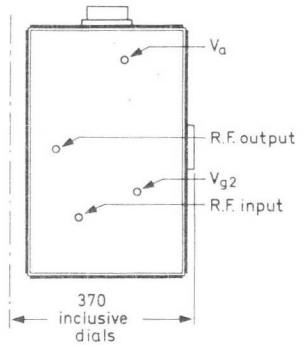
Dimensions: approx. 516 x 323 x 323 mm³
 Net weight : approx. 22.5 kg



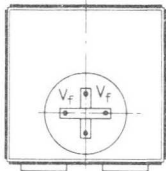
top view



front view



right hand side view



bottom view

7260317

COOLING

See cooling curves.

Direction of airflow: see drawing page 6.

Either sucking and blowing is possible via connections on the top panel and the rear panel.

IMPEDANCES

Input : 50 Ω (coaxial female connector type N)

Output : 50 Ω (coaxial female connector type HN)

ENVIRONMENTAL DATA

Ambient temperature : 0 °C to +55 °C

Altitude : max. 3000 m

Relative humidity : up to 90%

VOLTAGE STANDING-WAVE RATIO

Input : max. permissible 1,3 for acceptable performance

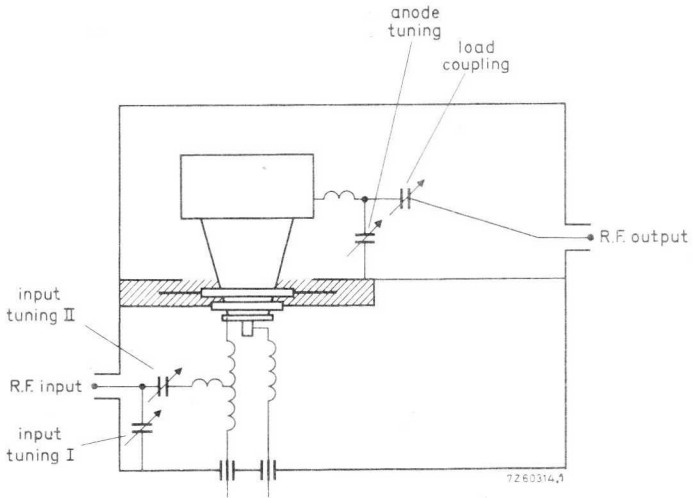
Output : max. permissible 1,3 for acceptable performance

ADDITIONAL COMPONENTSDelivered with the assembly

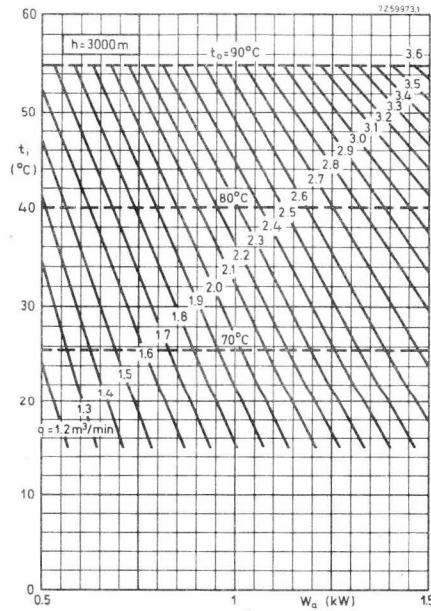
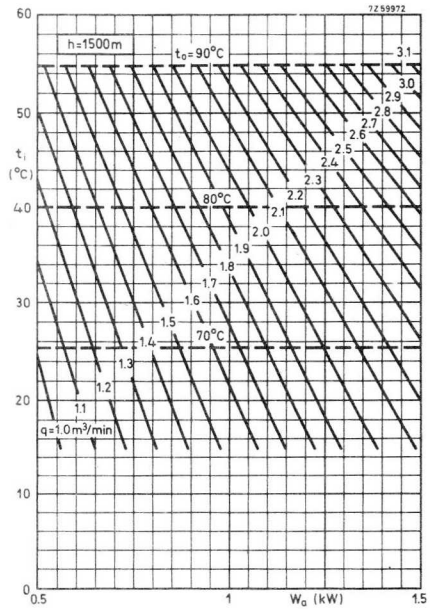
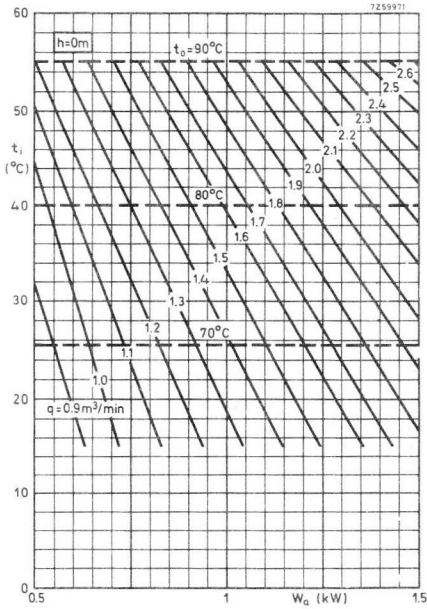
Tube extractor	7322 120 02140
Mating male input connector	Radiall type N
Mating male output connector	Radiall type R7050
Mating connector for anode voltage	Radiall type R13060
Mating connector for screen grid voltage	Radiall type R9510
5 coils for sound carrier frequencies 59.75 to 60.75; 65.75 to 67.75; 71.75 81.75; 87.75 MHz	1)
Spanner for fitting the coils	

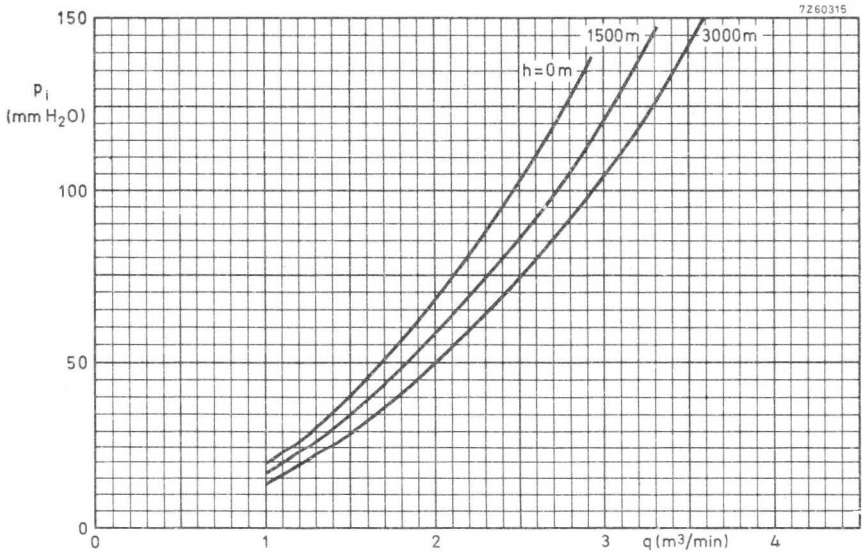
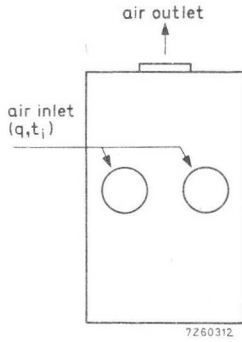
1) Coils covering sound carrier frequencies other than specified can be delivered on request.

CIRCUIT DIAGRAM



Cooling curves

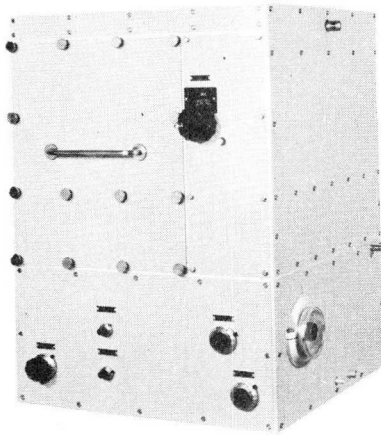




BAND I AMPLIFIER CIRCUIT ASSEMBLY FOR YL1420

VISION

Amplifier circuit assembly to be used with YL1420 to form a broad-band grounded-grid linear amplifier for television signals in Band I.



RZ 29794-2

QUICK REFERENCE DATA

Frequency (MHz)	Class AB linear amplifier (vision)		
	V_a (kV)	$W_{l\text{sync}}$ (kW)(CCIR system)	Power gain
83.25	4	6.25	18.5
55.25	4	6.25	16

FREQUENCY RANGE

55.25 to 67.25 MHz and
77.25 to 83.25 MHz } channel tuned

OPERATING CONDITIONS (For YL1420)

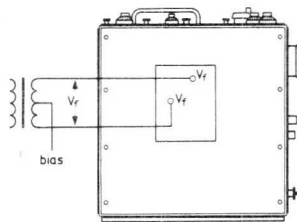
For detailed operating conditions reference is made to the data sheets for tube type YL1420.

MECHANICAL DATA

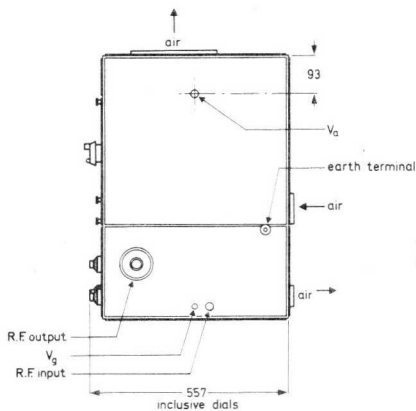
Dimensions in mm

Dimensions: approx. 700 x 500 x 500 mm³

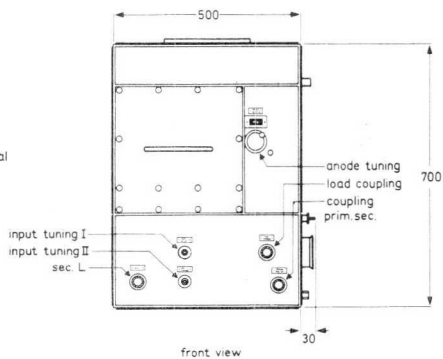
Net weight: approx. 70 kg



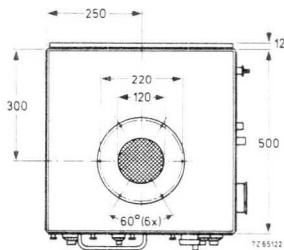
bottom view



right hand side view

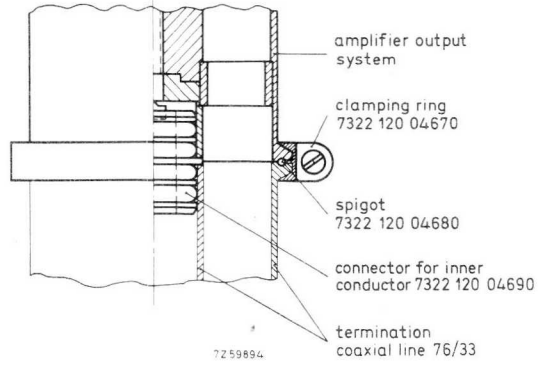


front view

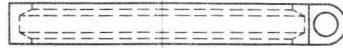


top view

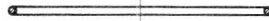
Output connector



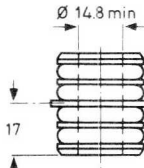
↑ to amplifier output system



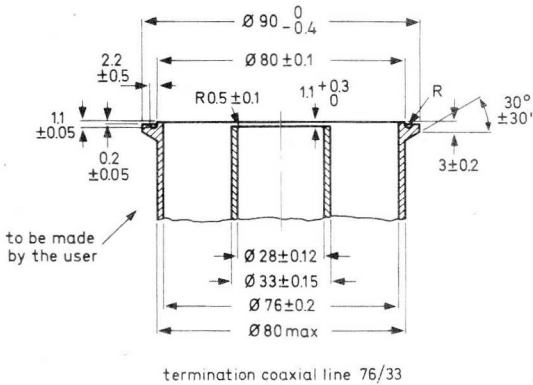
clamping ring 7322 120 04670



spigot 7322 120 04680



connector for inner conductor 7322 120 04690



COOLING

See cooling curves.

Direction of air flow: see page 7.

The cooling air, supplied by an external source, is admitted through an inlet in the rear panel.

IMPEDANCES

Input : 50 Ω (coaxial femal connector, type N)

Output: 50 Ω (coaxial female connector, see drawing page 3)

ENVIRONMENTAL DATA

Ambient temperature : 0 $^{\circ}\text{C}$ to +55 $^{\circ}\text{C}$

Altitude : max. 3000 m

Relative humidity : up to 90%

VOLTAGE STANDING-WAVE RATIO

Input : max. permissible 1.3 for acceptable performance

Output : max. permissible 1.3 for acceptable performance

ADDITIONAL COMPONENTSa) Delivered with assembly

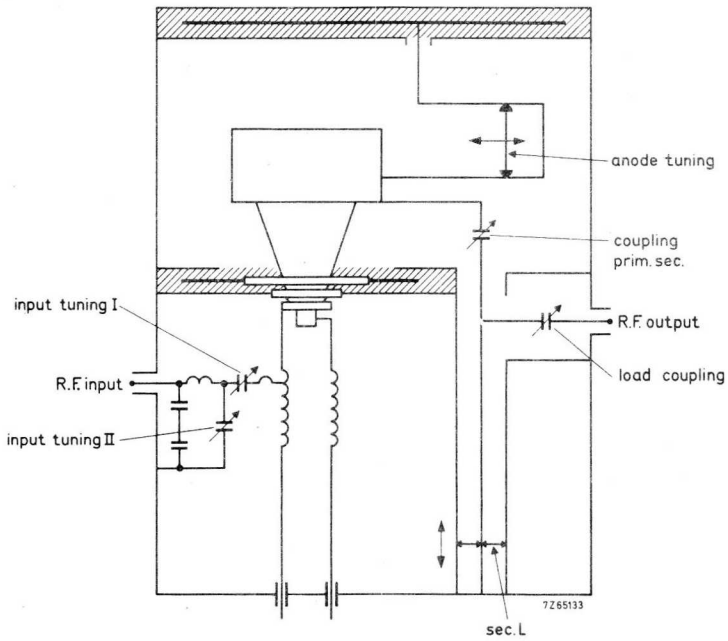
Tube extractor	7322 120 07850	
Mating male input connector	Radiall type N	
Output connector		
connector for inner conductor	7322 120 04690	
spigot for outer conductor	7322 120 04680	
clamping ring for outer conductor	7322 120 04670	
Mating connector for anode voltage	Radiall type R13060	
Mating connector for screen grid voltage	Radiall type R9510	
Anode coil covering frequency range		
55, 25 to 67, 25 MHz	-----	1)
Elbow for secondary circuit covering		
frequency range 55, 25 to 67, 25 MHz	-----	

b) Not delivered with assembly

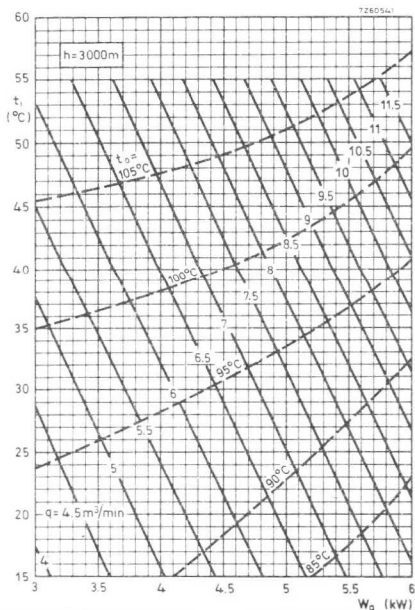
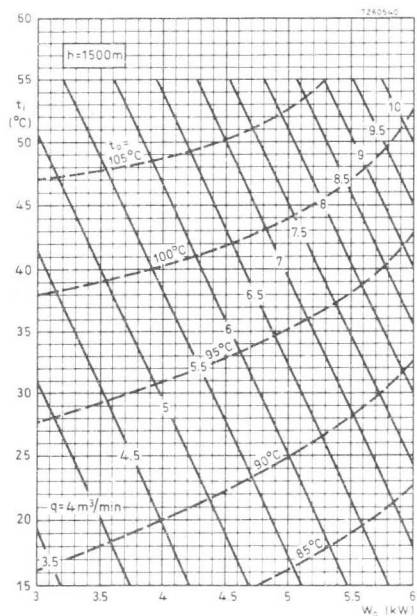
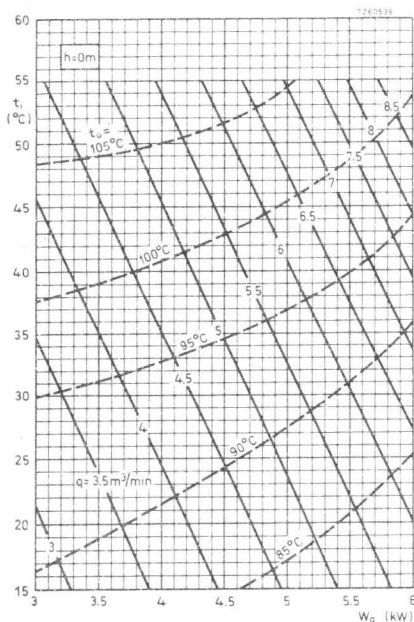
Anode coil covering frequency range		
77, 25 to 83, 25 MHz	8222 032 11860	1)
Elbow for secondary circuit covering		
frequency range 77, 25 to 83, 25 MHz	8222 032 11790	

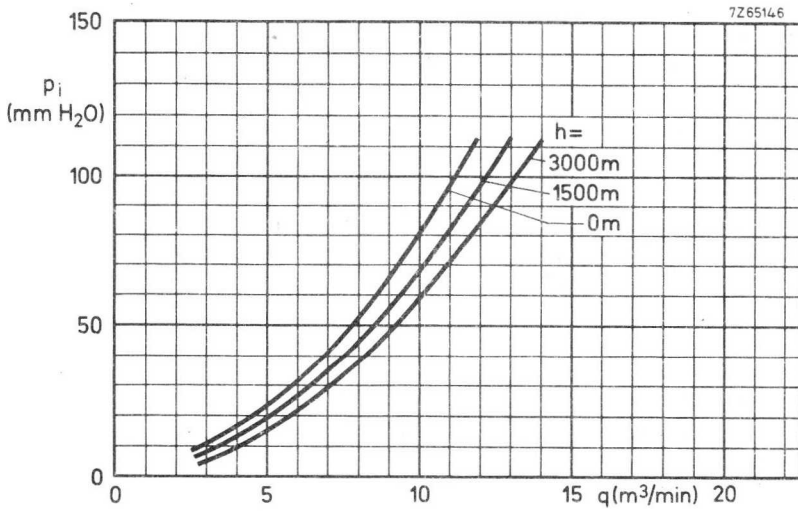
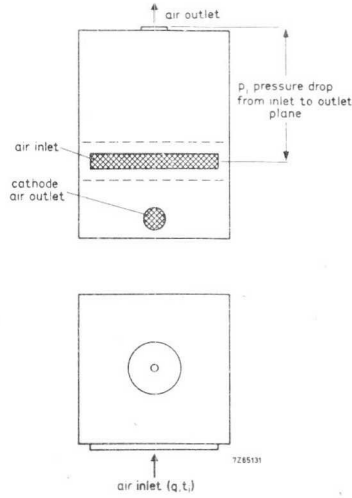
1) For use on carrier frequencies other than specified please contact the manufacturer.

CIRCUIT DIAGRAM



Cooling curves





BAND I AMPLIFIER CIRCUIT ASSEMBLY FOR YL1420 SOUND

Channel tuned amplifier circuit assembly to be used with YL1420 to form a grounded-grid amplifier of frequency-modulated signals in Band I.

QUICK REFERENCE DATA			
Frequency (MHz)	Class B amplifier (sound)		
	V_a (kV)	W_{ℓ} (kW) CCIR system	Power gain
up to 88	7	10.5	32

FREQUENCY RANGE

53 to 72 MHz and
82 to 88 MHz } channel tuned

OPERATING CONDITIONS (For YL1420)

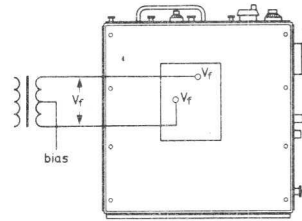
For detailed operating conditions reference is made to the data sheets for tube type YL1420.

MECHANICAL DATA

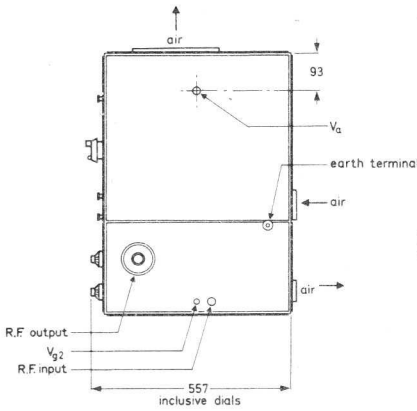
Dimensions in mm

Dimensions : approx. 700 x 500 x 500 mm³

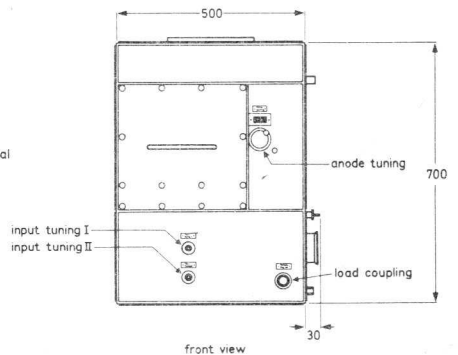
Net weight : approx. 58 kg



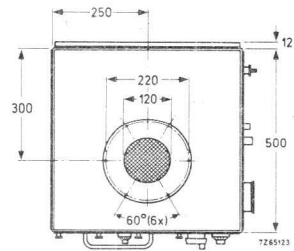
bottom view



right hand side view

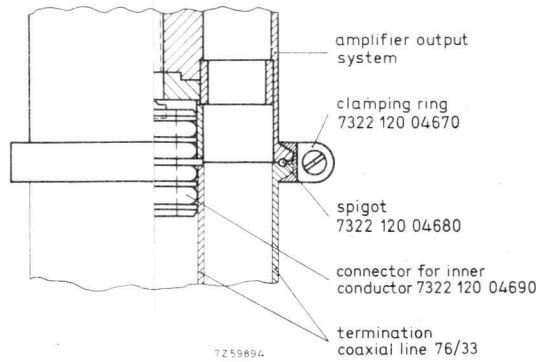


front view



top view

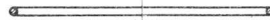
Output connector



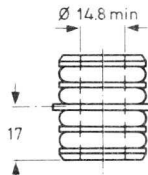
↑ to amplifier output system



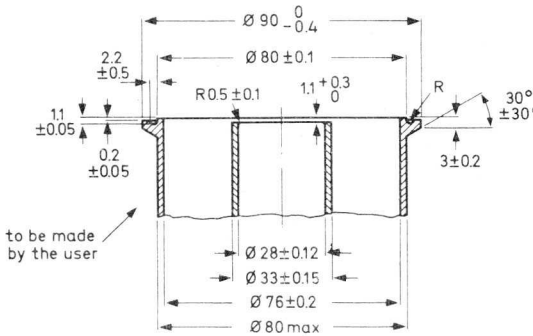
clamping ring 7322 120 04670



spigot 7322 120 04680



connector for inner conductor 7322 120 04690



termination coaxial line 76/33

COOLING

See cooling curves.
 Direction of air flow : see page 7.

The cooling air, supplied by an external source, is admitted through an inlet in the rear panel.

IMPEDANCES

Input : 50 Ω (coaxial female connector, type N)
 Output : 50 Ω (coaxial female connector, see drawing page 3)

ENVIRONMENTAL DATA

Ambient temperature : 0 °C to +55 °C
 Altitude : max. 3000 m
 Relative humidity : up to 90%

VOLTAGE STANDING-WAVE RATIO

Input : max. permissible 1.3 for acceptable performance
 Output : max. permissible 1.3 for acceptable performance

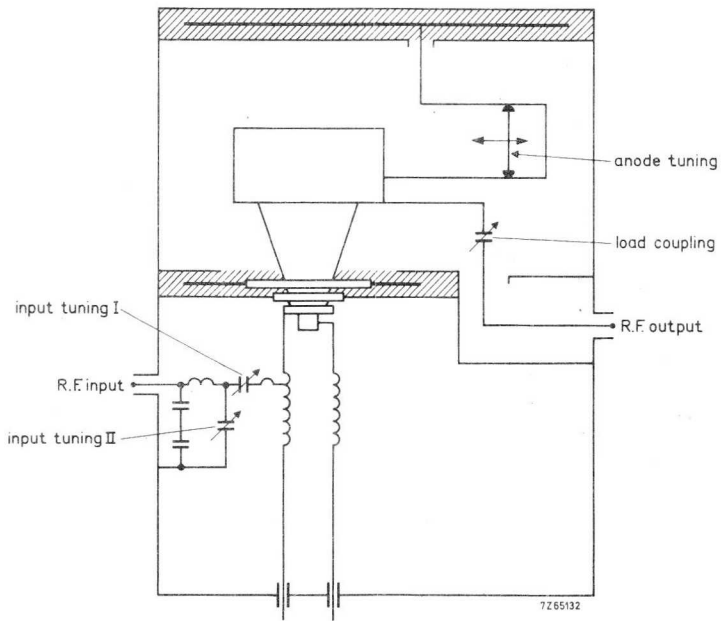
ADDITIONAL COMPONENTSa) Delivered with assembly

Tube extractor	7322 120 07850
Mating male input connector	Radial type N
Output connector	
connector for inner conductor	7322 120 04690
spigot for outer conductor	7322 120 04680
clamping ring for outer conductor	7322 120 04670
Mating connector for anode voltage	Radial type R13060
Mating connector for screen grid voltage	Radial type R9510
Anode coil covering frequency range 53 to 72 MHz	----

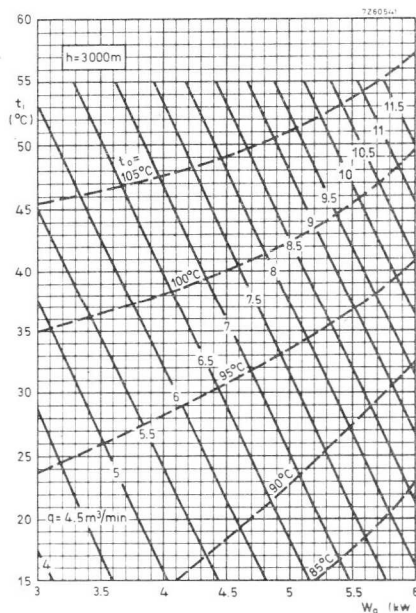
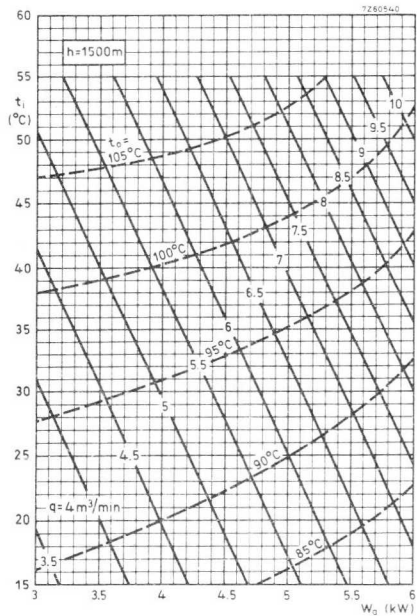
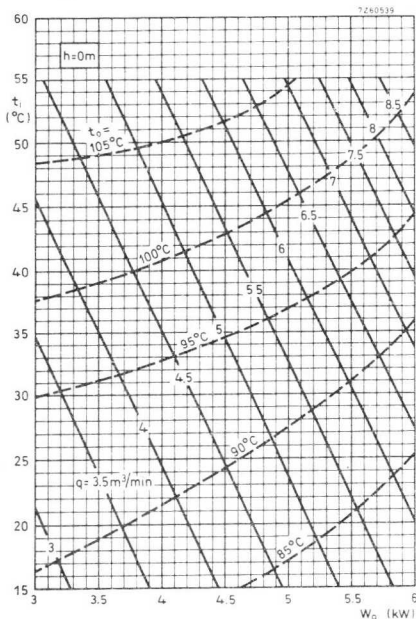
b) Not delivered with assembly

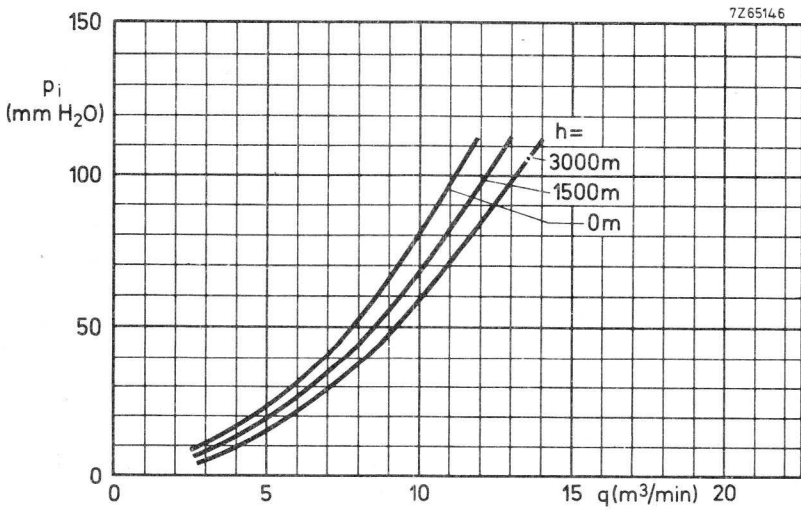
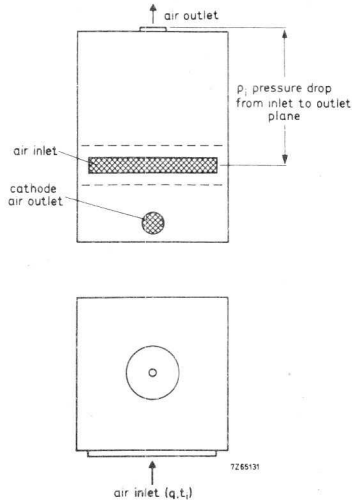
Anode coil covering frequency range 82 to 88 MHz	8222 032 11860
---	----------------

CIRCUIT DIAGRAM



Cooling curves

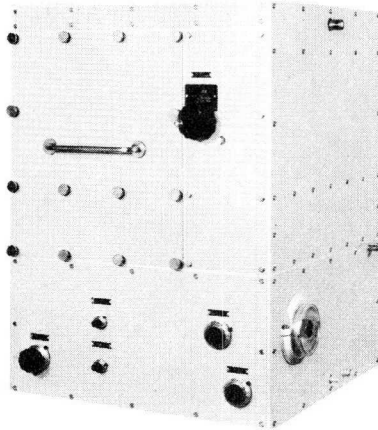




BAND I AMPLIFIER CIRCUIT ASSEMBLY FOR YL1430 OR YL1520

VISION

Amplifier circuit to be used with YL1430 or YL1520 to form a broad-band grounded grid linear amplifier for television signals in Band I.



RZ 29794-2

QUICK REFERENCE DATA

Frequency (MHz)	Type	Class AB linear amplifier (vision)		
		V_a (kV)	W_{ℓ} sync (kW)(CCIR) system	Power gain
83.25	YL1430	5.5	13.2	20
55.25		5.5	13.2	18
55.25		4.0	6.4	18
83.25	YL1520	6.5	20	24
55.25			20	22

FREQUENCY RANGE

55.25 to 69.25 MHz and } channel tuned
77.25 to 83.25 MHz

OPERATING CONDITIONS (For YL1430 or YL1520)

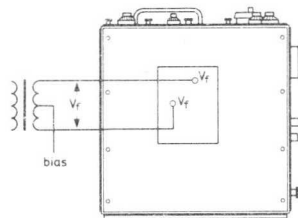
For detailed operating conditions reference is made to the data sheets for tube type YL1430 or YL1520.

MECHANICAL DATA

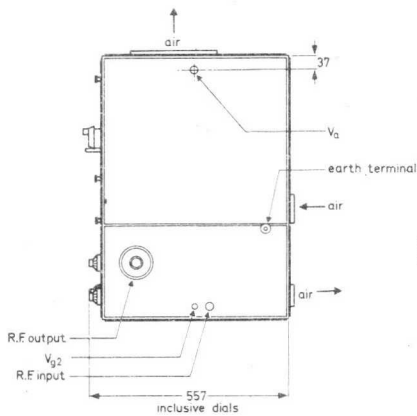
Dimensions in mm

Dimensions: approx. 700 x 500 x 500 mm³

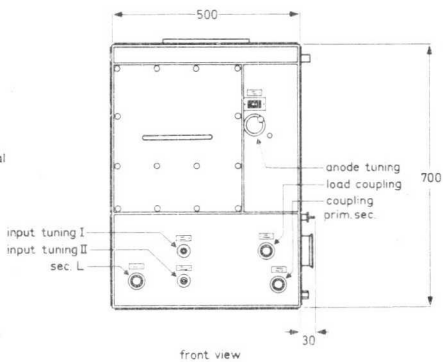
Net weight : approx. 70 kg



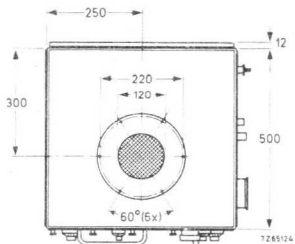
bottom view



right hand side view

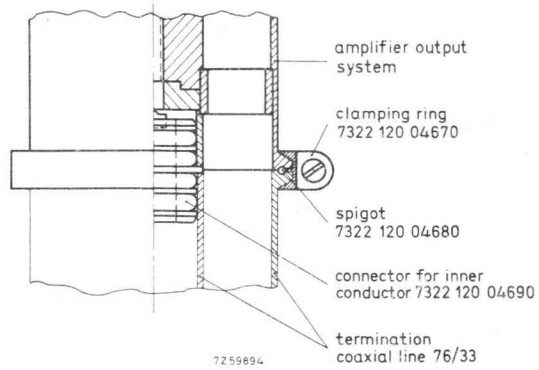


front view



top view

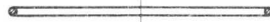
Output connector



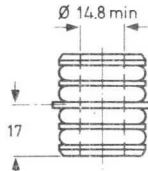
↑ to amplifier output system



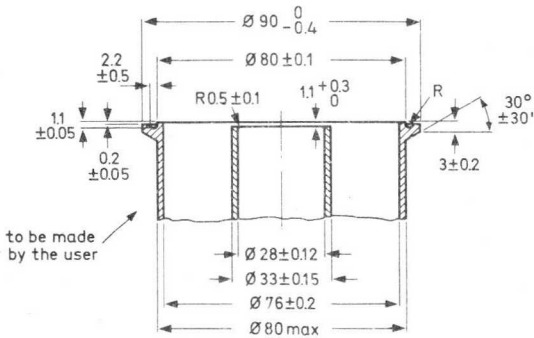
clamping ring 7322 120 04670



spigot 7322 120 04680



connector for inner conductor 7322 120 04690



termination coaxial line 76/33

COOLING

See cooling curve.

Direction of air flow: see page 8.

The cooling air, supplied by an external source, is admitted through an inlet in the rear panel.

IMPEDANCES

Input : 50 Ω (coaxial female connector, type N)

Output : 50 Ω (coaxial female connector, see drawing page 3)

ENVIRONMENTAL DATA

Ambient temperature : 0 °C to +55 °C

Altitude : max. 3000 m

Relative humidity : up to 90%

VOLTAGE STANDING-WAVE RATIO

Input : max. permissible 1.3 for acceptable performance

Output : max. permissible 1.3 for acceptable performance

ADDITIONAL COMPONENTSa) Delivered with assembly

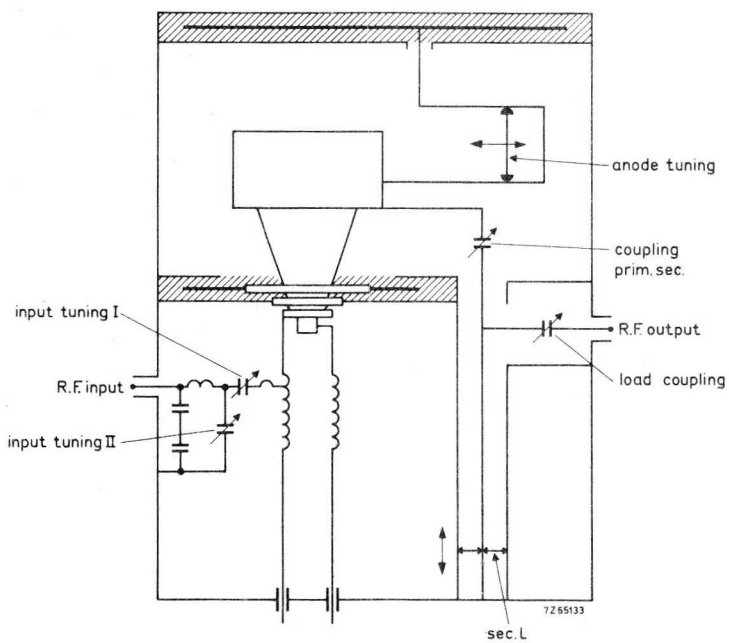
Tube extractor	7322 120 07850	
Mating male input connector	Radiall type N	
Output connector		
connector for inner conductor	7322 120 04690	
spigot for outer conductor	7322 120 04680	
clamping ring for outer conductor	7322 120 04670	
Mating connector for anode voltage	Radiall type R13060	
Mating connector for screen grid voltage	Radiall type R9510	
Anode coil covering frequency range		
55.25 to 67.25 MHz for YL1430 and	----	1)
55.25 to 61.25 MHz for YL1520		
Elbow for secondary circuit covering		
frequency range 55.25 to 67.25 MHz	----	
for both types		

b) Not delivered with assembly

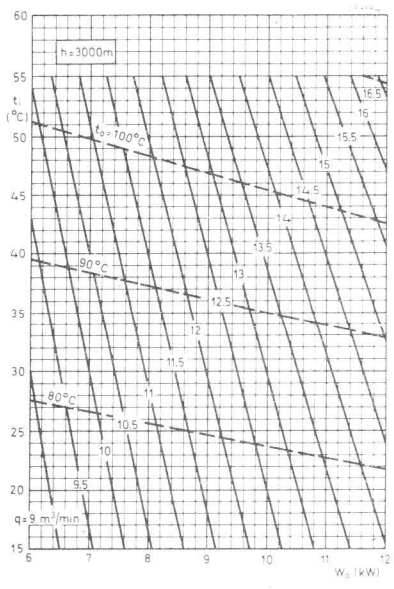
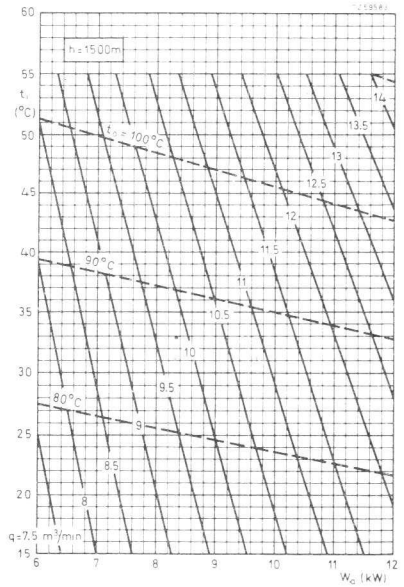
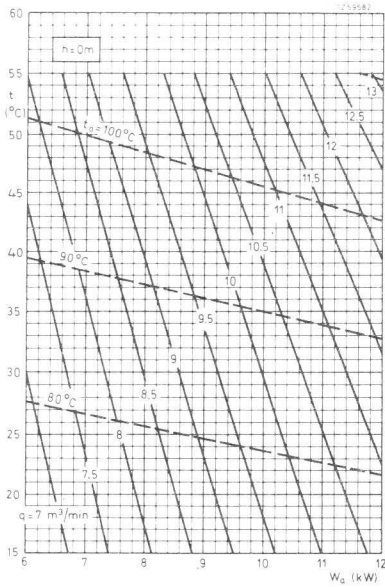
Anode coil covering frequency range		
77.25 to 83.25 MHz for YL1430 and	8222 032 11860	1)
67.25 to 83.25 MHz for YL1520		
Elbow for secondary circuit covering		
frequency range 77.25 to 83.25 MHz	8222 032 11790	
for both types		

1) For use on carrier frequencies other than specified please contact the manufacturer.

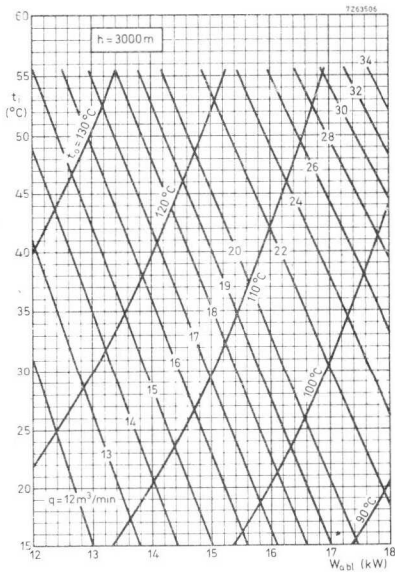
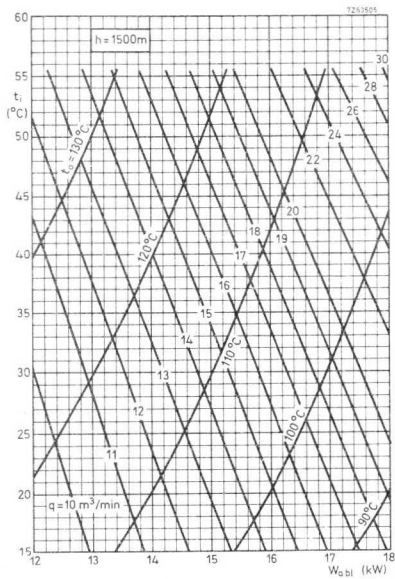
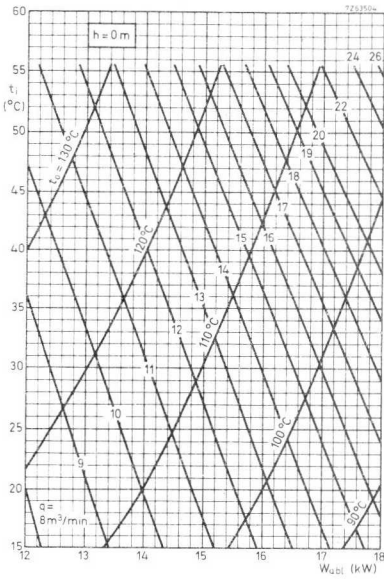
CIRCUIT DIAGRAM

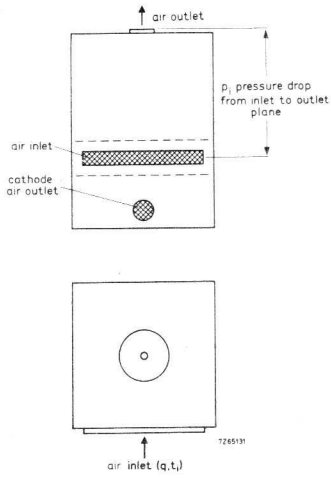


Cooling curves for amplifier 40759 fitted with tube YL1430



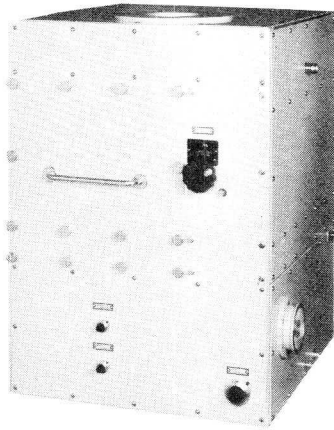
Cooling curves for amplifier 40759 fitted with tube YL1520





BAND I AMPLIFIER CIRCUIT ASSEMBLY FOR YL1430 OR YL1520 SOUND

Amplifier circuit assembly to be used with YL1430 or YL1520 to form a grounded-grid amplifier of frequency modulated signals in Band I.



RZ 30263-3

QUICK REFERENCE DATA

Class AB linear amplifier (sound)				
Frequency (MHz)	Type	V_a (kV)	W_ℓ (kW)	Power gain
up to 88	YL1430	7.5	13	32.5

FREQUENCY RANGE

53 to 72 MHz and } channel tuned
82 to 88 MHz

OPERATING CONDITIONS (For YL1430 and YL1520)

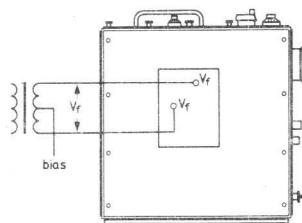
For detailed operating conditions reference is made to the data sheets for tube type YL1430 and YL1520.

MECHANICAL DATA

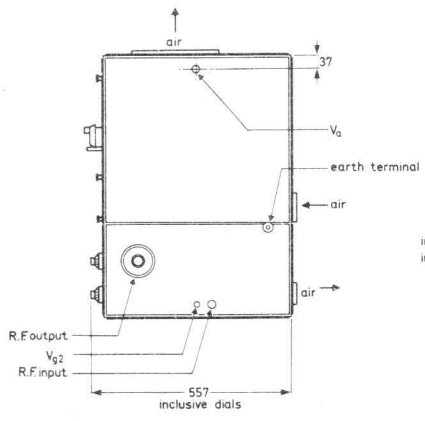
Dimensions in mm

Dimensions in : approx. 700 x 500 x 500 mm³

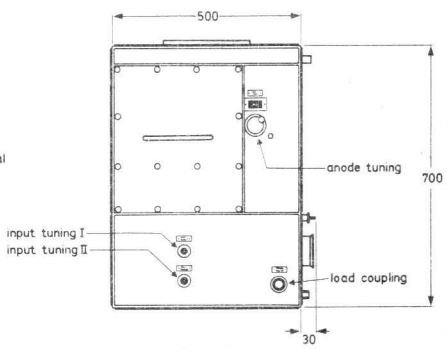
Net weight : approx. 58 kg



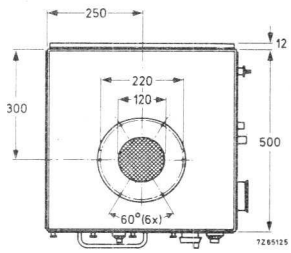
bottom view



right hand side view

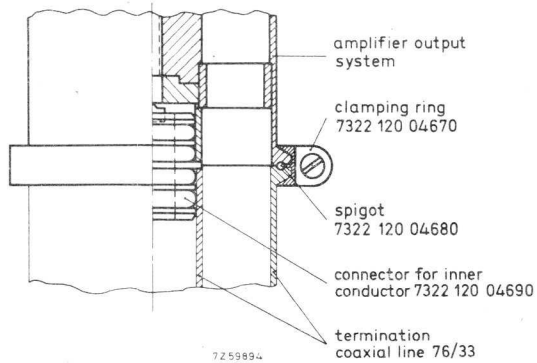


front view

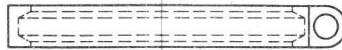


top view

Output connector



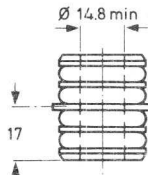
↑ to amplifier output system



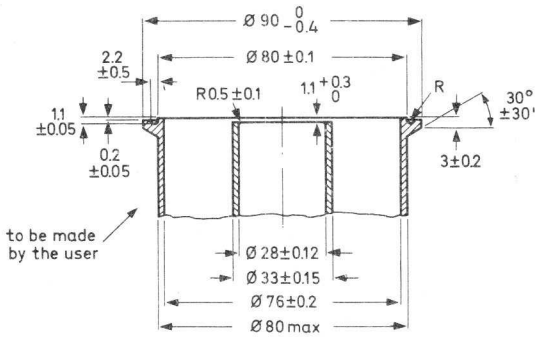
clamping ring 7322 120 04670



spigot 7322 120 04680



connector for inner conductor 7322 120 04690



termination coaxial line 76/33

COOLING

See cooling curves.

Direction of air flow: see page 8.

The cooling air, supplied by an external source, is admitted through an inlet in the rear panel.

IMPEDANCES

Input : 50 Ω (coaxial female connector, type N)

Output : 50 Ω (coaxial female connector, see drawing page 3)

ENVIRONMENTAL DATA

Ambient temperature : 0 $^{\circ}\text{C}$ to +55 $^{\circ}\text{C}$

Altitude : max. 3000 m

Relative humidity : up to 90%

VOLTAGE STANDING-WAVE RATIO

Input : max. permissible 1.3 for acceptable performance

Output : max. permissible 1.3 for acceptable performance

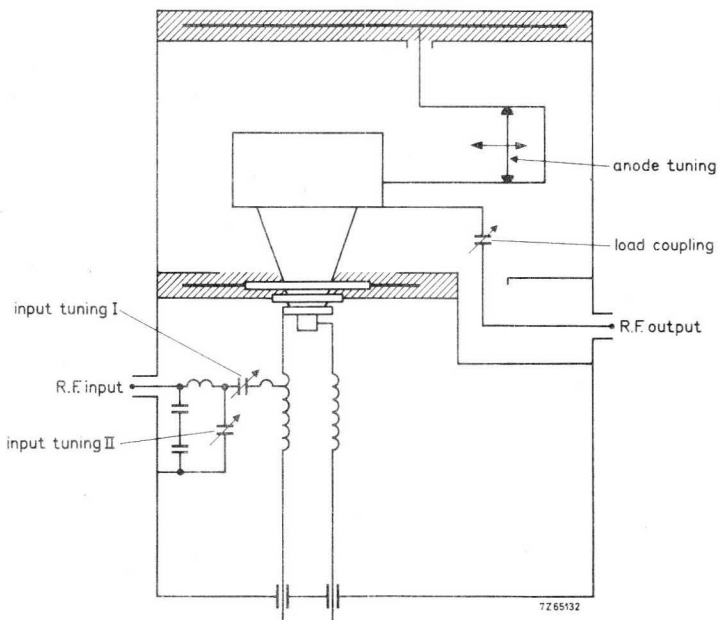
ADDITIONAL COMPONENTSa) Delivered with assembly

Tube extractor	7322 120 07850
Mating male input connector	Radial type N
Output connector	
connector for inner conductor	7322 120 04690
spigot for outer conductor	7322 120 04680
clamping ring for outer conductor	7322 120 04670
Mating connector for anode voltage	Radial type R13060
Mating connector for screen grid voltage	Radial type R9510
Anode coil covering frequency range	
53 to 72 MHz for YL1430 and	---
53 to 66 MHz for YL1520	

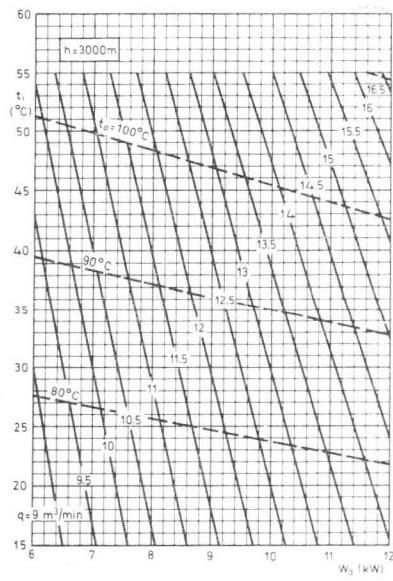
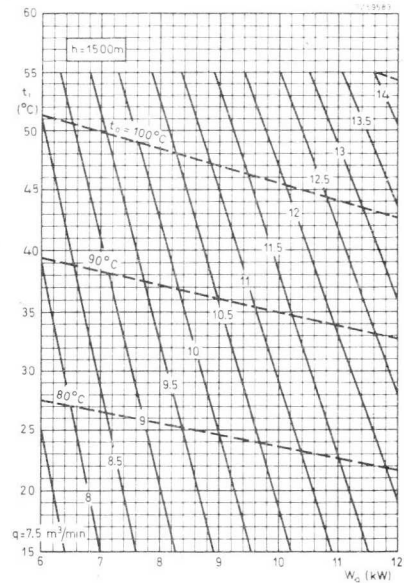
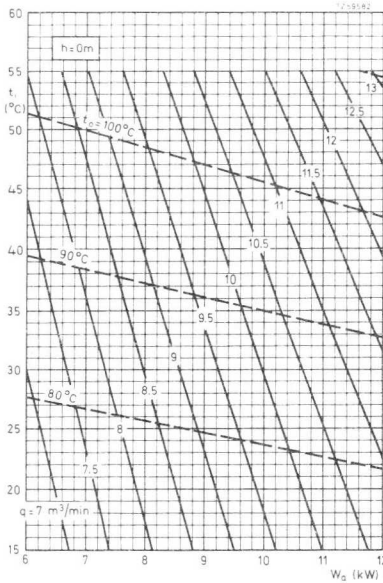
b) Not delivered with assembly

Anode coil covering frequency range	
82 to 88 MHz for YL1430 and	8222 032 11860
70 to 88 MHz for YL1520	
Shorting bar to use in addition with coils,	
for highest channel for YL1520	8222 032 57110

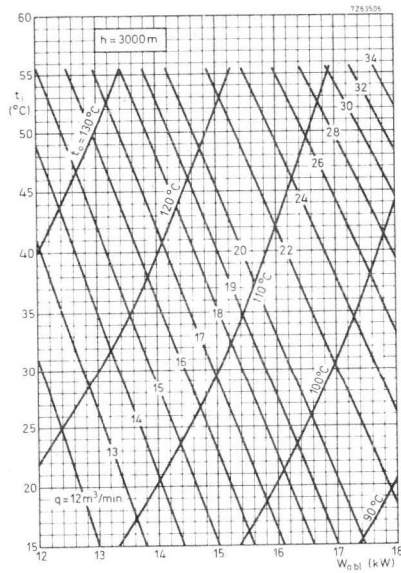
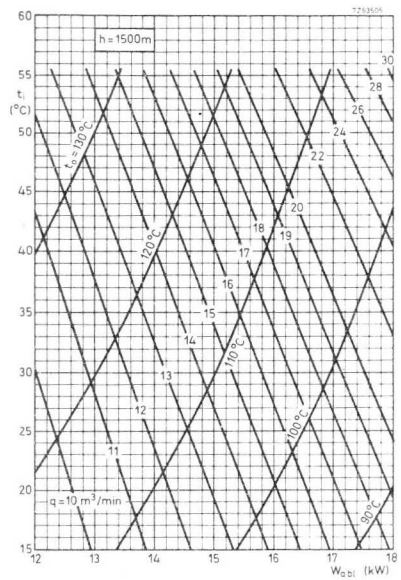
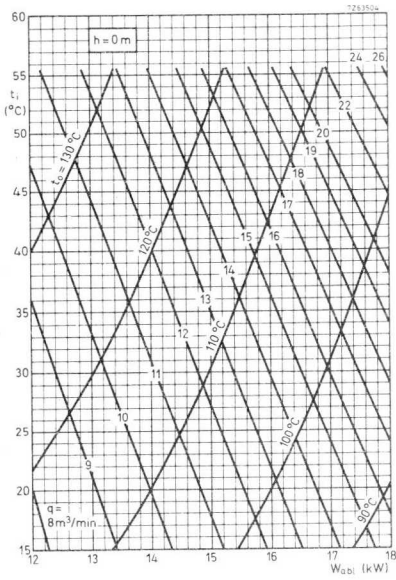
CIRCUIT DIAGRAM

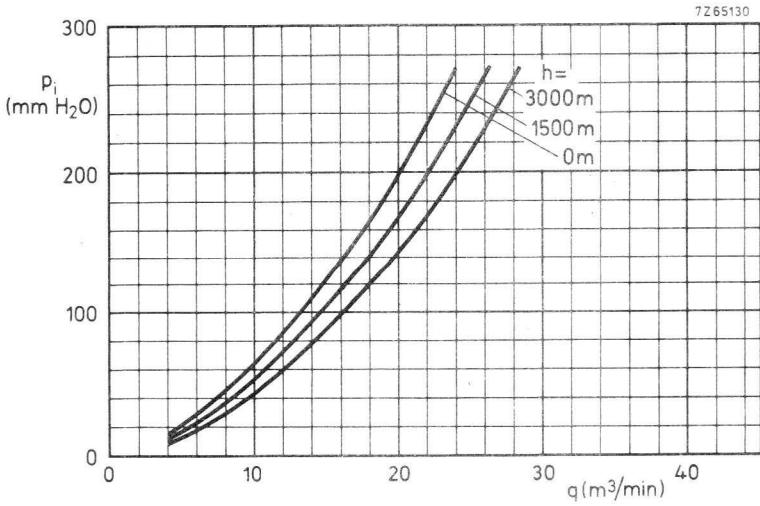
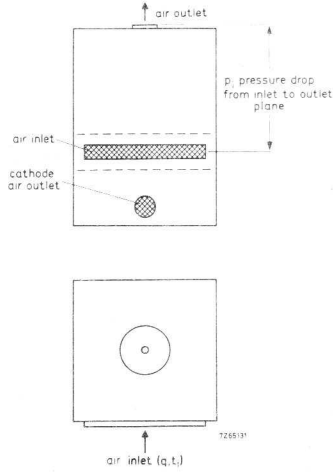


Cooling curves for amplifier 40760 fitted with tube YL1430



Cooling curves for amplifier 40760 fitted with tube YL1520





BAND III AMPLIFIER CIRCUIT ASSEMBLY FOR YL1520^{*)}

VISION AND COMBINED SOUND AND VISION

Continuously tunable cavity-type circuit assembly to be used with YL1520 to form a broad-band grounded-grid linear amplifier for television signals in Band III. The unit thus obtained can be put to good use in any of the principal monochrome and colour television systems.

QUICK REFERENCE DATA

QUICK REFERENCE DATA			
Class AB linear amplifier (vision)			
Frequency	170	to	230 MHz
Anode voltage			8 kV
Output power in load , sync			27,5 kW
Power gain			28,5
Class AB amplifier for television transposer service			
Frequency	175	to	225 MHz
Anode voltage			8 kV
Output power in load , sync			10,5 kW
Power gain			42

FREQUENCY RANGE

170 to 230 MHz continuously tunable.

OPERATING CONDITIONS (For YL1520)

For detailed operating conditions reference is made to the data sheets for tube type YL1520.

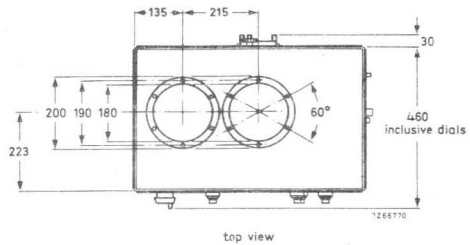
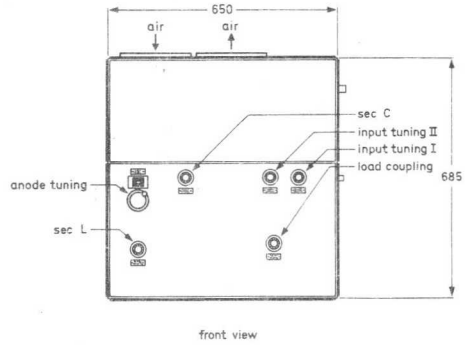
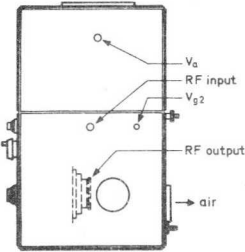
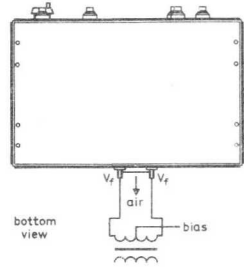
^{*} Slight modifications make this cavity usable for YL1430 in the range 205 to 260 MHz.

MECHANICAL DATA

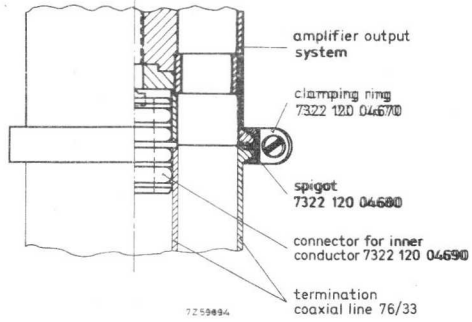
Dimensions in mm

Dimensions: approx. 685 x 415 mm³

Net weight: approx. 85 kg



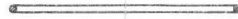
Output connector



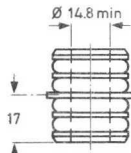
▲ to amplifier output system



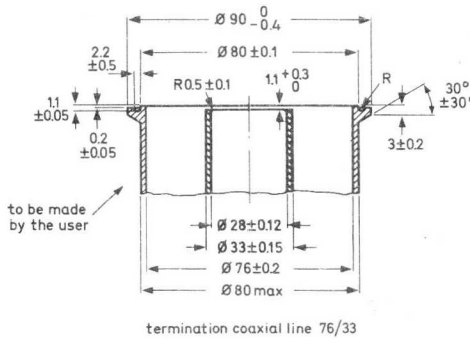
clamping ring 7322 120 04670



spigot 7322 120 04680



connector for inner conductor 7322 120 04690



COOLING

See cooling curves.

Direction of airflow: see drawing page 7.

IMPEDANCES

Input : 50 Ω (coaxial female connector, type HN)

Output: 50 Ω (coaxial female connector: see drawing page 3)

ENVIRONMENTAL DATA

Ambient temperature: 0 $^{\circ}\text{C}$ to +55 $^{\circ}\text{C}$

Altitude : max. 3000 m

Relative humidity : up to 90%

VOLTAGE STANDING-WAVE RATIO

Input : max. permissible 1,3 for acceptable performance

Output: max. permissible 1,3 for acceptable performance

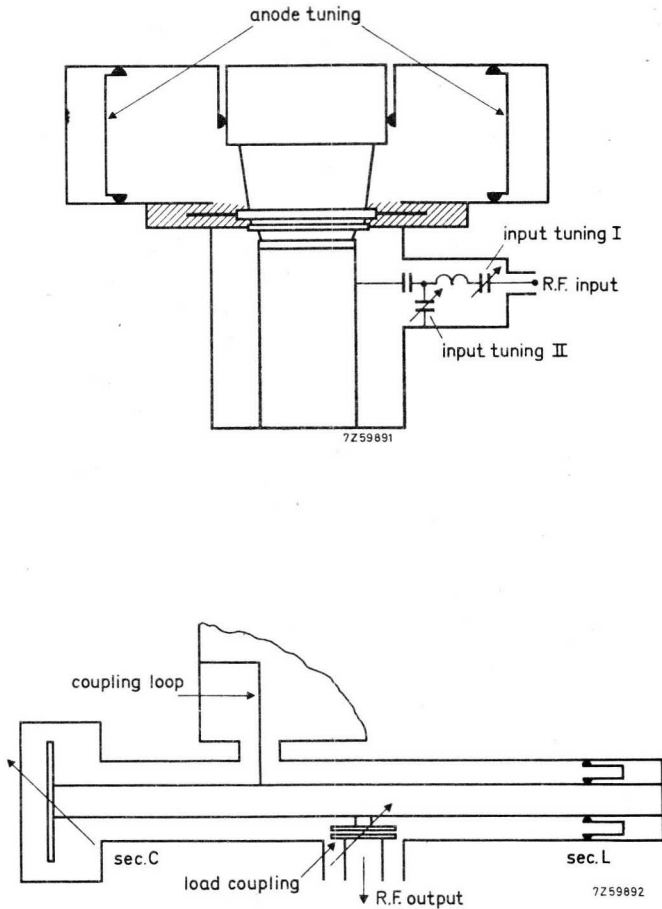
ADDITIONAL COMPONENTSa) Delivered with the assembly

Tube extractor	7322 120 07850
Mating male input connector	Radiall type HN R7050
Output connector	
connector for inner conductor	7322 120 04690
spigot for outer conductor	7322 120 04680
clamping ring for outer conductor	7322 120 04670
Mating connector for anode voltage	Radiall type R13060
Mating connector for screen grid voltage	Radiall type R9510
Coupling loop for 175, 25 MHz	7322 120 04730

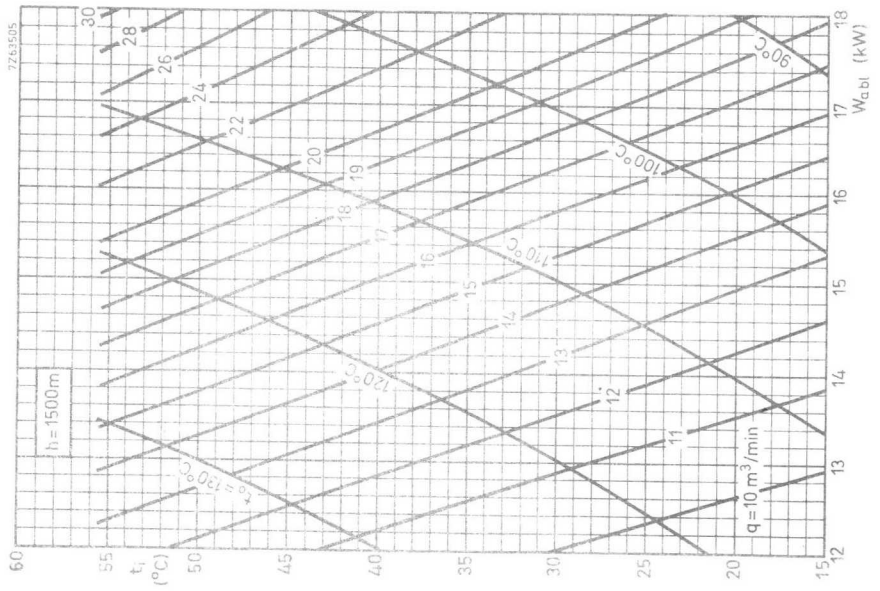
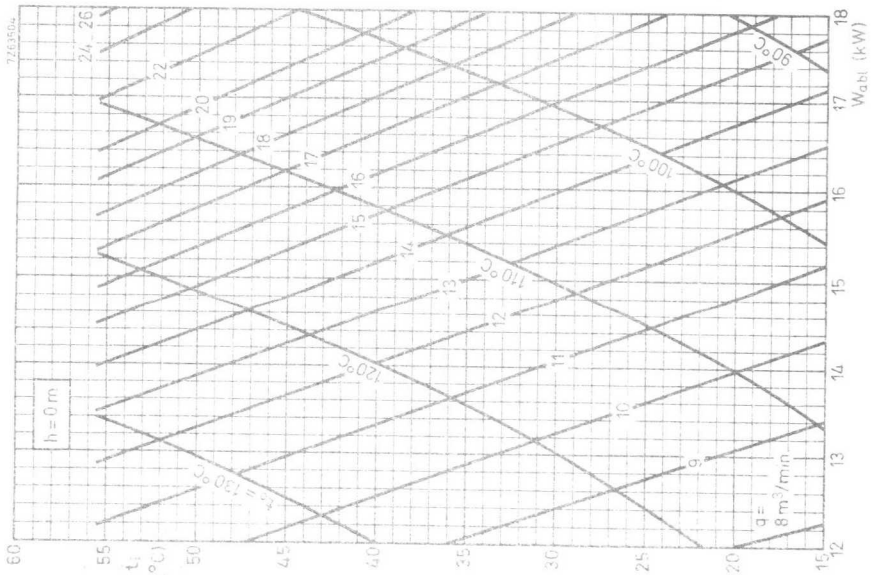
b) Recommended

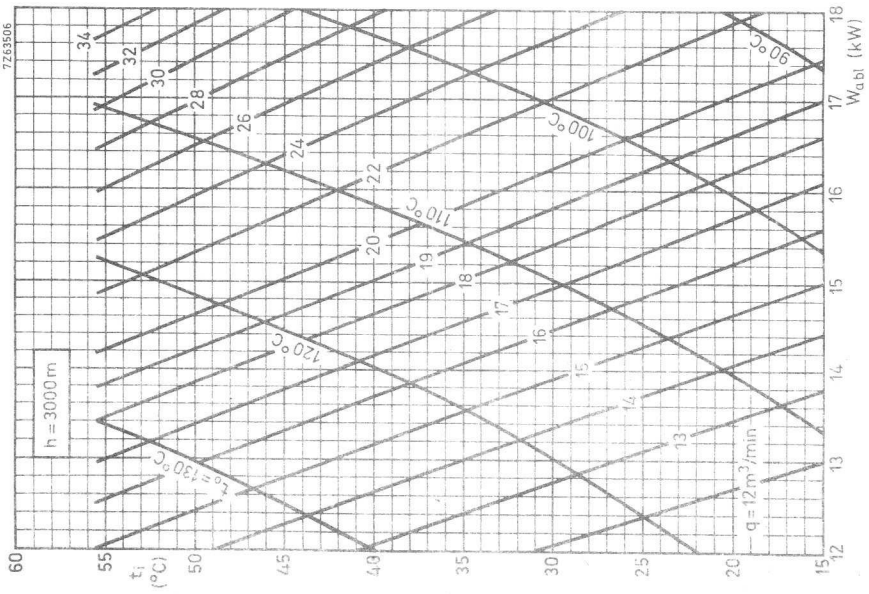
The use of circulator 2722 162 01191 (170 to 200 MHz) or 2722 162 01201 (200 to 230 MHz) is recommended.

CIRCUIT DIAGRAM

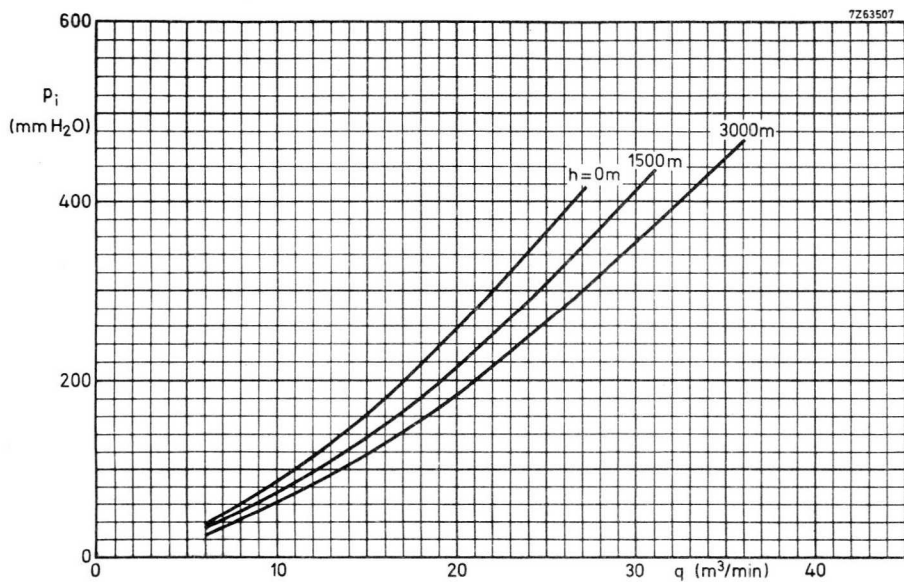
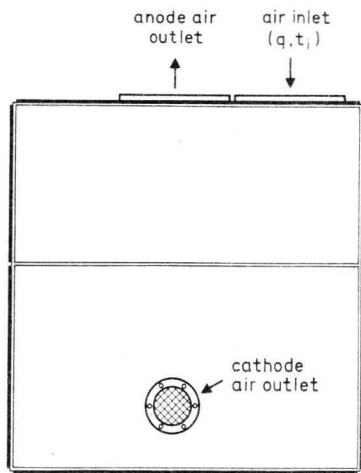


Cooling curves





Cooling curves



BAND II AMPLIFIER CIRCUIT ASSEMBLY FOR YL1470

Continuously tunable cavity-type circuit assembly to be used with YL 1470 to form a grounded-cathode amplifier of frequency-modulated signals in Band II.

QUICK REFERENCE DATA

Frequency (MHz)	Class B amplifier		
	V_a (kV)	W_f (kW) CCIR system	Power gain (dB)
87,5 - 108	7	11	22

FREQUENCY RANGE

87,5 MHz to 108 MHz, continuously tunable.

OPERATING CONDITIONS

For detailed operating conditions reference is made to the data sheets for tube type YL 1470.

COOLING

See cooling curves.

Direction of airflow: see drawing page 5. Only blowing is allowed.

IMPEDANCES

Input : 50Ω (coaxial female connector, type N)

Output: 50Ω (coaxial connector: EIA $1\frac{5}{8}$ in)

VOLTAGE STANDING - WAVE RATIO

Input : max. permissible 1,3 for acceptable performance

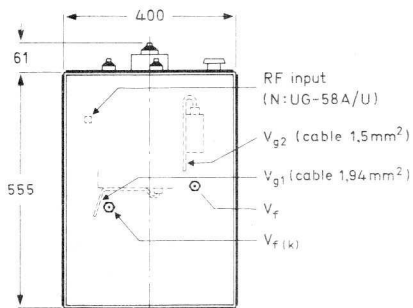
Output: max. permissible 1,3 for acceptable performance

MECHANICAL DATA

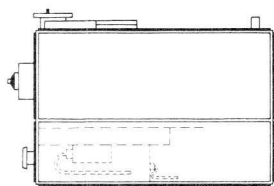
Dimensions in mm

Dimensions: approx. 400 x 380 x 615 mm

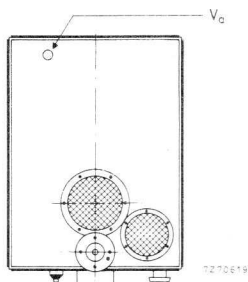
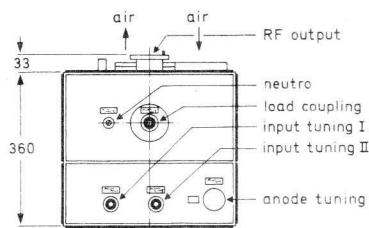
Net mass : approx. 54 kg



bottom view



right-hand side view



top view

ENVIRONMENTAL DATA

Ambient temperature: 0 °C to +55 °C

Altitude : max. 3000 m

Relative humidity : up to 90%

ADDITIONAL COMPONENTSSupplied with the assembly

Tube extractor

7322 120 07850

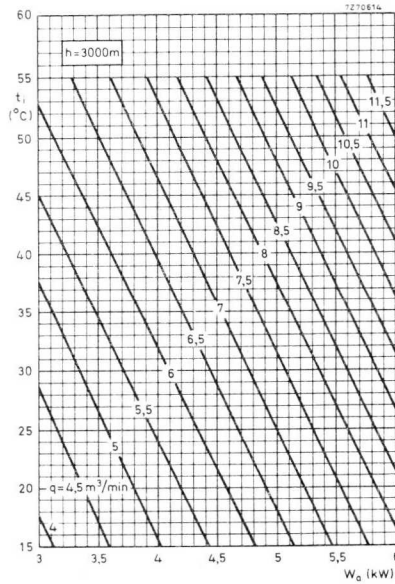
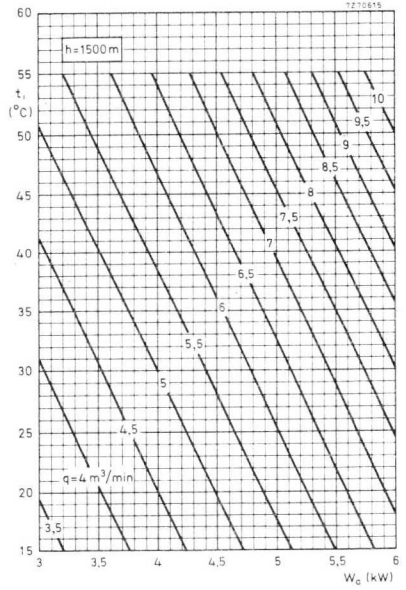
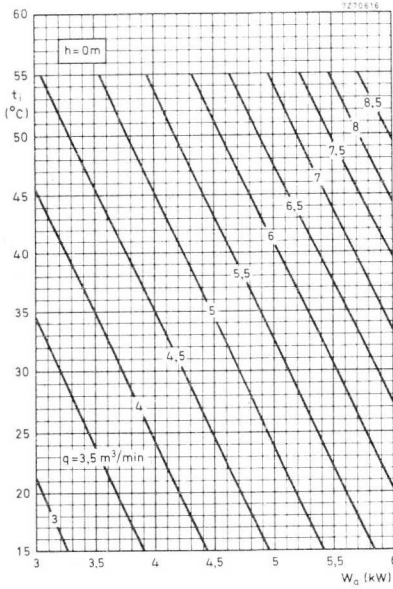
Mating male input connector

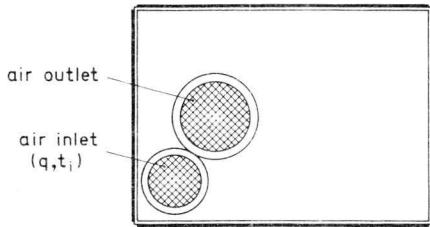
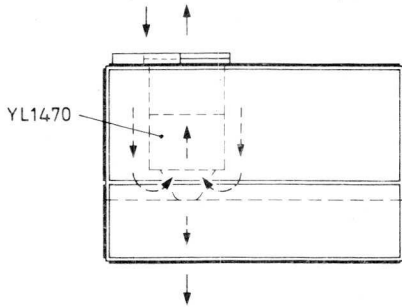
Radial type N

Mating connector for anode voltage

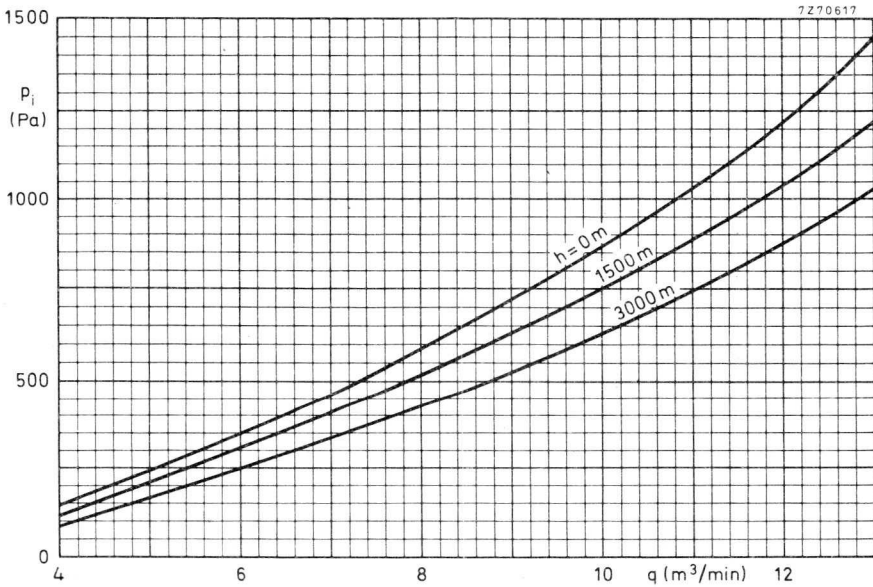
Radial type R 13060

Cooling curves





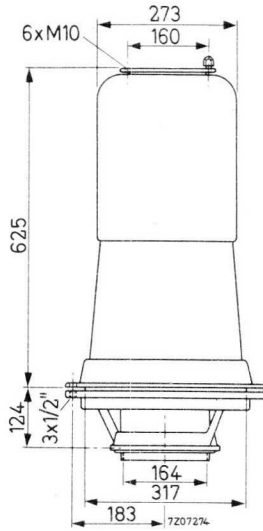
7Z70618



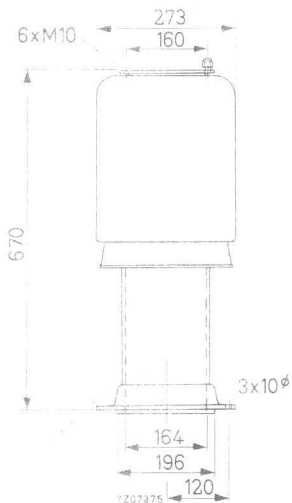
Associated accessories



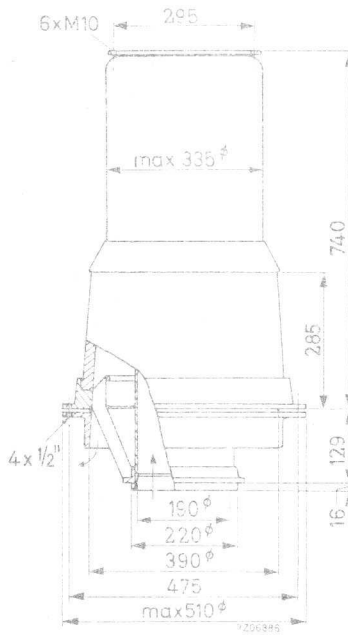
COOLER HOUSING FOR AIR COOLING



COOLER HOUSING FOR AIR COOLING

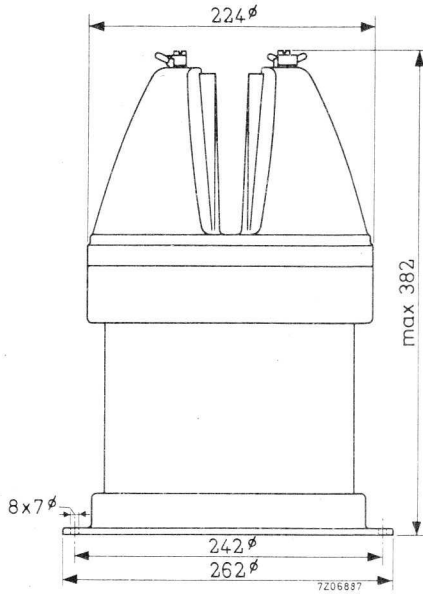


COOLER HOUSING FOR AIR COOLING

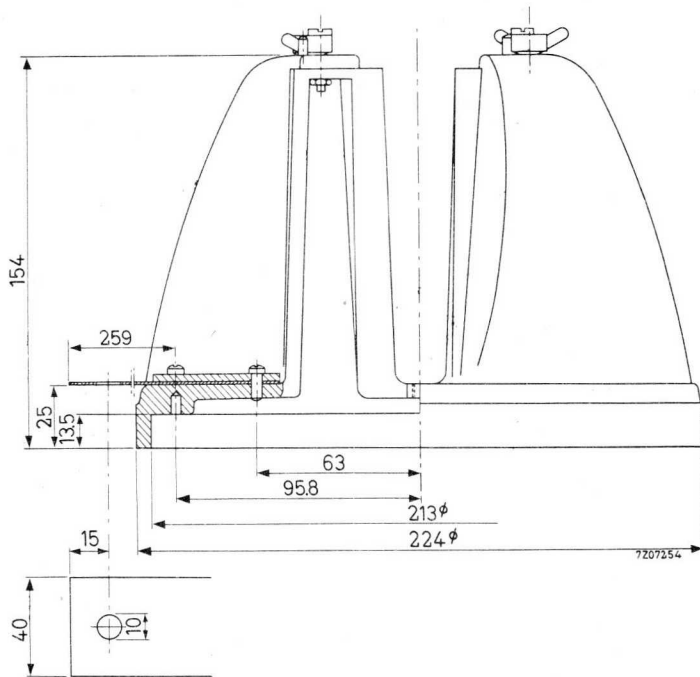


Net weight 72 kg

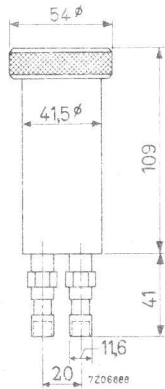
COOLER HOUSING FOR AIR COOLING



Net weight 7.4 kg

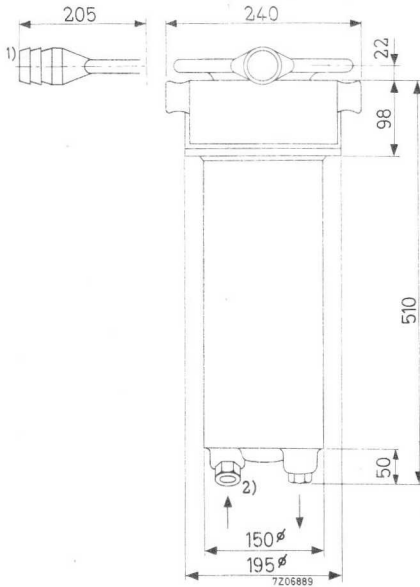
AIR DISTRIBUTOR
UPPER PART OF K508

WATER JACKET



	→	Net mass	0,52	kg
	→	Absolute max. water pressure	6×10^5 Pa	(≈ 6 at)

WATER JACKET

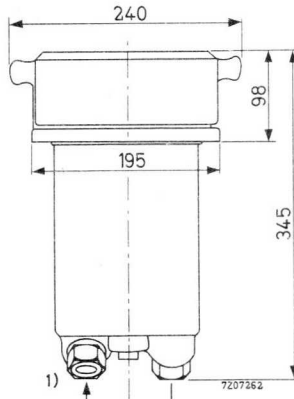


- 1) Use connecting hose with an inner diameter of $1\frac{3}{4}$ "
- 2) Coupling for metal tubing with an outer diameter of 28mm

Net weight 20,5 kg

Absolute max. water pressure 6×10^5 Pa = 6 atm abs

WATER JACKET

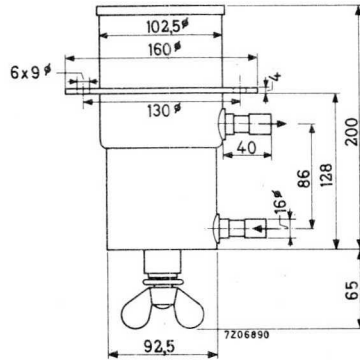


1) coupling for metal tubing with an outer diameter of 28mm



Net weight	16,7	kg
Absolute max. water pressure	6×10^5 Pa = 6	atm abs

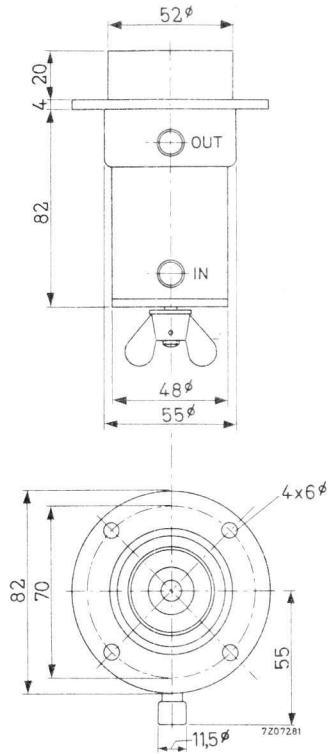
WATER JACKET



Net mass 2,6 kg

Absolute max. water pressure 6×10^5 Pa \approx 6 at

WATER JACKET



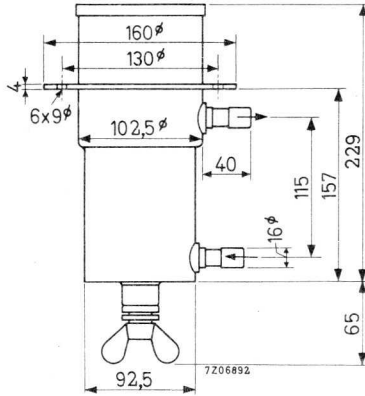
Net weight

0,76 kg

Absolute max. water pressure

 $6 \times 10^5 \text{ Pa} = 6 \text{ atm abs}$

WATER JACKET



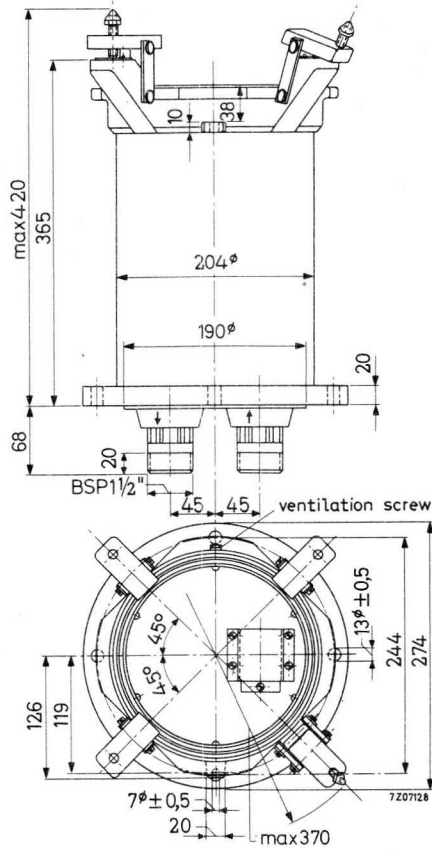
Net weight

2,7 kg

Absolute max. water pressure

$6 \times 10^5 \text{ Pa} = 6 \text{ atm abs}$

WATER JACKET



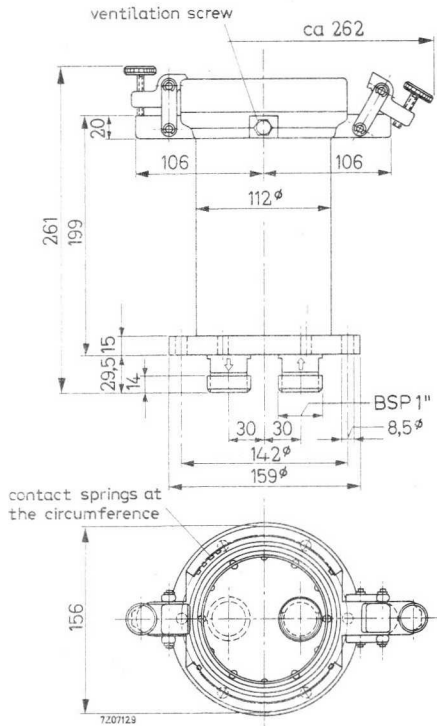
Net weight

30,5 kg

Absolute max. water pressure

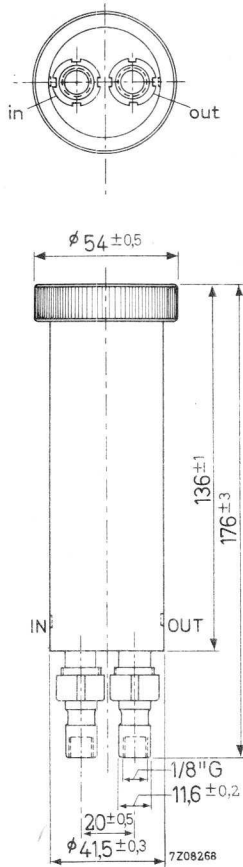
 $6 \times 10^5 \text{ Pa} = 6 \text{ atm abs}$

WATER JACKET



Net weight	5	kg
Absolute max. water pressure	6×10^5 Pa = 6 atm abs	

WATER JACKET



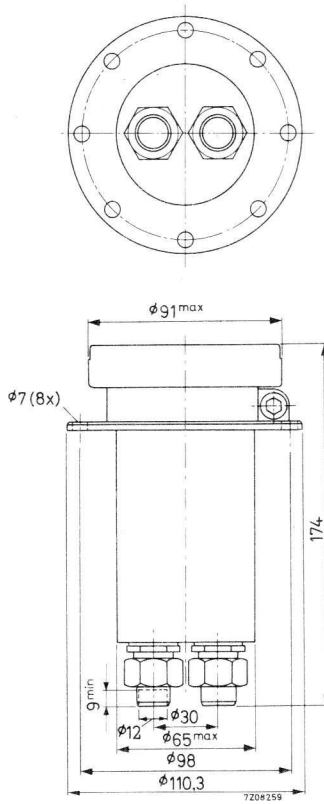
Net weight

kg

Absolute max. water pressure

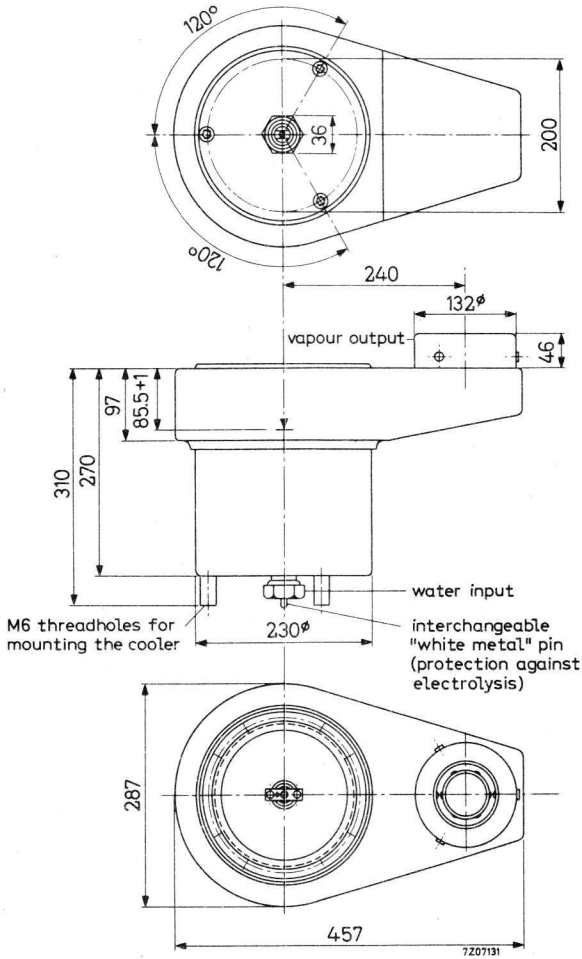
 $6 \times 10^5 \text{ Pa} = 6 \text{ atm abs}$

WATER JACKET



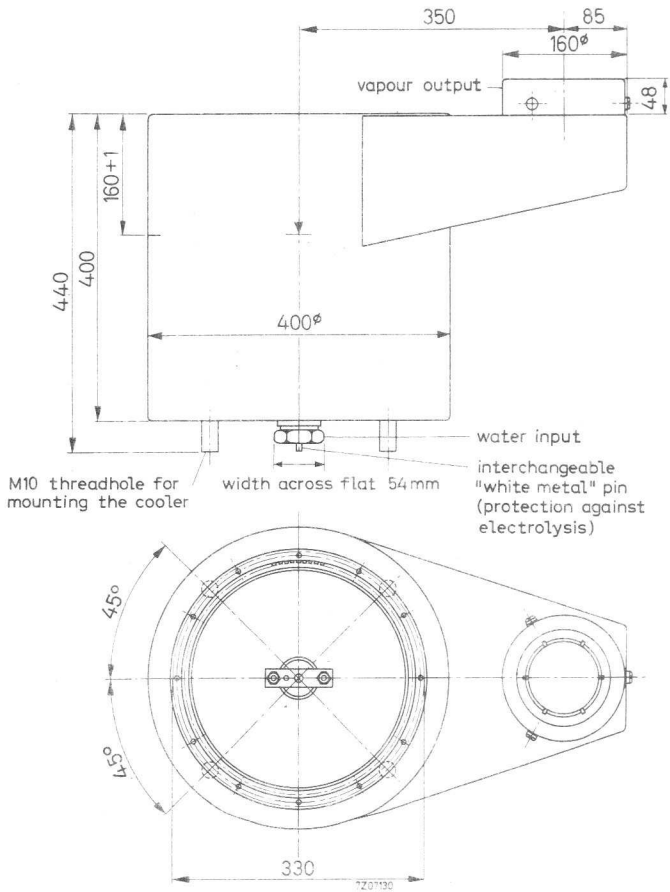
Net weight	2	kg
Absolute max. water pressure	6×10^5 Pa = 6 atm abs	

VAPOUR JACKET



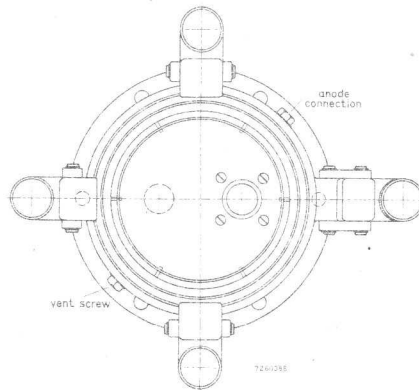
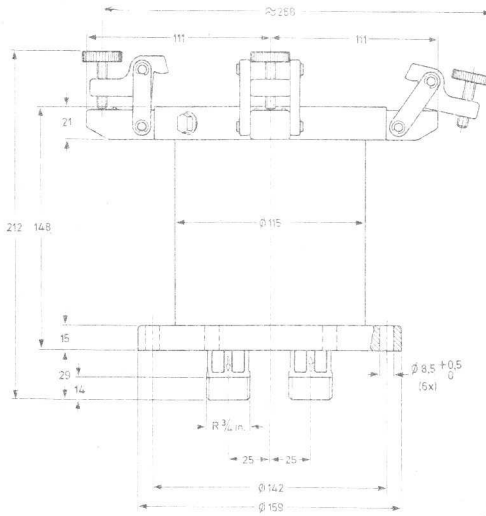
Net weight 8 kg

VAPOUR JACKET



Net weight 22 kg

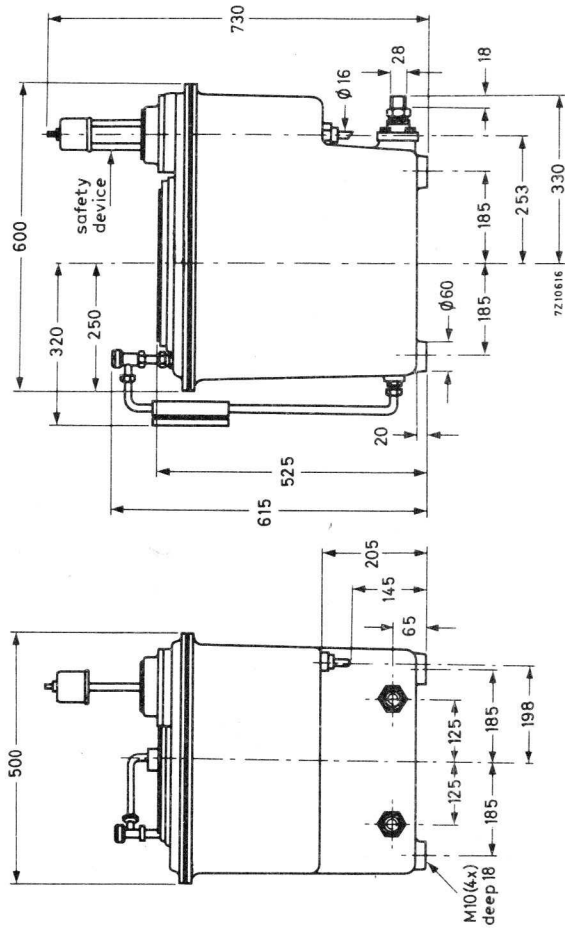
WATER JACKET



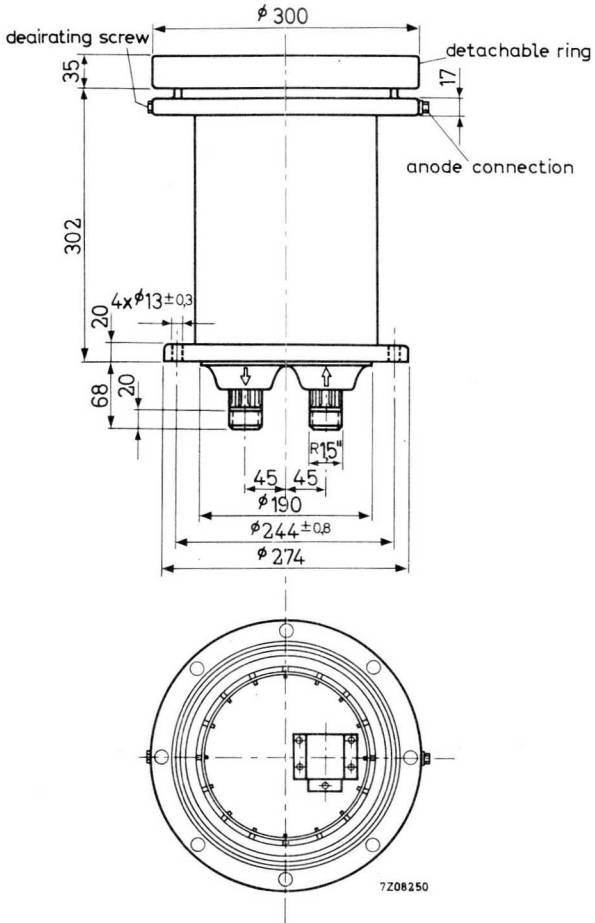
Net weight 6 kg
 Absolute max. water pressure $1,1 \times 10^6 \text{ Pa} = 10 \text{ atm abs}$

K733
K735

BOILER-CONDENSOR



WATER JACKET



Net weight

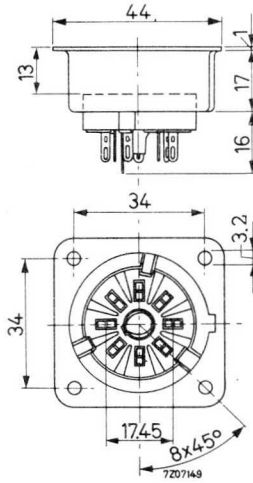
kg

Absolute max. water pressure

 $6 \times 10^5 \text{ Pa} = 6 \text{ atm abs}$

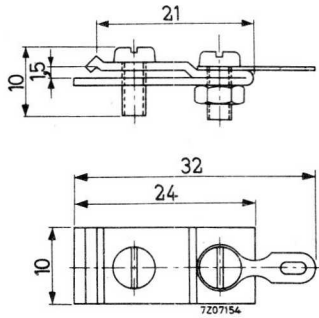
TUBE SOCKET

WITH 8 SPRING CONTACTS AND CENTRAL LOCATING AND LOCKING DEVICE

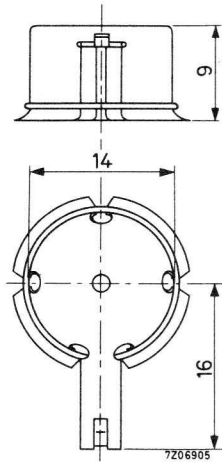


Chassis hole 42 mm



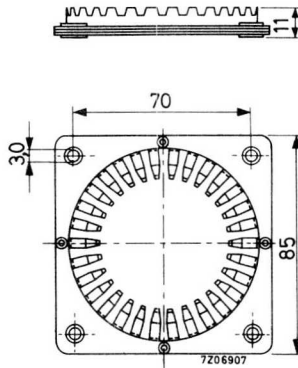
ANODE CONNECTORFOR 1,5 mm \varnothing TERMINALS

Material: brass, silver plated

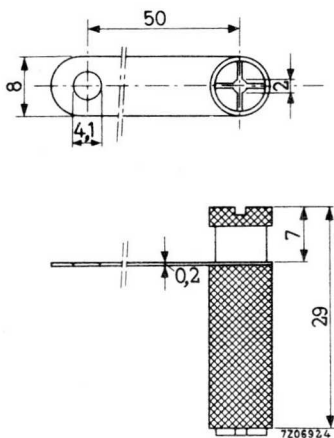
TOP CAP CONNECTORFOR TOP CAPS WITH 14.38 mm \emptyset (IEC 67-III-1b, type 3).

Material: brass, nickel plated



GRID CONNECTORFOR 70 mm \varnothing TERMINALS

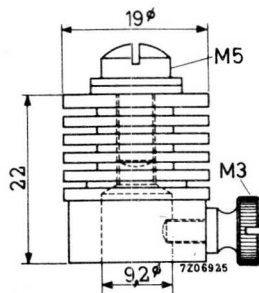
Material: brass, silver plated

ANODE CONNECTORFOR 2 mm \varnothing TERMINALS

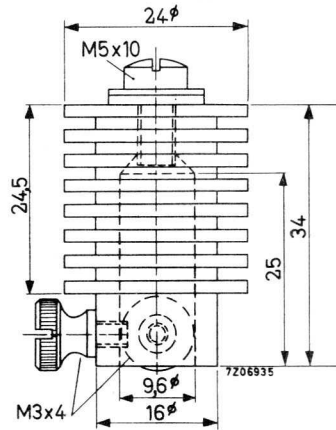
Material: brass, silver plated

ANODE CONNECTOR

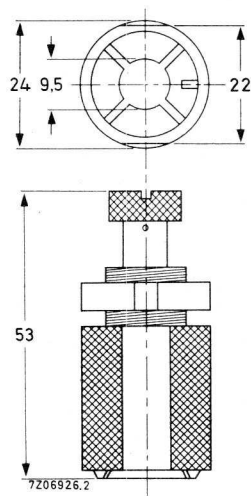
FOR 9 mm ϕ TERMINALS



Material: brass, nickel plated

ANODE CONNECTORFOR 9,5 mm \varnothing TERMINALS

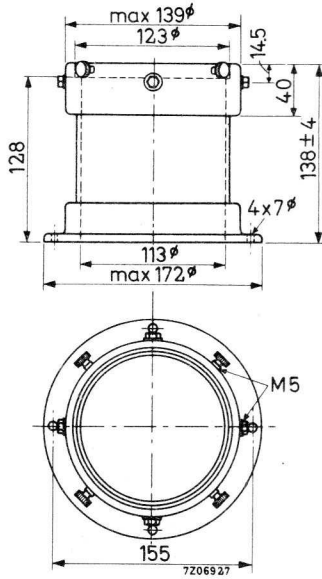
Material: brass, nickel plated

FILAMENT CONNECTORFOR 9,5 mm \emptyset TERMINALS

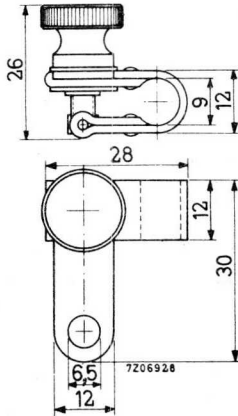
Material: brass, silver plated

40630

INSULATING PEDESTAL



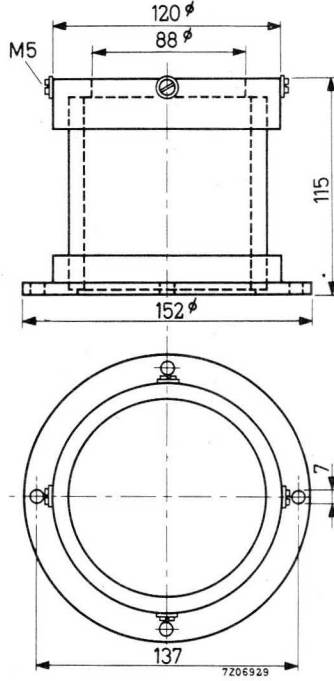
Material: ceramic
Net weight: 2.1 kg

FILAMENT CONNECTORFOR 9,1 mm \varnothing TERMINALS

Material: Brass, nickel plated

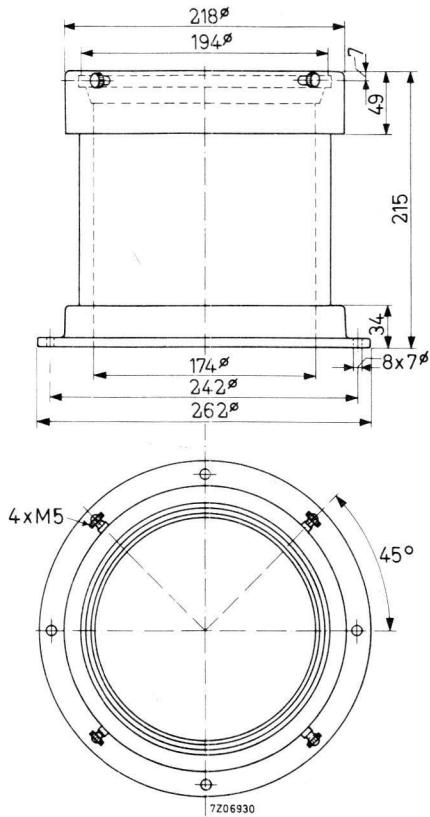


INSULATING PEDESTAL

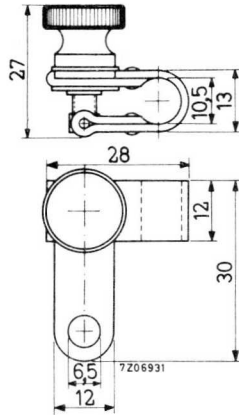


Material: ceramic
Net weight: 1.6 kg

INSULATING PEDESTAL

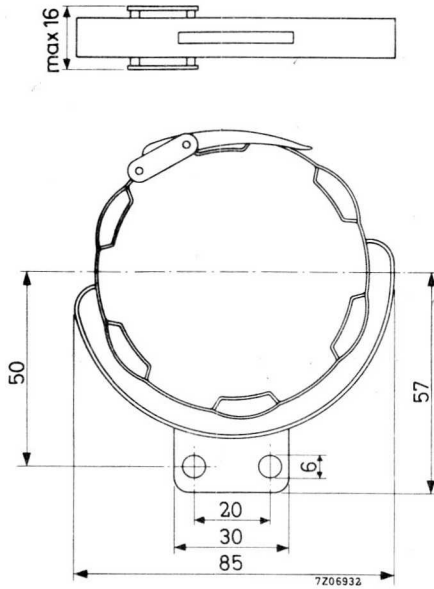


Material: ceramic

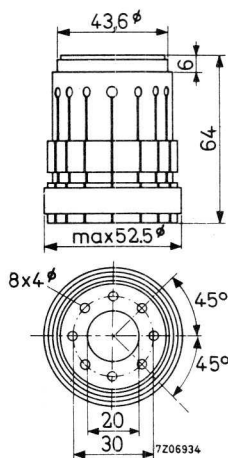
FILAMENT CONNECTORFOR 10,5 mm ϕ TERMINALS

Material: brass, nickel plated



GRID CONNECTORFOR 70 mm ϕ TERMINALS

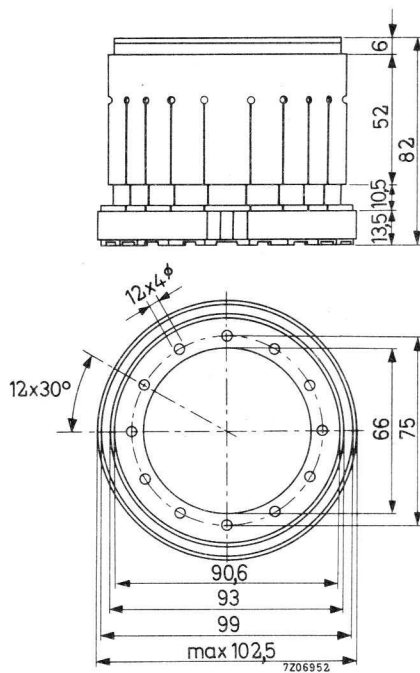
Material: brass, nickel plated

FILAMENT CONNECTORFOR 40,5 mm \varnothing TERMINALS

Material: brass, silver plated

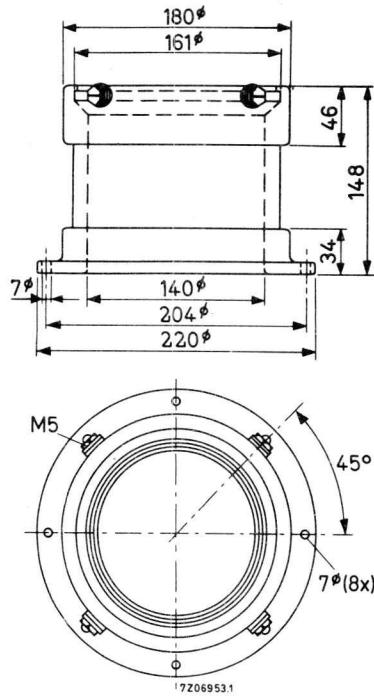


FILAMENT CONNECTOR

FOR 82 mm \varnothing TERMINALS

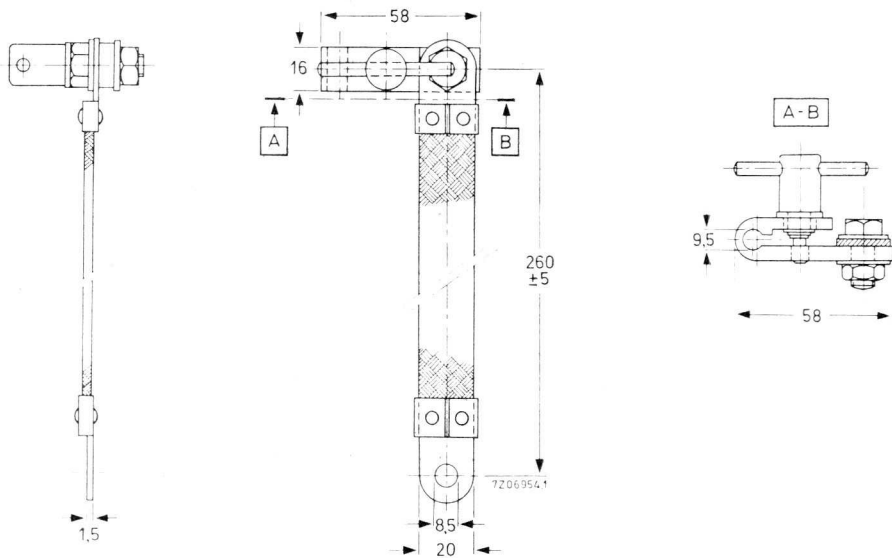
Material: brass, silver plated

INSULATING PEDESTAL

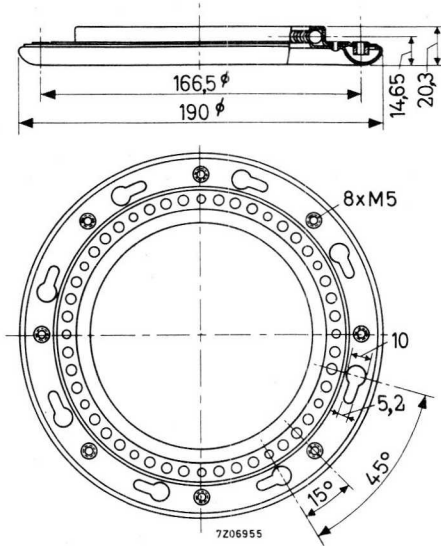


Material: ceramic
Net weight: 4.25 kg

FILAMENT CONNECTOR WITH CABLE



Material: cable - braided copper
connector - brass, nickel plated

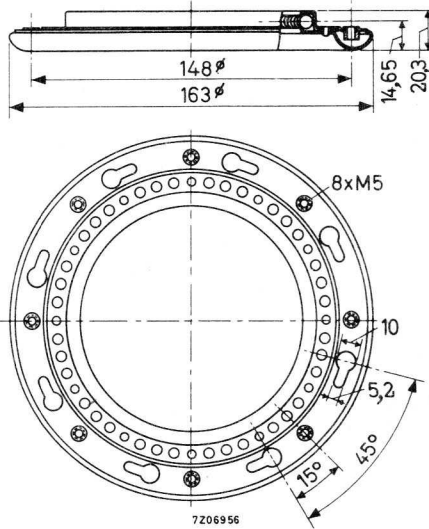
GRID CONNECTORFOR 114 mm ϕ TERMINALS

Material: brass, silver plated



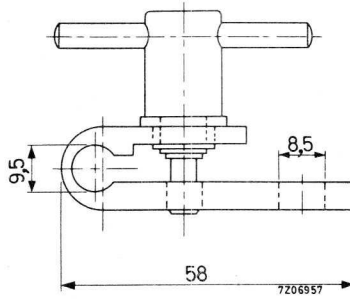
GRID CONNECTOR

FOR 96 mm \varnothing TERMINALS



Material: brass, silver plated



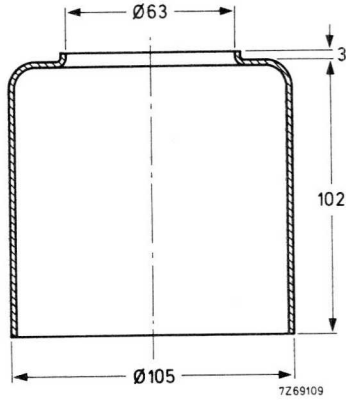
ANODE CONNECTORFOR 9,5 mm \varnothing TERMINALS

Material: brass, nickel plated



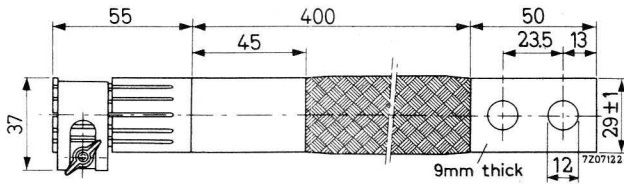
40666

CHIMNEY

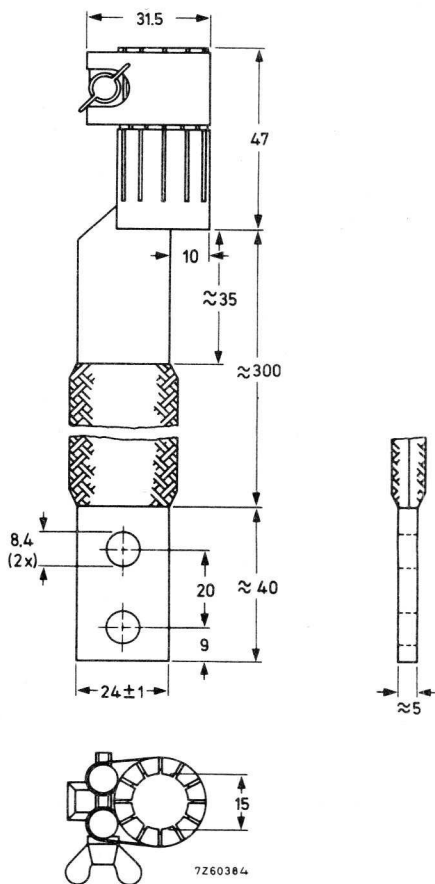


Material : glass

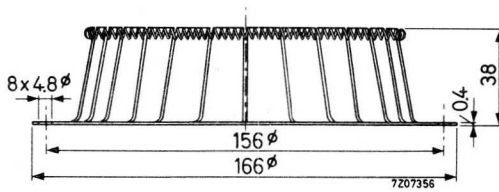
FILAMENT CONNECTOR WITH CABLE



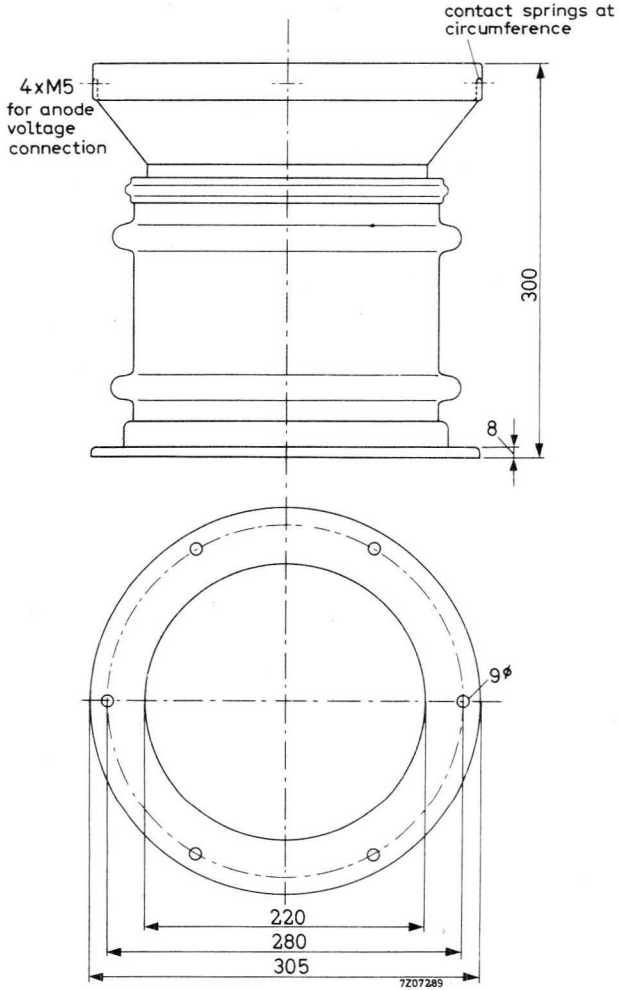
FILAMENT CONNECTOR WITH CABLE



GRID CONNECTOR

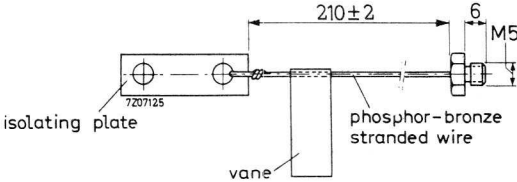


INSULATING PEDESTAL

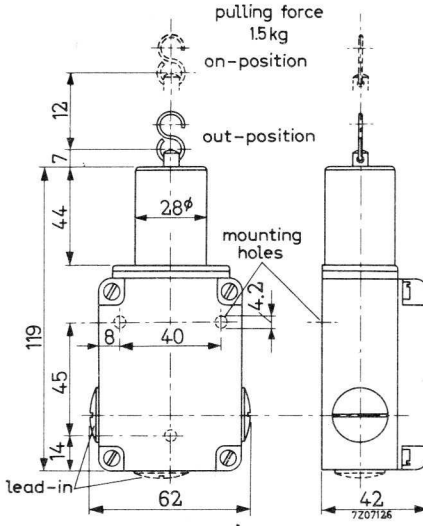


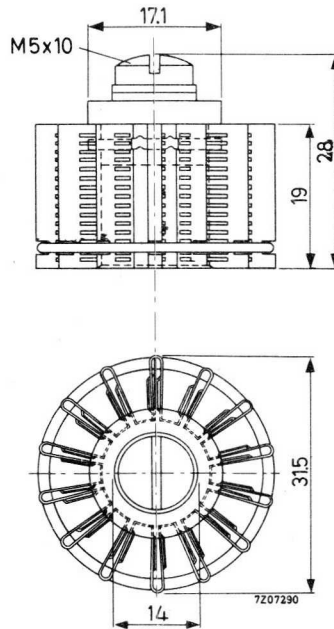
Net weight 9.2 kg

FUSE



PULL SWITCH FOR TUBE CUT-OUT

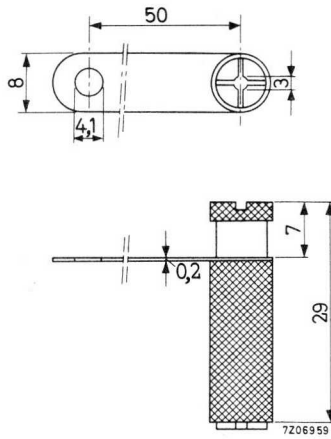


ANODE CONNECTORFOR TOP CAPS WITH 14.38 mm ϕ (IEC67-III-1b, type 3)

Material: brass, nickel plated

ANODE CONNECTOR

FOR 3 mm \varnothing TERMINALS

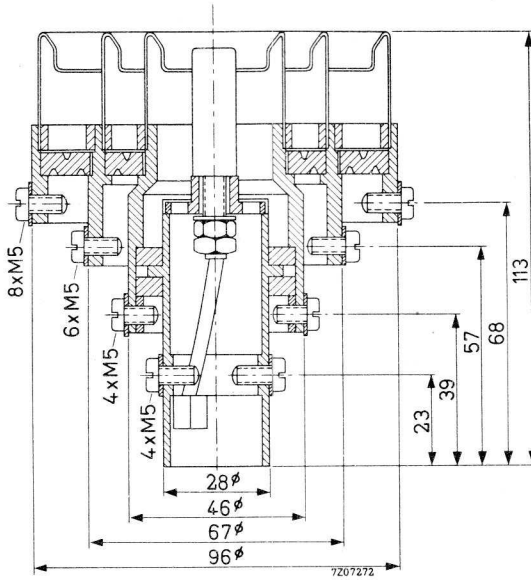


Material: brass, silver plated



TUBE SOCKET

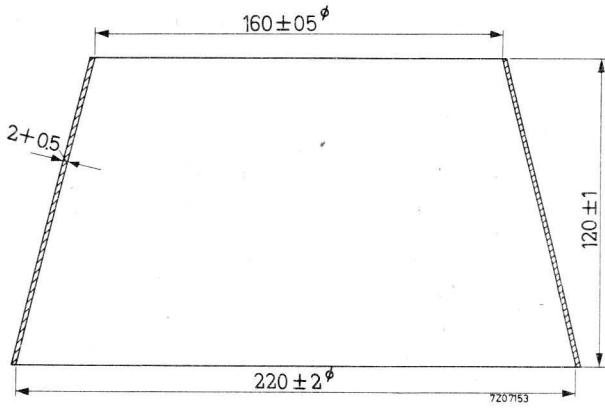
FOR 82 mm, 50 mm, 25,5 mm and 6 mm CONCENTRIC TERMINALS



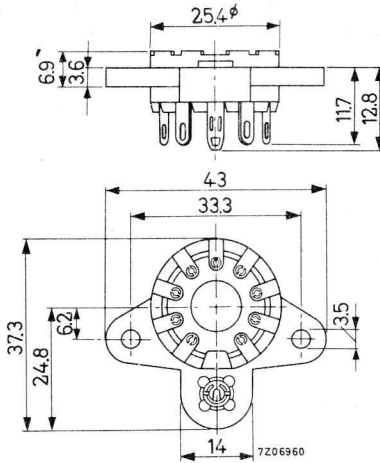
Material: synthetic resin insulating material
nickel plated contacts



CHIMNEY

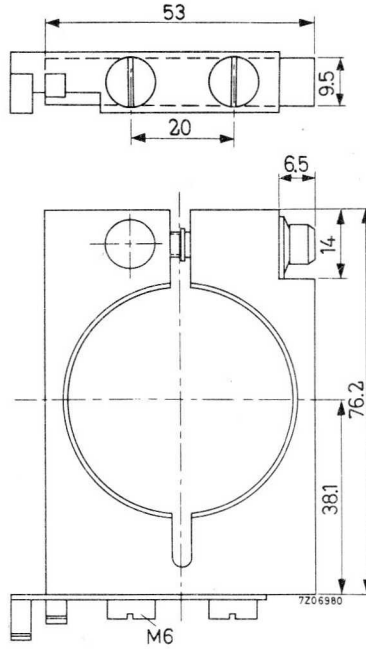


TUBE SOCKET FOR MAGNOVAL BASES



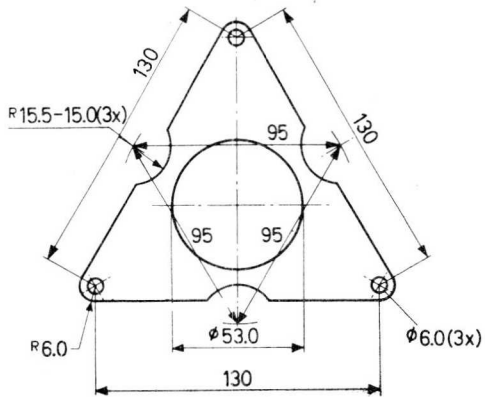
Material: synthetic resin insulating material
9 silver plated cup-shaped contacts



GRID CONNECTORFOR 48 mm ϕ TERMINALS

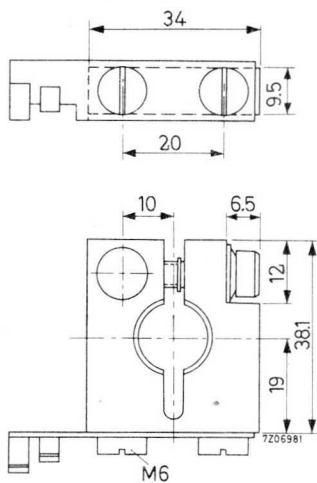
Material: brass, silver plated

GRID CONNECTOR

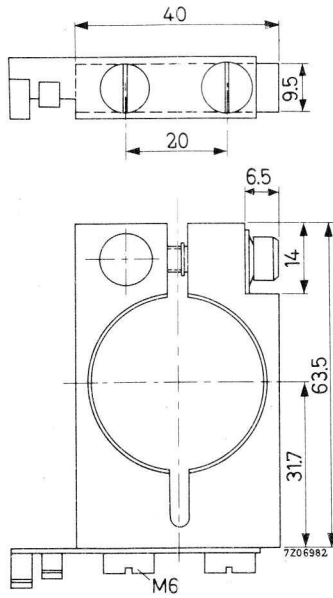


Material: Brass



FILAMENT CONNECTORFOR 14.4 mm ϕ TERMINALS

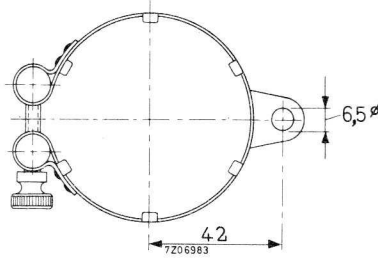
Material: brass, nickel plated

FILAMENT CONNECTORFOR 36 mm ϕ TERMINALS

Material: brass, nickel plated

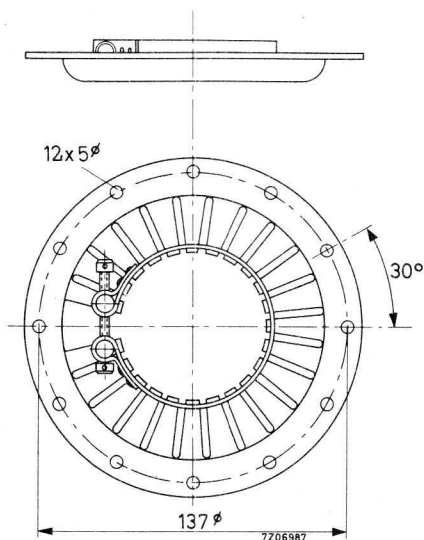
GRID CONNECTOR

FOR 66 mm ϕ TERMINALS



Material: brass, nickel plated
Net weight: 55 g



GRID CONNECTORFOR 66 mm ϕ TERMINALS

Material: brass, silver plated
Net weight: 240 g

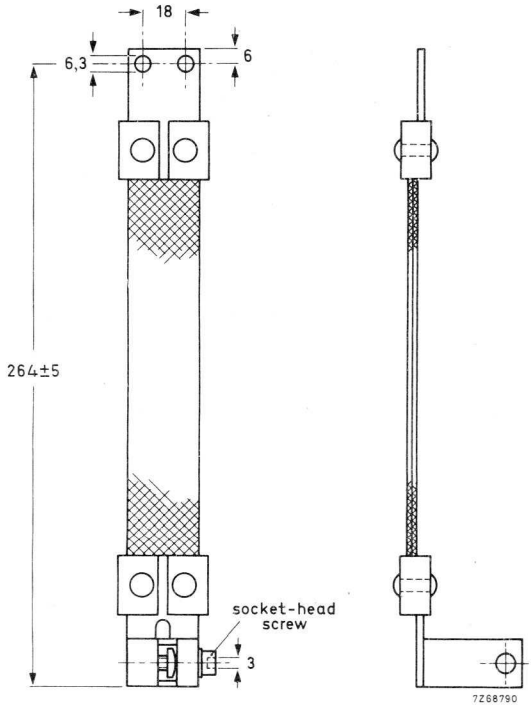
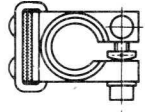


40692

FILAMENT CONNECTOR

FOR 25 mm dia TERMINALS

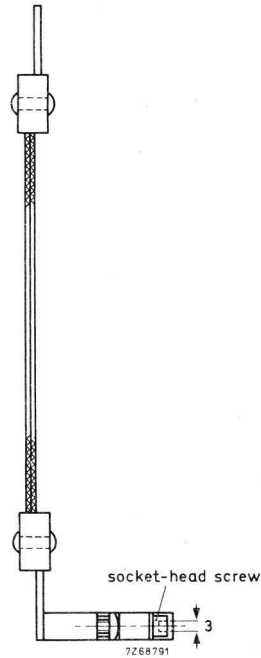
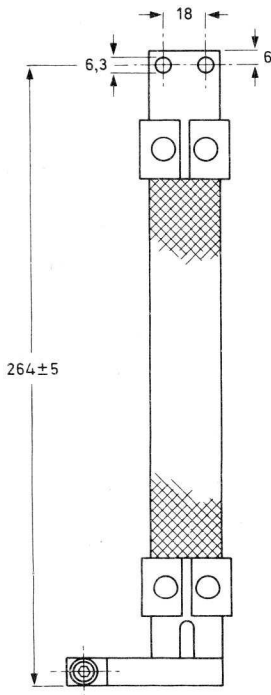
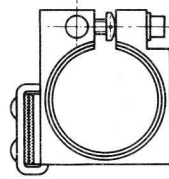
Net weight approx. 450 gr



FILAMENT CONNECTOR

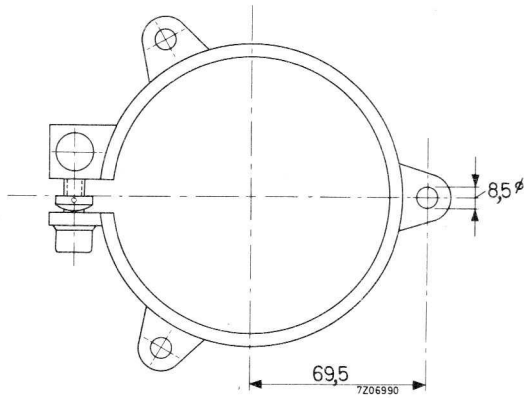
FOR 50 mm dia TERMINALS

Net weight approx. 480 gr



GRID CONNECTOR

FOR 112 mm ϕ TERMINALS



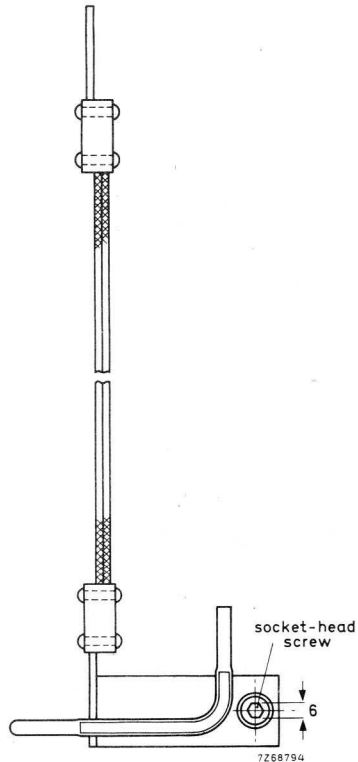
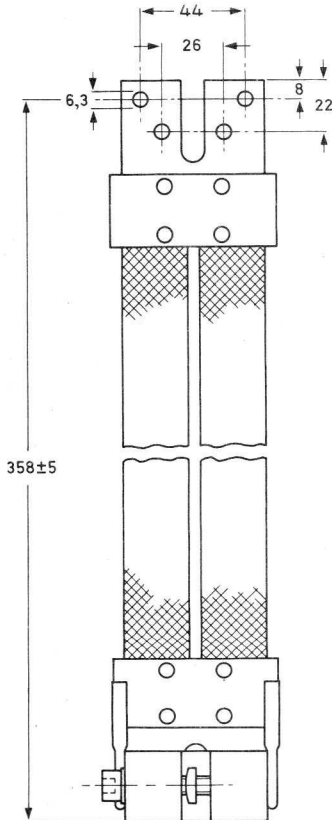
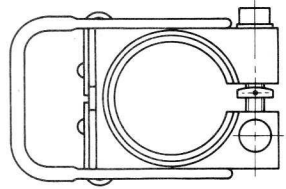
Material: brass, nickel plated
Net weight: 270 g



WATER COOLED FILAMENT CONNECTOR

FOR 54 mm dia TERMINALS

Net weight approx. 1380 gr

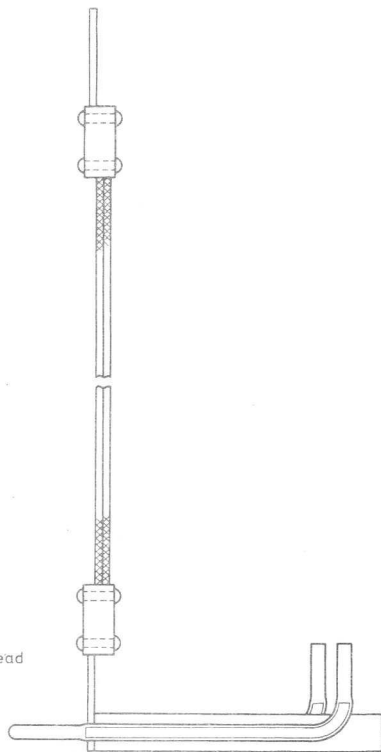
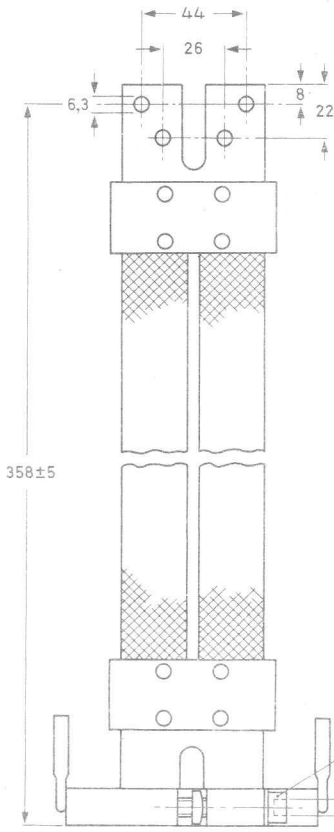
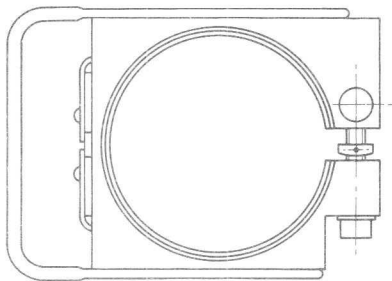


40696

WATER COOLED FILAMENT CONNECTOR

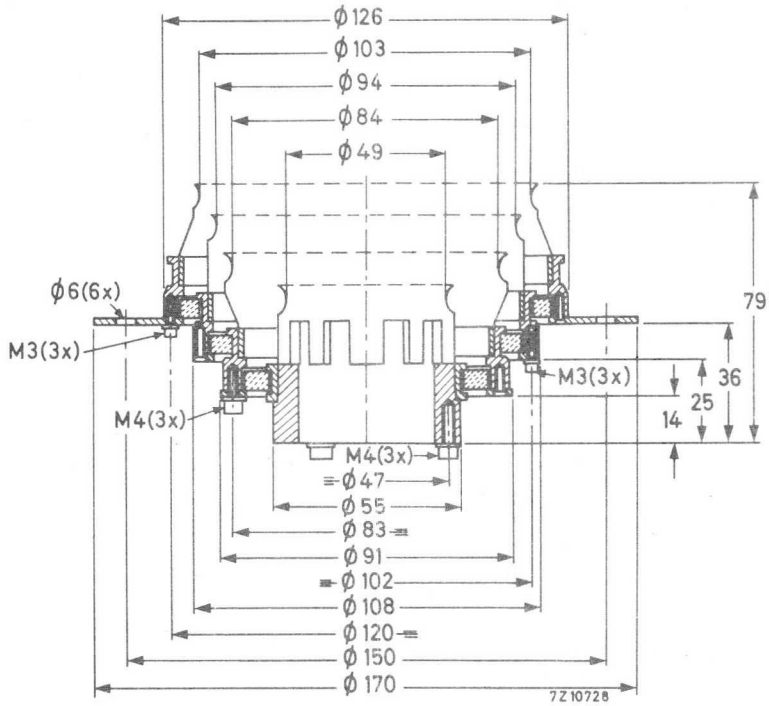
FOR 96 mm dia TERMINALS

Net weight approx. 1550 gr



7268795

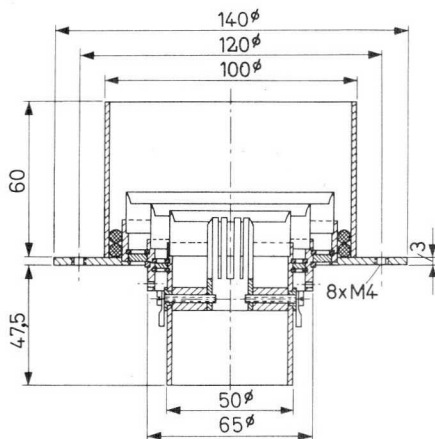
TUBE SOCKET FOR COAXIAL TUBES



Material: teflon insulating material
 silver plated contact springs

TUBE SOCKET FOR COAXIAL TETRODES

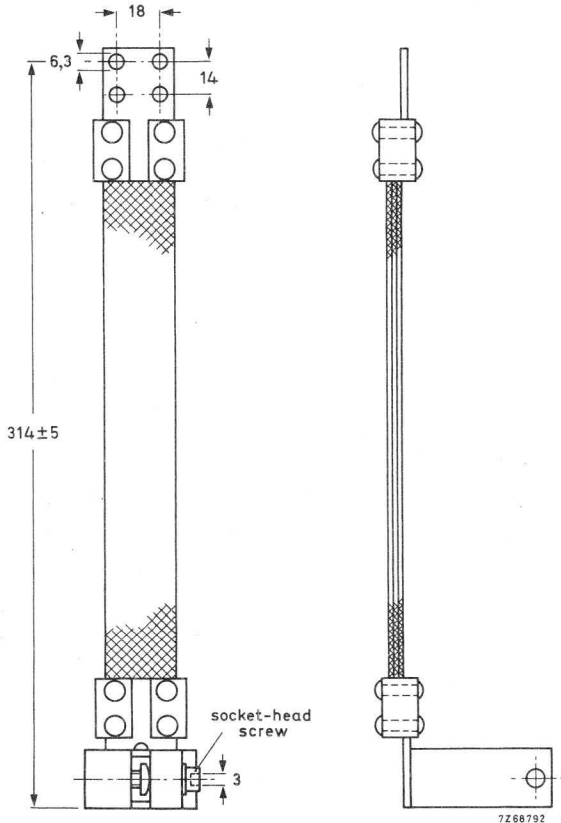
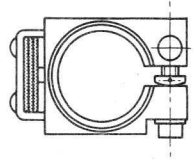
FOR 76,5 mm, 58,6 mm, 43,4 mm and 18,4 mm CONCENTRIC TERMINALS



FILAMENT CONNECTOR

FOR 42 mm dia TERMINALS

Net weight approx. 700 gr

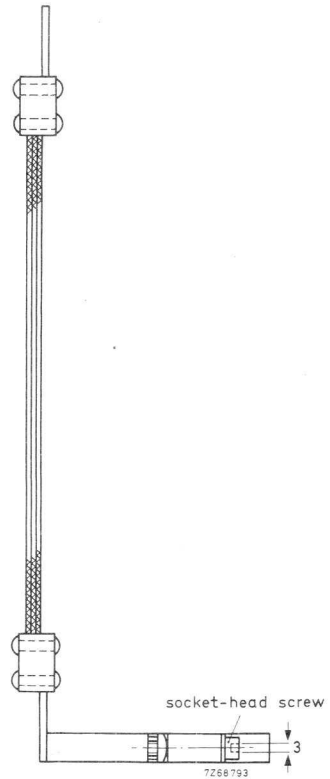
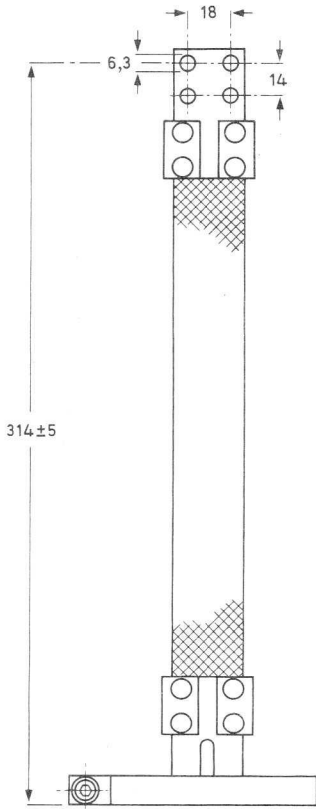
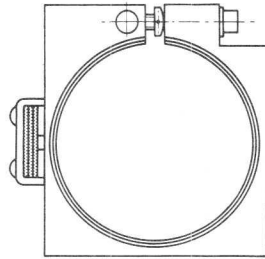


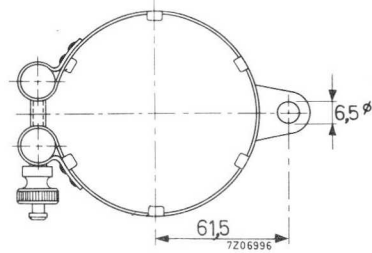
40706

FILAMENT CONNECTOR

FOR 86 mm dia TERMINALS

Net weight approx. 830 gr



GRID CONNECTORFOR 105 mm ϕ TERMINALS

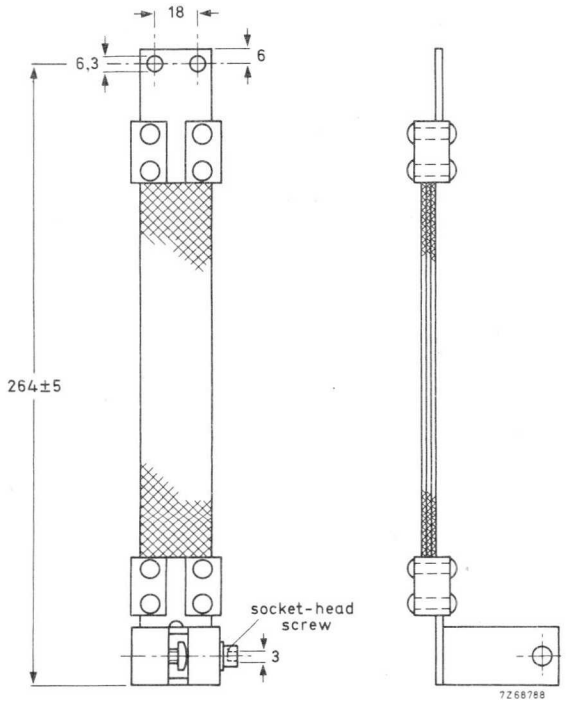
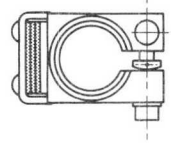
Material: brass, nickel plated

40708

FILAMENT CONNECTOR

FOR 32 mm dia TERMINALS

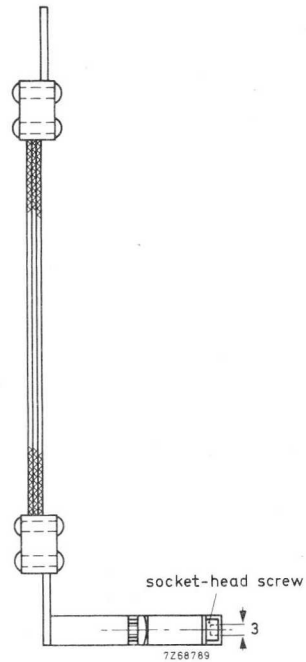
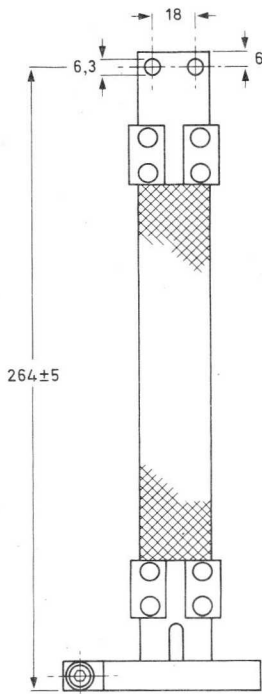
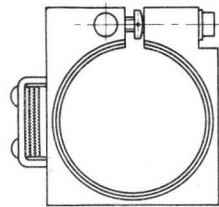
Net weight approx. 600 gr



FILAMENT CONNECTOR

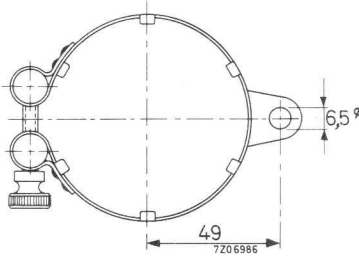
FOR 66 mm dia TERMINALS

Net weight approx. 640 gr



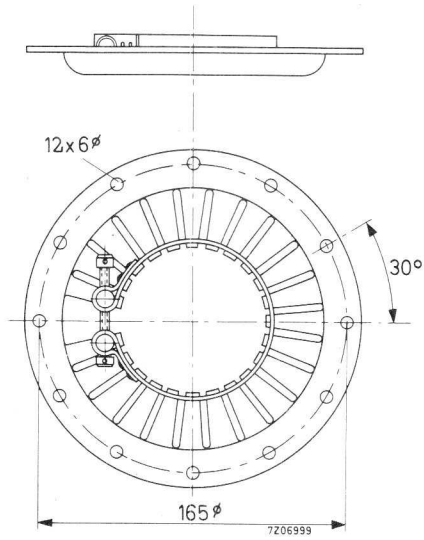
GRID CONNECTOR

FOR 80 mm ϕ TERMINALS



Material: brass, nickel plated
Net weight: 60 g



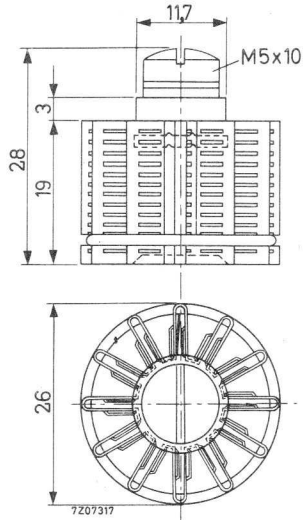
GRID CONNECTORFOR 80 mm ϕ TERMINALS

Material: brass, silver plated
Net weight: 310 g



ANODE CONNECTOR

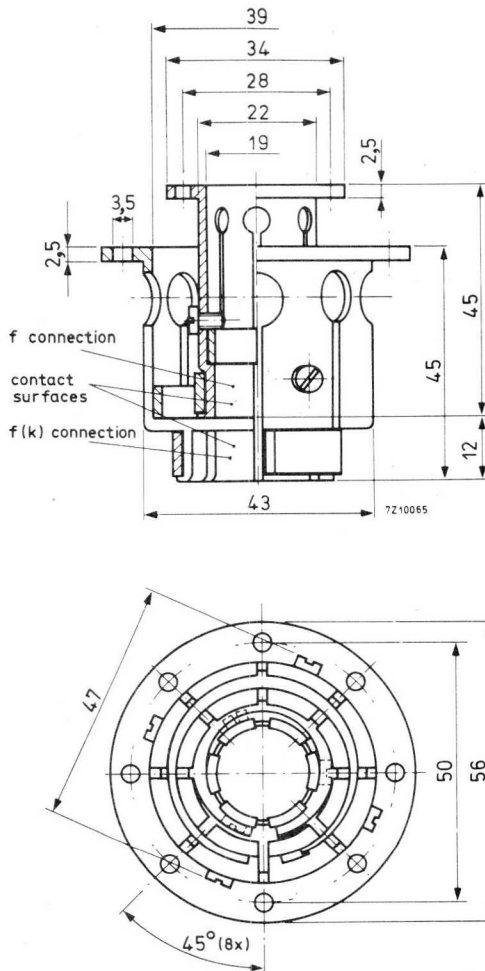
FOR TOP CAPS WITH 9,14 mm ϕ (IEC67-III-1b, type 2)



Material: copper, nickel plated

FILAMENT CONNECTOR

FOR 27 mm and 17 mm CONCENTRIC TERMINALS

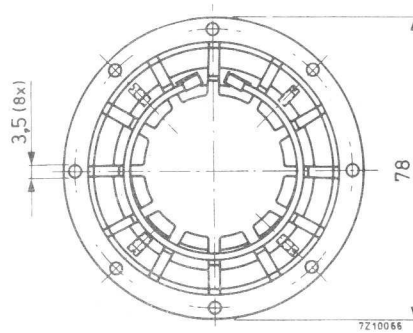
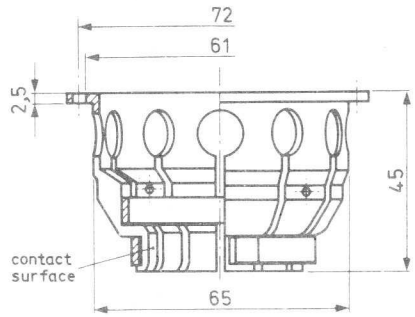


Net weight: approx. 0,2 kg

40722

GRID CONNECTOR

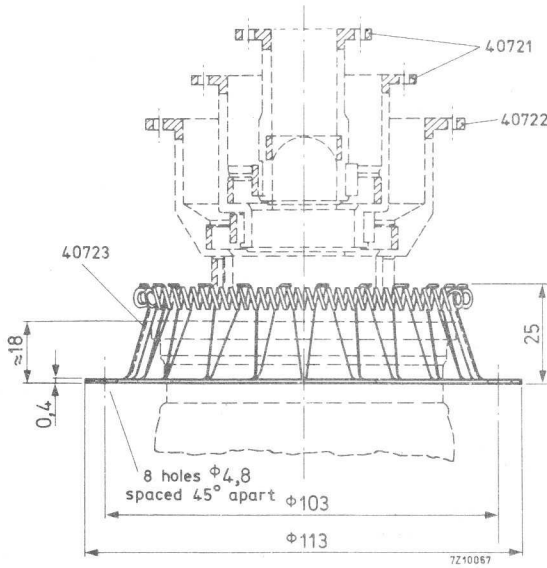
FOR 37 mm \varnothing TERMINALS



Net weight: approx. 0,2 kg

SCREEN GRID CONNECTOR

FOR 79 mm \varnothing TERMINALS

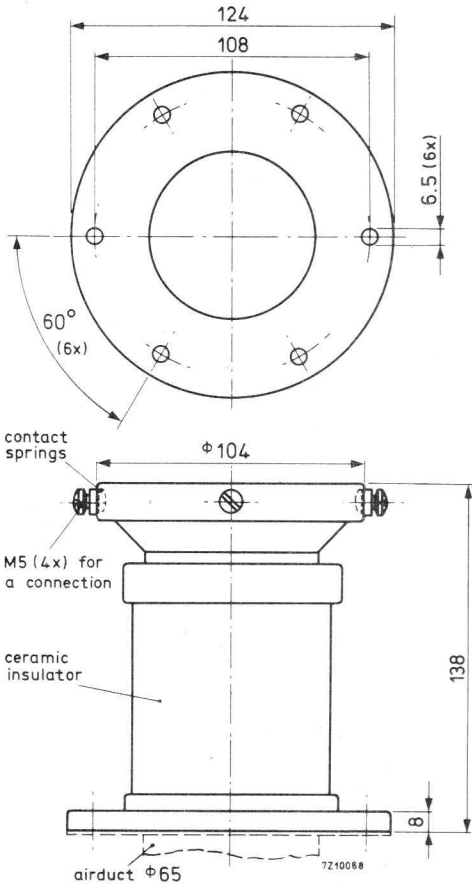


Net weight: approx. 0,1 kg

Caution

The tube must never be pulled through the spring ring.
So, if it has to be inserted from above, this should be done first, before the screen grid connection is made. Similarly, the tube can only be taken out after the screen grid connector has been removed.

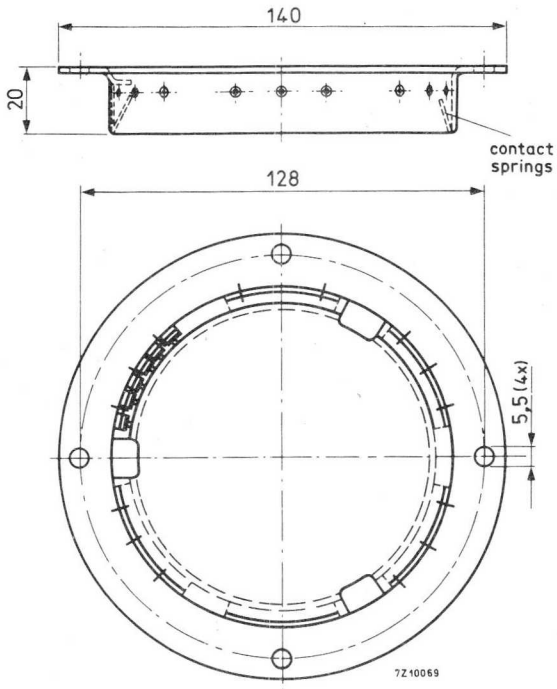
INSULATING PEDESTAL



Net weight: approx. 1.3 kg

GRID CONNECTOR

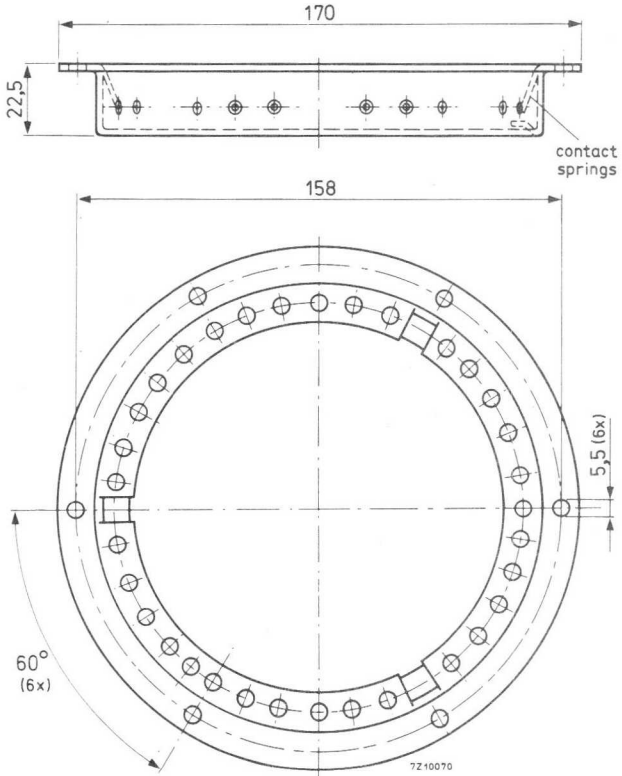
FOR 100 mm \varnothing TERMINALS



Net weight: approx. 0,14 kg

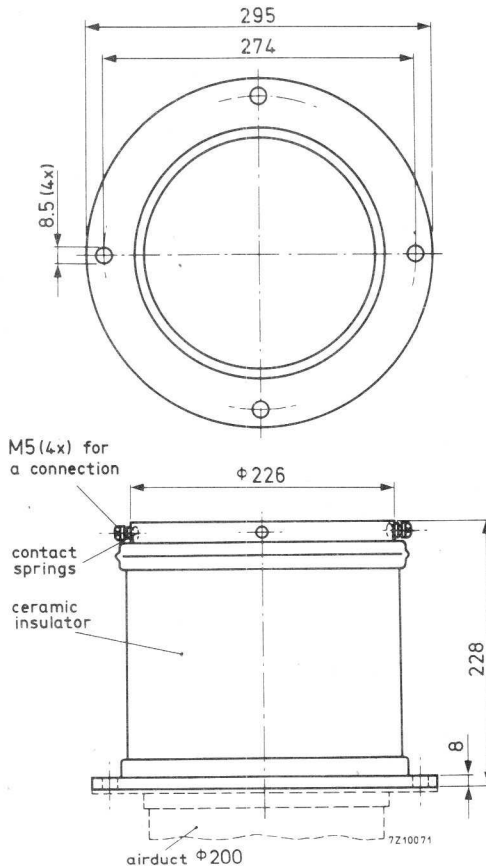
SCREEN GRID CONNECTOR

FOR 134 mm \varnothing TERMINALS



Net weight: approx. 0,2 kg

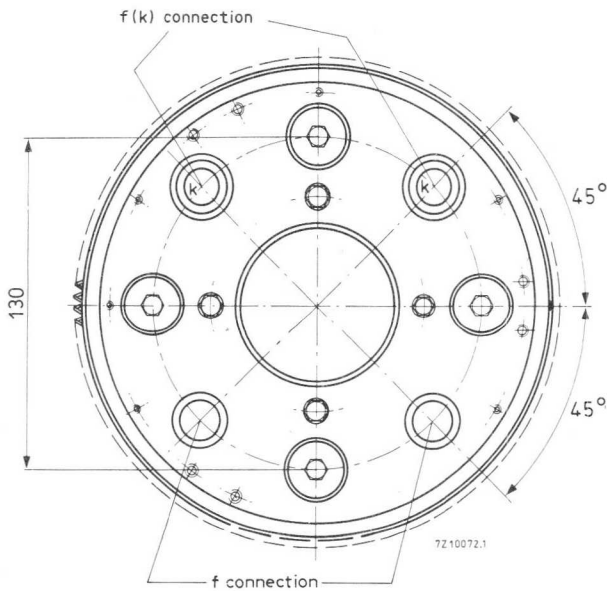
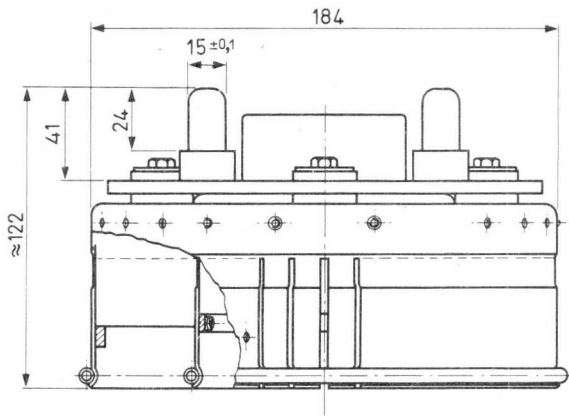
INSULATING PEDESTAL



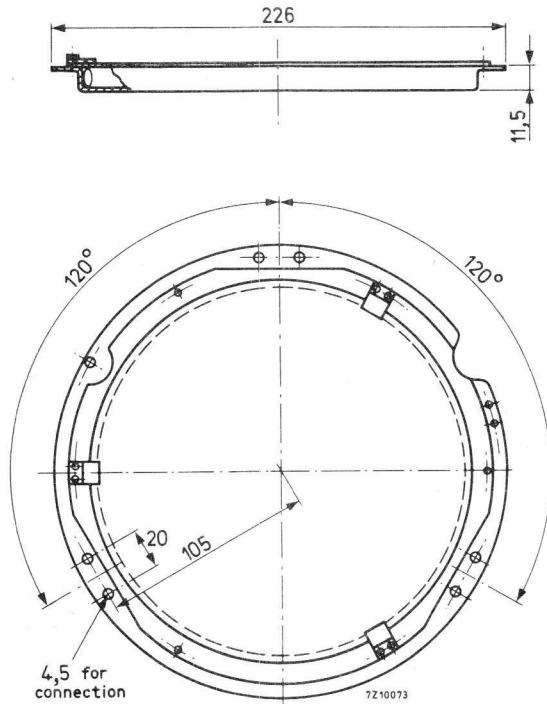
Net weight: approx. 8.2 kg

FILAMENT CONNECTOR

FOR 96 mm AND 40 mm CONCENTRIC TERMINALS



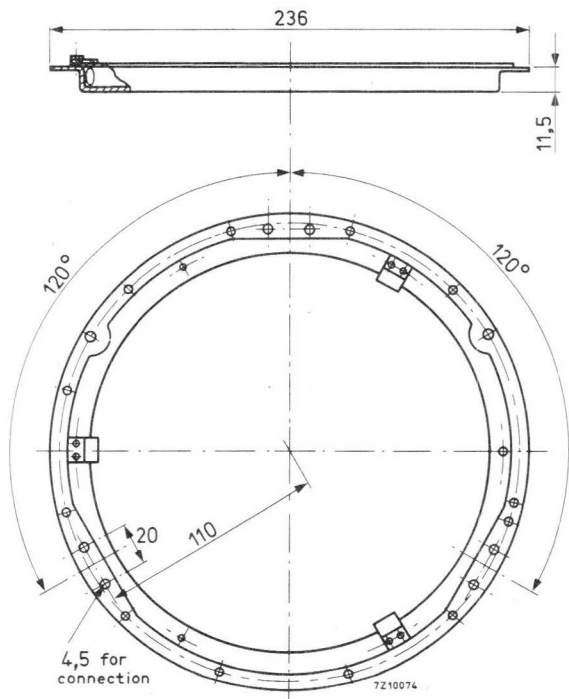
Net weight: approx. 2,5 kg

GRID CONNECTORFOR 185 mm \varnothing TERMINALS

Net weight: approx. 0,35 kg

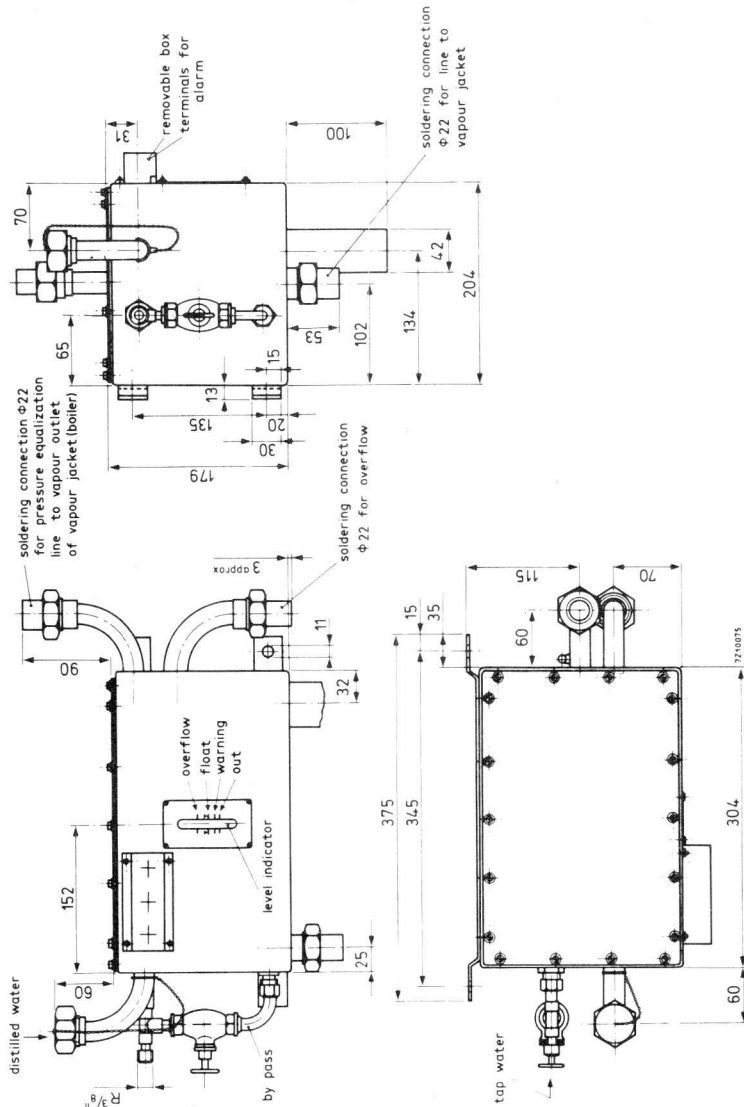
SCREEN GRID CONNECTOR

FOR 193,2 mm \varnothing TERMINALS



Net weight: approx. 0,4 kg

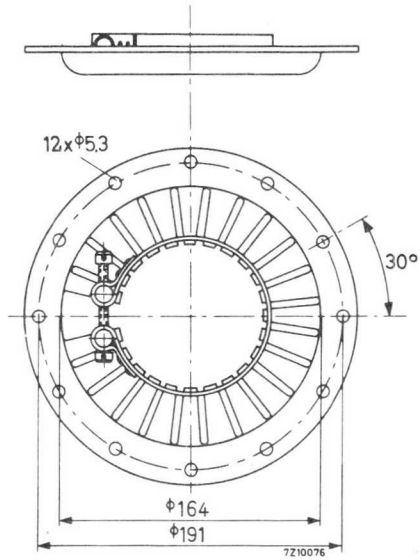
WATER LEVEL CONTROL



Material: Copper
 Net weight: approx. 8.5 kg

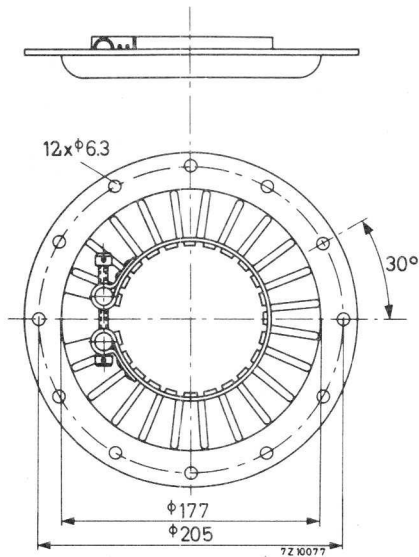
GRID CONNECTOR

FOR 105 mm ϕ TERMINALS



Material: brass, silver plated

Net weight: 450 g

GRID CONNECTORFOR 112 mm ϕ TERMINALS

Material: brass, silver plated
Net weight: 525 g

Index



INDEX OF TYPE NUMBERS

Type No.	Section	Type No.	Section	Type No.	Section
K503	Acc	YD1150	Tran	YD1334	Tran
K504	Acc	YD1151	Tran	YD1335	Tran
K506	Acc	YD1152	Tran	YD1336	Tran
K508	Acc	YD1160	Tran	YD1342	Tran
K509	Acc	YD1161	Tran	YD1343	Tran
K713	Acc	YD1162	Tran	YD1352S	Tran
K714	Acc	YD1170	Tran	YL1000	Tran
K715	Acc	YD1172	Tran	YL1010	Tran
K717	Acc	YD1173	Tran	YL1011	Tran
K720	Acc	YD1175	Tran	YL1012	Tran
K721	Acc	YD1177	Tran	YL1020	Tran
K722	Acc	YD1180	Tran	YL1030	Tran
K723	Acc	YD1182	Tran	YL1060	Tran
K724	Acc	YD1185	Tran	YL1070	Tran
K726	Acc	YD1187	Tran	YL1071	Tran
K727	Acc	YD1192	Tran	YL1080	Tran
K728	Acc	YD1193	Tran	YL1091	Tran
K729	Acc	YD1195	Tran	YL1100	Tran
K732	Acc	YD1197	Tran	YL1101	Tran
K733	Acc	YD1202	Tran	YL1110	Tran
K734	Acc	YD1203	Tran	YL1120	Tran
K735	Acc	YD1204	Tran	YL1121	Tran
YD1000	Tran	YD1212	Tran	YL1130	Tran
YD1001	Tran	YD1213	Tran	YL1150	Tran
YD1002	Tran	YD1240	Tran	YL1181	Tran
YD1010	Tran	YD1300	Tran	YL1182	Tran
YD1012	Tran	YD1302	Tran	YL1190	Tran
YD1130	Tran	YD1303	Tran	YL1200	Tran
YD1140	Tran	YD1330	Tran	YL1210	Tran
YD1141	Tran	YD1333	Tran	YL1220	Tran

Acc = Accessories.

Tran = Transmitting tubes for communication; tubes for r. f. heating.

INDEX

Type No.	Section	Type No.	Section	Type No.	Section
YL1231	Tran	8505	See YL1250	40615	Acc
YL1240	Tran	8552	See YL1371	40619	Acc
YL1250	Tran	8560	See YL1320	40622	Acc
YL1320	Tran	8577	See YL1220	40623	Acc
YL1340	Tran	8579	See YL1150	40624	Acc
YL1341	Tran	8589	See YL1190	40626	Acc
YL1360	Tran	8621	Tran	40628	Acc
YL1370	Tran	8654	See YL1231	40630	Acc
YL1371	Tran	8666	See YD1170	40634	Acc
YL1372	Tran			40635	Acc
YL1420	Tran	8668	See YD1172	40648	Acc
YL1430	Tran	8680	See YD1212	40649	Acc
YL1440	Tran	8683	See YL1360	40650	Acc
YL1460	Tran	8728	See YD1150	40651	Acc
YL1461	Tran			40652	Acc
YL1470	Tran	8729	See YD1151	40653	Acc
YL1520	Tran	8730	See YD1152	40654	Acc
6146B	See YL1370	8731	See YD1160	40662	Acc
6159B	See YL1372	8732	See YD1161	40663	Acc
6816	See YL1101	8733	See YD1162	40664	Acc
6883B	See YL1371	8734	See YD1173	40665	Acc
7609	Tran	8735	See YD1182	40666	Acc
7650	See YL1110	8736	See YD1192	40667	Acc
7854	See YL1060	8752	See YD1202	40670	Acc
8032A	See YL1371			40671	Acc
8116	See YL1071	8801	See YD1180	40672	Acc
8117	See YL1071	8812	See YL1420	40675	Acc
8118	See YL1020	8813	See YL1430	40679	Acc
8163	See YD1130	8814	See YL1440	40680	Acc
8298A	See YL1370	8867	See YD1352S	40681	Acc
8321	See YL1340	8888	See YL1470	40682	Acc
8322	See YL1341	8913	See YD1195	40683	Acc
8348	See YL1080	8915	See YL1520	40685	Acc
8408	See YL1130	8918	See YD1342	40686	Acc
8429	See YL1120	8935	See YD1185	40687	Acc
8438	See YL1461	8936	See YD1187	40688	Acc
8438A	See YL1461	8937	See YD1197	40689	Acc
8457	See YL1210	8952	See YD1175	40690	Acc
8458	See YL1420	8958	See YD1177	40691	Acc
8463	See YL1000	40210/01	Acc	40692	Acc

Acc = Accessories.

Tran = Transmitting tubes for communication; tubes for r. f. heating.

Type No.	Section	Type No.	Section	Type No.	Section
40693	Acc	40746	Amp		
40694	Acc	40747	Amp		
40695	Acc	40748	Amp		
40696	Acc	40755	Amp		
40699	Acc	40756	Amp		
40704	Acc	40757	Amp		
40705	Acc	40758	Amp		
40706	Acc	40759	Amp		
40707	Acc	40760	Amp		
40708	Acc	40768	Amp		
40709	Acc	40775	Amp		
40710	Acc				
40711	Acc				
40712	Acc				
40721	Acc				
40722	Acc				
40723	Acc				
40724	Acc				
40727	Acc				
40728	Acc				
40729	Acc				
40732	Acc				
40733	Acc				
40734	Acc				
40735	Acc				
40736	Acc				
40737	Acc				
40743	Amp				
40744	Amp				
40745	Amp				

Acc = Accessories,
 Amp = Amplifier circuit assemblies.



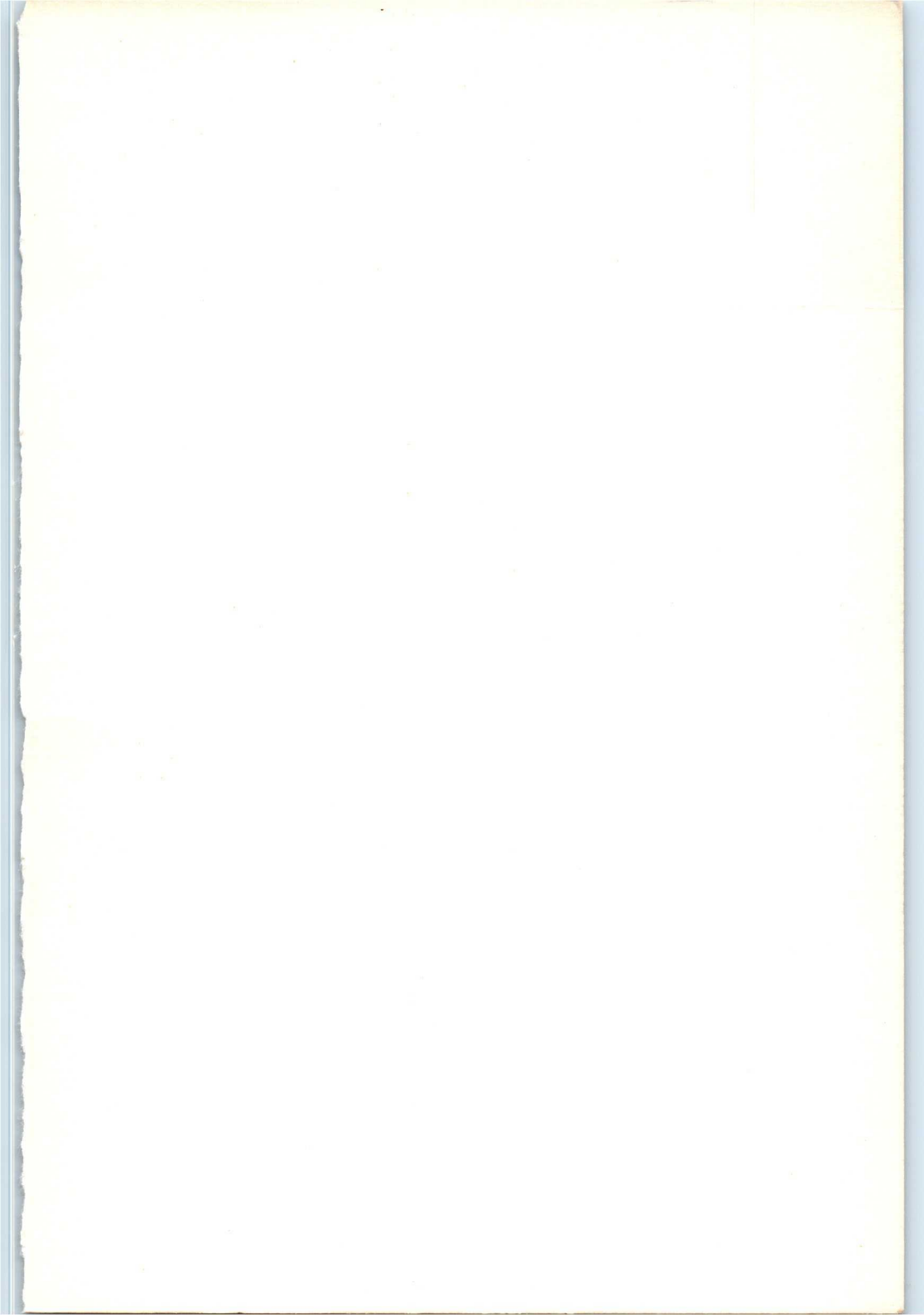
General section

Transmitting tubes for communication
Tubes for r.f. heating

Amplifier circuit assemblies

Associated accessories

Index



Electronic components and materials for professional, industrial and consumer uses from a world-wide Group of Companies

- Argentina:** FAPESA I.y.C., Av. Crovara 2550, Tel. 652-7438/7478, BUENOS AIRES.
- Australia:** Philips Industries Ltd., Elcoma Division, 67 Mars Road, Tel. 42 1261, LANE COVE, 2066, N.S.W.
- Austria:** Österreichische Philips, Bauelemente Industrie G.m.b.H., Zieglergasse 6, Tel. 93 26 11, A-1072 WIEN.
- Belgium:** M.B.L.E., 80, rue des Deux Gares, Tel. 523 00 00, B-1070 BRUXELLES.
- Brazil:** IBRAPE S.A., Av. Paulista 2073-S/Loja, Tel. 278-7144, SAO PAULO, SP.
- Canada:** Philips Electron Devices, 116 Vanderhoof Ave., Tel. 425-5161, TORONTO 17, Ontario.
- Chile:** Philips Chilena S.A., Av. Santa Maria 0760, Tel. 39-40 01, SANTIAGO.
- Colombia:** SADAPE S.A., Calle 19, No. 5-51, Tel. 422-175, BOGOTA D.E. 1.
- Denmark:** Miniwatt A/S, Emdrupvej 115A, Tel. (01) 69 16 22, DK-2400 KØBENHAVN NV.
- Finland:** Oy Philips Ab, Elcoma Division, Kaivokatu 8, Tel. 1 72 71, SF-00100 HELSINKI 10.
- France:** R.T.C., La Radiotechnique-Compelec, 130 Avenue Ledru Rollin, Tel. 355-44-99, F-75540 PARIS 11.
- Germany:** Valvo, U.B. Bauelemente der Philips G.m.b.H., Valvo Haus, Burchardstrasse 19, Tel. (040) 3296-1, D-2 HAMBURG 1.
- Greece:** Philips S.A. Hellénique, Elcoma Division, 52, Av. Syngrou, Tel. 915 311, ATHENS.
- Hong Kong:** Philips Hong Kong Ltd., Components Dept., 11th Fl., Din Wai Ind. Bldg., 49 Hoi Yuen Rd, Tel. K-42 72 32, KWUNTONG.
- India:** INBELEC Div. of Philips India Ltd., Band Box House, 254-D, Dr. Annie Besant Rd, Tel. 457 311-5, Prabhadevi, BOMBAY-25-DD.
- Indonesia:** P.T. Philips-Ralin Electronics, Elcoma Division, 'TIMAH' Building, Jl. Jen. Gatot Subroto, Tel. 44 163, JAKARTA.
- Ireland:** Philips Electrical (Ireland) Ltd., Newstead, Clonskeagh, Tel. 69 33 55, DUBLIN 14.
- Italy:** Philips S.p.A., Sezione Elcoma, Piazza IV Novembre 3, Tel. 2-6994, I-20124 MILANO.
- Japan:** NIHON PHILIPS, 32nd Fl., World Trade Center Bldg., 5, 3-chome, Shiba Hamamatsū-cho, Minato-ku, Tel. 03-435-5268, TOKYO.
- Korea:** Philips Korea Ltd., Philips House, 260-199 Itaewon-dong, Yongsan ku, Tel. 73-7222, C.P.O. Box 3680, SEOUL.
- Mexico:** Electrónica S.A. de C.V., Varsovia No. 36, Tel. 5-33-11-80, MEXICO 6, D.F.
- Netherlands:** Philips Nederland B.V., Afd. Elonco, Boschdijk 525, Tel. (040) 79 33 33, NL-4510 EINDHOVEN.
- New Zealand:** EDAC Ltd., 70-72 Kingsford Smith Street, Tel. 873 159, WELLINGTON.
- Norway:** Electronica A.S., Vitaminveien 11, Tel. (02) 15 05 90, P.O. Box 29, Grefsen, OSLO 4.
- Peru:** CADESA, Jr. Ilo, No. 216, Apartado 10132, Tel. 27 73 17, LIMA.
- Philippines:** ELDAC, Philips Industrial Dev. Inc., 2246 Pasong Tamo, Tel. 86-89-51 to 59, MAKATI-RIZAL.
- Portugal:** Philips Portuguesa S.A.R.L., Av. Eng. Duharte Pacheco 6, Tel. 68 31 21, LISBOA 1.
- Singapore:** Philips Singapore Private Ltd., Elcoma Div., P.O. Box 340, Toa Payoh Central P.O., Lorong 1, Toa Payoh, Tel. 53 88 11, SINGAPORE 12
- South Africa:** EDAC (Pty.) Ltd., South Park Lane, New Doornfontein, Tel. 24/6701-2, JOHANNESBURG.
- Spain:** COPRESA S.A., Balmes 22, Tel. 329 63 12, BARCELONA 7.
- Sweden:** ELCOMA A.B., Lidingövägen 50, Tel. 08/67 97 80, S-10 250 STOCKHOLM 27.
- Switzerland:** Philips A.G., Edenstrasse 20, Tel. 01/44 22 11, CH-8027 ZUERICH.
- Taiwan:** Philips Taiwan Ltd., 3rd Fl., San Min Building, 57-1, Chung Shan N. Rd, Section 2, P.O. Box 22978, Tel. 5513101-5, TAIPEI.
- Turkey:** Türk Philips Ticaret A.S., EMET Department, Gümüssuyu Cad. 78-80, Tel. 45.32.50, Beyoğlu, ISTANBUL.
- United Kingdom:** Mullard Ltd., Mullard House, Torrington Place, Tel. 01-580 6633, LONDON WC1E 7HD.
- United States:** North American Philips Electronic Component Corp., 230, Duffy Avenue, Tel. (516) 931-6200, HICKSVILLE, N.Y. 11802.
- Uruguay:** Luzilectron S.A., Rondeau 1567, piso 5, Tel. 9 43 21, MONTEVIDEO.
- Venezuela:** Industrias Venezolanas Philips S.A., Elcoma Dept., Av. Principal de los Ruices, Edif. Centro Colgate, Apdo 1167, Tel. 36.05.11, CARACAS.

© N.V. Philips' Gloeilampenfabrieken