



1933 Heck Ave., Neptune, N. J. 07753 ■ Area Code 201 - 775-2490 ■ TWX 201 - 775-2255

For use in constant voltage, wave form clipper, surge absorber, voltage limiter, etc. circuits.

.....
This new series of regulators offers significantly better TC and voltage regulation than solid state devices.
.....

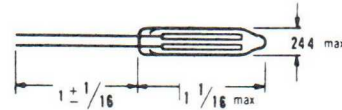


RELIABILITY FEATURES

- * Low Leakage
- * True Avalanche Characteristics
- * Low Thermal Drift
- * Excellent Regulation - $\pm 1V$

GENERAL & MECHANICAL SPECIFICATIONS:

Surge Power Capability: Up to 50 watts
Mounting Position : Any
Weight : 1.5 grams maximum
Anode identified by orange dot



ELECTRICAL SPECIFICATIONS @ 25°C

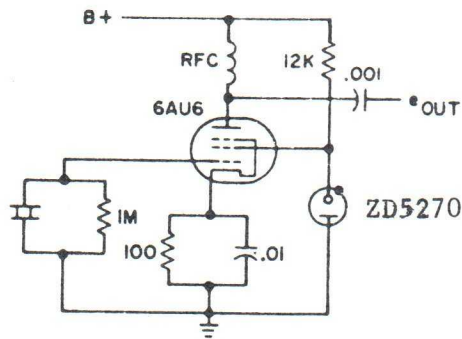
| Signalite Type | Jedec Number | Breakdown Voltage vdc | | Reference Voltage | | Current Range for Regulators ma | Temperature Coefficient mV/OC |
|----------------|--------------|-----------------------|------|-------------------|------|------------------------------------|----------------------------------|
| | | Max. | Typ. | Vdc | @ ma | | |
| ZD5268 | IN5268 | 110 | 102 | 82 | 2.0 | 0.25 - 7.0 | -2 |
| ZD5270 | IN5270 | 118 | 110 | 91 | 1.0 | 0.1 - 2.0 | -3.5 |
| ZD5271 | IN5271 | 130 | 115 | 103 | 0.8 | 0.2 - 2.0 | -9 |
| ZD5272 | IN5272 | 165 | 155 | 110 | 1.5 | 0.5 - 4.0 | +15 |
| ZD5273 | IN5273 | 150 | 140 | 115 | 0.5 | 0.15 - 4.0 | +10 |
| ZD5275 | IN5275 | 185 | 175 | 139 | 0.5 | 0.3 - 1.9 | |

NOTE: Device numbers shown are indicated by Suffix "A" for units with a tolerance of $\pm 10\%$; by Suffix "B" for units with a guarantee of $\pm 5\%$ use; by Suffix "C" for units with a tolerance of $\pm 1\%$ use; and for $\pm 20\%$ units no suffix is required.

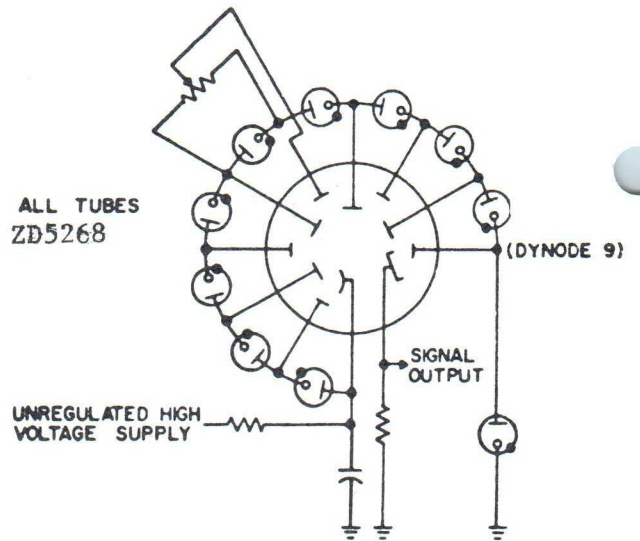
Equilibrium conditions reached within 2 minutes after ignition are common to all voltage regulators and reference tubes.

**TV VOLTAGE
MONITOR/PROTECTOR**

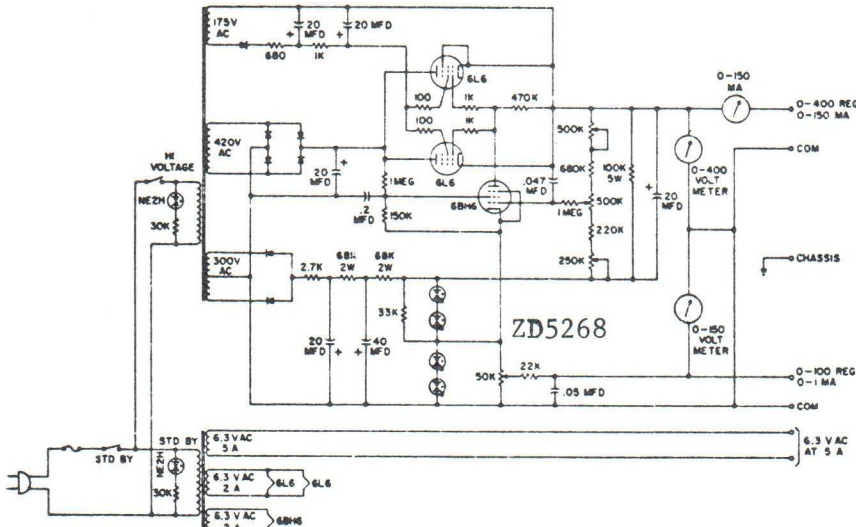
**VOLTAGE REGULATOR:
1% ACCURACY**



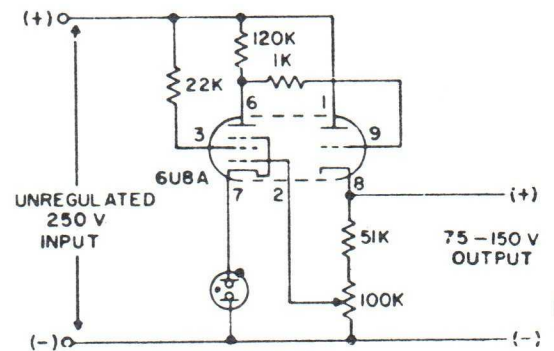
Voltage regulation for crystal oscillator



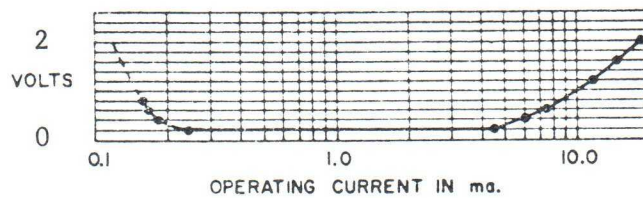
Cold cathode voltage regulators with photomultiplier tube



Electronically regulated power supply



Power supply regulation



Typical regulation curve for cold cathode voltage regulator



SIGNALITE APPLICATION NEWS — is used to communicate new and proven techniques and applications of Signalite's neon lamps and gas discharge tubes. Signalite Application News provides a forum for an exchange of ideas to keep the design engineer aware of the versatility of neon lamps and their many applications. Copies are available from your Signalite representative or contact Signalite, 1933 Heck Ave., Neptune, N. J. 07753, (201) 775-2490.



DESIGN IDEAS KIT — including Neon Lamp Brochure, Design Operation and Application of Neon Lamps. Yours for the asking.

**SIGNALITE DIVISION
GENERAL INSTRUMENT CORP.**

