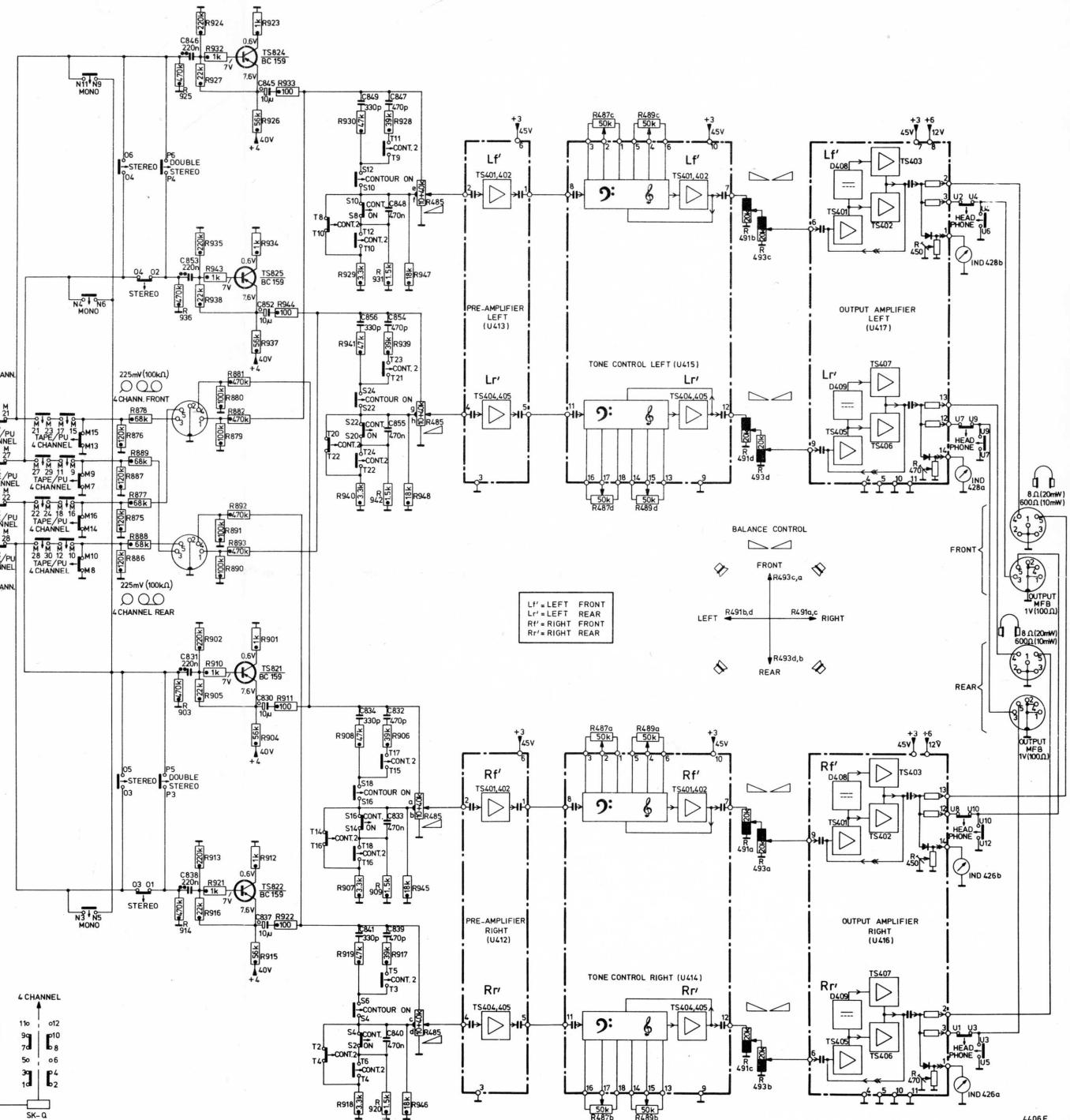
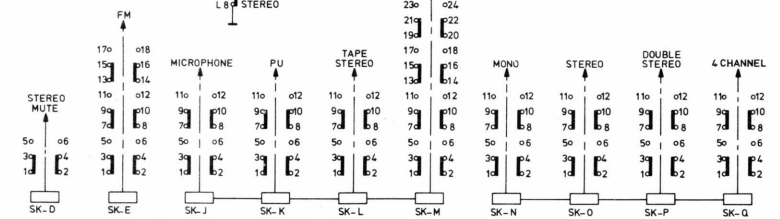
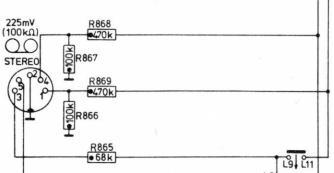
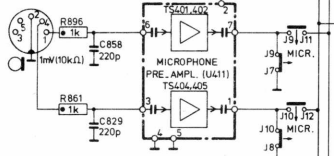
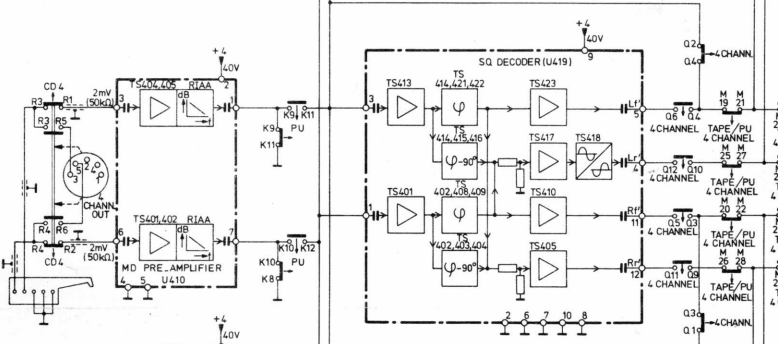
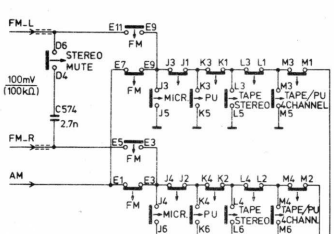


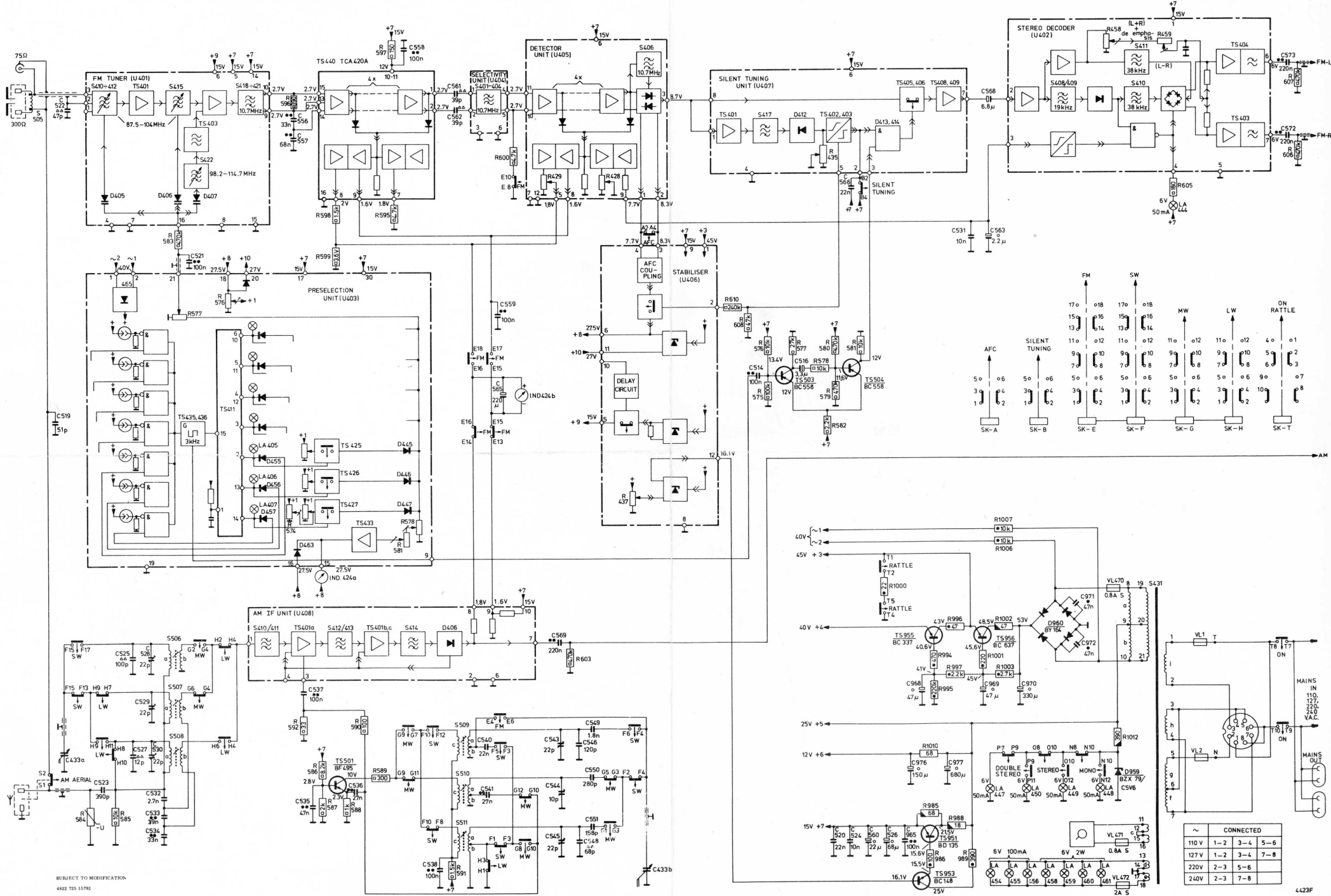
C	57k	846. 853.	845. 852.	847+849. 854+856.					
C	858. 829.	831. 838.	830. 837.	832+834. 839+841.					C
R		876.887.878.889. 932.943. 923+927.934+938.879+882.933.944.	928+931.939+942. 947.948. 485.		487c,d.	489c,d.	491b,d.493c,d.		R
R	896. 861. 864+869.	875.886.877. 888. 910. 921. 901+905.912+916. 890+893.911.922.	906+909.917+920. 945.946. 485.		487a,b.	489a,b.	491a,c.493a,b.		R
MISC.			TS824, 825.						IND 428a,b.
MISC.			TS821, 822.						IND 426a,b.

22 RH 832

- Carbon resistor E24 series 0.125 W < 1 MD 5%
- Carbon resistor E12 series 0.25 W < 1 MD 10%
- Carbon resistor E12 series 0.5 W < 1.5 MD 5%
- Carbon resistor E12 series 1 W < 2.2 MD 10%
- Plate ceramic capacitor
- Styroflex capacitor 500 V
- Polyester capacitor 400 V
- Flat-foil polyester capacitor
- Miniature electrolytic capacitor



C	522	523	524	525	526-534	521	556	557	558	561	562	559	565	569	514	516	566	531	568	563	970	971	972	605	573	572											
R	519	433a	583	583	583	583	596	598	599	597	609	594	600	610	603	575	576	577	580	579	582	581	570	605	607	606											
R	584	585					592	586	587	588	590	589	595	591																							
MISC	S505					IND 424a										TS 503	TS 504					D960	VL 470-471	S431	LA 444												
MISC					S506+508	TS501				S509,510,511												TS955	953	951	TS956	LA 454	447	455	456	450	458	449	460	461	448	D959	VL1,2



SUBJECT TO MODIFICATION
4822 725 15792

~	CONNECTED
110 V	1-2 3-4 5-6
127 V	1-2 3-4 7-8
220V	2-3 5-6
240V	2-3 7-8