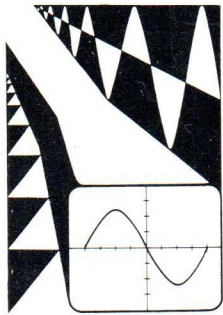


# PHILIPS



25 MHz Dual Channel Oscilloscope

## PM 3214

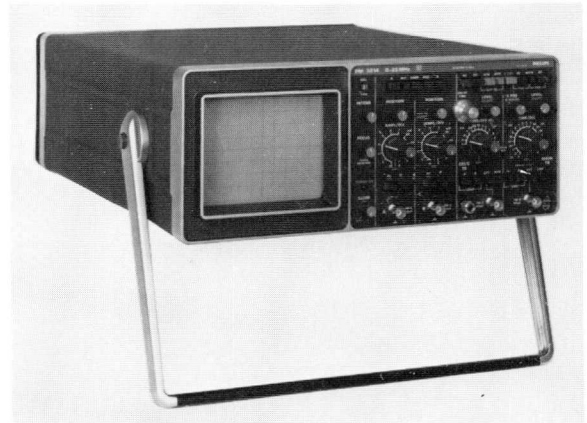
(9444 032 14..1)

9499 440 16602

761231/1/01/02



# PHILIPS



**Instruction manual**

**Anleitung**

**Notice d'emploi et d'entretien**

**25 MHz Dual channel oscilloscope**  
**25 MHz Zweikanal - Oszillograf**  
**Oscilloscope 25 MHz à double trace**

## PM 3214

(9444 032 14..1)





# Contents

1	GENERAL INFORMATION	9
1.1	INTRODUCTION	9
1.2	TECHNICAL DATA	10
1.2.1	C.R.T.	10
1.2.2	Vertical or Y-axis	10
1.2.3	Horizontal or X-axis	11
1.2.4	Main time base	11
1.2.5	Delayed time base	11
1.2.6	X Deflection	12
1.2.7	Triggering of the main time base	12
1.2.8	Triggering of the delayed time base	12
1.2.9	Calibration generator	12
1.2.10	Power supply	13
1.2.11	Environmental conditions	13
1.2.12	Mechanical data	13
1.3	ACCESSORIES	13
1.3.1	Supplied with the instrument	13
1.3.2	Optional	14
2	DIRECTIONS FOR USE	15
2.1	INSTALLATION	15
2.1.1	Safety regulations	15
2.1.2	Local mains connection and fuse protection	15
2.1.3	Connection to an external supply	16
2.1.4	Front cover and instrument positions	16
2.2	CONTROLS AND SOCKETS	16
2.2.1	Cathode-ray tube and POWER controls	16
2.2.2	Vertical channels	17
2.2.3	Horizontal channel	17
2.2.4	Main time base generator	18
2.2.5	Delayed time base generator	19
2.2.6	Miscellaneous	19
2.3	OPERATING INSTRUCTIONS	21
2.3.1	Switching on the instrument	21
2.3.2	Preliminary settings of the controls	21
2.3.3	Input coupling (AC/DC, 0)	21
2.3.4	Use of probes	21
2.3.5	Selection of chopped or alternate modes	21
2.3.6	Differential mode	22
2.3.7	Selection of trigger mode	22
2.3.8	Triggering source	23
2.3.9	X Y measurements	24
2.3.10	Using the delayed time base	24

3	SERVICE DATA	59
3.1	BLOCK DIAGRAM DESCRIPTION	59
3.1.1	Y Channel	59
3.1.2	Main time-base triggering	59
3.1.3	Main time-base circuit	
3.1.4	Hold-off circuit	59
3.1.5	Z-axis	59
3.1.6	Delayed time-base triggering	60
3.1.7	Delayed time-base circuit	60
3.1.8	Alternate time-base logic	60
3.1.9	Power supply	60
3.2	DISMANTLING	61
3.3	PARTS LISTS AND DIAGRAMS	71

## FIGURES

1.1.	25 MHz dual-channel oscilloscope PM 3214	9
2.1.	Rear view of the oscilloscope showing the voltage adapter set to 220 V	15
2.2.	Front view of the oscilloscope showing controls and sockets	16
2.3.	How to compensate passive 10:1 probes and the effect on waveforms.	20
2.4.	Suppression of common mode signals	22
2.5.	Block diagram of composite trigger circuit	23
3.1.	Block diagram of the oscilloscope	58
3.2.	Removing the instrument covers and the carrying handle	62
3.3.	Pivot centre button	62
3.4.	Removing the delay-time multiplier knob	64
3.5.	Removing the front assembly (screws C)	64
3.6.	Removing the push-button switches (screws D)	65
3.7.	Removing the front assembly (screws E)	65
3.8.	Removing the front assembly (screws F)	66
3.9.	Push-button set clamping device	66
3.10.	Replacing a push-button switch	66
3.11.	Replacing the thermal fuse	67
3.12.	Front view showing item numbers	70
3.13.	Rear view showing item numbers	70
3.14.	Vertical attenuator unit	89
3.15.	Power supply unit	90
3.16.	Vertical amplifier unit	92
3.17.	Circuit diagram of the complete oscilloscope PM 3214.	93



# Inhaltsverzeichnis

1	ALLGEMEINES	25
1.1	EINLEITUNG	25
1.2	TECHNISCHE DATEN	26
1.2.1	Elektronenstrahlröhre	26
1.2.2	Vertikale oder Y-Achse	26
1.2.3	Horizontale oder X-Achse	27
1.2.4	Hauptzeitablenkung	27
1.2.5	Verzögerte zeitablenkung	27
1.2.6	X-Ablenkung	28
1.2.7	Triggerung der Hauptzeitablenkung	28
1.2.8	Triggerung der verzögertenzeitablenkung	28
1.2.9	Kalibriergenerator	28
1.2.10	Stromversorgung	29
1.2.11	Umgebungsbedingungen	29
1.2.12	Mechanische Daten	29
1.3	ZUBEHÖR	30
1.3.1	Standardzubehör	30
1.3.2	Wahlzubehör	30
2.	GEBRAUCHSANLEITUNG	31
2.1	INBETRIEBNAHME	31
2.1.1	Sicherheitsvorschriften	31
2.1.2	Örtlicher Netzanschluss und Sicherung	31
2.1.3	Anschluss an eine externe Stromversorgung	32
2.1.4	Abdeckhaube und Betriebslage	32
2.2	BEDIENUNGSELEMENTE UND BUCHSEN	32
2.2.1	Elektronenstrahlröhre und POWER-Einstellelemente	32
2.2.2	Vertikale Kanäle	33
2.2.3	Horizontaler Kanal	33
2.2.4	Hauptzeitablenkgenerator	34
2.2.5	Verzögerter zeitablenkgenerator	34
2.2.6	Verschiedenes	35
2.3	BEDIENUNGSANLEITUNG	36
2.3.1	Einschalten des Geräts	36
2.3.2	Vorbereitende Einstellungen	36
2.3.3	Eingangskopplung	36
2.3.4	Anwendung von Messköpfen	36
2.3.5	Einstellen der geschoppten oder der alternierenden Darstellungsart	36
2.3.6	Differentielle Betriebsart	38
2.3.7	Einstellen der Triggerungsart	38
2.3.8	Triggerquelle	39
2.3.9	X-Y Messungen	40
2.3.10	Gebrauch der verzögerten zeitablenkung	40

**BILDVERZEICHNIS**

1.1.	25 MHz Zweikanal-Oszillograf	25
2.1.	Rückansicht des Oszillografen mit Spannungs umschalter in 220 V Stellung	31
2.2.	Vorderansicht des Oszillografen mit Bedienungsorganen und Buchsen	32
2.3.	Die Kompensation von passiven 10:1 Messköpfen und der Einfluss auf Signalformen	37
2.4.	Gleichtaktunterdrückung	38
2.5.	Blockschaltbild der zusammengesetzte (composite) Triggerschaltung	39



## Table des matières

1.	GENERALITES	41
1.1.	INTRODUCTION	41
1.2	CARACTERISTIQUES	42
1.2.1	Tube cathodique	42
1.2.2	Axe vertical ou Y	42
1.2.3	Axe X ou horizontal	43
1.2.4	Base de temps principale	43
1.2.5	Base de temps retardée	43
1.2.6	Déviaton X	44
1.2.7	Déclenchement de la base de temps principale	44
1.2.8	Déclenchement de la base de temps retardée	44
1.2.9	Générateur d'étalonnage	45
1.2.10	Alimentation	45
1.2.11	Conditions ambiantes	45
1.2.12	Caractéristiques mécaniques	45
1.3.	ACCESSOIRES	46
1.3.1	Fournis avec l'instrument	46
1.3.2	En option	46
2.	MODE D'EMPLOI	47
2.1	INSTALLATION	47
2.1.1	Règlements de sécurité	47
2.1.2	Branchement sur le secteur et fusibles	47
2.1.3	Branchement sur une alimentation extérieure	48
2.1.4	Couvercle avant et position de l'instrument	48
2.2	COMMANDES ET PRISES	48
2.2.1	Tube cathodique et commandes de puissance	48
2.2.2	Déviaton verticale	49
2.2.3	Déviaton horizontale	49
2.2.4	Générateur de base de temps principale	50
2.2.5	Générateur de base de temps retardée	51
2.2.6	Divers	51
2.3	INSTRUCTIONS D'UTILISATION	52
2.3.1	Mise de l'instrument en circuit	52
2.3.2	Réglage préliminaire des commandes	52
2.3.3	Couplage d'entrée	52
2.3.4	Emploi des sondes	52
2.3.5	Choix entre modes commuté et alterné	52
2.3.6	Mode différentiel	54
2.3.7	Choix du mode de déclenchement	54
2.3.8	Source de déclenchement	55
2.3.9	Mesures XY	56
2.3.10	Utilisation de la base de temps retardée	56

**FIGURES**

1.1.	Oscilloscope 25 MHz à double trace PM 3214	41
2.1.	Vue arrière de l'oscilloscope avec carrousel en position 220 V	47
2.2.	Vue avant de l'oscilloscope montrant les commandes et douilles	48
2.3.	Comment compenser les sondes passives 10:1 et l'effet sur les formes d'ondes	53
2.4.	Réjection en mode commun	54
2.5.	Schéma synoptique du circuit de déclenchement mixte	55



# Operating manual

# 1. General information

## 1.1 INTRODUCTION

The 25 MHz dual-channel oscilloscope PM 3214 is a compact, portable instrument, ergonomically designed to facilitate its extensive measuring capabilities.

The instrument provides both a main and a delayed timebase with provision for alternate timebase displays, comprehensive triggering facilities including peak-to-peak Auto, DC coupling and automatic TV waveform display.

A large 8 x 10 cm screen with illuminated internal graticule lines makes for easier viewing, and a 10 kV accelerating potential gives a high intensity trace with a well-defined spot.

A double-insulated power supply allows the frame ground to be directly connected to floating ground circuits provided that this ground does not carry live potentials. By this means, interference by ground currents, as is frequently experienced with grounded oscilloscopes, is also substantially reduced.

The wide range of applications enabled by the above features is further extended by a versatile power supply that enables the instrument to be operated from any line voltage or frequency as well as from d.c. For field operation an optional battery version is also available.

**Warning: The frame ground (and the ground lead of the probe) must not be connected to live potentials.**

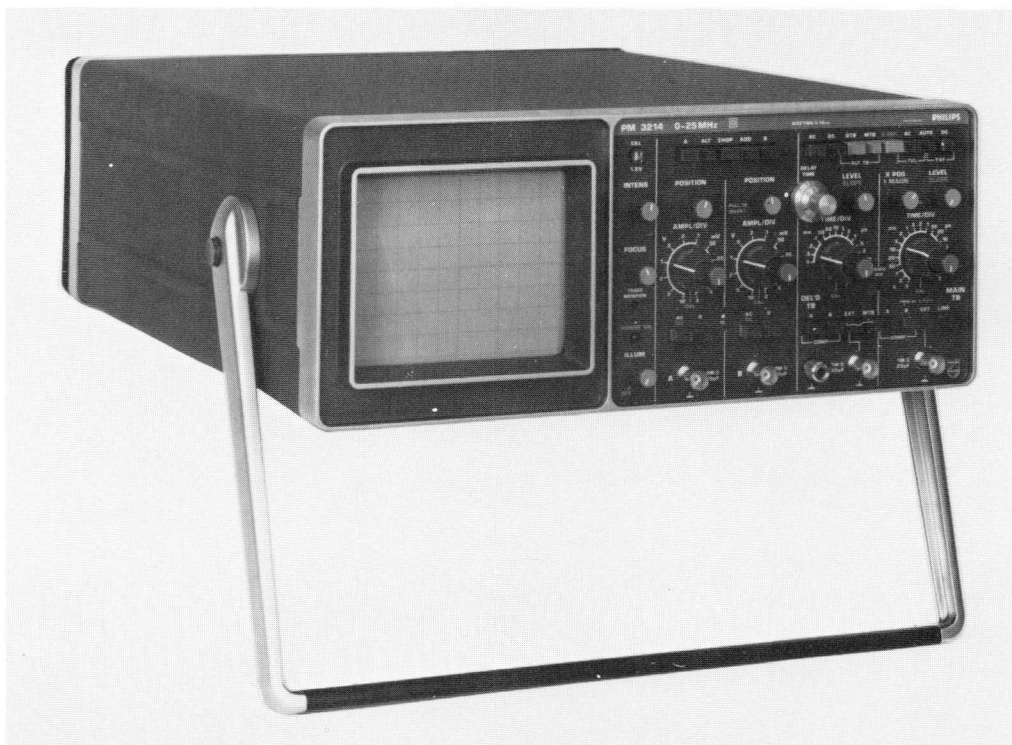


Fig. 1.1. 25 MHz dual-channel oscilloscope PM 3214

## 1.2 TECHNICAL DATA

Properties expressed in numerical values with stated tolerances are guaranteed for ambient temperatures of +5 °C .... + 40 °C unless stated otherwise. Numerical values without tolerances are typical and represent the characteristics of an average instrument.

<i>Designation</i>	<i>Specification</i>	<i>Additional Information</i>
<b>1.2.1 C.R.T.</b>		
Type	D14-125 GH/08	Rectangular tube face, mesh type, post accelerator, metal backed phosphor.
Measuring area	8 x 10 divisions	1 div. equals 1 cm
Screen type	P31 (GH)	P7 (GM) optional
Total acceleration	10 kV	
Graticule	Internal	Cont. variable illumination
Engravings	Centimetre divisions with subdivisions of 2 mm along the central axis. Dotted lines indicate 10% and 90% of measuring lattice for measurement of rise time.	
<b>1.2.2 Vertical or Y-axis</b>		
Display modes	Channel A only Channel B only A and B chopped A and B alternated A and B added	
Channel B polarity	Normal or inverted	
Response:		
Frequency range	DC : 0 .... 25 MHz (-3 dB) AC : 2 Hz .... 25 MHz (-3 dB)	
Rise time	≤ 14 ns	
Pulse aberrations	≤ ± 3% (≤ 4% pp)	Measured at 8 div. amplitude and applied rise time of ≥ 1 ns.
Deflection coefficients	2 mV/DIV .... 10 V/DIV	1-2-5 sequence
Continuous control range	1 : ≥ 2,5	
Deflection accuracy	± 3 %	
Input impedance	1 MΩ/20 pF	
input RC time	0,1 s	Coupling switch to AC
Maximum permissible input voltage	400 V, d.c. + a.c. peak	
Chopping frequency	≈ 500 kHz	
Vertical positioning range	16 divisions	
Dynamic range	24 divisions	
Visible signal delay	≥ 40 ns	
C.M.R.R. in A-B mode	≥ 40 dB at 1 MHz	After adjustment at d.c. or low frequencies
Cross talk between channels	-40 dB or better at 10 MHz	
Instability of the spot position:		
Temperature drift	≤ 0,3 div/hour	

### 1.2.3 Horizontal or X-axis

Horizontal deflection can be obtained from either the Main time base or the Delayed time base or a combination of the two, or from the signal source selected for X-deflection. In this case X-Y diagrams can be displayed using A, B, the Ext. input connector, or line as a signal source for horizontal deflection.

#### *Display modes*

- Main time base
- Main time base intensified by delayed time base
- Main time base and delayed time base alternately displayed
- Delayed time base
- XY or XY/Y operation

#### X deflection by:

- Channel A signal
- Channel B signal
- Signal applied to EXT connector of main time base
- Mains frequency

### 1.2.4 Main time base

Operation	Automatic	Possibility of automatic free-running in the absence of triggering signals
	Triggered	
Time coefficients	0,5 s/DIV ..... 0,2 $\mu$ s/DIV	1-2-5 sequence
Continuous control range	1 : $\geq$ 2,5	
Coefficient error	$\pm$ 3%	
Magnification	10x	
Magnifier error	$\pm$ 2%	
Max. effective time coefficient	20 ns/DIV	

### 1.2.5 Delayed time base

Operation	Delayed time base either starts immediately after delay time or is triggerable after the delay time, by the selected delayed time base trigger source	
Time coefficients	1 mS/DIV – 0,2 $\mu$ s/DIV	1-2-5 sequence
Continuous control range	1 : $\geq$ 2,5	
Coefficient error	$\pm$ 3%	
Delay time	In steps variable with main time base.  Continuously variable with 10-turn potentiometer between 0 x and 10 x the time coefficient of the main time base	
Incremental delay time accuracy	0,5%	
Delay time jitter	n : $\geq$ 20.000	

<i>Designation</i>	<i>Specification</i>	<i>Additional information</i>
<b>1.2.6 X Deflection</b>		
Source	A, B, EXT. or LINE (MAINS)	As selected by trigger source switch, if push-button X DEFL. is depressed
Deflection coefficients	A, or B: As selected by AMPL/DIV EXTERNAL: 0,5 V/division LINE: 8 divisions	
Deflection accuracy	$\pm 10\%$ in A or B	
Frequency range	DC: 0 ... 1 MHz (-3 dB) over 6 divisions	
Phase shift	$\leq 3^\circ$ at 100 kHz	
Dynamic range	24 divisions	For frequencies $\leq 100$ kHz
<b>1.2.7 Triggering of the main time base</b>		
Source	Ch. A, Ch. B, Composite, External and Line (mains)	
Trigger mode	Automatic, normal AC normal DC, TV-line and TV frame	
Trigger sensitivity	Internal: 1,0 div. External: 0,5 Vpp	
Triggering frequency range	AUTO: 20 Hz..... $\geq 50$ MHz AC: 50 Hz..... $\geq 50$ MHz DC: 0 Hz..... $\geq 50$ MHz	
Level range	AUTO: Proportional to peak-to-peak value of trigger signal. AC, DC: 16 div. at Internal trigg., and 8 V at external trigg.	+ or -8 div and + or -4 V referenced to centre of screen
Triggering slope	Positive or negative going	
Input impedance	1 M $\Omega$ //20 pF	
Maximum permissible input voltage	400 V, d.c. + a.c. peak	
<b>1.2.8 Triggering of the delayed time base</b>		
Source	chA, chB, Composite, External	
Other trigger specifications are identical to "triggering of the main time base" with the exception of TV triggering.		
<b>1.2.9 Calibration generator</b>		
Output voltage	1,2 Vpp	Square wave
Accuracy	$\pm 1\%$	
Frequency	$\approx 2$ kHz	

<i>Designation</i>	<i>Specification</i>	<i>Additional Information</i>
<b>1.2.10 Power supply</b>		
AC supply:	Double insulated	Safety class II, IEC 348
Nominal voltage range (on line-mains voltage adaptor)	110, 127, 220 or 240 Vac ± 10%	
Nominal frequency range	50 ..... 400 Hz ± 10%	
Power consumption	30 W max.	At nominal mains voltage
DC supply:		
Voltage range	22-27 V dc	Floating input
Current consumption	1,1 A max.	

### 1.2.11 Environmental conditions

The environmental data are valid only if the instrument is checked in accordance with the official checking procedure. Details on these procedures and failure criteria are supplied on request by the PHILIPS organisation in your country, or by N.V. PHILIPS' GLOEILAMPENFABRIEKEN, TEST AND MEASURING DEPARTMENT, EINDHOVEN HOLLAND.

Ambient temperature:

Rated range of use	+ 5 °C ..... + 40 °C	
Limit range of operation	- 10 °C ..... + 55 °C	
Storage and transport conditions	- 40 °C ..... + 70 °C	
Humidity	According to IEC 68 Db	
Bump	1000 bumps of 10 g, ½ sine, 6 ms duration in each of 3 directions	
Vibration	30 minutes in each of three directions, 10-150 Hz; 0.7 mm p-p and 5g max. acceleration	
Altitude:		
Operating	5000 m (475 mbar)	
Not operating	15000 m (100 mbar)	
Recovery time	30 minutes if instrument temperature is raised from - 10 °C to + 20 °C at 60% relative humidity	
Electromagnetic interference	The instrument meets the VDE, Störgrad K, requirements	

### 1.2.12 Mechanical data

Dimensions:

Length	420 mm	
Width	330 mm	
Height	150 mm	Feet included
Weight	8,4 kg (18,5 lb) approx.	

## 1.3 ACCESSORIES

### 1.3.1 Supplied with the instrument

Front cover  
2 BNC-4 mm adaptors



**1.3.2 Optional**

Passive probe 1:1	PM 9335 (L)
Passive probe 10:1	PM 9336 (L), PM 9350 (L), or PM 9351 (L)
Passive probe 100:1	PM 9358
Miniature Fet probe	PM 9352
Fet probe	PM 9353
Current probe	PM 9355
Probe power supply	PM 9346
Oscilloscope trolley	PM 8991
Polaroid filter	PM 8910
Viewing hood	PM 9366
Long viewing hood	PM 8980
Oscilloscope camera	PM 9380
Adaptor for PM 9380	PM 8971
19-in rackmount	PM 8962
Accessory pouch	PM 8992
Battery pack	PM 8901

## 2. Directions for use

### 2.1 INSTALLATION

#### 2.1.1 Safety regulations (in accordance with IEC 348)

Before connecting the instrument to the mains (line), visually check the cabinet, controls and connectors etc. to ascertain whether any damage has occurred in transit. If any defects are apparent, do not connect the instrument to the mains (line).

The instrument must be disconnected from all voltage sources and any high voltage points discharged before any maintenance or repair work is carried out. If adjustments or maintenance of the operating instrument with covers removed is inevitable, it must be carried out only by a skilled person who is aware of the hazards involved. In normal operation the double-insulated power supply obviates the need of a safety ground.

**Warning:** It must be borne in mind that in all measurements the frame ground of the oscilloscope is raised to the same potential as that of the measuring ground probe connection. Neither the probe's ground lead nor the frame ground shall be connected to live potentials.

#### 2.1.2 Local mains (line) connection and fuse protection

Before connecting the instrument to the mains (line) ensure that it is set to the local mains (line) voltage. On delivery the instrument is set to 220 V. If the instrument is to be used with 110 V, 127 V or 240 V supply, the appropriate voltage should be selected by turning the adaptor on the rear panel to indicate the voltage required (see Fig. 2.1).

The instrument is protected from overloads by a thermal fuse fitted between the mains (line) transformer windings. It can be replaced after having removed the instrument rear panel (see section 3.2).



Fig. 2.1. Rear view of the oscilloscope showing the voltage adapter set to 220 V.

### 2.1.3 Connection to an external supply

An external supply or battery of 22 V to 27 V capable of delivering at least 1 A can be connected to the socket on the rear panel.

The inner conductor must be connected to the negative pole and the outer conductor to the positive pole, as indicated on the rear panel.

The instrument is protected against overloads and reversed polarity by an internal fuse and diode.

### 2.1.4 Front cover and instrument position

The front cover can be simply removed by pulling it from the front.

The instrument may be used horizontally or in several sloping positions by using the carrying handle as a tilting bracket.

To unlock the handle, simultaneously push in both pivot centre knobs.

## 2.2 CONTROLS AND SOCKETS (Refer to Fig. 2.2)

### 2.2.1 Cathode-ray tube and POWER controls

ILLUM	Continuously variable control of the graticule illumination;
POWER ON	incorporates mains (line) switch. POWER ON pilot lamp indicates the ON state.
INTENS	Continuously variable control of the trace brilliance.
FOCUS	Allows beam to be focused for minimum spot size.
TRACE ROTATION	Screwdriver adjustment to align the trace with the horizontal graticule lines.

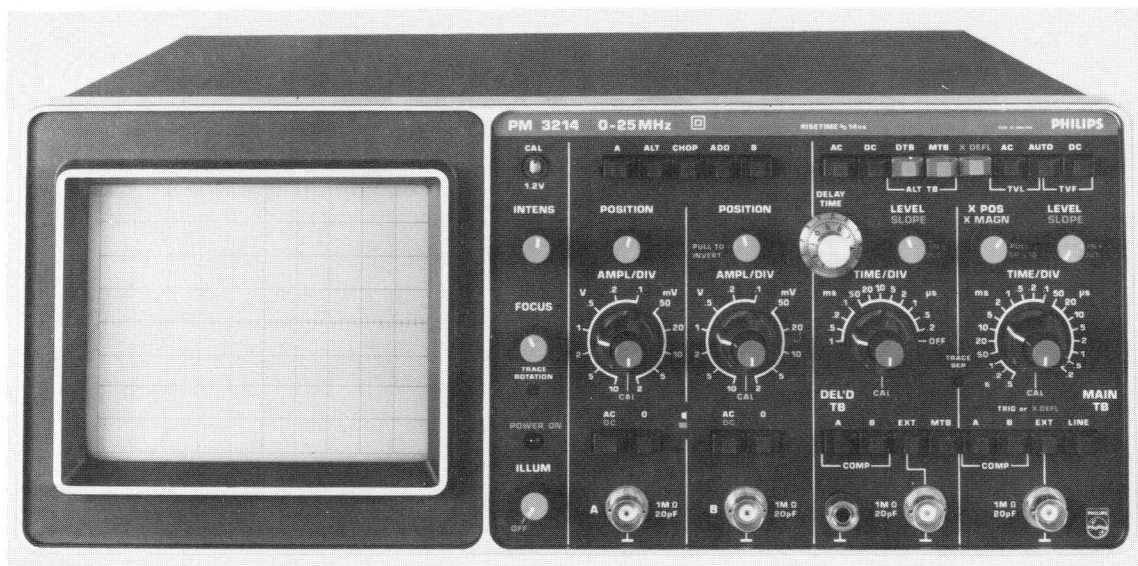


Fig. 2.2. Front view of the oscilloscope showing controls and sockets.

## 2.2.2 Vertical channels

### *Display mode switch*

A – ALT – CHOP – ADD – B

A

ALT

CHOP

ADD

B

POSITION

PULL TO INVERT B

AMPL/DIV (outer)

AMPL/DIV (centre-knob)

### *Input coupling switch*

AC/DC – 0

AC (depressed)

DC (released)

0 (depressed)

A (1M $\Omega$ //20pF)

B (1M $\Omega$ //20pF)

### *Function*

5-way pushbutton switch selecting the vertical display mode. With all buttons released, the ALT mode is in operation.

Vertical deflection is achieved by the signal connected to the input of channel A.

The display is switched over from one vertical channel to the other at the end of every cycle of the timebase signal.

The display is switched over from one vertical channel to the other at a fixed frequency. ( $f \approx 500$  kHz)

Vertical deflection is achieved by the sum signal of channels A and B.

Vertical deflection is achieved by the signal connected to the input of channel B.

Continuously variable controls giving vertical shift of the display.

Push-pull switch combined with the channel B POSITION control. When pulled, channel B signal is inverted.

Step control of the vertical deflection coefficients, ranging from 2 mV/div up to 10 V/div in a 1-2-5 sequence.

Continuously variable control of the vertical deflection coefficients. Note that the deflection coefficient is calibrated only with the centre-knob switched to the CAL position (fully-clockwise).

Signal coupling; 2-way pushbutton switch

Coupling via a blocking capacitor

Direct coupling

Connection between input circuit and input socket is interrupted and the input circuit is grounded.

BNC socket for channel A input

BNC socket for channel B input

## 2.2.3 Horizontal channel

### *X deflection source switch*

DTB            MTB – XDEFL  
└─ ALT TB ─┘

DTB

MTB

### *Function*

Horizontal-deflection controls; 3-way pushbutton switch

The horizontal deflection voltage is supplied by the delayed timebase generator.

The horizontal deflection voltage is supplied by the main timebase generator. A portion of the trace is intensified when the delayed timebase is running.

The delayed timebase generator is switched off when the DELD TIME/DIV switch is in the OFF position.

If no buttons are depressed the effect is the same as the MTB button depressed (only the MTB LEVEL control is not operating in this situation).

When both the DTB and MTB pushbuttons are selected simultaneously, the horizontal deflection voltage is supplied by the main and delayed timebases alternately.

DTB            MTB  
└─ ALT TB ─┘

X DEFL

Horizontal deflection is achieved by an external signal applied to the input socket of the horizontal amplifier, by the channel A signal, the channel B signal, or by a mains-frequency signal.

X POS/X MAGN

Continuously variable control giving horizontal shift of the display; incorporates a push-pull switch, PULL FOR x 10, which increases the horizontal deflection coefficient by a factor of 10. The magnifier is also operative if an external X deflection signal is used.

TRACE SEP.

Continuously variable control of the vertical space between the two time-base displays in the ALT.TB mode.

## 2.2.4 Main time base generator

LEVEL

SLOPE (IN +,OUT-)

Continuously variable control to select the level of the triggering signal at which the timebase generator starts.

This control incorporates a push-pull switch, which enables choice of triggering on the positive or negative-going edge of the triggering signal. For TV triggering, select - for negative video signals and + for positive video signals.

*Trigger mode switch*

AC - AUTO - DC

└ TVL ─┬ TVF ─┘

*Function*

3-way pushbutton switch selecting the trigger mode.

With all pushbuttons released AUTO sweep mode is in operation at a fixed range of the LEVEL control.

AUTO

A trace is displayed in the absence of trigger signals. The range of the LEVEL control is proportional to the peak-to-peak value of the triggering signal.

AC

Normal triggering and fixed range of the LEVEL control. The DC component of the trigger signal is blocked.

DC

Normal triggering and fixed range of the LEVEL control. The DC component of the trigger signal is passed.

AC AUTO

└ TVL ─┘

Line synchronisation is obtained.

AUTO DC

└ TVF ─┘

Frame synchronisation is obtained.

*Trigger source switch*

A - B - EXT - LINE

└ COMP ─┘

*Function*

4-way pushbutton switch selects the trigger source, (or the source of horizontal deflection if X deflection source switch is depressed for X DEFL).

With all pushbuttons released, the effect is the same as the A button depressed.

A

Signal derived from channel A

B

Signal derived from channel B

A B

└ COMP ─┘

Composite signal, derived after the electronic switch. Triggering occurs on the displayed waveforms (not usable with X DEFL).

EXT

External signal derived via the adjacent 1 M $\Omega$ //20pF socket.

LINE (MAINS)

Signal derived from the line (mains) voltage. (Inoperable when instrument is battery-powered).

TIME/DIV (outer switch)

Selects the time coefficient from .2  $\mu$ s/div to .5 s/div in a 1-2-5 sequence.

TIME/DIV (inner knob)

Continuously variable control of the time coefficients. Must be switched to CAL position (i.e. fully clockwise) for the time axis to be calibrated according to the indication of the TIME/DIV switch.

1 M $\Omega$  - 20 pF

BNC socket for external triggering or horizontal deflection.

### 2.2.5 Delayed time base generator

LEVEL  
SLOPE (IN +, OUT -)

Continuously variable control to select over a fixed range the level of the triggering signal at which the time base generator starts. This control incorporates a push-pull switch, which enables choice of triggering on the positive or negative going edge of the triggering signal.

#### *Trigger mode switch*

AC - DC  
AC

#### *Function*

2-way pushbutton switch selecting the trigger mode

Normal triggering and fixed range of the LEVEL control. The DC component of the trigger signal is blocked.

DC

Normal triggering and fixed range of LEVEL control. The DC component of the trigger signal is passed.

DELAY TIME

Continuously variable vernier control of the delay time, together with the TIME/DIV controls of the main time base generator.

#### *Trigger source switch*

A - B - EXT - MTB

#### *Function*

4-way pushbutton switch selects the trigger source and starting point of delayed time base. No pushbutton depressed has the same effect as the MTB button depressed.

A

Internal triggering  
Signal derived from channel A.

B

Internal triggering  
Signal derived from channel B.

A          B  
└─ COMP ─┘

Composite signal, derived after the electronic channel switch. Triggering occurs on the displayed waveform, after selected delay time.

EXT

Triggering on an external signal connected to the adjacent  $1M\Omega//20pF$  socket.

MTB

Internal triggering signal derived from the main time base to start the delayed time base immediately after the selected delay time.

TIME/DIV (outer switch)

Selects the time coefficient from  $2\mu s/div$  to  $1ms/div$  in a 1-2-5 sequence. Incorporates an OFF position by which the delayed time base generator is switched off.

TIME/DIV (inner knob)

Continuously variable control of the time coefficients. Must be in the CAL position (i.e. fully clockwise) for the time axis to be calibrated according to the indication of the TIME/DIV switch.

$1M\Omega - 20pF$

BNC socket for external triggering signal.

### 2.2.6 Miscellaneous

CAL

Output socket supplying squarewave voltage  $\approx 2kHz$  at an amplitude of  $1.2V p-p \pm 1\%$ . To be used for probe compensation and/or checking vertical deflection accuracy.

DC POWER IN

Input socket at the rear of the instrument allows operation by an external d.c. supply. Rated supply voltage  $22V$  to  $27V$ , current capability  $> 1A$ .

LINE (MAINS) VOLTAGE  
ADAPTOR

Must be set according to section 2.1.2 before the instrument is connected to the local mains voltage.

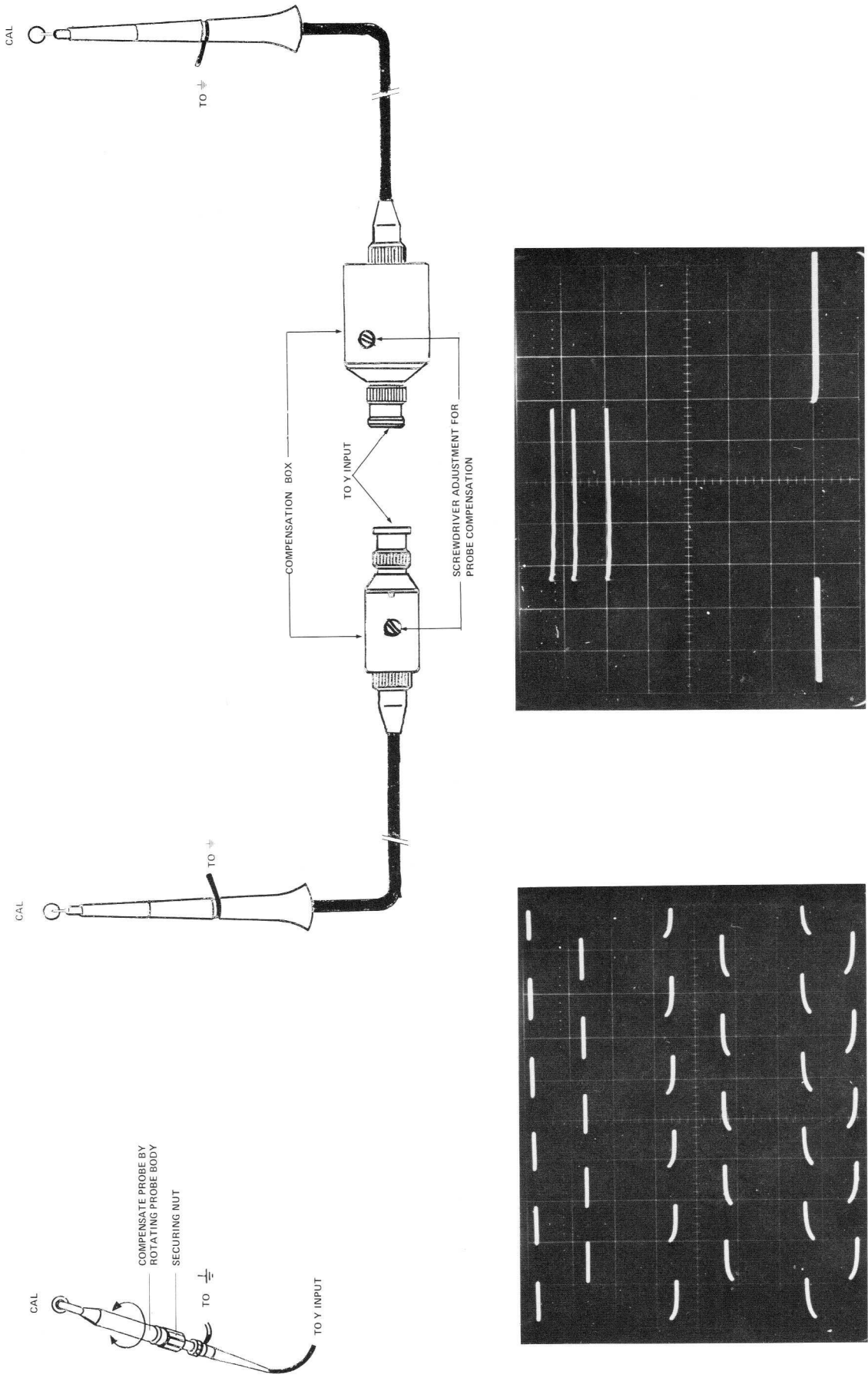


Fig. 2.3. How to compensate passive 10:1 probes and the effect on waveforms

1  $\mu$ s/div

Probe compensation affects amplitude of fast pulses; from top to bottom:  
 —correctly compensated  
 —over-compensated  
 —under-compensated

2ms/div

Effect on square wave from CAL output; from top to bottom:  
 —correctly compensated  
 —over-compensated  
 —under-compensated



## 2.3 OPERATING INSTRUCTIONS

### 2.3.1 Switching on the instrument

Before connecting the instrument to any supply, the instructions given in section 2.1 Installation, should be carefully carried out.

The oscilloscope will meet specifications (see section 1.2) normally after a warming-up period of approximately 15 minutes. However, if the instrument has been subjected to an extremely cold environment (e.g. left in a car overnight in freezing conditions) and is then brought in for use in a warm room, a warming-up period of sufficient length should be allowed (see 1.2.11).

### 2.3.2 Preliminary settings of the controls

This procedure is a general indication of whether the oscilloscope is functioning correctly and provides a suitable starting point before any measurements are made.

Refer to Fig. 2.2 for location of controls.

Set INTENS and FOCUS controls in mid position.

Depress AUTO and select an average time coefficient between  $10 \mu\text{s}/\text{div}$  and  $10 \text{ms}/\text{div}$  with the TIME/DIV switch. With all other pushbuttons normal (not depressed) channel A and channel B traces can be positioned on the screen with the relevant POSITION controls. Set the INTENS control for a display of medium brightness and adjust FOCUS control for well focused traces.

### 2.3.3 Input coupling (AC/DC, 0)

**AC coupling** (pushbutton depressed) is useful to block the d.c. component of a signal. Choice of AC limits the lower frequencies, causing low repetition rate sinewave signals to be attenuated and low repetition rate squarewaves to be distorted. The degree of attenuation is determined by the input RC time (0.1s). Input RC time is extended by 10 if 10:1 passive probes are employed.

When switching to AC coupling it will take approximately five input RC times before the trace is stabilised to the average value of the input signal.

AC position measurements cannot be made with respect to ground.

**0 position** disconnects input source and short-circuits input of amplifier to provide zero signal check.

**DC coupling** (pushbutton released) provides for full range frequency input, i.e. down to d.c.

### 2.3.4 Use of probes

1:1 passive probes should only be used for d.c. and low frequencies.

Capacitive loading attenuates high frequencies or increases the rise-time of measurement signals (dependent on source impedance).

10:1 passive probes have less capacitive loading; usually about 10pF to 20pF. FET probes are superior, especially when measurements are to be taken from high impedance test points or at the upper frequency limit of the oscilloscope bandwidth.

10:1 passive probes must be properly compensated before use. Incorrect compensation leads to pulse distortion or amplitude errors at high frequencies.

For correct adjustment, the CAL output connection can be used (see Fig. 2.3.)

### 2.3.5 Selection of chopped or alternate modes

(A ALT CHOP ADD B)

In dual channel operations (CHOP or ALT depressed) the chopped mode (depress CHOP) must be selected for relatively slow sweep speeds (from  $.1 \text{ms}/\text{div}$  to  $.5 \text{s}/\text{div}$ ) or at low repetition rates of sweeps occurring, even at high sweep rates. Selection of the ALTERNATE mode under these circumstances would make comparisons between waveforms difficult because traces would actually appear to be written one by one. However, when the display is fast enough to be interrupted by the chopping frequency the alternate mode must be selected (depress ALT), usually at sweep rates faster than  $.1 \text{ms}/\text{div}$ .

### 2.3.6 Differential mode

The A – B mode can be selected by depressing ADD and pulling the channel B POSITION control.

In measurements where signal lines carry substantial common mode signals (e.g. hum) the differential mode will cancel out these signals and leave the remainder of interest (A – B). The capability of the oscilloscope to suppress common mode signals is given by the CMR factor (see Fig. 2.4).

To obtain the degree of common mode rejection as specified, channel A and B gains must first be equalised. This can be done by connecting both channels to the CAL output connector, and adjusting one of the continuous controls with the AMPL/DIV switch for minimum deflection on the screen.

When passive 10:1 probes are used a similar equalisation process is recommended by adjusting their compensating controls for minimum deflection.

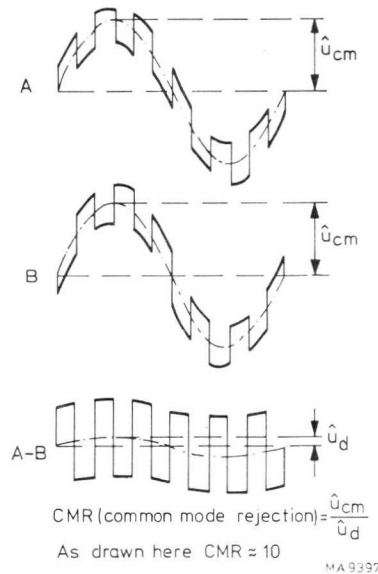


Fig. 2.4. Suppression of common mode signals

### 2.3.7 Selection of trigger mode

(AC AUTO DC)  
 └ TVL ─┘ └ TVF ─┘

The AUTO mode is most useful because it provides trace(s) on the screen even in the absence of trigger signals. Furthermore, for a signal amplitude larger than 1 division, this mode provides stable triggering independently of the position of the LEVEL control; its range is automatically adjusted to the peak-to-peak value of the signal selected for triggering.

In this way the setting of the LEVEL control is facilitated at small amplitudes of the trigger signal.

The AUTO mode cannot be employed for signals with low repetition rates (10 Hz or lower) because the sweeps would be able to free run in between triggers. Therefore, for low repetition signals normal triggering must be used (AC or DC depressed).

In normal triggering, sweeps are only initiated with a trigger signal applied and the LEVEL control set appropriately.

With AC or DC depressed the range of the LEVEL control is fixed (+ or –8 divisions or more at the extremes of the LEVEL control with respect to mid screen).

The DC component in the trigger signal can be blocked by depressing AC. This is useful when triggering must take place on a.c. signals superimposed on a large d.c. level.

With AC coupling, the level at which the display starts will change with alterations in the average value of the trigger signal. The trigger level is thus no longer referenced to signal ground. This may cause instability with waveforms that vary in time interval from cycle to cycle. Normally it is preferable to use the DC position.

Slope selection is made with pushbutton +/–. In TV mode – must be selected for negative video signals and + for positive video signals. The LEVEL control is inoperable in the TV mode.

No buttons depressed offers an extra mode of use, a trace is on screen in the absence of a trigger signal, but the LEVEL range is fixed.

### 2.3.8 Trigger sources

The main time base trigger sources can be selected by the front-panel TRIG or X DEFL pushbuttons.

A      B          EXT      LINE

└COMP┐

- *Internal triggering* will be most commonly used because it requires only one signal (the input signal) to obtain stable triggering.
- *External triggering*. When tracing many signals it is advantageous to use an external signal for triggering. There is no need to set and reset the trigger controls (LEVEL, SLOPE and SOURCE) on changing the input signal. Furthermore the two A and B inputs remain free for examining waveforms.
- *Selection of trigger source*. In comparing waveforms that are a multiple of each other's frequency, always select the signal, that has the lowest repetition rate as the trigger source. Not doing so may lead to double pictures (chopped mode) or untrue time-shifts (alternate mode).
- *Composite triggering*. With internal triggering signals are obtained from either the A channel, the B channel preamplifier stages or, when COMP is selected by depressing both A and B pushbuttons, from the delay line driver stage that follows the electronic channel switch.

Composite triggering offers three advantages:

1. In differential mode (A – B measurements) triggering is derived from the differential signal. Triggering is not disturbed by common mode signals.
2. For one channel operation it is not necessary to switch trigger sources from A to B or vice versa.
3. In the alternate mode, it is possible to compare signals that are not related in time.

*Note: When composite triggering is employed in dual channel operation (chopped or alternate), and there is only one signal applied (to A or B input), stable triggering cannot be obtained. This is only normal since the trigger source is also switched from A to B (see Fig. 2.5).*

- *Line (mains) triggering* is useful when the signal input is mains (line) frequency related.

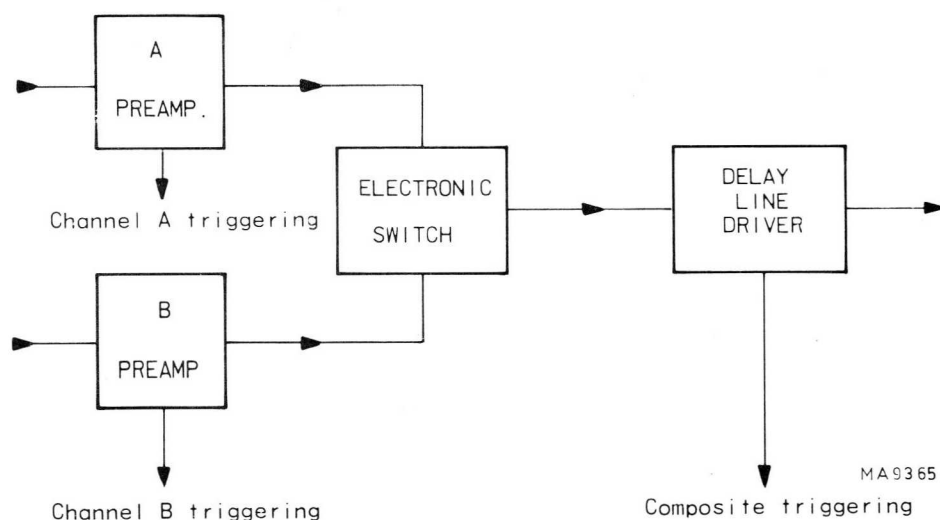


Fig. 2.5. Block diagram of composite trigger circuit

### 2.3.9 XY Measurements

XY measurements are made with the TIME/DIV switch at X DEFL, the source of horizontal deflection being selected by the EXT X DEFL or TRIG pushbutton switch (A, B, EXT or LINE).

XY measurements provide a useful means of making frequency or phase shift comparisons by displaying Lissajous patterns.

Measurements can be made up to 100 kHz with less than  $3^\circ$  phase error between oscilloscope channels.

The sensitivity for the different XY modes is shown in the following table:

X DEFL.	SENSITIVITY
A	AMPL/DIV A $\pm$ 10%
B	AMPL/DIV B $\pm$ 10%
EXT	0.5 V/div $\pm$ 10%
LINE	8 divisions at nominal line voltage

### 2.3.10 Using the Delayed time base

The delayed time base can be used for the accurate study of complex signals. The delayed time base generator starts (TIME/DIV switch not at OFF) after the selected delay time and the delayed signal is intensified when the MTB pushbutton of the horizontal deflection controls has been selected.

The DELAY TIME potentiometer control enables the intensified portion to be shifted along the time axis. The duration of the intensified portion, its length, can be controlled in steps and continuously by means of the TIME/DIV controls of the delayed time base generator. When pushbutton DTB of the horizontal deflection controls is depressed, the intensified portion occupies the full width of the screen.

In the DTB position, the delay time (i.e. the interval between the starting points of the main time base and that of the delayed time base) is determined by the setting of the main time base TIME/DIV controls and the DELAY TIME control. The PM 3214 is equipped with display switching. This offers the instrument user a simultaneous display of the signal on the two time scales provided by the main time base and by the delayed time base.

By selecting ALT TB, detailed examination of a certain portion of the main time base display is enabled by expanding the time interval of interest, using the delayed time base.

Expansion is achieved by selecting a correspondingly faster sweep for the delayed time base TIME/DIV control and positioning the time interval by the DELAY TIME potentiometer.

The part of the signal under detailed observation by the delayed time base also remains as an intensified portion of the main time base display. This not only facilitates the location of the required detail during dialling, but also serves as a visual indication of the portion of the overall trace being examined. Selection of ALT TB thus enables immediate correlation of the detail with the overall signal, which may be extremely complex, without the need to switch between MTB and DTB.

# Bedienungsanleitung

# 1. Allgemeines

## 1.1 EINLEITUNG

Der 25 MHz Zweikanal-Oszillograf PM3214 ist ein leichtes Kompaktgerät. Er ist ergonomisch konstruiert und besitzt vielseitige Messmöglichkeiten. Der Oszillograf ist mit einer Hauptzeitablenkung und einer verzögerten Zeitablenkung ausgerüstet mit Möglichkeit für alternierende Darstellung der Zeitmassstäbe, sowie solche Möglichkeiten wie Spitzenwert-Autotriggerung, Wechselspannungs- und Gleichspannungs triggerung sowie TV-Triggerung.

Ein grosser 8 x 10 cm Bildschirm mit Innenraster und einer Beschleunigungsspannung von 10 kV ergeben eine sehr helle Schreibspur und wohl-definierter Leuchtfleck.

Ein doppelt isolierte Stromversorgung erlaubt direkten Anschluss der Geräte-Erde an erdfreie Schaltungen, vorausgesetzt diese Mess-Erde führt keine Berührungsgefährlichen Spannungen. Interferenzen durch Erdströme, wie sie häufig bei geerdeten Oszillografen vorkommen werden auch wesentlich reduziert.

Der Einsatz des Oszillografen im Freien wird durch wahlweisen Batteriebetrieb erleichtert.

**Warnung:** Die Geräte-Erde (und die Messkopf-Erdleitung) darf nicht mit berührungsgefährlichen Spannungen verbunden werden.

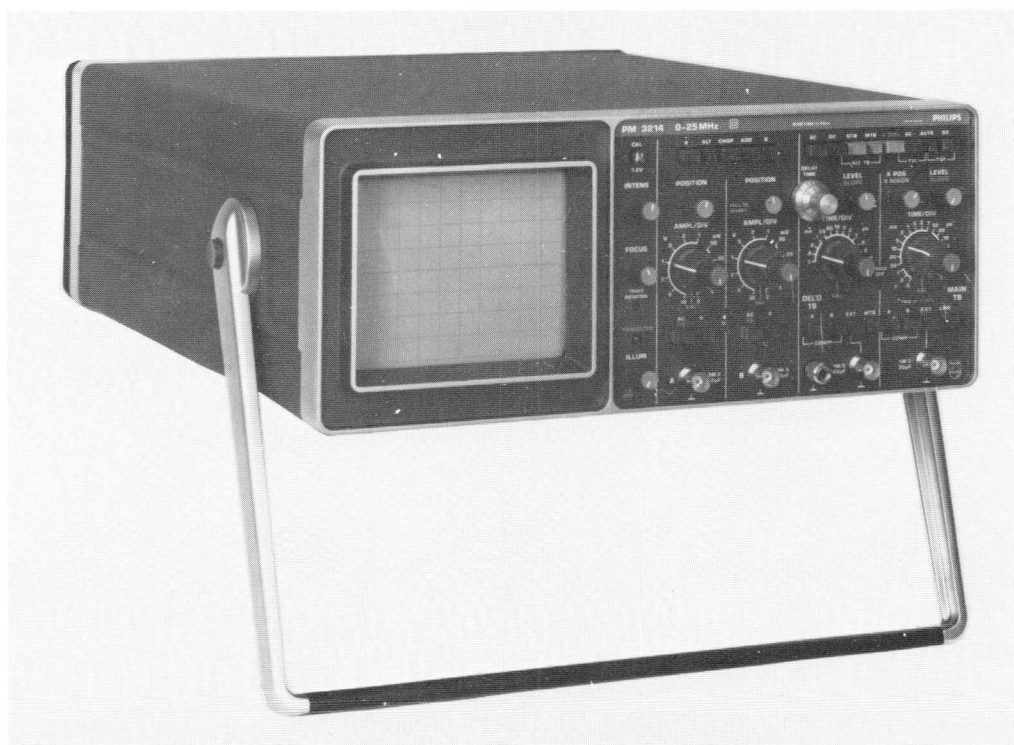


Fig. 1.1 25 MHz Zweikanal-Oszillograf PM 3214

## 1.2 TECHNISCHE DATEN

Zahlenwerten mit Toleranzangaben werden bei Umgebungstemperaturen von +5 °C ... +40 °C garantiert, falls nicht anders angegeben. Zahlenwerte ohne Toleranzangaben sind Durchschnittswerte und dienen nur zur Information

<i>Bezeichnung</i>	<i>Beschreibung</i>	<i>Nähere Angaben</i>
<b>1.2.1 Elektronenstrahlröhre</b>		
Typ	D14-125GH/08	Rechteckiger Schirm mit Netzelektrode und Nachbeschleunigung, metallhinterlegter Leuchtschirm
Ausnutzbare Bildschirmfläche	8 x 10 Teile	1 Teil entspricht 1 cm
Bildschirmtyp	P31 (GH)	P7 (GM) auf Wunsch lieferbar
Gesamtbeschleunigungsspannung	10 kV	
Raster	Innenraster	Stufenlos einstellbare Rasterbeleuchtung
Einteilung	Zentimetereinteilung mit Untereinteilung von 2 mm an den mittleren Achsen. Gestrichelte Linien bei 10 % und 90 % des Messrasters, zur Messung von Anstiegszeiten	
<b>1.2.2 Vertikale oder Y-Achse</b>		
Darstellungsarten	Kanal A allein Kanal B allein A und B zerhackt A und B alternierend A und B addiert	
Kanal B Polarität	Normal oder invertiert	
Frequenzbereich	0 ... 25 MHz (-3 dB) 2 Hz ... 25 MHz (-3 dB)	Gleichspannungskopplung Wechselspannungskopplung
Anstiegszeit	≤ 14 ns	
Impulsverformungen	≤ ± 3 % (≤ 4 % Spitze-Spitze)	Gemessen bei 8 Teilen Bildhöhe mit einer Anstiegszeit von ≥ 1 ns
Ablenkkoeffizienten	2 mV/Teil ... 10 V/Teil	1-2-5-Folge
Stufenloser Einstellbereich	1 : ≥ 2,5	
Fehlergrenze der Ablenkung	± 3 %	
Eingangsimpedanz	10 Mohm//20 pF	
Zeitkonstante der Eingangsschaltung	0,1 S	Kopplungsschalter auf AC
Maximal zulässige Eingangsspannung	400 V	Gleichspannung + Spitzenwert einer Wechselspannung
Zerhackerfrequenz	≈ 500 kHz	
Verschiebungsbereich	16 Teile	
Dynamischer Bereich	24 Teile	
Sichtbare Signalverzögerung	≥ 40 ns	
Gleichtakterdrückung in A-B Betrieb	≥ 40 dB bei 1 MHz	Nach Einstellung bei Gleichspannung oder niedrigen Frequenzen



Übersprechen zwischen Kanälen	-40 dB oder besser bei 10 MHz
Temperaturdrift	0,3 Teil/Stunde

### 1.2.3 Horizontale oder X-Achse

Horizontalablenkung lässt sich entweder von der Hauptzeitbasis oder der verzögerten Zeitbasis oder von einer Verbindung der beiden erreichen, oder aber von der für X-Ablenkung gewählten Signalquelle. In einem solchen Fall erhält man X-Y Oszillogramme unter Verwendung von A, B, dem externen Eingangsanschluss, oder dem Netz als Signalquelle für Horizontalablenkung.

#### Darstellungsweisen

- Hauptzeitablenkung
- Hauptzeitablenkung aufgehellt durch verzögerte Zeitablenkung
- Hauptzeitablenkung und verzögerte Zeitablenkung alternierend dargestellt
- Verzögerte Zeitablenkung
- XY-Betrieb

#### X-Ablenkung durch:

- Kanal A Signal
- Kanal B Signal
- Signal über EXT Anschluss der Hauptzeitablenkung
- Signal mit Netzfrequenz

### 1.2.4 Hauptzeitablenkung

Betriebsart	Automatisch	Automatischer Freilauf bei Abwesenheit von Triggersignalen möglich
	Getriggert	
Zeitmassstäbe	0,5 S/Teil ... 0,2 $\mu$ S/Teil	1-2-5-Folge
Stufenloser Einstellbereich	1 : $\geq$ 2,5	
Fehlergrenze des Zeitmassstabes	$\pm$ 3 %	
Dehnung	10x	
Fehlergrenze der Dehnung	$\pm$ 2 %	
Kürzester Zeitmassstab	20 nS/Teil	

### 1.2.5. Verzögerte Zeitablenkung

Betriebsart	Verzögerte Zeitablenkung startet entweder sofort nach Ablauf der Verzögerungszeit, oder ist nach Ablauf der Verzögerungszeit von der gewählten Triggerquelle der verzögerten Zeitablenkung triggerbar	
Zeitmassstäbe	1 mS/Teil ... 0,2 $\mu$ S/Teil	1-2-5-Folge
Stufenloser Einstellbereich	1 : $\geq$ 2,5	
Fehlergrenze des Zeitmassstabes	$\pm$ 3 %	
Verzögerungszeit	In Stufen regelbar mit Hauptzeitablenkungsschalter. Stufenlos regelbar zwischen 0x und 10x der Zeitmassstab der Hauptzeitablenkung mit Helipotentiometer	
Inkrementale Genauigkeit der Verzögerungszeit	0,5 %	
Verzögerungszeitjitter	1 : $\geq$ 20 000	

**1.2.6 X-Ablenkung**

Quelle	A, B, EXT oder LINE (Netz)	Je nach Einstellung des Triggerquellenschalters, wenn die X DEFL Drucktaste eingedrückt ist
Ablenkkoeffizienten	A oder B: wie eingestellt mit AMPL/DIV Schalter EXTERNAL: 0,5 V/Teil LINE: 8 Teile	
Fehlergrenze der Ablenkung	$\pm 10\%$ in A oder B	
Frequenzbereich	Gleichspannungsgekoppelt 0 ... 1 MHz	-3 dB Bandbreite über 6 Teile
Phasenverschiebung	$\leq 3^\circ$ bei 100 kHz	
Dynamischer Bereich	24 Teile	Für Frequenzen $\leq 100$ kHz

**1.2.7 Triggerung der Hauptzeitablenkung**

Quelle	Kanal A, Kanal B, zusammengesetzt, extern und Netz	
Triggerungsart	Automatisch, normal Wechselspannung, normal Gleichspannung, TV-Zeile und TV-Bild	
Triggerempfindlichkeit	Intern : 1,0 Teil Extern : $0,5 V_{SS}$	
Triggerfrequenzbereich	AUTO : 20 Hz ... $\geq 50$ MHz AC : 50 Hz ... $\geq 50$ MHz DC : 0 Hz ... $\geq 50$ MHz	
Pegelbereich	AUTO : Proportional dem Spitzewert des Trigger-Signals AC, DC : 16 Teile bei interner Triggerung und 8 V bei externer Triggerung	
Triggerflanke	Positiv oder negativ gehend	
Eingangsimpedanz	1 Mohm//20 pF	
Maximal zulässige Eingangsspannung	400 V	Gleichspannung + Spitzenwert einer Wechselfspannung

**1.2.8 Triggerung der verzögerten Zeitablenkung**

Quelle	Kanal A, Kanal B, zusammengesetzt und extern	
Die übrigen Eigenschaften sind die gleichen wie bei 'Triggerung der Hauptzeitablenkung', ausgenommen TV-Triggerung.		

**1.2.9 Kalibriergenerator**

Ausgangsspannung	$1,2 V_{SS}$	Rechteckspannung
Fehlergrenze	$\pm 1\%$	
Frequenz	$\approx 2$ kHz	

**1.2.10 Stromversorgung**

<i>Wechselspannungsversorgung</i>	Doppelt isoliert	Schutzklasse II, IEC348
Nominaler Spannungsbereich (am Netzspannungsumschalter)	110, 127, 220, oder 240 V, Wechselspannung $\pm 10\%$	
Nominaler Frequenzbereich	50 ... 400 Hz $\pm 10\%$	
Leistungsaufnahme	30 W max.	Bei Netz-Nennspannung
<i>Gleichspannungsversorgung</i>		
Spannungsbereich	22 ... 27 V Gleichspannung	Erdfreier Eingang
Stromaufnahme	1,1 A max.	

**1.2.11 Umgebungsbedingungen**

Die Umgebungsdaten gelten nur wenn das Gerät gemäss den offiziellen Prüfverfahren kontrolliert wird. Einzelheiten betreffend diese Verfahren sowie Funktionsstörungskriterien sind auf Anfrage bei der PHILIPS-Organisation Ihres Landes oder bei N.V. PHILIPS' GLOEILAMPENFABRIEKEN, ABTEILUNG TEST- UND MESSGERÄTE, EINDHOVEN, HOLLAND erhältlich.

Umgebungstemperatur	+5 °C ... +40 °C -10 °C ... +55 °C -40 °C ... +70 °C	Nominaler Betriebsbereich Zugelassener Betriebsbereich Lagerung und Transport
Feuchtigkeit	Entspricht den IEC68Db Bedingungen	
Stossfestigkeit	1000 Stösse je 10 g, ½ Sinus, Dauer 6 mS in jeder der drei Richtungen	
Vibration	30 Minuten in jeder der drei Richtungen, 10-150 Hz, 0,7 mm Spitze-Spitze und 5 g Maximal- beschleunigung	
Höhe	5000 m (475 mbar) 15000 m (100 mbar)	Betriebsfähig Nicht betriebsfähig
Erholungszeit	30 Minuten wenn die Temperatur des Gerätes von -10 auf +20 °C erhöht wird, bei 60 % relativer Luftfeuchtigkeit	
Elektromagnetische Interferenz	Das Gerät entspricht den Anforderungen gemäss VDE Störgrad K	

**1.2.12 Mechanische Daten**

Länge	420 mm	
Breite	330 mm	
Höhe	150 mm	Einschliesslich Füsse
Gewicht	≈ 8,4 kg	

### 1.3 ZUBEHÖR

#### 1.3.1 Standardzubehör (mitgeliefert)

Abdeckhaube  
Zwei BNC – 4 mm Übergangsstecker

#### 1.3.2 Wahlzubehör

Passiver 1:1 Messkopf	PM 9335 (L)
Passiver 10:1 Messkopf	PM 9336 (L), PM 9350 (L), PM 9351 (L)
Passiver 100:1 Messkopf	PM 9358
Miniatur FET-Messkopf	PM 9352
FET-Messkopf	PM 9353
Strom-Messkopf	PM 9355
Messkopfspeisung	PM 9346
Oszillograf-Rolltisch	PM 8991
Polaroidfilter	PM 8910
Lichtschutztubus	PM 9366
Langer Lichtschutztubus	PM 8980
Oszillografenkamera	PM 9380
Adapter für PM 9380	PM 8971
19" Gestelleinbau	PM 8962
Zubehörtasche	PM 8992
Batteriespeisung	PM 8901

## 2. Gebrauchsanleitung

### 2.1 INBETRIEBNAHME

#### 2.1.1 Sicherheitsvorschriften (den IEC 348 Bedingungen entsprechend)

Vor Anschluss des Geräts ist eine Sichtkontrolle des Geräts vorzunehmen, um festzustellen ob das Gerät möglicherweise während des Transports beschädigt wurde. Wenn irgend welche Defekte wahrgenommen werden darf das Gerät nicht an das Netz angeschlossen werden.

Vor Wartungs- oder Reparaturarbeiten ist das Gerät von allen Stromquellen zu trennen und müssen alle Hochspannung führenden Teile entladen sein. Wenn danach eine Kalibrierung, Wartung oder Reparatur am geöffneten Gerät unter Spannung unvermeidlich ist, so darf das nur durch eine Fachkraft, die die damit verbundenen Gefahren kennt, geschehen. In Normalbetrieb erübrigt die doppelte Isolierung der Stromversorgung die Notwendigkeit einer Schutz Erde.

**WARNUNG:** Es ist zu beachten dass bei allen Messungen die Gehäuseerde die gleiche Spannung wie die Messköpferde erreicht.  
Weder die Messköpferleitung noch die Gehäuseerde dürfen mit berührungsgefährlichen Spannungen verbunden werden.

#### 2.1.2 Örtlicher Netzanschluss und Sicherung

Vor dem Anschliessen an das Netz ist zu prüfen, ob das Gerät für die örtliche Netzspannung eingestellt ist. Das Gerät wird eingestellt auf 220 V geliefert. Falls das Gerät mit einem 110 V, 127 V oder 240 V Netz verwendet wird, ist die geeignete Netzspannung mit Hilfe des Spannungsumschalters an der Geräterückwand so einzustellen dass er die erforderliche Spannung anzeigt (siehe Abb. 2.1.).

Das Gerät ist durch eine zwischen den Wicklungen des Netztransformators angebrachte Thermosicherung gegen Überlastungen geschützt.

Die Sicherung lässt sich nach Abnahme der Gehäuserückwand ersetzen (siehe Abschnitt 3.2.).

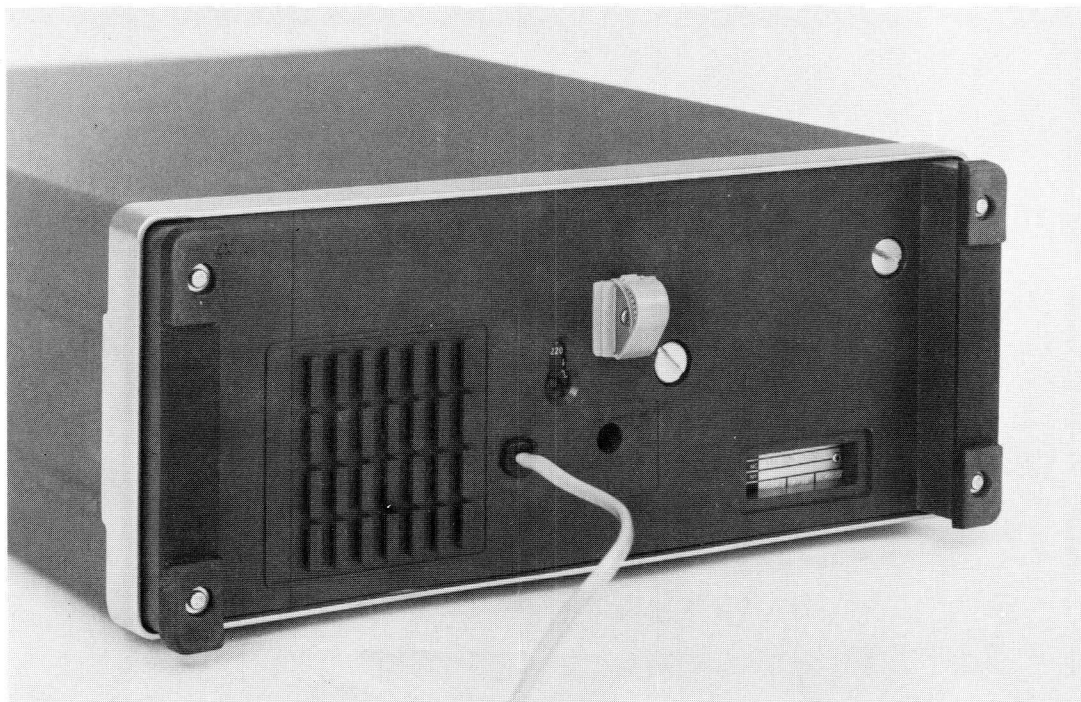


Fig. 2.1. Rückansicht des Oszillografen mit Spannungsumschalter in 220 V Stellung

### 2.1.3 Anschluss an eine externe Stromversorgung

Eine externe Stromversorgung oder eine 22 V bis 27 V Batterie die zumindest 1 A liefern kann lässt sich an die Buchse an der Geräterückwand anschliessen.

Der Innenleiter muss an den Minuspol und der Aussenleiter an den Pluspol angeschlossen werden, wie an der Rückwand angegeben. Gegen Überlastungen und Polaritätswechsel ist das Gerät durch eine interne Sicherung und Diode geschützt.

### 2.1.4 Abdeckhaube und Betriebslage

Die Abdeckhaube lässt sich auf eine einfache Weise durch Ziehen von der Gerätefront abnehmen. Das Gerät darf in waagrecht Lage oder mit Gebrauch des Tragsbügels als Kippbügel in verschiedenen Schrägstellungen aufgestellt werden. Um den Tragsbügel zu entriegeln, gleichzeitig die beiden Lagerzapfenknöpfe eindrücken.

## 2.2 BEDIENUNGSELEMENTE UND BUCHSEN (Siehe Abb. 2.2)

### 2.2.1 Elektronenstrahlröhre und POWER-Einstellelemente

ILLUM	Stufenlose Einstellung der Rasterbeleuchtung; zugleich Netzschalter.
POWER ON	Signallampe zeigt Betriebszustand (ON) an.
INTENS	Stufenlose Einstellung der Bildhelligkeit.
FOCUS	Stufenlose Einstellung zur Fokussierung des Elektronenstrahls.
TRACE ROTATION	Schraubenziehereinstellung zur Ausrichtung der Schreibspur mit den horizontalen Rasterlinien.

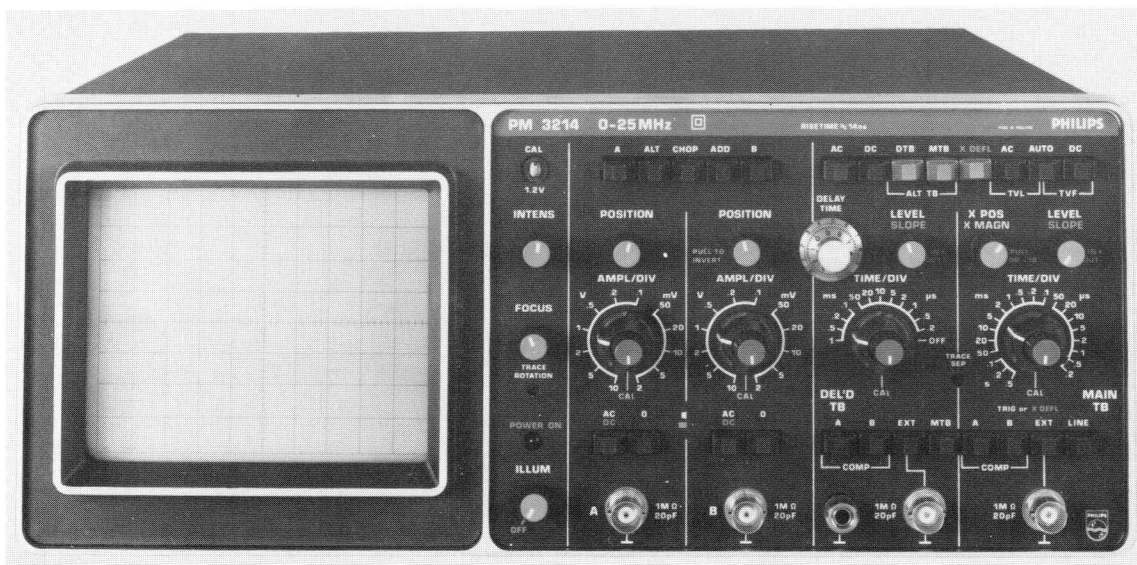


Fig. 2.2. Vorderansicht des Oszillografen mit Bedienungsorganen und Buchsen

## 2.2.2 Vertikale Kanäle

### Darstellungsart-Schalter

### Funktion

Fünffacher Druckknopfschalter zur Einstellung der Darstellungsarten. Wird keine Drucktaste betätigt, dann ist Betriebsart ALT eingeschaltet.

A	Vertikalablenkung durch ein an Eingang von Kanal A gelegtes Signal.
ALT	Das Bild wird am Ende jedes Zyklus des Zeitablenksignals von einem Vertikalkanal auf den anderen umgeschaltet.
CHOP	Das Bild wird mit einer Festfrequenz von einem Vertikalkanal auf den anderen umgeschaltet ( $f \approx 500$ kHz).
ADD	Vertikalablenkung durch die Summe der Signale von Kanal A und B.
B	Vertikalablenkung durch ein an Eingang von Kanal B gelegtes Signal.
POSITION	Stufenlose Einstellung der vertikalen Verschiebung des Bildes.
PULL TO INVERT B	Zug-Druck Schalter kombiniert mit dem POSITION Schalter von Kanal B. Wenn gezogen wird die Kanal B Signalpolarität umgekehrt.
AMPL/DIV (Aussenknopf)	Stufenweise Einstellung der Vertikalablenkkoeffizienten, von 2 mV/div bis zu 10 V/div in 1 – 2 – 5 Folge.
AMPL/DIV (Mittelknopf)	Stufenlose Einstellung der Vertikalablenkkoeffizienten. Es ist zu beachten dass der Ablenkkoeffizient nur dann kalibriert ist wenn der Mittelknopf in Stellung CAL (ganz nach rechts) steht.

### Eingangskopplungsschalter

Signalkopplung; Zweiweg Druckknopfschalter

AC (eingedrückt)

Kopplung über einen Sperrkondensator

DC (ausgelöst)

Direkte Kopplung

0 (eingedrückt)

Verbindung zwischen Eingangsschaltung und Eingangsbuchse unterbrochen und Eingangsschaltung geerdet.

A (1 Mohm//20 pF)

BNC-Buchse für Kanal A Eingang

B (1 Mohm//20 pF)

BNC-Buchse für Kanal B Eingang

## 2.2.3 Horizontaler Kanal

### X-Ablenkungsquellenschalter

### Funktion

DTB – MTB – X DEFL

Einstellung der Horizontalablenkung; 3-fache Drucktaste

└─ALT TB─┘

DTB eingedrückt

Die Horizontalablenkspannung wird vom verzögerten Zeitablenkgenerator geliefert

MTB eingedrückt

Die Horizontalablenkspannung wird vom Hauptzeitablenkgenerator geliefert. Ein Teil der Darstellung wird aufgehellt wenn der verzögerte Zeitablenkgenerator läuft. In Stellung OFF des DTB TIME/DIV Schalters ist der verzögerte Zeitablenkgenerator ausgeschaltet. Ist keine Taste eingedrückt so gilt Einstellung MTB, aber das MTB LEVEL potentiometer wirkt nicht

DTB – MTB

Wenn die Tasten DTB und MTB zugleichzeitig eingedrückt werden wird die Horizontalablenkspannung alternierend vom verzögerten und Hauptzeitablenkgenerator geliefert

└─ALT TB─┘

X DEFL eingedrückt

In diese Stellung wird die Horizontalablenkung vom Schalter A–B–EXT–LINE bestimmt

X POS

Stufenlose Einstellung der horizontalen Lage des Bildes; einbezogen ein Zug-Druck für 10-fache Dehnung der Horizontalablenkung. Die Dehnung kann auch bei externen X-Ablenssignalen verwendet werden

X MAGN

TRACE SEP

Stufenlose Einstellung der vertikalen Distanz zwischen den beiden zeitablenkungsdarstellungen in Darstellungsart ALT. TB.



### 2.2.4 Hauptzeitablenkgenerator

LEVEL  
SLOPE (IN +, OUT -)

Stufenlose Einstellung des Triggerpegels bei welchem der Zeitablenkgenerator startet. Diese Einstellung ist gekoppelt mit einem Zug-Druckschalter zur Triggerungswahl auf der positiv oder negativ gerichteten Flanke des Triggersignales. In TV muss - für negative Videosignale eingestellt werden und + für positive Videosignale

#### Triggerungsartenschalter

AC - AUTO - DC  
└ TVL ┘ └ TVF ┘

#### Funktion

Fünffache Drucktaste zum Einstellen der Triggerungsarten. Wenn keine der Drucktasten betätigt ist, dann ist Betriebsart AUTO gewählt und der LEVEL Bereich auf einen festen Wert eingestellt

AUTO gedrückt

Ein Bild ist sichtbar auch wenn keine Triggersignale vorhanden sind. Der Bereich der LEVEL Einstellung ist proportional dem Spitze-Spitze Wert des Triggersignals

AC eingedrückt

Normale Triggerung und fester Bereich der LEVEL Einstellung. Gleichspannungskomponente des Triggersignals ist gesperrt

DC gedrückt

Normale Triggerung und fester Bereich der LEVEL Einstellung. Gleichstromkomponente des Triggersignals wird durchgelassen

AC AUTO eingedrückt  
└ TVL ┘

Triggerung auf Zeilensynchronisationsimpulsen eines Fernsehsignals (AC und AUTO eingedrückt)

AUTO DC  
└ TVF ┘

Triggerung auf Bildsynchronisationsimpulsen eines Fernsehsignals (AUTO und DC eingedrückt)

#### Quellenschalter für Triggerung und X-Ablenkung

A - B - EXT - LINE  
└ COMP ┘

#### Funktion

Vierfache Drucktaste zur Wahl der Triggerquelle oder der Horizontalablenkungsquelle wenn Taste X DEFL gedrückt ist. Wenn keine dieser Tasten eingedrückt ist wird Quelle A gewählt

A gedrückt

Signal wird Kanal A entnommen

B gedrückt

Signal wird Kanal B entnommen

A B  
└ COMP ┘

Wenn die Tasten A und B zugleichzeitig eingedrückt werden, wird das Signal jenem Kanal entnommen, der mit dem elektronischen Schalter durchverbunden ist (nicht wirksam wenn Taste X DEFL eingedrückt ist)

EXT eingedrückt

Externes Signal wie an die angrenzende 1 Mohm//20 pF Buchse gelegt

LINE eingedrückt

Signal von der Netzspannung (Nicht Wirksam wenn das Gerät batteriebetrieben ist)

TIME/DIV (Aussenknopf)

Einstellung des Zeitmassstabes von .2  $\mu$ S bis .5 S/Teil in 1-2-5-Folge

TIME/DIV (Mittelknopf)

Stufenlose Einstellung des Zeitmassstabes. Muss in Stellung CAL stehen (d.h. völlig nach rechts) damit die Zeitachse gemäss der Anzeige des Schalters TIME/DIV kalibriert ist

1M $\Omega$  - 20 pF

BNC Buchse für externe Triggerung oder Horizontalablenkung.

### 2.2.5 Verzögerter Zeitablenkgenerator

LEVEL  
SLOPE (IN +, OUT -)

Stufenlose Einstellung über einen festen Bereich des Triggerpegels bei welchem der verzögerte Zeitablenkgenerator startet. Diese Einstellung ist gekoppelt mit einem Zug-Druckschalter zur Triggerungswahl auf der positiv oder negativ gerichteten Flanke des Triggersignales.

#### Triggerungsartenschalter

AC - DC

#### Funktion

Zweifache Drucktaste zur Einstellen der Triggerungsarten.

AC gedrückt	Normale Triggerung und fester Bereich der LEVEL Einstellung. Gleichspannungskomponente des Triggersignals ist gesperrt
DC gedrückt	Normale Triggerung und fester Bereich der LEVEL Einstellung. Gleichspannungskomponente des Triggersignals wird durchgelassen
DELAY TIME	Stufenlose Einstellung der Verzögerungszeit; wirkt zusammen mit der TIME/DIV Einstellung des Hauptzeitablenkgenerators
<i>Triggerquellenschalter</i>	<i>Funktion</i>
A — B — EXT — MTB └COMP┘	Vierfache Drucktaste zur Wahl der Triggerquelle und des Anfangspunktes des verzögerten Zeitablenkgenerators. Wenn keine dieser Tasten eingedrückt ist wird Quelle MTB gewählt
A gedrückt	Triggersignal wird Kanal A entnommen
B gedrückt	Triggersignal wird Kanal B entnommen
A B └COMP┘	Wenn die Tasten A und B zugleichzeitig eingedrückt werden, wird das Signal jenem Kanal entnommen der mit dem elektronischen Schalter durchverbunden ist. Triggerung auf das dargestellte Signal nach Ablauf der gewählten Verzögerungszeit
EXT eingedrückt	Triggerung auf externes Signal wie an die angrenzende 1 Mohm//20 pF Buchse gelegt
MTB eingedrückt	Triggersignal wird dem Hauptzeitablenkgenerator entnommen und startet den verzögerten Zeitablenkgenerator sofort nach Ablauf der gewählten Verzögerungszeit
TIME/DIV (Aussenknopf)	Einstellung des Zeitmassstabes von 2 $\mu$ S/DIV bis 1 mS/DIV in 1-2-5 Folge
TIME/DIV (Mittelknopf)	Stufenlose Einstellung des Zeitmassstabes. Muss in Stellung CAL stehen (d.h. völlig nach rechts) damit die Zeitachse gemäss der Anzeige des Schalters TIME/DIV kalibriert ist
1M $\Omega$ — 20pF	BNC Buchse für externes Triggersignal
<b>2.2.6</b> <b>Verschiedenes</b>	
CAL	Ausgangsbuchse an der eine Rechteckspannung von 1,2 V <sub>S-S</sub> $\pm$ 1% zur Verfügung steht für Tastkopfkompensation und/oder Prüfung der Vertikalablenkgenauigkeit
DC POWER IN	Eingangsbuchse an der Rückseite des Geräts gestattet Betrieb mit einer externen Gleichspannung. Spannungsbereich 22 — 27 V, Stromabgabe > 1 A
Netzspannungswähler	Ist vor dem Anschluss an das örtliche Netz, den in Abschnitt 2.1.2 gegebenen Angaben entsprechend einzustellen.

## 2.3 BEDIENUNGSANLEITUNG

### 2.3.1 Einschalten des Geräts

Vor Anschluss des Geräts an eine Stromquelle sind die in Abschnitt "Inbetriebnahme" gegebenen Anleitungen genauestens auszuführen.

Das Gerät wird normalerweise nach einer Anwärmzeit von etwa 15 Minuten den Spezifikationen (siehe Abschnitt 1.2) entsprechen. Wenn das Gerät jedoch grosser Kälte ausgesetzt war (z.B. unter Frostbedingungen nachts im Auto gelassen) und danach in einen warmen Raum gebracht wird, ist eine Anwärmzeit von etwa einer halben Stunde einzuhalten (siehe Abschnitt 1.2.11).

### 2.3.2 Vorbereitende Einstellungen

Mit diesem Verfahren lässt sich feststellen ob der Oszillograf ordnungsgemäss funktioniert und es ergibt einen tauglichen Ausgangspunkt für den Beginn von Messungen.

Siehe Abb. 2.2. bezüglich der Lage der Bedienelemente. Bringe die Einsteller INTENS und FOCUS in Mittelstellung. Taste AUTO drücken und mit Schalter TIME/DIV einen durchschnittlichen Zeitkoeffizienten zwischen  $10 \mu\text{s}/\text{div}$  und  $10 \text{ms}/\text{div}$  wählen. Mit allen übrigen Drucktasten in Normalstand (nicht gedrückt) lassen sich die Schreibstrahlspuren von Kanal A und Kanal B mit dem entsprechenden Einsteller POSITION auf dem Bildschirm darstellen.

Mit Bedienelement INTENS eine mittlere Bildhelligkeit und mit FOCUS eine gute Strahlfokussierung einstellen.

### 2.3.3 Eingangskopplung (AC/DC, 0)

**AC-Kopplung** (Drucktaste eingedrückt) dient zum Sperren der Gleichspannungskomponente eines Signals. Die AC Einstellung unterdrückt die Niederfrequenzen, wodurch sinusförmige Signale niedriger Folgefrequenz abgeschwächt werden und Rechtecksignale niedriger Folgefrequenz verformt werden. Der Abschwächungsgrad wird von der Eingangs RC-Zeit (0.1s) bestimmt.

Eingangs RC-Zeit wird 10-fach erweitert wenn 10 : 1 passive Messköpfe verwendet werden.

Wenn auf AC-Kopplung geschaltet wird dauert es etwa fünf Eingangs RC-Zeiten bevor der Strahl auf den Mittelwert des Eingangssignals stabilisiert ist.

AC-Stellung Messungen können nicht gegenüber Erde vorgenommen werden.

In **Stellung 0** wird das Eingangssignal unterbrochen und der Verstärkereingang kurzgeschlossen, dies zur Ermittlung des Nullpegels.

**DC-Kopplung** (Drucktaste normal) ermöglicht Frequenzeingang über den gesamten Bereich, das heisst bis hinab auf Gleichspannung.

### 2.3.4 Anwendung von Messköpfen

1:1 passive Messköpfe sollten nur für Gleichspannung und Niederfrequenzen eingesetzt werden.

Kapazitive Belastung schwächt hohe Frequenzen ab oder erhöht die Anstiegszeit von Messsignalen (abhängig von Quellimpedanz).

10:1 passive Messköpfe besitzen eine kleinere kapazitive Belastung; gewöhnlich etwa 10 pF bis 20 pF.

FET-Messköpfe sind besser, besonders wenn Messungen von Messpunkten mit hoher Impedanz vorgenommen oder an der oberen Frequenzgrenze der Bandbreite des Oszillografen ausgeführt werden sollen.

10:1 passive Messköpfe müssen vor Gebrauch ordnungsgemäss kompensiert werden. Ungenaue Kompensation hat Impulsverformung oder Amplitudenfehler bei hohen Frequenzen zur Folge.

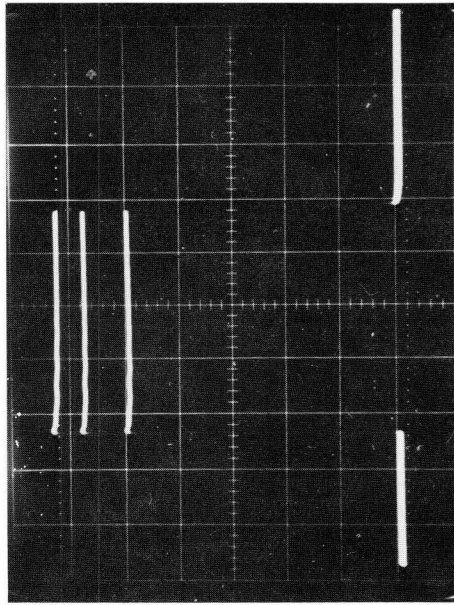
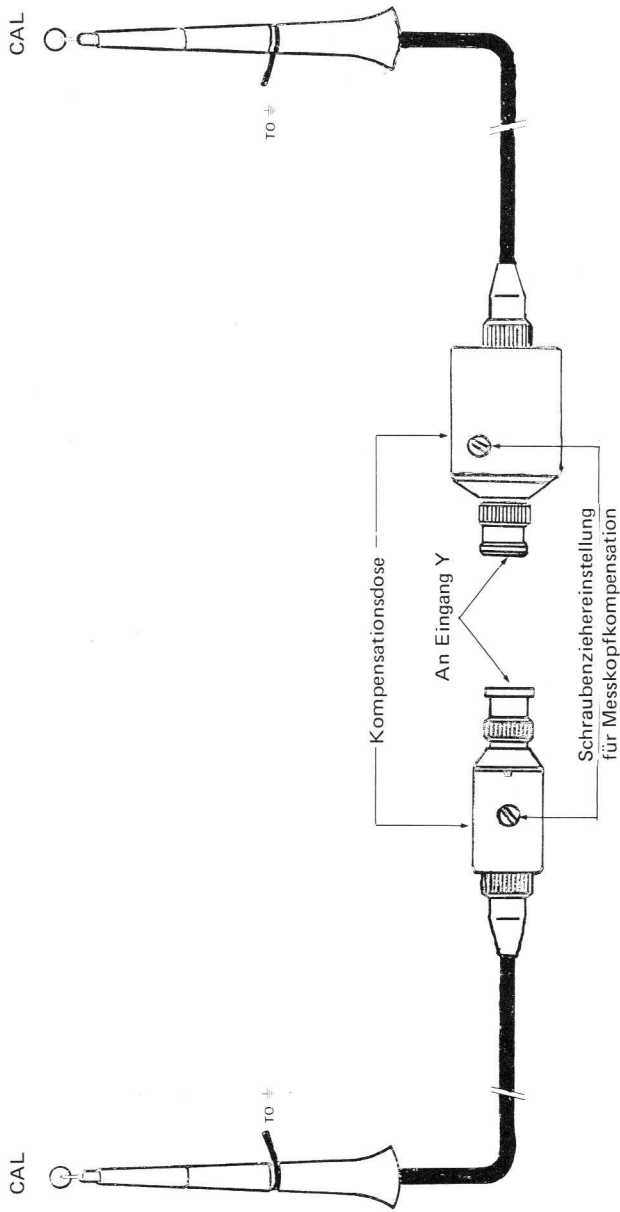
Für genaue Einstellung kann der CAL-Ausgangsanschluss verwendet werden (siehe Abb. 2.3.).

### 2.3.5 Einstellen der geploppten (CHOP) oder der alternierenden (ALT) Darstellungsart

Im Zweikanalbetrieb (CHOP oder ALT eingedrückt) muss für relative lange Ablenkzeiten (von  $.1 \text{ms}/\text{div}$  bis  $.5\text{s}/\text{div}$ ) oder bei vorkommender niedriger Ablenk-Folgefrequenz selbst bei kurzen Ablenkzeiten, die Darstellungsart CHOP verwendet werden (CHOP eingedrückt).

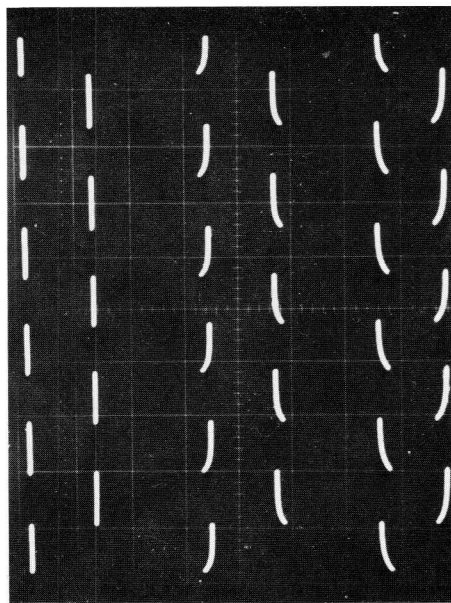
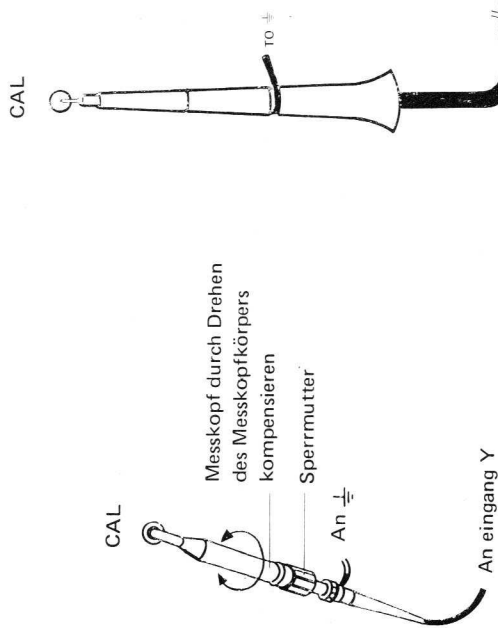
Stellung ALT würde unter diesen Umständen Vergleiche zwischen Signalformen erschweren da sonst die beiden Signale gesondert wahrgenommen würden.

Wenn die Darstellung jedoch schnell genug ist um von der Chopperfrequenz unterbrochen zu werden muss die alternierende Darstellungsart eingestellt werden (ALT eindrücken), gewöhnlich bei Ablenkzeiten schneller als  $.1 \text{ms}/\text{div}$ .



1  $\mu$ s/div

Messkopfkomensation beeinflusst die Amplitude schneller Impulse; von oben nach unten:  
 - richtig kompensiert  
 - überkompensiert  
 - unterkompensiert



.2ms/div

Einfluss auf Rechtecksignal von Ausgang CAL; von oben nach unten:  
 - richtig kompensiert  
 - überkompensiert  
 - unterkompensiert

Fig. 2.3. Die Kompensation von passiven 10:1 Messköpfen und der Einfluss auf Signalformen

### 2.3.6. Differentielle Betriebsart

Betriebsart A – B lässt sich durch Drücken von ADD und Ziehen des Knopfes POSITION von Kanal B einstellen. Bei Messungen wobei Signalleitungen bedeutende Gleichtaktsignale führen (z.B. Brumm) hebt die differentielle Betriebsart diese Signale auf, und lässt den Rest, der von Bedeutung ist, übrig.

Die Fähigkeit des Oszillografen für Unterdrückung von Gleichtaktsignalen ist vom CMR-Faktor gegeben (siehe Abb. 2.4). Um den spezifizierten Grad der Gleichtaktunterdrückung zu erlangen müssen erst die Kanal A und B Verstärkungen ausgeglichen werden. Dies wird durch Anschluss beider Kanäle an den CAL-Ausgang und durch Einstellung eines der stufenlosen Einstellelemente mit dem Schalter AMPL/DIV auf Minimum-Ablenkung am Bildschirm erreicht.

Bei Verwendung von passiven 10:1 Messköpfen ist ein ähnliches Ausgleichsverfahren zu empfehlen und zwar durch ihre Kompensationseinstellung auf Minimum-Ablenkung zu bringen.

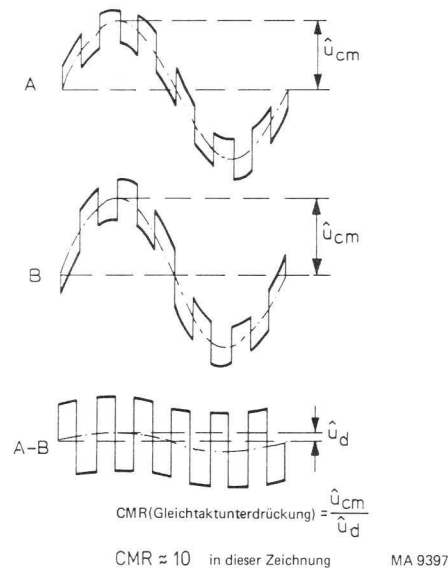


Fig. 2.4. Gleichtaktunterdrückung

### 2.3.7. Einstellen der Triggerart

(AUTO AC DC)  
 L TVL L TVF L

Betriebsart AUTO ist äusserst nützlich, da dabei das Bild stets sichtbar ist, auch wenn keine Triggersignale vorhanden sind. Ausserdem bewirkt diese Betriebsart für eine Signalamplitude die grösser ist als ein Teil (div) eine stabile Triggerung unabhängig von der Stellung des Pegelinstellers LEVEL; ihr Bereich wird automatisch auf den Spitze-Spitzenwert des für Triggerung gewählten Signals eingestellt.

Auf diese Weise wird die LEVEL-Einstellung bei kleinen Amplituden des Triggersignals erleichtert.

Betriebsart AUTO lässt sich für Signale mit niedriger Folgefrequenz (10 Hz oder niedriger) nicht verwenden weil dies freilaufende Ablenkung zwischen Triggerimpulsen ermöglichen würde. Deshalb ist bei Signalen niedriger Folgefrequenz die normale Triggerung anzuwenden (AC oder DC gedrückt).

Bei normaler Triggerung wird die Zeitablenkung nur dann ausgelöst wenn ein Triggersignal angelegt wird und LEVEL entsprechend eingestellt ist.

Mit gedrückten AC oder DC ist der Bereich des Einstellers LEVEL festgesetzt (+ oder – 8 Teile (div.) oder mehr in den äussersten Stellungen von LEVEL, bezogen auf die Bildschirmmitte).

Die Gleichspannungskomponente des Triggersignals lässt sich durch Eindrücken von AC sperren.

Dies ist nützlich wenn bei einem Wechselspannungssignal das einem hohen Gleichspannungspegel überlagert ist getriggert werden soll. Bei AC-Kopplung verändert der Pegel bei welchem die Darstellung beginnt mit Änderungen im Mittelwert des Triggersignals. Dies kann bei Signalformen die im Zeitabstand von Zyklus zu Zyklus variieren Instabilität zur Folge haben. Normalerweise ist Anwendung der DC-Stellung vorzuziehen. Flankenwahl ist mit Drucktaste +/- vorzunehmen. Bei Betriebsart TV ist für negative Videosignale "–" einzustellen und "+" für positive Videosignale. Einsteller LEVEL ist bei Betriebsart TV nicht wirksam. Eine zusätzliche Anwendungsweise wird geboten wenn keine Tasten eingedrückt sind, eine Zeitablenklinie ist am Bildschirm sichtbar während kein Triggersignal vorhanden ist, und der Pegelbereich des Einstellers LEVEL fest ist.

### 2.3.8 Triggerquelle

Die Triggerquelle der Hauptzeitablenkung wird mit den Frontplatte-Drucktasten eingestellt.

A B EXT LINE

└COMP┘

Die Triggerquelle wird mit den Frontplatte-Drucktasten TRIG OR X DEFL eingestellt.

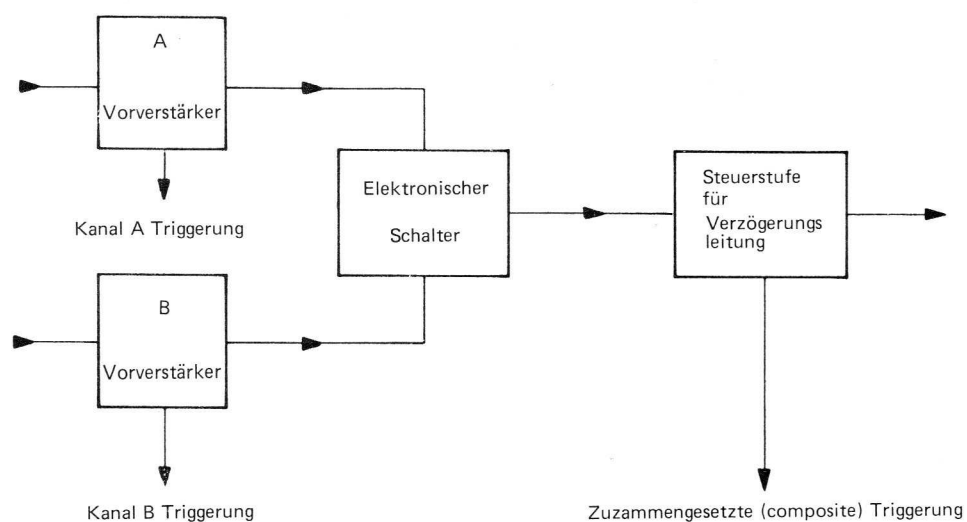
- *Interne Triggerung* ist die im allgemeinen meist angewandte, da sie nur ein Signal erfordert (das Eingangssignal) um stabile Triggerung zu erlangen.
- *Externe Triggerung*. Falls mehrere Signale abgetastet werden, ist es günstig ein externes Signal zur Triggerung zu benutzen. Bei einer Änderung des Eingangssignals ist Einstellung und Neueinstellung der Trigger-Bedienungselemente (LEVEL, SLOPE und SOURCE) nicht nötig. Ausserdem bleiben die beiden Eingänge A und B für Untersuchungen der Signalformen verfügbar.
- *Wahl der Triggerquelle*. Bei Vergleichung von Signalformen die ein Vielfaches ihrer Frequenz sind, immer das Signal mit der niedrigsten Folgefrequenz als Triggersignal wählen. Wenn nicht, könnten Doppelbilder (gechopped) oder falsche Zeitverschiebungen (alternierend) entstehen.
- *Zusammengesetzte (composite) Triggerung*. Bei interner Triggerung werden Triggersignale von entweder dem A-Kanal, den B-Kanal Vorverstärkerstufen oder wenn in Stellung COMP durch Eindrücken der beider Tasten A und B, von der Verzögerungsleitungs-Treiberstufe die dem elektronischen Kanalschalter folgt, erhalten.

Zusammengesetzte Triggerung bietet drei Vorteile:

1. In der differentiellen Betriebsart (A-B Messungen) wird die Triggerung vom Differenzsignal ausgelöst. Die Triggerung wird nicht von Gleichtaktsignalen gestört.
2. Für Einkanal-Betrieb ist es nicht nötig Triggerquellen von A nach B oder umgekehrt zu schalten.
3. In alternierender Betriebsart lassen sich Signale vergleichen, die nicht in zeitlicher Beziehung stehen.

*Bemerkung: Bei Anwendung zusammengesetzter Triggerung in Zweikanalbetrieb (gechopped oder alternierend) und wenn dabei nur ein Signal angelegt ist (an Eingang A oder B), ist stabile Triggerung nicht erlangbar. Das ist nicht ungewöhnlich, da die Triggerquelle auch von A nach B geschaltet wird (siehe Abb. 2.5.).*

- *Netztriggerung* von der 50 Hz Netzspeisung ist nützlich wenn der Signaleingang Netzfrequenz bezogen ist.



MA 9365

Fig. 2.5. Blockschaltbild der zusammengesetzte (composite) Triggerschaltung

### 2.3.9 XY Messungen

Für XY Messungen steht der Schalter TIME/DIV auf X DEFL, die Quelle der Horizontalablenkung wird mit Drucktaste EXT X DEFL oder TRIG (A, B, EXT oder LINE) eingestellt.

XY Messungen ergeben ein zweckmässiges Mittel für Frequenz- oder Phasenverschiebungsvergleiche durch Darstellung mit Lissajous Figuren. Messungen bis zu 100 kHz sind möglich, wobei der Phasenfehler zwischen den Oszillografkanälen geringer als  $3^\circ$  ist.

Nachstehende Tabelle zeigt die Empfindlichkeit der verschiedenen XY-Betriebsarten.

X DEFL	EMPFINDLICHKEIT
A	AMPL/DIV A $\pm$ 10%
B	AMPL/DIV B $\pm$ 10%
EXT	0.5 V/DIV $\pm$ 10%
LINE	8 Teile (divisions) bei Netz-Nennspannung

### 2.3.10 Gebrauch der verzögerten Zeitablenkung

Die verzögerte Zeitablenkung kann zur genauen Beobachtung komplexer Signale verwendet werden. Wenn die Drucktaste MTB des X-Ablenkungsquellenschalters eingedrückt wird, wird die verzögerte Zeitablenkung (wenn der TIME/DIV Schalter nicht in Stellung OFF steht) sofort nach der gewählten Verzögerungszeit ausgelöst und das verzögerte Signal aufgehellt. Mit dem DELAY TIME Einsteller ist dieser aufgehellte Teil über die Zeitachse verschiebbar. Die Zeitdauer des aufgehellten Teils ist mit den Einstellern TIME/DIV des verzögerten Zeitablenkengenerators sowohl stufenweise wie stufenlos einstellbar. Mit Drucktaste DTB des X-Ablenkungsquellenschalters wird der aufgehellte Teil über die gesamte Schirmbreite sichtbar gemacht. In Stellung DTB wird die Verzögerungszeit (das heisst die Zeit zwischen dem Startpunkt der Hauptzeitablenkung und dem Startpunkt der verzögerten Zeitablenkung) bestimmt durch die Einstellungen der Hauptzeitablenkungsregler TIME/DIV und die des DELAY TIME Einstellers.

Der Oszillograf PM 3214 ist mit Darstellungsumschaltung ausgestattet. Dies bietet dem Gebraucher eine gleichzeitige Darstellung des Signals auf den beiden von der Hauptzeitablenkung und von der verzögerten Zeitablenkung gelieferten Zeitskalen.

Die Wahl von ALT TB gestattet ausführliche Betrachtung eines bestimmten Ausschnittes der Hauptzeitbasisdarstellung durch Dehnung des betreffenden Zeitintervalls mit Hilfe der verzögerten Zeitablenkung.

Die Zeitdehnung wird durch Wahl einer entsprechend schnelleren Ablenkung für den Steller TIME/DIV der verzögerten Zeitablenkung und durch Positionierung des Zeitintervalls mit Potentiometer DELAY TIME erlangt. Jenes Signalteil dass mit Hilfe der verzögerten Zeitablenkung ausführlich betrachtet wird, bleibt auch als aufgehellter Ausschnitt der Hauptzeitbasisdarstellung sichtbar. Dies erleichtert nicht nur die Standortermittlung der gewünschten Einzelheit beim Suchen, sondern dient auch als Sichtanzeige jenes Ausschnittes der Gesamtleuchtpur der für den Beobachter von Interesse ist. Folglich gestattet die Einstellung ALT TB sofortige Korrelation des Signalausschnitts mit dem Gesamtsignal, welches äusserst kompliziert sein kann, ohne dass dabei zwischen MTB und DTB geschaltet werden muss.

# Notice d'emploi



# 1. Généralités

## 1.1 INTRODUCTION

L'oscilloscope 25 MHz à double trace PM 3214 est un instrument portable compact et léger, de conception ergonomique et à possibilités de mesure étendues. L'appareil est pourvu d'une base de temps principale et d'une base de temps retardée; il permet l'affichage alterné de la base de temps ainsi que de nombreuses possibilités de déclenchement telles que crête-à-crête automatique, couplage continu et affichage automatique d'onde TV.

Un grand écran de 8 sur 10 cm avec lignes de graticule internes illuminées permet une représentation facile et un potentiel d'accélération 10 kV donne une trace de forte intensité et un point bien défini.

Une alimentation à double isolement permet de connecter le châssis directement à des circuits de terre flottants, à condition qu'ils ne présentent pas de tension dangereuse au toucher. De plus, il y a réduction substantielle du parasitage par les courants de terre, dont sont fréquemment affectés les oscilloscopes mis à terre. L'emploi de l'oscilloscope à pied d'oeuvre est facilité par la possibilité du fonctionnement sur batterie.

**Attention: La masse du châssis (et le câble de masse de sonde) ne doivent pas être connectés à des circuits sous tension dangereuse au toucher.**

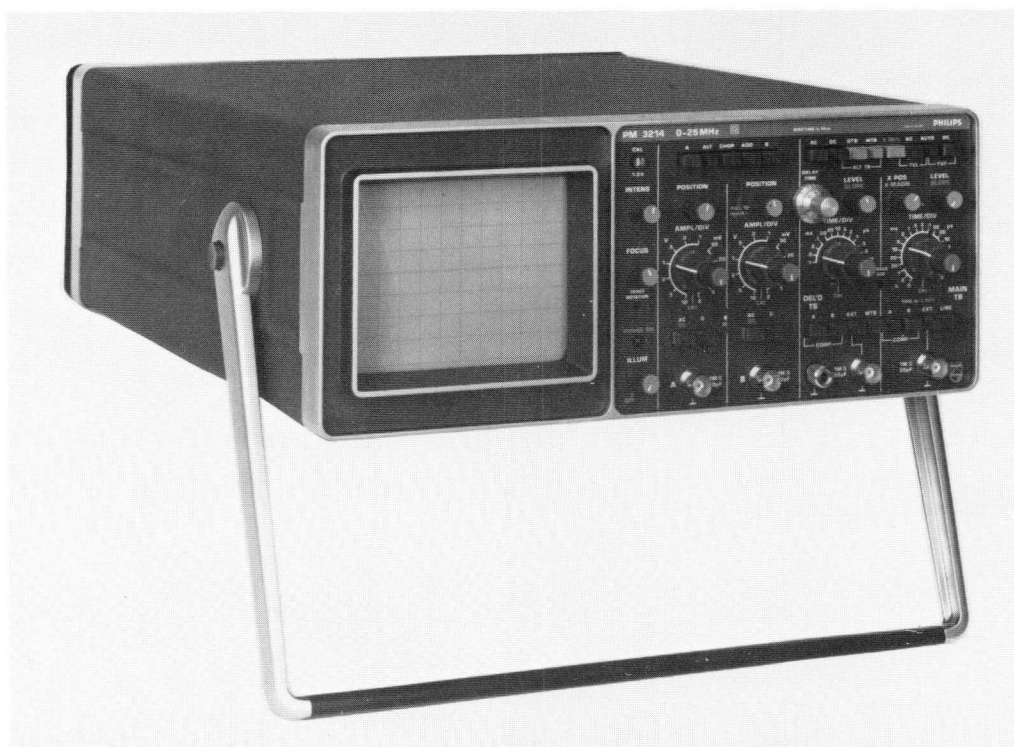


Fig. 1.1. Oscilloscope 25 MHz à double trace PM 3214

## 1.2 CARACTERISTIQUES

Sauf indications contraires, les propriétés exprimées en valeurs numériques tolérancées sont garanties pour des températures ambiantes comprises entre +5 °C et +40 °C. Les valeurs numériques non tolérancées sont des valeurs normales et représentent les caractéristiques d'un instrument moyen.

<i>Désignation</i>	<i>Spécification</i>	<i>Renseignements supplémentaires</i>
<b>1.2.1 Tube cathodique</b>		
Type	D14-125GH/08	Tube à face rectangulaire, type domed mesh, post-accélérateur, couche phosphore doublée de métal
Aire de mesure	8 x 10 divisions	1 division égale 1 cm
Type d'écran	P31 (GH)	P7 (GM) optional
Tension totale d'accélération	10 kV	
Graticule	Interne	Réglage continu de l'éclaircissement
Gravures	Divisions centimétriques avec subdivisions de 2 mm sur les axes centraux, Les lignes interrompues indiquent les points 10 % et 90 % pour la mesure du temps de montée	
<b>1.2.2 Axe vertical ou Y</b>		
Modes d'affichage	Voie A seulement Voie B seulement A et B commutées A et B alternées A et B ajoutées	
Polarité de la voie B	Normale ou inversée	
Bande passante	0 Hz ... 25 MHz (-3 dB) 2 Hz ... 25 MHz (-3 dB)	En couplage continu En couplage capacitif
Temps de montée	≤ 14 ns	
Distortion d'impulsion	≤ ± 3 % (≤ 4 % c.c.)	Mesurée pour une amplitude de 8 divisions et un temps de montée ≥ 1 ns
Coefficients de déviation	2 mV/div ... 10 V/div	Progression 1-2-5
Plage de réglage continu	1 : ≥ 2,5	
Précision de déviation	± 3 %	
Impédance d'entrée	1 Mohm/20 pF	
Temps RC d'entrée	0,1 s	Couplage capacitif
Tension maximale admissible d'entrée	400 V	Tension continue + tension alternative crête
Fréquence de commutation	≈ 500 kHz	
Décadrement vertical	16 divisions	
Gamme dynamique	24 divisions	
Retard de signal visible	≥ 40 ns	
Facteur de réjection en mode commun	≥ 40 dB à 1 MHz	Après réglage en continue ou sur basses fréquences
Diaphonie entre voies	-40 dB ou mieux à 10 MHz	
Dérive en température	≤ 0,3 div/heure	

### 1.2.3 Axe X ou horizontal

La déflexion horizontale peut être obtenue par la base de temps principale, la base de temps retardée ou une combinaison des deux, ou encore par la source sélectionnée pour déflexion X. Dans ce cas on établit les oscillogrammes X-Y en utilisant la voie A, la voie B, le connecteur d'entrée externe ou le secteur pour source de signal pour déflexion horizontale.

#### Modes de représentation

- Base de temps principale
- Base de temps principale intensifiée par base de temps retardée
- Base de temps principale et base de temps retardée alternées
- Base de temps retardée
- Fonctionnement XY

#### Dévisation X par:

- le signal voie A
- le signal voie B
- le signal appliqué au connecteur EXT de la base de temps principale
- la fréquence secteur

### 1.2.4. Base de temps principale

#### Fonctionnements

Automatique

En automatique, la base de temps est en fonctionnement libre en l'absence de signaux de déclenchement.

Déclenché

#### Vitesses de balayage

0,5 s/div ... 0,2  $\mu$ s/div

Progression 1-2-5

#### Gamme de réglage continu

1 :  $\geq$  2,5

#### Précision

$\pm$  3 %

#### Agrandissement

x10

#### Erreur d'agrandissement

$\pm$  2 %

#### Vitesse de balayage efficace la plus rapide

20 ns/div

### 1.2.5. Base de temps retardée

#### Fonctionnement

Déclenché par la base de temps principale immédiatement après le temps de retard choisi ou peut être déclenché après le temps de retard par la source de déclenchement choisie de la base de temps retardée

#### Vitesses de balayage

1 ms/div ... 0,2  $\mu$ s/div

Progression 1-2-5

#### Gamme de réglage continu

1 :  $\geq$  2,5

#### Précision

$\pm$  3 %

#### Agrandissement

10x

#### Erreur d'agrandissement

$\pm$  2 %

#### Vitesse de balayage efficace la plus rapide

20 ns/div

#### Temps de retard

Variable en échelons par commutateur TIME/DIV de la base de temps principale.

	Continuellement variable entre 0x et 10x le coefficient de temps de la base de temps principale, par potentiomètre 10-tours
Précision différentielle du temps de retard	0,5 %
Instabilité du retard	1 : $\geq 20\ 000$

### 1.2.6 Déviation X

Source	A, B, EXT ou LINE	En fonction de la position du commutateur de source, si le bouton X DEFL est enfoncé
Coefficients de déviation	A ou B : suivant la position de AMPL/DIV EXTERNE: 0,5 V/div LINE: 8 divisions	
Précision	$\pm 10\ %$ en A ou B	
Gamme de fréquence	0 Hz ... 1 MHz ( $-3\ \text{dB}$ ) pour 6 divisions	Couplage direct
Déphasage	$\leq 3^\circ$ à 100 kHz	
Gamme dynamique	24 divisions	Pour fréquences $\leq 100\ \text{kHz}$

### 1.2.7 Déclenchement de la base de temps principale

Source	Voie A, voie B, mixte, externe et fréquence secteur	
Mode de déclenchement	Automatique, normal alternatif, normal continu, TV ligne et TV trame	
Sensibilité de déclenchement	Interne: 1,0 div Externe: 0,5 V <sub>CC</sub>	
Gamme de fréquence de déclenchement	AUTO : 20 Hz ... $\geq 50\ \text{MHz}$ AC : 50 Hz ... $\geq 50\ \text{MHz}$ DC : 0 Hz ... $\geq 50\ \text{MHz}$	
Gamme de niveau	AUTO : proportionnelle à la valeur crête à crête du signal de déclenchement AC : 16 div en déclenchement DC : interne et 8 V en déclenchement externe	+ ou - 8 div et + et -4 V par rapport au centre de l'écran
Pente	+ ou -	
Impédance d'entrée	1 Mohm//20 pF	
Tension maximale d'entrée	400 V	Tension continue + tension alternative crête

### 1.2.8 Déclenchement de la base de temps retardée

Source	Voie A, voie B, mixte et externe
--------	----------------------------------

Les autres caractéristiques sont identiques à celles mentionnées au paragraphe 'Déclenchement de la base de temps principale' excepté le déclenchement TV.

**1.2.9 Générateur d'étalonnage**

Tension de sortie	1,2 V <sub>CC</sub>	Onde carré
Précision	± 1 %	
Fréquence	≈ 2 kHz	

**1.2.10 Alimentation**

<i>Alimentation alternative</i>	A double isolement	Classe de sécurité II, IEC348
Tensions nominales (sur le carrousel)	110, 127, 220, or 240 V alternative, ± 10 %	
Gamme de fréquence nominale	50 ... 400 Hz ± 10 %	
Consommation	30 W maximum	A la tension secteur nominale
<i>Alimentation continue</i>		
Gamme de tension	22 ... 27 V continu	Entrée flottante
Consommation	1,1 A maximum	

**1.2.11 Conditions ambiantes**

Les données relatives aux conditions ambiantes ne sont valables que si l'instrument est contrôlé conformément aux méthodes officielles. Des renseignements sur ces méthodes et sur les critères employés sont fournis sur demande par l'organisation PHILIPS de votre pays ou par le TEST AND MEASURING DEPARTMENT de la N.V. PHILIPS' GLOEILAMPENFABRIEKEN à EINDHOVEN, PAYS-BAS.

Température ambiante	+5 °C ... +40 °C	Gamme de référence d'utilisation
	-10 °C ... +55 °C	Gamme limite d'utilisation
	-40 °C ... +70 °C	Stockage et transport
Humidité	Suivant IEC68Db	
Chocs	1000 chocs de 10 g, ½ sinus, d'une durée de 6 ms dans chacune des 3 directions	
Essais de vibration	30 minutes dans chacune des 3 directions, 10-150 Hz, amplitude 0,7 mm <sub>CC</sub> et une accélération maximale de 5 g	
Altitude	5000 m (475 mbars)	En fonctionnement
	15000 m (100 mbars)	Hors fonctionnement
Temps de rétablissement	30 minutes si la température de l'instrument passe de -10 °C à +20 °C sous humidité relative de 60 %	
Interférence	L'appareil répond à la norme VDE Störgrad K	

**1.2.12 Caractéristiques mécaniques**

Longueur	420 mm
Largeur	330 mm
Hauteur	150 mm
Poids	8,4 kg

### 1.3 ACCESSOIRES

#### 1.3.1 Fournis avec l'instrument

Couvercle avant  
2 Adapteurs BNC 4 mm

#### 1.3.2 En option

Sonde passive 1:1	PM 9335 (L)
Sonde passive 10:1	PM 9336 (L), PM 9350 (L), ou PM 9351 (L)
Sonde passive 100:1	PM 9358
Sonde miniature à FET	PM 9352
Sonde à FET	PM 9353
Sonde de courant	PM 9355
Alimentation de sonde	PM 9346
Table roulante	PM 8991
Filtre Polaroid	PM 8910
Visière	PM 9366
Visière longue	PM 8980
Caméra d'enregistrement	PM 9380
Adaptateur pour PM 9380	PM 8971
Adaptateur pour rack 19"	PM 8962
Sac à accessoires	PM 8992
Alimentation batteries	PM 8901

## 2. Mode d'emploi

### 2.1. INSTALLATION

#### 2.1.1 Règlements de sécurité (conformes à la IEC 348)

Avant de brancher l'instrument sur le secteur, examiner le coffret, les commandes, les connecteurs, etc. pour s'assurer qu'il n'y a pas eu de dommages en cours de transport. Si l'on constate des défauts, ne pas brancher l'instrument.

Il faut déconnecter l'instrument de toute source de tension et décharger les points sous haute tension avant d'effectuer aucun travail d'entretien ou de réparation. Si les réglages ou l'entretien ne peuvent se faire autrement que sur l'instrument en marche, couvercles déposés, le travail devra être confié à un spécialiste conscient des risques encourus. L'alimentation étant à double isolement, il n'est pas nécessaire de mettre l'appareil à la terre en fonctionnement normal.

**Attention: Il ne faut pas oublier qu'en cours de fonctionnement la masse du châssis de l'oscilloscope est portée au même potentiel que la connexion de terre de la sonde de mesure.  
Ni le câble de masse de la sonde, ni le châssis ne doivent être connectés à des sources de tension dangereuse au toucher.**

#### 2.1.2 Branchement sur le secteur et fusibles

Avant de brancher l'appareil sur le secteur, s'assurer qu'il est réglé sur la tension correcte. A sa livraison, l'instrument est réglé sur 220 V. S'il doit être utilisé sur du 110 V, 127 V ou 220 V, il faut l'adapter en modifiant la position du carrousel sur le panneau arrière (voir figure 2.1.).

L'instrument est protégé contre les surcharges par un fusible thermique monté entre les enroulements du transformateur secteur. Pour remplacer le fusible, il faut déposer le panneau arrière de l'instrument (voir section 3.2.).

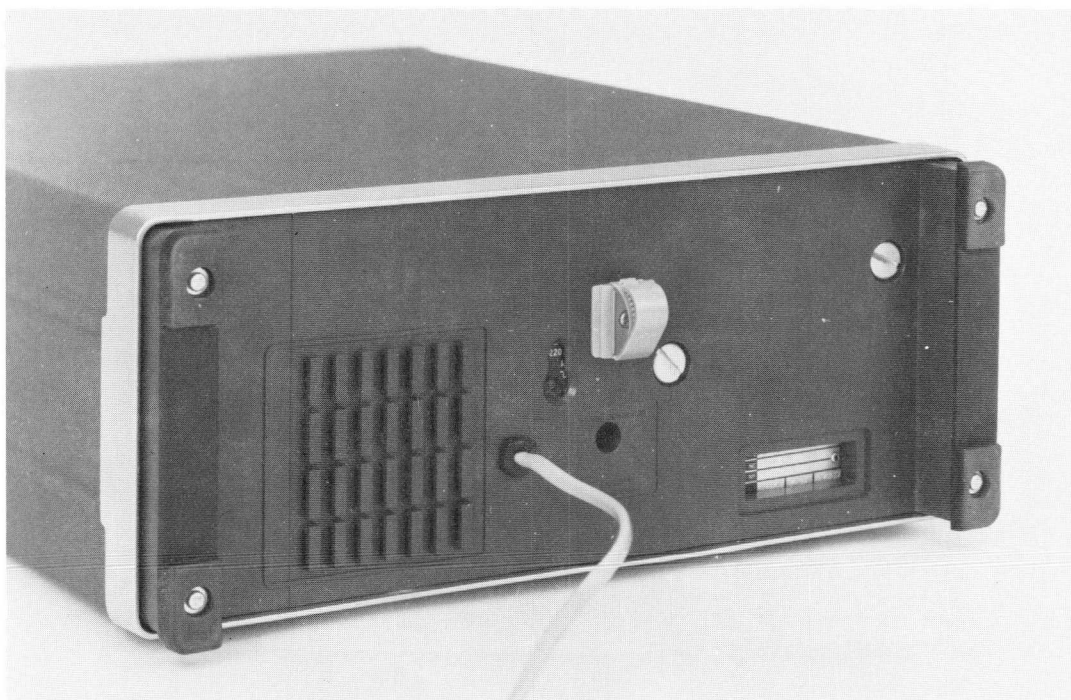


Fig. 2.1. Vue arrière de l'oscilloscope avec carrousel en position 220 V

### 2.1.3 Branchement sur une alimentation extérieure

On peut connecter une alimentation extérieure ou batterie de 22 à 27 V, capable de fournir au moins 1 A, sur la prise du panneau arrière.

Le conducteur intérieur doit être connecté au pôle négatif, le conducteur extérieur au pôle positif, comme indiqué sur le panneau arrière.

L'instrument est protégé contre les surcharges et contre le changement de polarité par une diode et un fusible internes.

### 2.1.4 Couverture avant et position de l'instrument

Pour enlever le couvercle avant, il suffit de le tirer vers soi. On peut employer l'instrument en position horizontale ou suivant plusieurs inclinaisons en se servant de la poignée de transport comme support. Pour déverrouiller la poignée, enfoncer simultanément les deux boutons de pivotement centraux.

## 2.2. COMMANDES ET PRISES

Voir la figure 2.2.

### 2.2.1 Tube cathodique et commandes de puissance

ILLUM	Bouton de réglage continu de l'éclairement du graticule; comprend l'interrupteur secteur.
POWER ON	La veilleuse indique l'état en circuit.
INTENS	Réglage continu de la brillance de la trace.
FOCUS	Réglage continu de la focalisation du faisceau électronique.
TRACE ROTATION	Réglage par tournevis de l'alignement du tracé sur les lignes horizontales du graticule.

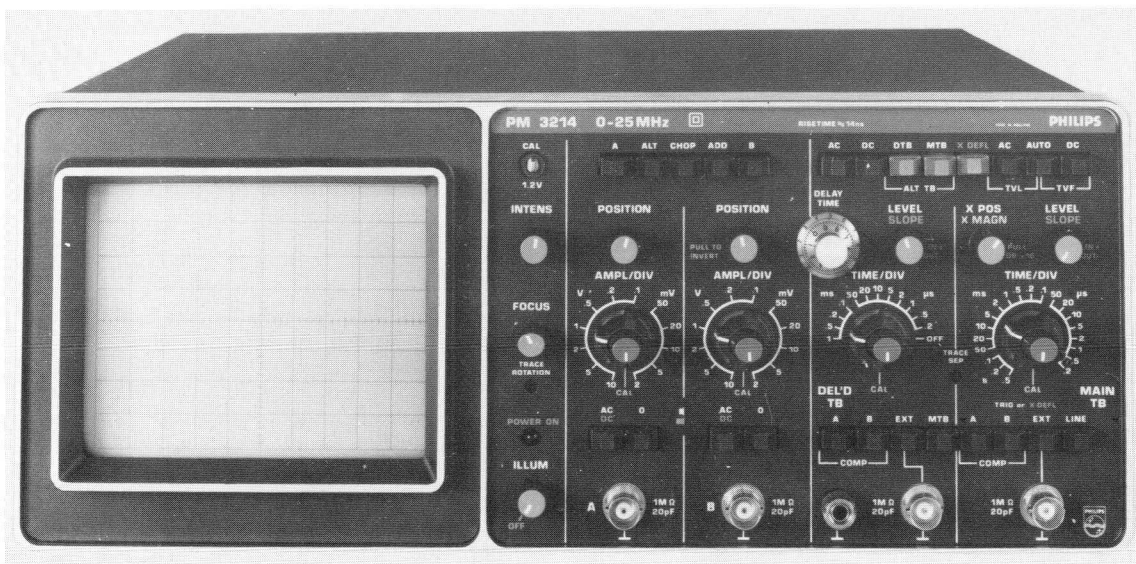


Fig. 2.2. Vue avant de l'oscilloscope montrant les commandes et douilles



### 2.2.2 Déviation verticale

#### Commutateur de mode d'affichage

#### Fonction

5 boutons-poussoirs pour sélection du mode d'affichage verticale. Si aucun bouton n'est enfoncé, l'oscilloscope fonctionne en mode ALT.

A	La déviation verticale est commandée par le signal connecté à l'entrée de la voie A.
ALT	L'affichage passe d'une voie à l'autre à la fin de chaque cycle du signal de base de temps ( $f \approx 500$ kHz).
CHOP	L'affichage passe d'une voie à l'autre à une fréquence fixe.
ADD	La déviation verticale est la somme des signaux des voies A et B.
B	La déviation verticale est commandée par le signal connecté à l'entrée de la voie B.
POSITION	Commande de décalage vertical continu de la trace.
PULL TO INVERT B	Bouton tirette combiné à la commande POSITION de la voie B. S'il est tiré, il y a inversion du signal de la voie B.
AMPL/DIV (bouton extérieur)	Réglage échelonné des coefficients de déviation verticale, de 2 mV/div à 10 V/div dans la progression 1-2-5.
AMPL/DIV (bouton central)	Réglage continu des coefficients de déviation verticale. Le coefficient de déviation n'est étalonné que si le bouton central est en position CAL (position extrême droite).
<i>Commutateur de couplage d'entrée</i>	
AC (enfoncé)	Couplage de signal; deux boutons-poussoirs.
DC (libéré)	Couplage via un condensateur d'arrêt.
O (enfoncé)	Couplage direct.
A (1 M $\Omega$ //20 pF)	La connexion entre le circuit d'entrée et la prise d'entrée est coupée et le circuit d'entrée est mis à la terre.
B (1 M $\Omega$ //20 pF)	Prise BNC pour entrée de la voie A.
	Prise BNC pour entrée de la voie B.

### 2.2.3 Déviation horizontale

#### Commutateur de source

#### Fonction

DTB – MTB – X DEFL  
└ ALT TB ┘

Commandes de la déviation horizontale; par commutateur à trois boutons-poussoirs

DTB enfoncé

La déviation horizontale est fournie par le générateur de base de temps retardée.

MTB enfoncé

La tension de déviation horizontale est fournie par le générateur de base de temps principale.

Une partie de la trace est intensifiée quand la base de temps retardée est en opération. Le générateur de base de temps retardée est hors circuit en position OFF du commutateur DTB TIME/DIV.

Si aucun bouton n'est enfoncé, on obtient le même effet que lorsque le bouton MTB est enfoncé (seulement commande MTB LEVEL est hors circuit).

DTB – MTB  
└ ALT TB ┘

Si les boutons DTB et MTB sont enfoncés à la fois, la déviation horizontale est fournie par les générateurs de base de temps principale et retardée, de façon alternée.

X DEFL enfoncé

La déviation horizontale est fournie par un signal d'origine extérieure appliqué à la prise d'entrée de l'amplificateur horizontal, par le signal de voie A, par le signal de voie B ou par un signal à la fréquence du secteur.

X POS  
X MAGN

Commande de réglage continu du décalage horizontal de la trace; comporte un bouton tirette qui multiplie par 10 la déviation horizontale.

Le bouton X MAGN est opérant aussi quand un signal externe est utilisé pour la déviation horizontale.

TRACE SEP

Commande continuellement variable de la distance verticale entre les affichages de base de temps en mode ALT.TB.

#### 2.2.4 Générateur de base de temps principale

LEVEL  
SLOPE (IN+, OUT -)

Commande continuellement variable pour sélectionner le niveau du signal de déclenchement, auquel le générateur de base de temps principale démarre.

Cette commande comporte un bouton tirette qui permet de déclencher sur le front positif ou négatif du signal de déclenchement. En TV, il faut choisir - pour les signaux vidéo négatifs et + pour les signaux vidéo positifs.

##### Commutateur de mode de déclenchement

AC AUTO DC  
└ TVL ─┘└ TVF ─┘

##### Fonction

Choix du mode de déclenchement par trois boutons-poussoirs. Si aucun bouton-poussoir n'est enfoncé, il y a automatiquement sélection du mode automatique et la gamme de niveau est fixe.

AUTO enfoncé

Il y a affichage d'une trace en l'absence de signaux de déclenchement. La gamme de réglage du niveau est proportionnelle à la valeur crête à crête du signal de déclenchement.

AC enfoncé

Déclenchement normal et gamme fixe de réglage de niveau. Le composant continu du signal de déclenchement est bloqué.

DC enfoncé

Déclenchement normal et gamme fixe de réglage de niveau. Le composant continu du signal de déclenchement est transmis.

AC - AUTO  
└ TVL ─┘

Il y a synchronisation ligne (AC et AUTO enfoncés à la fois).

AUTO - DC  
└ TVF ─┘

Il y a synchronisation trame (AUTO et DC enfoncés à la fois)

##### Commutateur de source

A - B - EXT - LINE  
└ COMP ─┘

##### Fonction

Quatre boutons-poussoirs permettent de choisir la source de déclenchement (ou la source de déviation horizontale si le bouton X DEFL est enfoncé). Si aucun des boutons-poussoirs n'est enfoncé, la source A est choisie.

A enfoncé

Signal fourni par la voie A.

B enfoncé

Signal fourni par la voie B.

COMP (A & B enfoncés à la fois)

Signal fourni après le commutateur électronique (inopérant avec X DEFL)

EXT enfoncé

Signal externe fourni à prise adjacente 1 Mohm//20 pF

LINE enfoncé

Signal fourni par la tension secteur (inopérant si l'instrument est alimenté par batterie).

TIME/DIV (bouton extérieur)

Choisit la vitesse de balayage entre 0,2  $\mu$ s/div et 0,5 s/div dans une progression 1-2-5.

TIME/DIV (bouton central)

Réglage continu des vitesses de balayage. Doit être en position CAL (c'est à dire en position extrême droite) pour l'étalonnage de l'axe du temps suivant l'indication du commutateur TIME/DIV.

1 M $\Omega$  - 20 pF

Prise BNC pour déclenchement externe ou déviation horizontale.

### 2.2.5 Générateur de base de temps retardée

LEVEL

SLOPE (IN +, OUT -)

Commande continuellement variable pour sélectionner le niveau du signal de déclenchement, auquel le générateur de base de temps retardée démarre; gamme fixe de réglage de niveau. Cette commande comporte un bouton tirette qui permet de déclencher sur le front positif ou négatif du signal de déclenchement.

*Commutateur de mode de déclenchement*

*Fonction*

AC – DC

Choix du mode de déclenchement par deux boutons-poussoirs.

AC enfoncé

Déclenchement normal et gamme fixe de réglage de niveau. Le composant continu du signal de déclenchement est transmis.

DC enfoncé

Déclenchement normal et gamme fixe de réglage de niveau. Le composant continu du signal de déclenchement est transmis.

DELAY TIME

Commande continuellement variable du temps de retard utilisée en association avec les commandes TIME/DIV du générateur de base de temps principale.

*Commutateur de source*

*Fonction*

A – B – EXT - MTB  
└COMP┘

Choix de la source de déclenchement et point de démarrage du générateur de base de temps retardée.

Si aucun bouton-poussoir n'est enfoncé, on obtient le même effet que si la bouton MTB était enfoncé.

A enfoncé

Signal de déclenchement interne fourni par la voie A.

B enfoncé

Signal de déclenchement interne fourni par la voie B.

COMP (A & B enfoncés à la fois)

Signal de déclenchement fourni après le commutateur électronique. Déclenchement par le signal affiché après le temps de retard sélectionné.

EXT enfoncé

Signal de déclenchement externe fourni à prise adjacente 1 Mohm//20 pF.

MTB enfoncé

Signal de déclenchement interne fourni par la base de temps principale pour démarrer la base de temps retardée immédiatement après le temps de retard sélectionné.

TIME/DIV (bouton extérieur)

Choisit la vitesse de balayage entre 2  $\mu$ s/div et 1 ms/div dans une progression 1-2-5. Comprend une position OFF, grâce à laquelle le générateur de base de temps retardée est mis hors circuit.

TIME/DIV (bouton central)

Réglage continu des vitesses de balayage. Doit être en position CAL (c'est à dire en position extrême droite) pour l'étalonnage de l'axe de temps suivant l'indication du commutateur TIME/DIV.

1 M $\Omega$ //20 pF

Prise BNC pour le signal de déclenchement externe.

### 2.2.6 Divers

CAL

Prise de sortie fournissant une onde carrée de  $\approx$  2 kHz et une amplitude de  $1,2 V_{CC} \pm 1\%$ . A utiliser pour compenser la sonde et/ou contrôler la précision de la déviation verticale.

DC POWER IN

Une prise d'entrée à l'arrière de l'instrument permet de le faire fonctionner sur une alimentation externe en courant continu. Tension d'alimentation 22 à 27 V; courant disponible  $> 1$  A.

Adaptateur de tension secteur

Le régler conformément à la section 2.1.2. avant de brancher l'instrument sur la tension secteur locale.

## 2.3. INSTRUCTIONS D'UTILISATION

### 2.3.1 Mise de l'instrument en circuit

Avant de connecter l'instrument à une source quelconque d'alimentation, il faut exécuter soigneusement les instructions de la section 2.1.

Normalement, l'oscilloscope fonctionne conformément à ses spécifications (voir section 1.2.) après une période d'échauffement d'environ 15 minutes. Toutefois, s'il a été exposé à une ambiance extrêmement froide, (par exemple laissé la nuit dans une voiture par temps de gel) et qu'on l'amène dans une pièce chauffée, il faut tenir compte d'une période d'échauffement suffisante (voir 1.2.11).

### 2.3.2 Réglage préliminaire des commandes

Les opérations décrites ci-après donnent une indication générale de la correction de fonctionnement de l'oscilloscope. Elles constituent un préalable utile à l'exécution des mesures.

Voir la figure 2.2 pour la position des commandes.

Mettre les commandes INTENS et FOCUS en position médiane. Enfoncer AUTO et choisir une vitesse de balayage moyenne comprise entre  $10 \mu\text{s}/\text{div}$  et  $10 \text{ms}/\text{div}$  à l'aide du commutateur TIME/DIV.

Les autres boutons-poussoirs étant en position normale (non enfoncés), on peut positionner la trace des voies A et B sur l'écran à l'aide des commandes appropriées. Donner aux traces une brillance moyenne à l'aide de la commande INTENS et régler leur netteté à l'aide de la commande FOCUS.

### 2.3.3 Couplage d'entrée (AC/DC, 0)

*Le couplage AC ou capacitif* (bouton enfoncé) permet de bloquer le composant continu d'un signal.

Le choix du couplage capacitif limite les fréquences inférieures, provoquant ainsi l'atténuation des signaux sinusoïdaux à faible fréquence et la distorsion des ondes carrées à faible fréquence. Le degré d'atténuation est déterminé par le temps d'entrée RC (0.1 s). Le temps d'entrée RC est multiplié par 10 si l'on emploie des sondes passives 10:1.

Lorsqu'on passe au couplage capacitif, il faut attendre environ cinq fois le temps d'entrée RC avant que la trace se stabilise à la valeur moyenne du signal d'entrée. Les mesures de position AC ne peuvent être faites par rapport à la masse.

*La position 0* déconnecte la source d'entrée et court-circuite l'entrée de l'amplificateur pour le contrôle du signal zéro.

*Le couplage DC ou continu* (bouton libéré) couvre toute la bande passante, c'est à dire jusqu'au courant continu.

### 2.3.4 Emploi des sondes

Les sondes passives 1 : 1 ne doivent être employées que pour le courant continu et les basses fréquences.

La charge capacitive atténue les hautes fréquences ou augmente le temps de montée des signaux de mesure (en fonction de l'impédance de source).

Les sondes passives 10:1 ont une charge capacitive moins grande, généralement environ 10 pF à 20 pF.

Les sondes FET sont supérieures, en particulier si les mesures doivent être prises en des points à impédance élevée ou à la limite supérieure de la bande de fréquence de l'oscilloscope.

Les sondes passives 10 : 1 doivent être compensées correctement avant emploi. Une compensation incorrecte provoque la distorsion des impulsions ou des erreurs d'amplitude aux fréquences élevées.

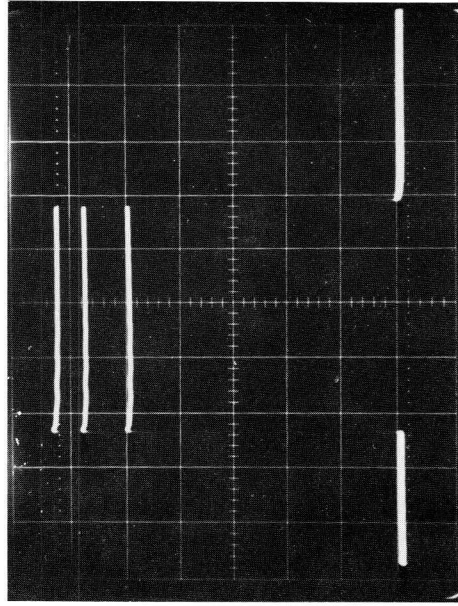
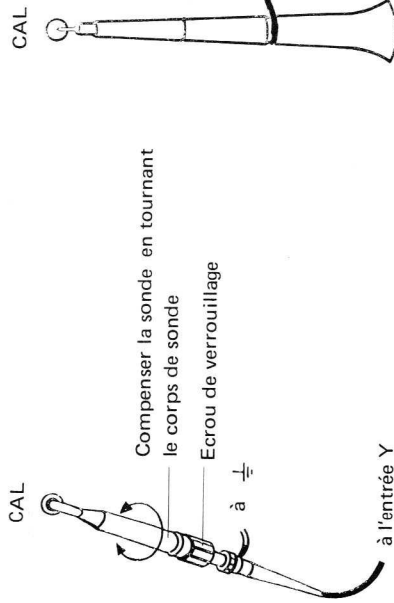
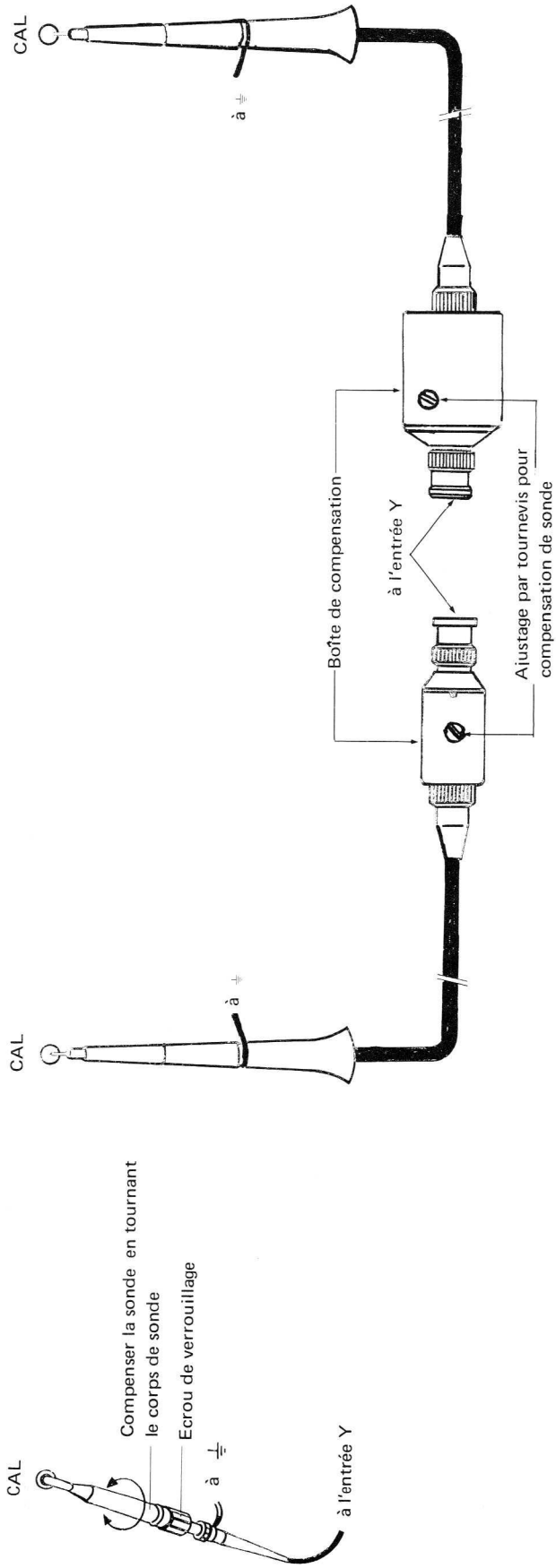
Pour un réglage correct, on peut utiliser la prise de sortie CAL (voir figure 2.3).

### 2.3.5 Choix entre modes commuté et alterné

(A .. ALT .. CHOP .. ADD .. B)

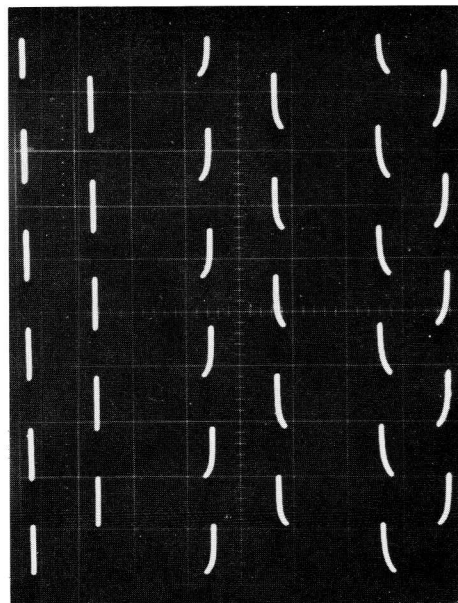
En fonctionnement à double trace (CHOP ou ALT enfoncé), il faut choisir le mode commuté (CHOP enfoncé) pour des vitesses de balayage relativement faibles (de  $0,1 \text{ms}/\text{div}$  à  $0,5 \text{s}/\text{div}$ ) ou pour des faibles fréquences de répétition du balayage, même s'il est rapide. Le choix du mode alterné (ALT) dans ces conditions rendrait difficile la comparaison des formes d'ondes, parce que les traces apparaîtraient en fait successivement.

Toutefois, si l'affichage est assez rapide pour être interrompu par la fréquence de commutation, il faut choisir le mode alterné (enfoncer ALT), généralement pour des vitesses de balayage supérieures à  $0,1 \text{ms}/\text{div}$ .



1  $\mu\text{s}/\text{div}$

La compensation de sonde affecte l'amplitude des impulsions rapides; de haut en bas:  
 —compensation exacte  
 —surcompensation  
 —sous-compensation



2 ms/div

Effet sur l'onde rectangulaire de la sortie CAL; de haut en bas:  
 —compensation exacte  
 —surcompensation  
 —sous-compensation

Fig. 2.3. Comment compenser les sondes passives 10:1 et l'effet sur les formes d'ondes.

### 2.3.6 Mode différentiel

On peut choisir le mode A — B en enfonçant ADD et en tirant la commande POSITION de la voie B. Dans les mesures au cours desquelles il y a réception de signaux de mode commun de valeur appréciable (par exemple ronflement), le mode différentiel annule ces signaux pour ne conserver que la valeur intéressante (A — B). L'amplitude de l'oscilloscope à supprimer les signaux de mode commun est donnée par le coefficient de réjection mode commun (CMR) (voir figure 2.4).

Pour obtenir le degré spécifié de réjection mode commun, il faut tout d'abord égaliser les gains respectifs des voies A et B. On peut obtenir ce résultat en connectant les deux voies au connecteur CAL et en ajustant l'un des commutateurs AMPL/DIV pour une déviation minimale sur l'écran.

Si l'on emploie des sondes passives 10 : 1, il est recommandé d'employer une méthode d'égalisation similaire consistant à régler leurs commandes de compensation pour une déviation minimale.

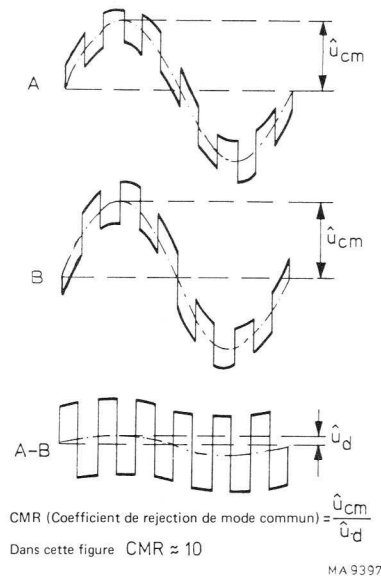


Fig. 2.4. Réjection en mode commun

### 2.3.7. Choix du mode de déclenchement

( AC    AUTO    DC )  
 └ TVL ─┘ └ TVF ─┘

Le mode AUTO est des plus utiles parce qu'il fournit une trace ou plusieurs traces sur l'écran, même en l'absence de signaux de déclenchement. De plus, pour un signal d'amplitude supérieur à 1 division, ce mode fournit un déclenchement stable indépendamment du réglage de niveau (LEVEL); sa gamme est automatiquement réglée sur la valeur crête à crête du signal choisi pour le déclenchement.

Cela facilite le réglage du niveau (LEVEL) à faibles amplitudes du signal de déclenchement.

Le mode AUTO ne peut être employé pour les signaux à faible fréquence de répétition (10 Hz ou moins) parce qu'il y aurait alors balayage en relaxé entre les déclenchements. Il faut donc utiliser le déclenchement normal (AC ou DC enfoncé) pour les signaux à faible fréquence de répétition.

En déclenchement normal, il n'y a balayage que si un signal de déclenchement est fourni et que le réglage de niveau (LEVEL) est approprié.

AC ou DC étant enfoncé, la gamme du niveau est fixe (+ ou - 8 divisions ou plus de part et d'autre du milieu de l'écran). On peut bloquer le composant continu du signal de déclenchement en enfonçant AC. C'est utile, si le déclenchement doit être provoqué par des signaux alternatifs superposés à un niveau continu important.

En couplage capacitif, le niveau auquel l'affichage commence varie avec les modifications de la valeur moyenne du signal de déclenchement). Le niveau de référence du signal n'est donc plus rapporté au niveau de référence du signal. Ceci peut être une source d'instabilité des formes d'ondes avec variation de leur durée d'un cycle à l'autre. Il est normalement préférable d'employer la position DC.

Le choix de la pente s'effectue à l'aide du bouton-poussoir +/-. Dans le mode TV il faut choisir - pour les signaux vidéo négatifs et + pour les signaux vidéo positifs. La commande LEVEL est inopérante dans le mode TV.

Le non enfoncement des boutons offre une possibilité supplémentaire: l'écran affiche une trace en l'absence d'un signal de déclenchement, mais la gamme de niveau est fixe.

### 2.3.8 Source de déclenchement

La source de déclenchement de la base de temps retardée se choisit à l'aide des boutons-poussoirs TRIG ou X DEFL en façade.

A            B            EXT LINE  
└─ COMP ─┘

- *Le déclenchement interne* est le plus couramment employé parce qu'il ne demande qu'un signal (le signal d'entrée) pour obtenir un déclenchement stable.
- *Déclenchement externe.* Si l'on affiche de nombreux signaux, il est de se servir du signal externe pour le déclenchement. Il n'est pas nécessaire de régler à nouveau les commandes de déclenchement (LEVEL, SLOPE et SOURCE) à chaque changement de signal d'entrée. De plus, les deux entrées A et B restent libres pour l'examen des formes d'onde.
- *Choix de la source de déclenchement.* Pour comparer les formes d'ondes dont les fréquences sont des multiples les unes des autres, toujours choisir comme source de déclenchement le signal qui à la fréquence de répétition la plus faible.

Sinon, on risque d'obtenir des images doubles (mode commuté) ou des décalages de temps incorrects (mode alterné).

- *Déclenchement mixte.* Dans le mode interne, les signaux de déclenchement sont fournis par les étages préamplificateurs de la voie A, ou de la voie B ou encore, si on choisit COMP en enfonçant à la fois les boutons A et B, par l'étage de commande de ligne à retard qui suit le commutateur électronique.

Le déclenchement mixte offre trois avantages:

1. Dans le mode différentiel (A-B) le déclenchement est assuré par le signal différentiel et n'est donc pas perturbé par les signaux de mode commun.
2. Pour le fonctionnement monovoie, il n'est pas nécessaire de commuter les sources de déclenchement de A à B ou vice-versa.
3. Dans le mode alterné, il est possible de comparer des signaux sans relation chronologique.

*Remarque: Si on emploie le déclenchement mixte en fonctionnement bivoie (commuté ou alterné) et qu'un seul signal est fourni (à l'entrée A ou B), on ne peut obtenir un déclenchement stable. C'est normal vu que la source de déclenchement est également commutée de A à B (voir figure 2.5).*

- *Le déclenchement par la fréquence secteur 50 Hz est utile si le signal est lié à la fréquence secteur.*

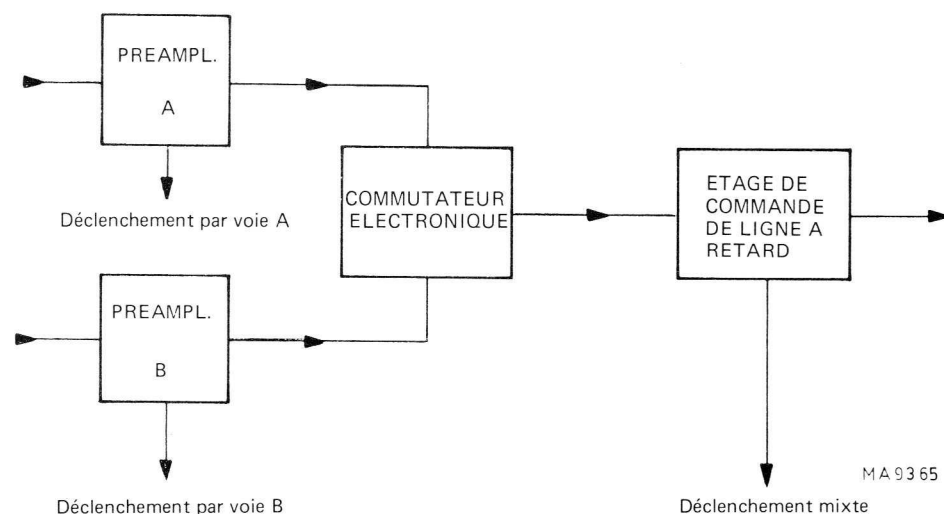


Fig. 2.5. Schéma synoptique du circuit de déclenchement mixte



### 2.3.9 Mesures XY

Les mesures XY s'effectuent avec le commutateur TIME/DIV en X DEFL, la source de déviation horizontale étant choisie à l'aide du EXT X DEFL ou du bouton-poussoir TRIG (A, B, EXT ou LINE).

Les mesures XY constituent un moyen utile de comparer des fréquences ou d'étudier des déphasages par l'affichage de figures de Lissajous.

Les mesures peuvent se faire jusqu'à 100 kHz avec une erreur de phase inférieure à 3° entre les voies de l'oscilloscope.

Le tableau suivant indique la sensibilité dans les différents modes XY :

X DEFL	SENSIBILITE
A	AMPL/DIV A $\pm$ 10 %
B	AMPL/DIV B $\pm$ 10 %
EXT	0,5 V/DIV $\pm$ 10 %
LINE	8 divisions à tension secteur nominale

### 2.3.10 Utilisation de la base de temps retardée

La base de temps retardée peut être utilisée pour l'étude précise de signaux complexes. Lorsque le bouton-poussoir MTB des commandes de déviation horizontale est actionné, la base de temps retardée est démarré après le temps de retard sélectionné (si le commutateur TIME/DIV n'est pas sur OFF) et une portion du signal affiché est intensifiée. La commande DELAY TIME permet de décaler cette partie intensifiée le long de l'axe des temps,

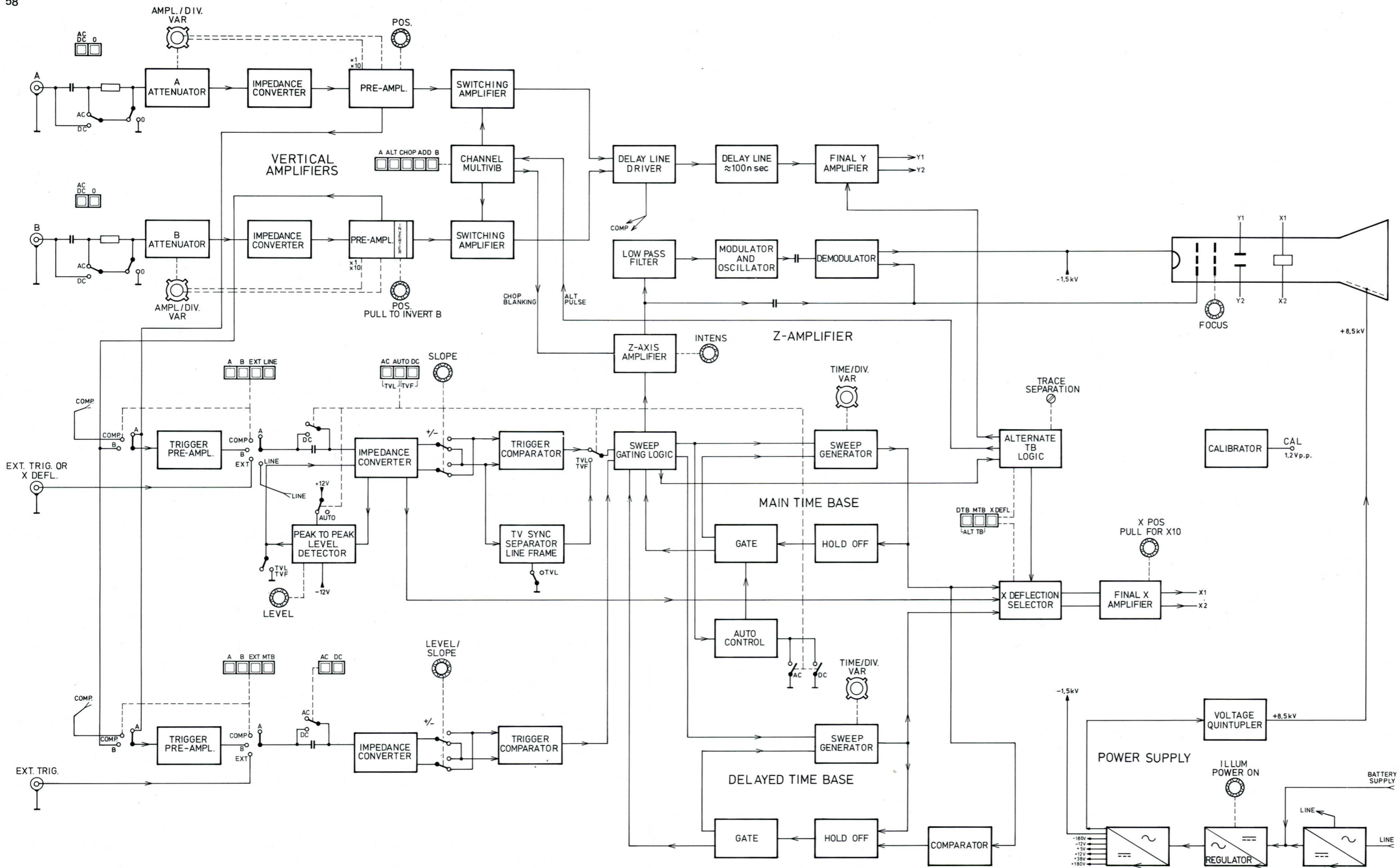
La durée de cette portion (c'est à dire sa longueur) peut être commandée par échelons et de façon continue à l'aide des commandes TIME/DIV du générateur de base de temps retardée. Lorsque le bouton-poussoir DTB des commandes de déviation horizontale est enfoncé, la portion intensifiée occupe la largeur totale de l'écran. En position DTB, le retard (c'est à dire l'intervalle entre les points de démarrage des bases de temps principale et retardée) est déterminé par les réglages de commandes TIME/DIV de la base de temps principale et de la commande DELAY TIME.

Le PM 3214 est équipé d'une commutation de l'affichage. De la sorte, on peut obtenir une représentation simultanée du signal sur les deux échelles de temps à partir de chaque base de temps (principale et retardée). En mode ALT TB, une certaine portion de l'affichage de base de temps principale est examinée en détail; pour ce faire, l'intervalle de temps est accru à l'aide de la base de temps retardée. A cet effet, on choisit un balayage plus rapide pour la commande TIME/DIV de la base de temps retardée et on détermine l'intervalle de temps avec le potentiomètre DELAY TIME.

La portion de signal détaillée à l'aide de la base de temps retardée reste une portion intensifiée de l'affichage de base de temps principale. On peut donc facilement localiser le détail requis et de plus obtenir une indication visuelle de la portion par rapport à la trace examinée. Le mode ALT TB permet donc de voir immédiatement la corrélation existant entre une portion détaillée et la trace totale — parfois très complexe — sans toutefois devoir passer de la base de temps principale à la base de temps retardée ou vice-versa.



# Service manual



BLOCK DIAGRAM PM3214

MA9555

Fig. 3.1. Block diagram of the oscilloscope

## 3. Service data

### 3.1 BLOCK DIAGRAM DESCRIPTION

#### 3.1.1 Y Channel

The vertical channels A and B for the signals to be displayed are identical, each comprising an input coupling switch, an input step attenuator, an impedance converter and a preamplifier with trigger pick-off.

A channel multivibrator, controlled by the display mode pushbuttons, switches either channel A or channel B to the final Y amplifier via the delay line. The channel multivibrator is operated by a pulse at the end of the sweep, and offers an uninterrupted display of the A and B waveforms in the ALT mode. In the ADD position, both switching amplifiers couple the signals through, thus adding channels A and B. By inverting the B channel amplifier (PULL TO INVERT B) the A - B mode is obtained.

The AMPL/DIV switches provide x 1 or x 10 gain control of the preamplifier, which offers in conjunction with the step attenuator a full range of deflection coefficients in a 1-2-5 sequence.

#### 3.1.2 Main time base triggering

To initiate sweeps, trigger signals can be derived from the A and B vertical channel preamplifiers, from an external source, or internally from the mains supply (LINE triggering) as selected by the trigger source switch. Composite triggering (A and B depressed) is derived from the delay-line driver stage. The polarity of the trigger signal, negative or positive-going, on which the display will start is determined by changing the output polarity of the impedance converter.

With the AUTO switch depressed, the peak-to-peak level detector comes into operation. The peak-to-peak level of the signal then determines the range of the LEVEL control.

With AC or DC depressed, the range of the LEVEL control is fixed.

In the TVL and TVF modes the LEVEL control is inoperative and the TV sync separator is switched into circuit, thus initiating sweeps with line or frame pulses depending on the setting of the TVL and TVF switches.

#### 3.1.3 Main time base circuit

For normal internal time base operation the horizontal amplifier is fed by sweeps from the time base circuit. With AUTO depressed, in the absence of trigger signals, the output of the sweep generator is fed back via the hold-off circuit and gate to its input. This causes sweeps to free-run and a resultant trace is displayed on the screen. As soon as the AUTO control circuit detects a trigger (i.e. a change in the output of the sweep-gating logic) the sweep is fed back to the sweep-gating logic. This causes the circuit to revert to the normal triggering mode in which sweeps are initiated only by trigger pulses at the input of the sweep-gating logic.

With AC or DC depressed, AUTO control is made inoperative. Sweeps are then only produced provided a trigger signal is present and the LEVEL control appropriately set.

The display can be magnified in the horizontal direction by increasing the gain of the final amplifier by a factor of x10 (also the X DEFL mode).

When the X DEFL pushbutton of the horizontal selection switch is depressed, the sweep generator output to the final amplifier is inhibited and the impedance converter is connected directly to the final amplifier. In this way, the signals normally selected for triggering, or an external source, can now be used for horizontal deflection.

#### 3.1.4 Hold-off circuit

The hold-off stage, as its name implies, 'holds-off' triggers from the input of the time base circuit until the trace has completely returned and the time base circuits are completely reset.

#### 3.1.5 Z Axis

The Z amplifier provides for the blanking of the trace during the fly-back and hold-off time. In addition, it blanks the sweep in the CHOP mode during the switching transients.

The l.f. components of the blanking signal are modulated and demodulated before they are applied to the Wehnelt cylinder together with the a.c. coupled h.f. component.

### 3.1.6 Delayed time base triggering

To initiate sweeps, trigger signals can be derived from the A and B vertical channel preamplifiers, or from an external source as selected by the trigger source push button switch.

With both the A and B pushbuttons depressed simultaneously, composite triggering is derived from the delay-line driver stage of the Y amplifier channel. AC and DC coupling is provided to the impedance converter. The polarity of the trigger signal, negative or positive-going, on which the display will start, is determined by changing the output polarity of the impedance converter by the SLOPE switch.

With MTB selected, the delayed time base starts directly after the delay time. The DELAY TIME control in conjunction with the comparator determines the delay time for the delayed time base generator.

### 3.1.7 Delayed time base circuit

The delayed time base is operative unless its TIME/DIV switch is in the OFF position. It starts immediately after the delay time, or upon receipt of the first trigger pulse after the delay time.

The sawtooth signal derived from the main time base sweep generator is passed to a comparator where it is compared with an accurately adjustable d.c. voltage, controlled by the DELAY TIME control.

The comparator output is pulse-shaped and provides the required delay pulse for the sweep-gating logic of the delayed time base generator. A sawtooth voltage is then initiated.

The delayed sweep is reset by the hold-off circuit of the delayed time base (end of the sweep detection) or by the main time base.

It can be started again by the output signal of the comparator after the initiation of the next main time base sweep.

When pushbutton MTB of the horizontal deflection mode controls is selected, the part of the trace coinciding with the delayed sweep is intensified.

### 3.1.8 Alternate time base logic

In ALT TB mode an electronic switch enables main time base display and delayed time base display to be alternately traced on the screen.

The two displays can be separated by varying the voltage applied to the vertical amplifier, derived from the driving circuits of the electronic switch. This separation is symmetrically variable by means of the TRACE SEPARATION control on the front panel.

In the ALT TB mode the vertical channel multivibrator is controlled by a signal derived from the electronic switch.

In the vertical and horizontal ALT modes, successively are displayed on the screen, Channel A and main time base, Channel A and delayed time base, Channel B and main time base, Channel B and delayed time base.

### 3.1.9 Power supply

The mains (line) supply is transformed and rectified before being applied to a d.c. to a.c. regulator.

When the instrument is operated from a battery supply, the battery output is connected directly to the d.c. to a.c. regulator.

The output of the regulator is coupled to a transformer and rectifier which, after rectification, provides the  $-1.5$  kV potential and the circuit supply lines. The  $-1.5$  kV is also multiplied to 8.5 kV to supply the required total accelerating voltage of  $\approx 10$  kV.

## 3.2 DISMANTLING THE INSTRUMENT

### 3.2.1 General information

This section provides the dismantling procedures required for the removal of components during repair and routine maintenance operations. All circuit boards removed from the oscilloscope should be adequately protected against damage, and all normal precautions regarding the use of tools must be observed.

During dismantling procedures, a careful note of all leads disconnected must be made so that they may be reconnected to their correct terminals during assembly.

Always ensure that the mains supply is disconnected before removing any instrument cover plates.

Damage may result if the instrument is switched on when a circuit board has been removed, or if a circuit board is removed within one minute of switching off the instrument.

### 3.2.2 Removing the instrument covers

The instrument is protected by three covers: a front panel protection cover, a wrap-around cover with carrying handle, and a rear panel.

To facilitate removal of the wrap-around cover and the rear panel, first ensure that the front cover is in position.

Then proceed as follows:

- hinge the carrying handle clear of the front cover; to this end, push both pivot centre buttons (Fig. 3.2.).
- stand the instrument on its protective front cover on a flat surface
- slacken the two coin-slot screws located on the rear panel
- lift the rear panel and unplug the connector on the power supply board
- lift off the wrap-around cover
- for access to the front-panel, stand the instrument horizontally and snap off the front cover.

### 3.2.3 Removing the carrying handle

- Prise off the centre knobs from each pivot, using a screwdriver (Fig. 3.3) in one of the small slots at the sides of the knobs
- Remove the cross-slotted screws that are now accessible
- Bend both arms of the handle slightly outwards and take it off the cabinet
- Grip and arms of the carrying handle must be ordered separately (see list of mechanical parts). A complete carrying handle can easily be constructed by pressing the arms into the grip.

### 3.2.4 Removing the bezel and the contrast plate

- Take hold of the bezel's bottom corners and gently pull it from the front panel.
- The contrast filter can be removed by pressing it gently out of the bezel.

### 3.2.5 Removing the knobs and the text plate

- The channel B POSITION, the X POSITION, the DTB LEVEL and the MTB LEVEL knobs can be removed after prising off the knob caps and unscrewing the slotted nuts that are then accessible.
- The remaining small knobs can be pulled off the shafts.
- The AMPL/DIV and TIME/DIV switch knobs can be removed after prising off the knob caps and unscrewing the hexagonal nuts that are then accessible.
- The delay-time multiplier knob (Fig. 3.4) can be removed in the following way:
  - Slacken screw A using a hexagonal key and pull the knob from the spindle
  - Remove the nut B and withdraw the ring from the spindle

When fitting the vernier control, turn the spindle of the potentiometer fully anticlockwise. Place the ring on the spindle so that the reference line corresponds to the zero mark on the calibrated scale. Then lock it with nut B. Fit the inner knob so that its cam is engaged with the slot in the ring. Rotate the inner knob until its zero mark coincides with the reference line on the ring. Secure the assembly by tightening screw A.

- When the knobs have been removed, the text plate can be taken off after removing the hexagonal nuts of the AMPL/DIV and the TIME/DIV switches.

### 3.2.6 Removing the front assembly

In order to gain access to parts on the AMPL/DIV switches, to replace trimmer capacitors or other components on the attenuator board, it is best to remove the front panel assembly as a whole in accordance with the following procedure:



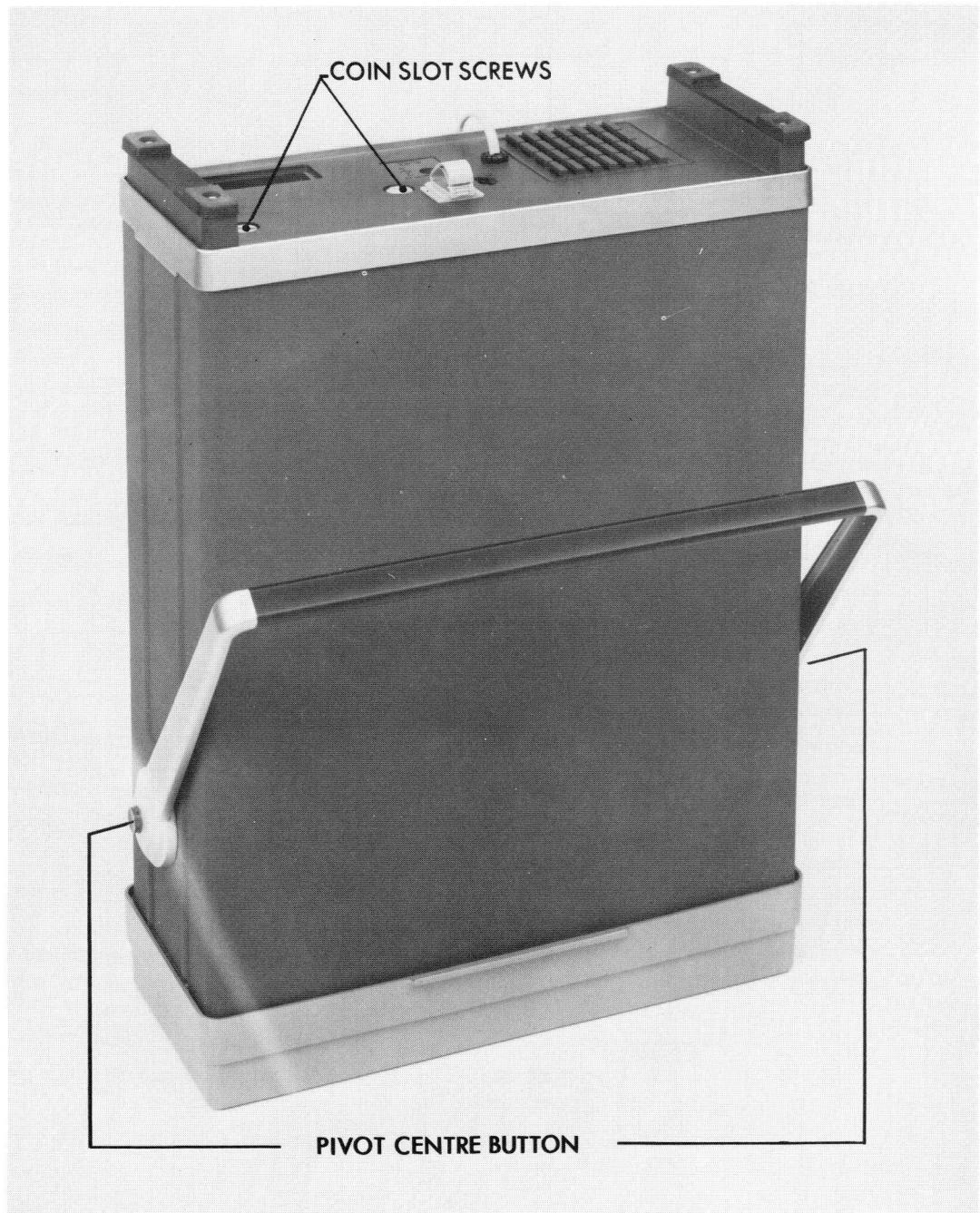


Fig. 3.2. Removing the instrument covers and the carrying handle.

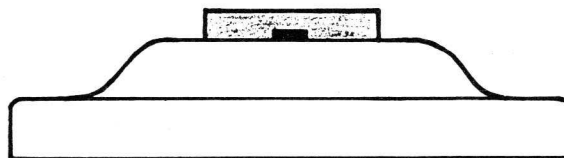


Fig. 3.3. Pivot centre button

- Remove the instrument covers in accordance with section 3.2.2.
- Remove the INTENS, FOCUS and ILLUM knobs by pulling them off the shaft
- Remove the earthing terminal at the front
- Remove the two screws C (Fig. 3.5)
- Remove the four hexagon screws D that secure the pushbutton switches to the front panel, (Fig. 3.6)
- Remove the two screws E that hold the attenuator to the frame bar (Fig. 3.7)
- Remove the three screws F (Fig. 3.8)
- Make a note of the positions of the miniature socket connections on the amplifier board
- Remove all plugs, miniature sockets, coaxial sockets and clamping terminals from the unit and the amplifier board
- Remove the complete front assembly from the instrument: screening covers can then be removed to gain access to and remove parts
- Before the pushbutton switches are refitted to the front panel, it is advisable to stick the two parts of each clamping device together by means of adhesive tape or non-hardening glue, in order to facilitate replacement, refer to Fig. 3.9.
- When the front panel assembly is reinstalled, make sure not to interchange the connections of the Y position controls. The connections are correct when the trace shifts upwards if the Y position control is rotated clockwise.

### 3.2.7 Replacing switches

#### 3.2.7.1 General

- To replace the AMPL/DIV switches, first remove the front panel assembly (section 3.2.6).
- To replace the TIME/DIV switch, first remove knobs and text plate (section 3.2.5).
- If one of the push-button switches of the main and delayed trigger source selectors (A, B, EXT, MTB or A, B, EXT, LINE) or an input coupling switch (AC/DC 0) must be replaced, it is best to remove the front panel assembly first (section 3.2.6). The defective switch is then replaced in accordance with the procedure described below.
- To replace one of the push-button switches of the vertical mode switch (A, ALT, CHOP, ADD, B) or the trigger and X deflection mode switches (AC, DC, DTB, MTB, X DEFL, AC, AUTO, DC) the amplifier board can be removed if so desired and the defective switch is then replaced as described below.

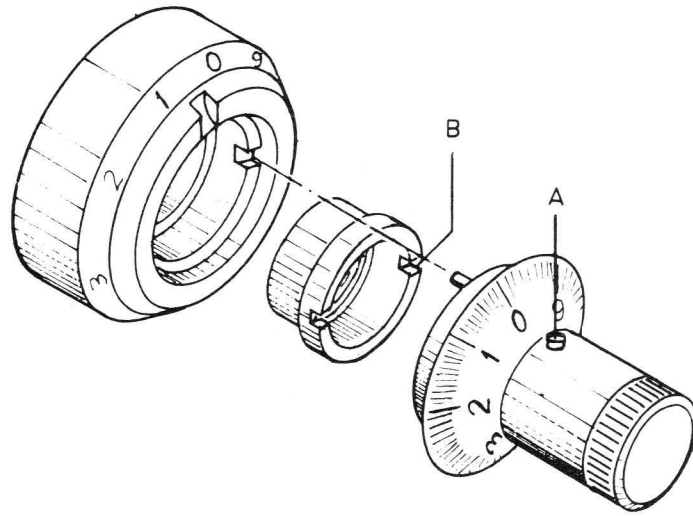
#### 3.2.7.2 Replacing a switch of a pushbutton unit

- Straighten the 4 retaining lugs of the relevant switch as shown in Fig 3.10.
- Break the body of the relevant switch by means of a pair of pliers and remove the pieces. The soldering pins are then accessible
- Remove the soldering pins and clean the holes in the printed-wiring board (e.g. with a suction soldering iron)
- Solder the new switch on to the printed-wiring board
- Bend the four retaining lugs back to their original positions

*Note: The ALT switch and the AC and MTB switch on the delayed time base compartment are dummy switches which can be replaced by a not self-releasing type.*

### 3.2.8 Replacing the cathode-ray tube

- Remove the instrument covers and rear frame (section 3.2.2)
- Remove bezel and contrast plate (section 3.2.4)
- Unplug the connectors on the c.r.t. neck
- Ease the base socket off the c.r.t.
- Slacken the brace around the c.r.t. neck
- Unplug the trace rotation coil connector on the amplifier board and pull cable and plug through the elongated hole in the centre frame
- Withdraw the c.r.t. through the front panel until the e.h.t. connector at the side of the tube becomes accessible
- Remove the e.h.t. connector
- Take the c.r.t. out of the instrument via the front panel; mind the wire and plug of the trace rotation coil
- Install a c.r.t. in reverse order; position the c.r.t. screen flush with the contrast plate. The torque applied to the screw of the brace around the c.r.t. neck must be between 0,4 and 0,6 Nm.



MA9556

Fig. 3.4 Removing the delay-time multiplier knob

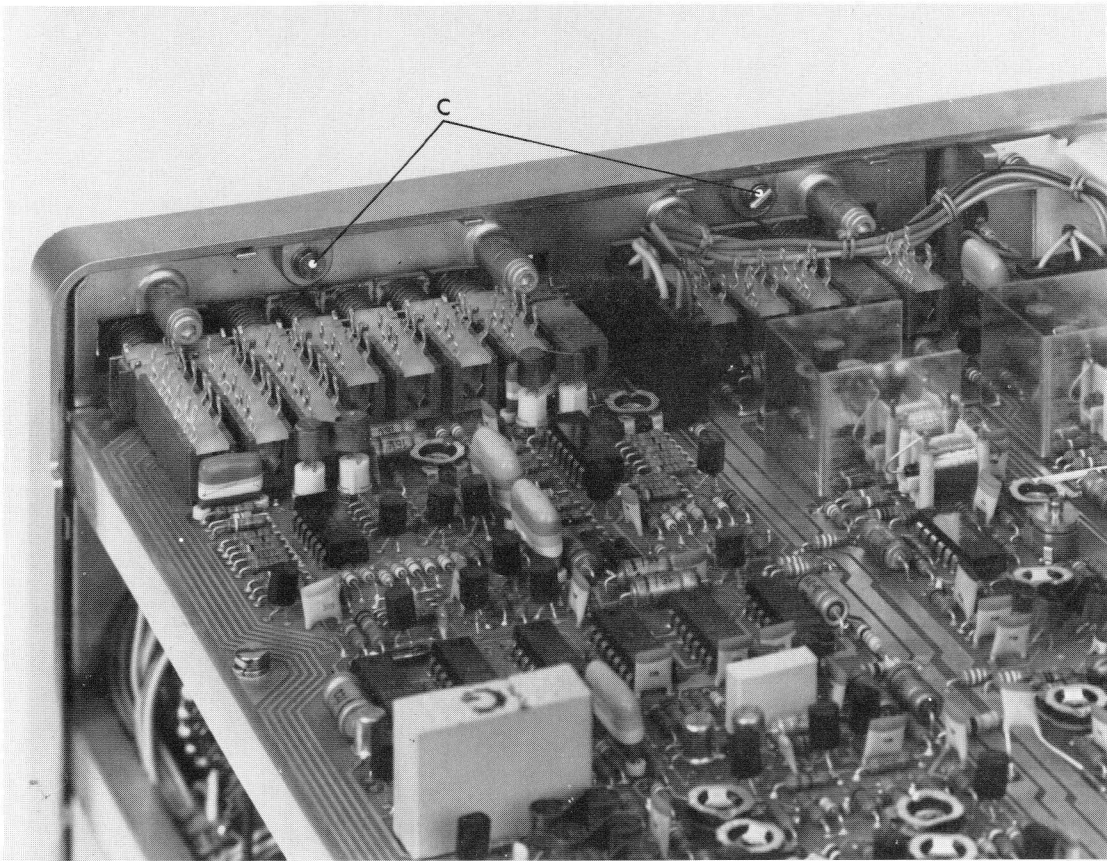


Fig. 3.5 Removing the front assembly (screws C)



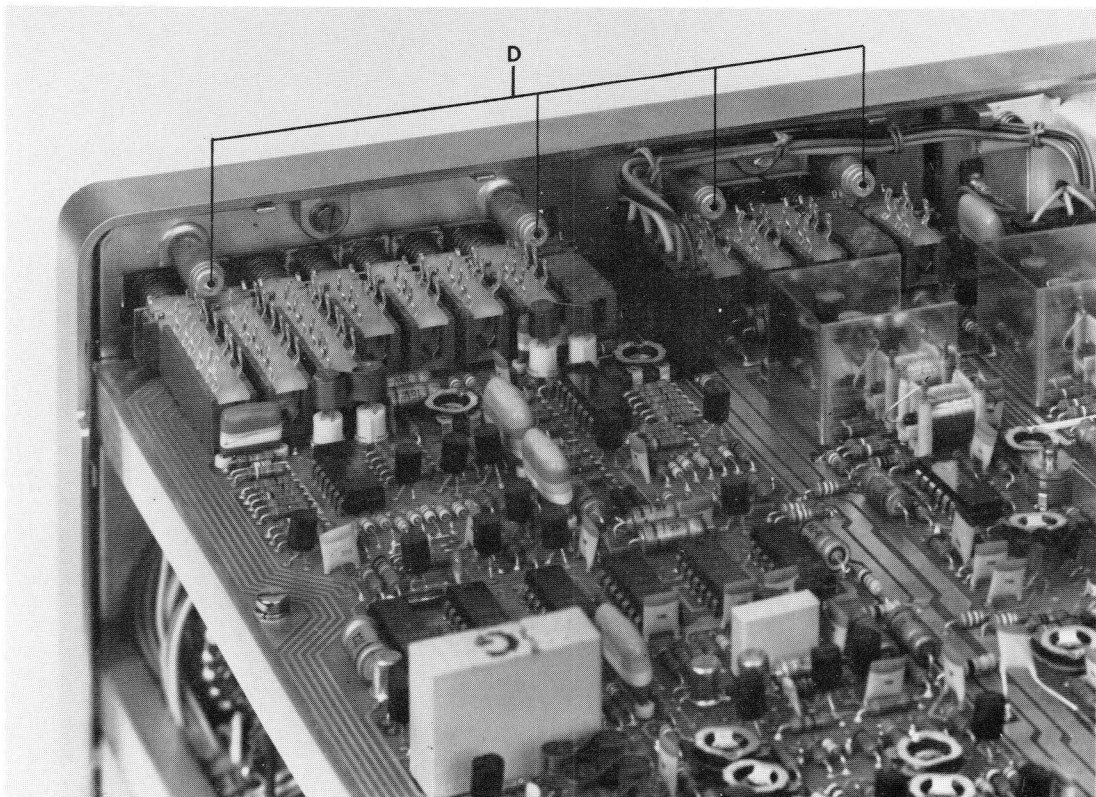


Fig. 3.6 Removing the pushbutton switches (screws D)

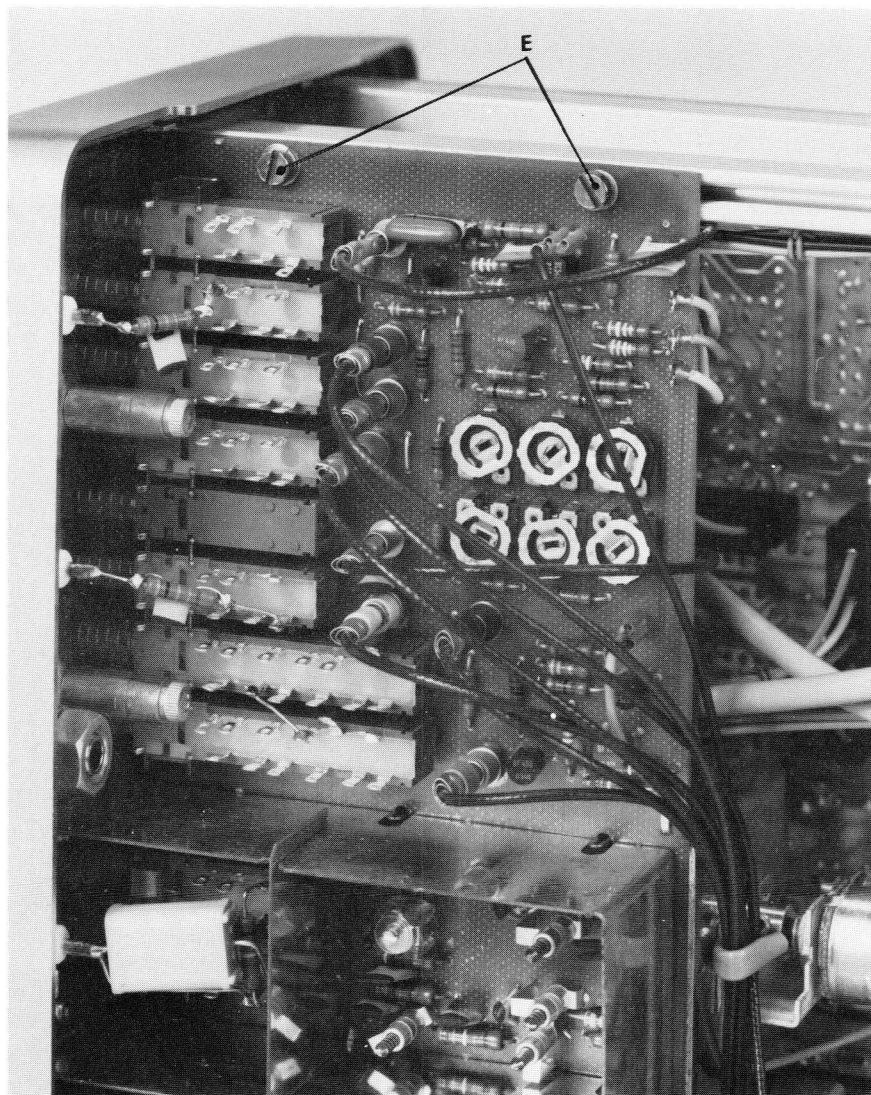


Fig. 3.7 Removing the front assembly (screws E)

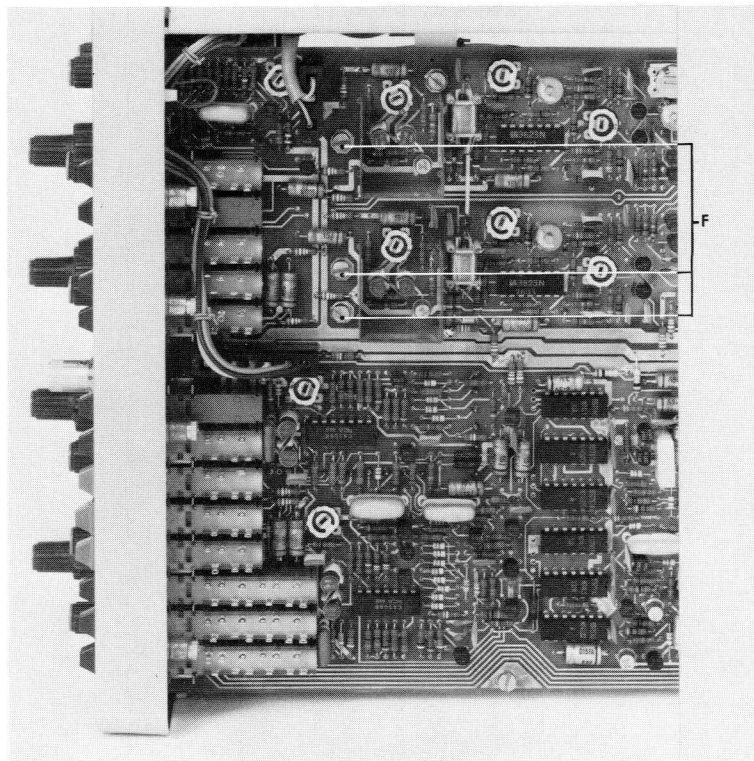


Fig. 3.8 Removing the front assembly (screws F)

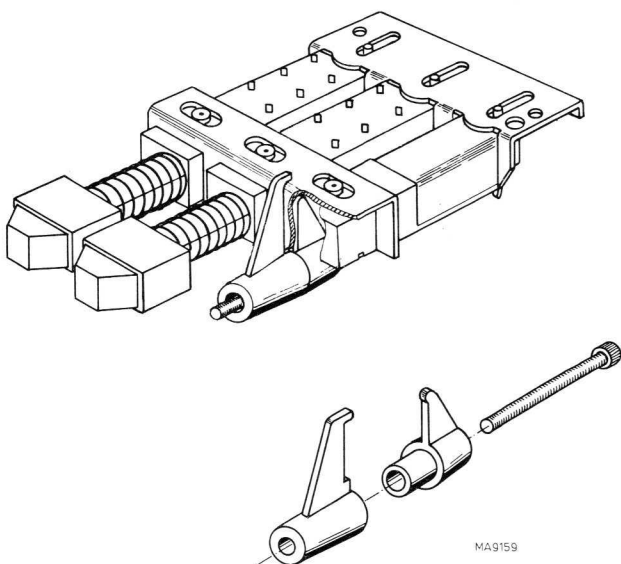


Fig. 3.9 Pushbutton set clamping device

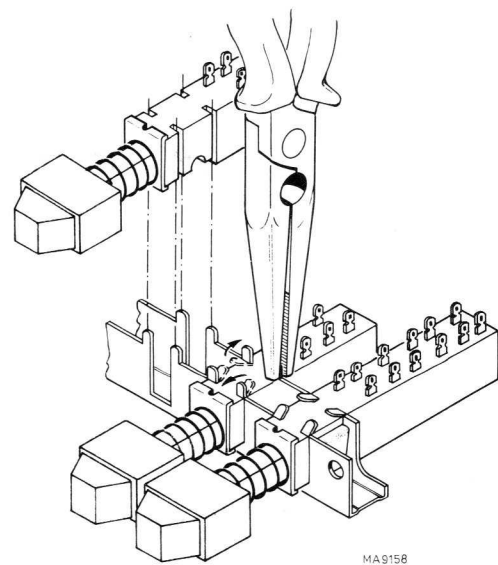
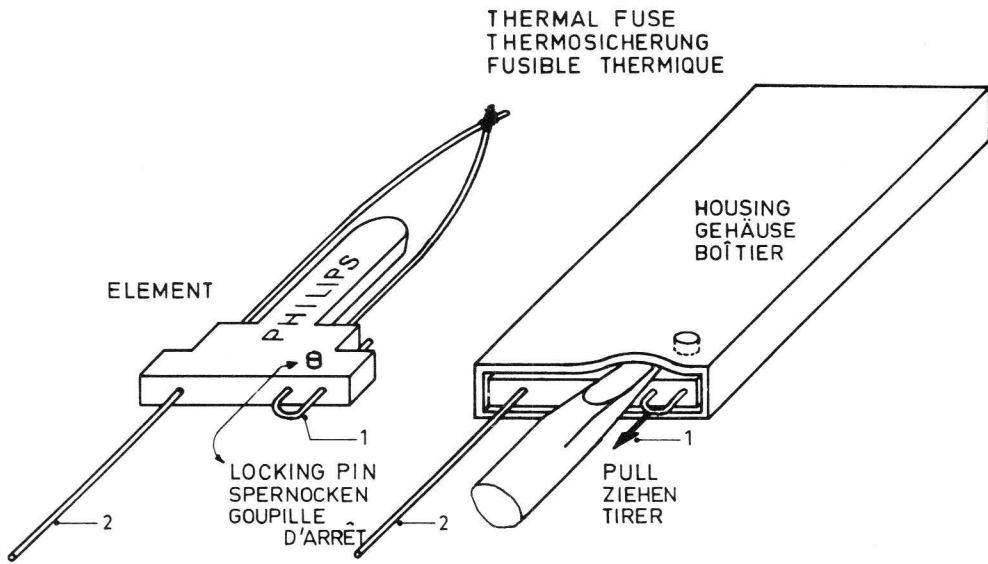


Fig. 3.10 Replacing a pushbutton switch



MA9567

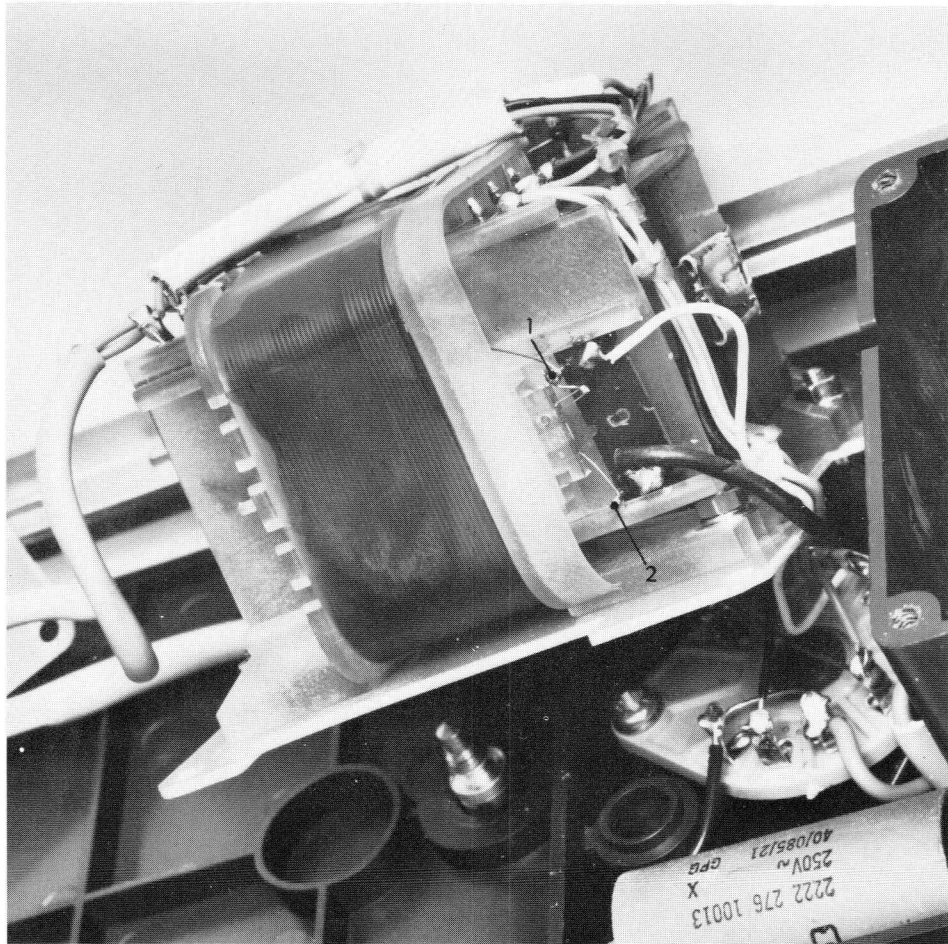


Fig. 3.11. Replacing the thermal fuse

### 3.2.9 Removing the mains transformer

- Remove wrap-around cover and rear panel (section 3.2.2)
- Take the lid off the voltage adapter compartment after removing the 4 cross-slotted screws
- Remove the 4 cross-slotted screws that hold the lid of the transformer compartment
- Lift the lid with the attached transformer, simultaneously sliding the wire form between transformer and voltage adapter out of the slit in the transformer compartment
- The transformer and thermal fuse are then accessible for replacement

### 3.2.10 Replacing the thermal fuse

- Remove the mains transformer (section 3.2.9)
- Unsolder fuse terminals 1 and 2 (Fig. 3.11)
- Only the fuse wire of the old fuse is replaced and not the complete fuse; to this end, bend the housing of the fuse slightly outwards, disengage the locking pin and pull out the wire
- Take the new fuse and remove the fuse wire out of its housing in the same way as described above
- Push the new fuse wire into the housing of the old one until the locking pin snaps into the hole. The loop in the fuse wire must point to terminal 1
- Solder the fuse wire to terminals 1 and 2

### 3.2.11 Replacing the delay line unit

- If there is a defect in the delay line, the complete delay line unit must be replaced.
- Replacement is self-evident, but take care not to interchange the connections at the same end of the delay line; interchange the connections when rotating the POSITION control clockwise, results in a downward movement of the trace.



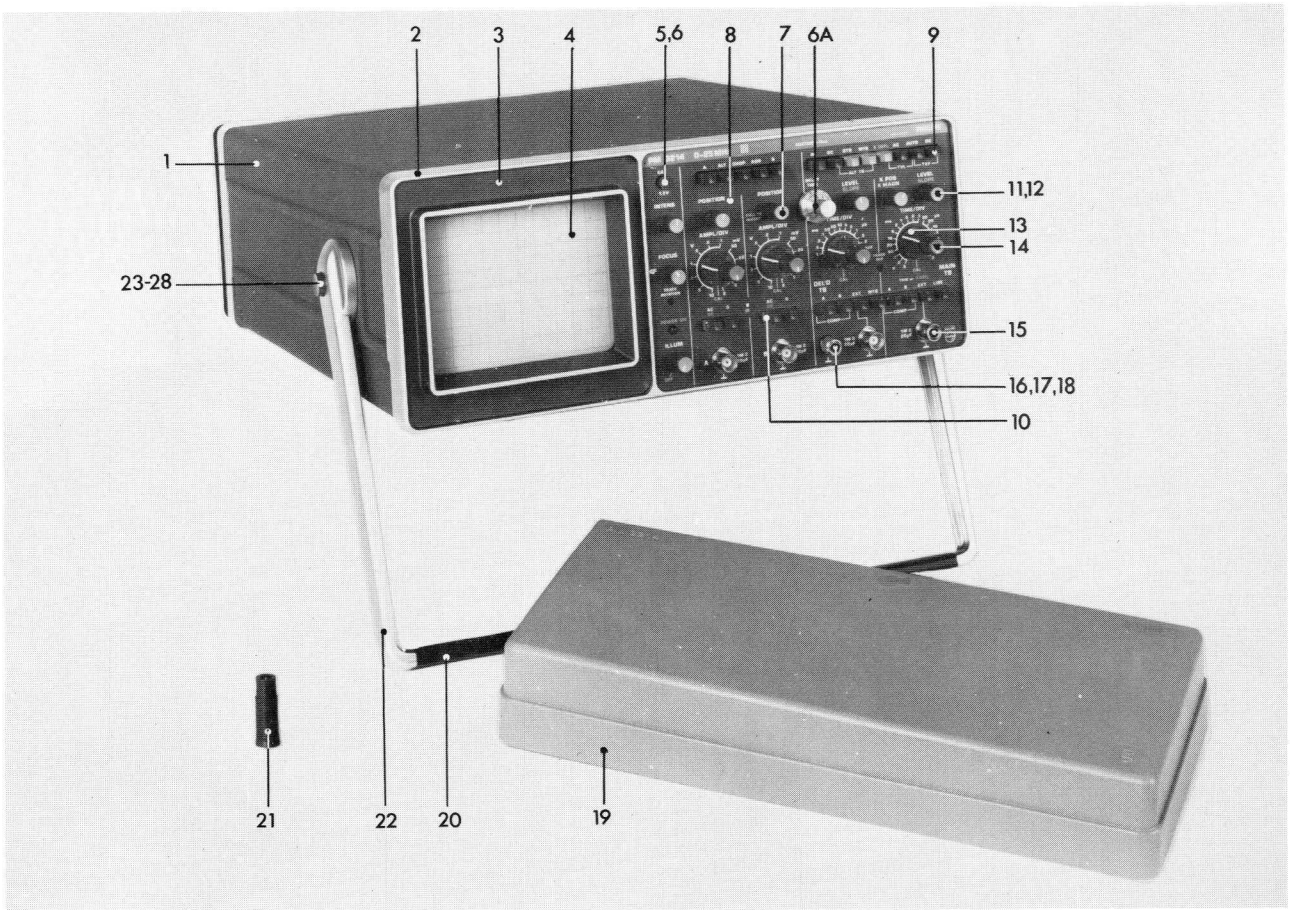


Fig. 3.12 Front view showing item numbers

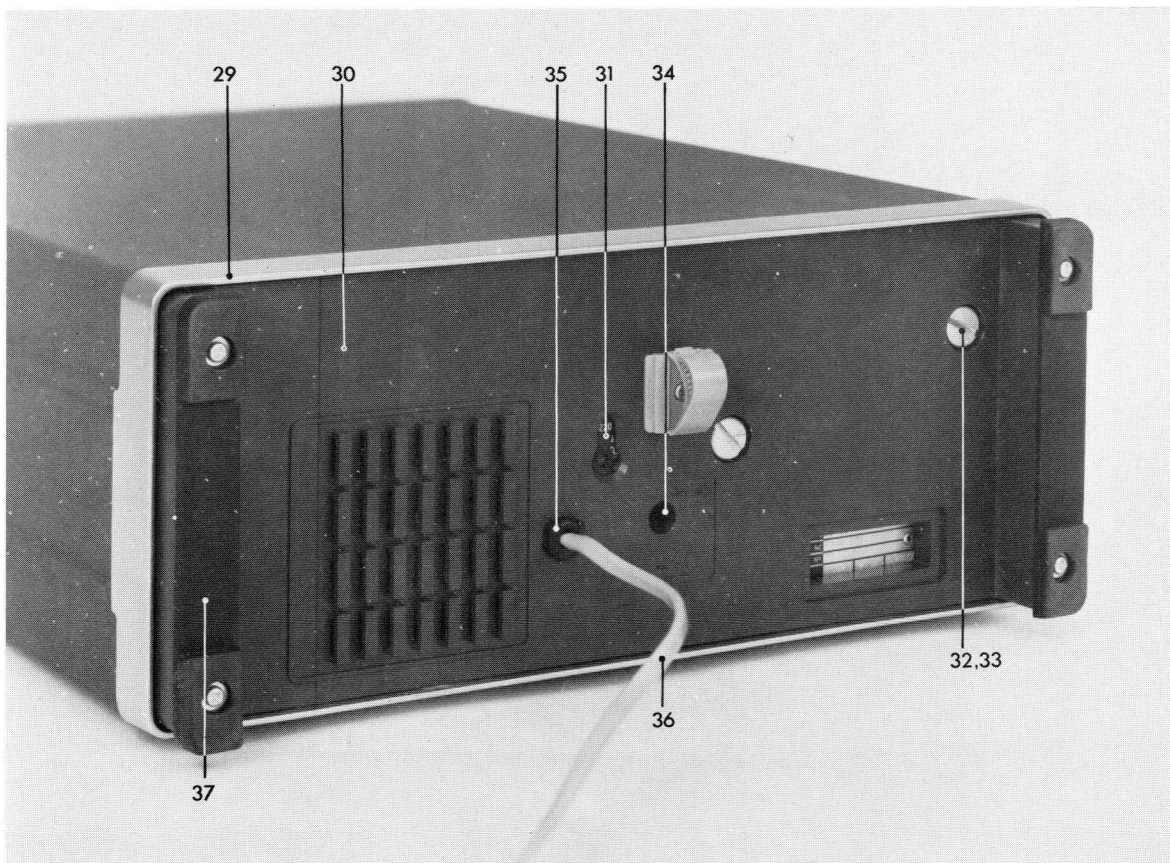


Fig. 3.13. Rear view showing item numbers

### 3.3 PARTS LISTS AND DIAGRAMS (Subject to alteration without notice)

#### 3.3.1 Mechanical parts

*Figure*

<i>Item</i>	<i>Qty</i>	<i>Order number</i>	<i>Designation</i>
1	1	5322 447 94399	Cabinet without handle
2	1	5322 447 94401	Cast aluminium front frame
3	1	5322 450 74009	Bezel
4	1	5322 480 34074	Contrast filter blue
5	1	5322 264 24015	Calibration terminal
6	1	5322 325 84013	Grommet for calibration terminal
6A	1	5322 414 34147	Counter knob
7	2	5322 414 34091	Knob
8	1	5322 455 84058	Text plate
9	23	5322 414 14011	Knob for push-button switch, grey
10	2	5322 414 25613	Knob for push-button switch, green
11	10	5322 414 34134	Knob
12	9	5322 414 74015	Knob cover grey
13	4	5322 414 34079	Knob
14	4	5322 414 74029	Knob cover blue
15	4	5322 267 10004	BNC connector
16	1	5322 535 84346	Earthing terminal
17	1	5322 505 14178	Knurled nut for earthing terminal
18	1	5322 506 14005	Hexagonal nut for earthing terminal
19	1	5322 447 94403	Front cover
20	1	5322 498 54077	Grip
21	1	5322 263 24005	BNC-4 mm adapter
22	2	5322 498 54072	Profile
23	2	5322 520 14267	Bearing bush
24	2	5322 528 34128	Ratchet
25	2	5322 530 84075	Spring
26	2	5322 414 64053	Knob
27	2	4822 502 30054	Screw
28	2	4822 532 10582	Washer

*Figure*

29	1	5322 447 94402	Cast aluminium rear frame
30	1	5322 447 94404	Rear panel
31	1	4822 272 10079	Line voltage adapter
32	2	5322 500 14228	Coin slot screw
33	2	4822 530 70126	Circlip
34	1	4822 265 20051	D.C. Power input connector
35	1	5322 325 50101	Line cable cleat
36	1	5322 321 14001	Line cable, European type
		5322 321 14021	Line cable, U.S.A. type
37	4	5322 462 44297	Foot

*Not shown*

38	5	5322 276 14102	Self-releasing push-button segment
39	19	5322 276 14117	Mutual-releasing push-button
40	1	5322 255 44088	LED holder
41	2	5322 255 24015	Lamp holder

ITEM	ORDERING NUMBER	FARAD	TOL (%)	VOLTS	REMARKS
CAPACITORS					
C 101	5322 121 44189	330NF		250	POLYESTER FOIL
C 200	4822 121 41161	100NF	10	250	POLYESTER FOIL
C 201	4822 122 31174	2,7NF	10	100	CERAMIC PLATE
C 202	4822 121 40443	680NF	10	250	POLYESTER FOIL
C 203	4822 124 70226	4700NF	-10+50	40	ELECTROLYTIC
C 204	4822 121 41161	100NF	10	250	POLYESTER FOIL
C 206	4822 124 20468	33UF	-10+50	16	ELECTROLYTIC
C 207	4822 121 40443	680NF	10	100	POLYESTER FOIL
C 208	4822 124 20477	47UF	-10+50	25	ELECTROLYTIC
C 209	4822 124 20475	10UF	-10+50	25	ELECTROLYTIC
C 211	4822 124 20453	68UF	-10+50	6,3	ELECTROLYTIC
C 212	5322 122 54004	470PF	20	4K	CERAMIC DISK
C 213	5322 122 54004	470PF	20	4K	CERAMIC DISK
C 214	5322 122 54004	470PF	20	4K	CERAMIC DISK
C 216	5322 122 54004	470PF	20	4K	CERAMIC DISK
C 217	5322 122 54004	470PF	20	4K	CERAMIC DISK
C 218	4822 121 40196	22NF	10	1600	POLYESTER FOIL
C 219	4822 121 40196	22NF	10	1600	POLYESTER FOIL
C 221	4822 124 20316	4UF	-10+50	250	ELECTROLYTIC
C 222	4822 124 20488	100UF	-10+50	40	ELECTROLYTIC
C 223	4822 124 20468	33UF	-10+50	16	ELECTROLYTIC
C 224	4822 124 20473	220UF	-10+50	16	ELECTROLYTIC
C 226	4822 124 20453	68UF	-10+50	6,3	ELECTROLYTIC
C 227	4822 124 20457	470UF	-10+50	6,3	ELECTROLYTIC
C 228	4822 124 20468	33UF	-10+50	16	ELECTROLYTIC
C 229	4822 124 20473	220UF	-10+50	16	ELECTROLYTIC
C 231	4822 124 20316	4UF	-10+50	250	ELECTROLYTIC
C 251	4822 124 20467	15UF	-10+50	16	ELECTROLYTIC
C 252	4822 124 20467	15UF	-10+50	16	ELECTROLYTIC
C 253	4822 124 20467	15UF	-10+50	16	ELECTROLYTIC
C 254	4822 124 20467	15UF	-10+50	16	ELECTROLYTIC
C 256	4822 122 30103	22NF	-20+80	40	CERAMIC PLATE
C 257	4822 124 20467	15UF	-10+50	16	ELECTROLYTIC
C 258	4822 124 20467	15UF	-10+50	16	ELECTROLYTIC
C 259	4822 124 20467	15UF	-10+50	16	ELECTROLYTIC
C 261	4822 122 30103	22NF	-20+80	40	CERAMIC PLATE
C 262	4822 122 30103	22NF	-20+80	40	CERAMIC PLATE
C 263	4822 122 30103	22NF	-20+80	40	CERAMIC PLATE
C 266	4822 122 30103	22NF	-20+80	40	CERAMIC PLATE
C 267	4822 124 20467	15UF	-10+50	16	ELECTROLYTIC
C 268	4822 122 30103	22NF	-20+80	40	CERAMIC PLATE
C 269	4822 124 20467	15UF	-10+50	16	ELECTROLYTIC
C 271	4822 122 30103	22NF	-20+80	40	CERAMIC PLATE
C 272	4822 124 20452	33UF	-10+50	6,3	ELECTROLYTIC
C 273	4822 124 20467	15UF	-10+50	16	ELECTROLYTIC
C 274	4822 124 20467	15UF	-10+50	16	ELECTROLYTIC
C 276	4822 122 30103	22NF	-20+80	40	CERAMIC PLATE
C 277	4822 122 30103	22NF	-20+80	40	CERAMIC PLATE
C 278	4822 124 20467	15UF	-10+50	16	ELECTROLYTIC
C 279	4822 124 20467	15UF	-10+50	16	ELECTROLYTIC
C 281	4822 124 20467	15UF	-10+50	16	ELECTROLYTIC
C 282	4822 122 30103	22NF	-20+80	40	CERAMIC PLATE
C 283	4822 122 30103	22NF	-20+80	40	CERAMIC PLATE
C 284	4822 121 41161	100NF	10	250	POLYESTER FOIL
C 286	4822 121 41161	100NF	10	250	POLYESTER FOIL
C 301	4822 121 40012	100NF	10	400	POLYESTER FOIL
C 305		47PF	2	500	TRIMMING POTM
C 307	5322 125 50051	18PF		300	TRIMMER
C 308		47PF	2	500	TRIMMING POTM
C 309	4822 122 31197	15PF	2	500	CERAMIC PLATE
C 310	4822 122 31197	15PF	2	500	CERAMIC PLATE
C 311	4822 122 31196	12PF	2	500	CERAMIC PLATE
C 312	4822 122 31217	3,9PF	0,25PF	500	CERAMIC PLATE
C 313	5322 125 54027	5,5PF		400	TRIMMER
C 314	5322 125 54027	5,5PF		400	TRIMMER
C 315	4822 122 31184	1,5PF	0,25PF	500	CERAMIC PLATE
C 316	5322 125 54026	3PF		400	TRIMMER
C 317	5322 125 54026	3PF		400	TRIMMER

ITEM	ORDERING NUMBER	FARAD	TOL (%)	VOLTS	REMARKS
C 318	5322 125 54026	3PF		400	TRIMMER
C 319	5322 125 54026	3PF		400	TRIMMER
C 320	4822 122 31186	2,2PF	0,25PF	500	CERAMIC PLATE
C 321	4822 122 30045	27PF	2	100	CERAMIC PLATE
C 322	4822 122 30093	120PF	2	100	CERAMIC PLATE
C 324	4822 122 30093	120PF	2	100	CERAMIC PLATE
C 351	4822 122 31199	22PF	2	500	CERAMIC PLATE
C 352	4822 122 31074	56PF	2	100	CERAMIC PLATE
C 353	4822 122 30103	22NF	-20+80	40	CERAMIC PLATE
C 356	4822 121 41161	100NF	10	250	POLYESTER FOIL
C 401	4822 121 40012	100NF	10	400	POLYESTER FOIL
C 405		47PF	2	500	TRIMMING POTM
C 407	5322 125 50051	18PF		300	TRIMMER
C 408		47PF	2	500	TRIMMING POTM
C 409	4822 122 31197	15PF	2	500	CERAMIC PLATE
C 410	4822 122 31197	15PF	2	500	CERAMIC PLATE
C 411	4822 122 31196	12PF	2	500	CERAMIC PLATE
C 412	4822 122 31217	3,9PF	0,25PF	500	CERAMIC PLATE
C 413	5322 125 54027	5,5PF		400	TRIMMER
C 414	5322 125 54027	5,5PF		400	TRIMMER
C 415	4822 122 31184	1,5PF	0,25PF	500	CERAMIC PLATE
C 416	5322 125 54026	,3PF		400	TRIMMER
C 417	5322 125 54026	3PF		400	TRIMMER
C 418	5322 125 54026	3PF		400	TRIMMER
C 419	5322 125 54026	3PF		400	TRIMMER
C 420	4822 122 31186	2,2PF	0,25PF	500	CERAMIC PLATE
C 421	4822 122 30045	27PF	2	100	CERAMIC PLATE
C 422	4822 122 30093	120PF	2	100	CERAMIC PLATE
C 424	4822 122 30093	120PF	2	100	CERAMIC PLATE
C 451	4822 122 31199	22PF	2	500	CERAMIC PLATE
C 452	4822 122 31076	68PF	2	100	CERAMIC PLATE
C 453	4822 122 30104	1PF	0,25PF	100	CERAMIC PLATE
C 501	4822 122 31063	22PF	2	100	CERAMIC PLATE
C 502		22PF		100	TRIMMING POTM
C 504	4822 122 30103	22NF	-20+80	40	CERAMIC PLATE
C 507	4822 122 30103	22NF	-20+80	40	CERAMIC PLATE
C 508		22PF		100	TRIMMING POTM
C 509	4822 122 30103	22NF	-20+80	40	CERAMIC PLATE
C 510	4822 122 31056	12PF	2	100	CERAMIC PLATE
C 511	4822 122 31067	33PF	2	100	CERAMIC PLATE
C 512	4822 122 31174	2,7NF	10	100	CERAMIC PLATE
C 513	4822 122 30103	22NF	-20+80	40	CERAMIC PLATE
C 514	4822 122 31174	2,7NF	10	100	CERAMIC PLATE
C 517	4822 122 30103	22NF	-20+80	40	CERAMIC PLATE
C 518	4822 122 30103	22NF	-20+80	40	CERAMIC PLATE
C 519	4822 122 30103	22NF	-20+80	40	CERAMIC PLATE
C 521	4822 122 30103	22NF	-20+80	40	CERAMIC PLATE
C 522	4822 122 31085	150PF	2	100	CERAMIC PLATE
C 523	4822 122 30103	22NF	-20+80	40	CERAMIC PLATE
C 601	4822 122 31063	22PF	2	100	CERAMIC PLATE
C 602		22PF		100	TRIMMING POTM
C 604	4822 122 30103	22NF	-20+80	40	CERAMIC PLATE
C 607	4822 122 30103	22NF	-20+80	40	CERAMIC PLATE
C 608	4822 122 30045	27PF	2	100	CERAMIC PLATE
C 609	4822 122 30103	22NF	-20+80	40	CERAMIC PLATE
C 611	4822 122 31067	33PF	2	100	CERAMIC PLATE
C 612	4822 122 31174	2,7NF	10	100	CERAMIC PLATE
C 613	4822 122 30103	22NF	-20+80	40	CERAMIC PLATE
C 614	4822 122 31174	2,7NF	10	100	CERAMIC PLATE
C 616	4822 122 30103	22NF	-20+80	40	CERAMIC PLATE
C 617	4822 122 30103	22NF	-20+80	40	CERAMIC PLATE
C 618	4822 122 30103	22NF	-20+80	40	CERAMIC PLATE
C 619	4822 122 30103	22NF	-20+80	40	CERAMIC PLATE
C 621	4822 122 30103	22NF	-20+80	40	CERAMIC PLATE
C 622	4822 122 31085	150PF	2	100	CERAMIC PLATE
C 623	4822 122 30103	22NF	-20+80	40	CERAMIC PLATE
C 701	4822 122 30103	22NF	-20+80	40	CERAMIC PLATE
C 702	4822 122 31168	270PF	10	100	CERAMIC PLATE
C 703	4822 122 31174	2,7NF	10	100	CERAMIC PLATE
C 704	4822 122 31174	2,7NF	10	100	CERAMIC PLATE



ITEM	ORDERING NUMBER	FARAD	TOL (%)	VOLTS	REMARKS
C 705	4822 122 31125	4,7NF	-20+80	40	CERAMIC PLATE
C 706	4822 122 30103	22NF	-20+80	40	CERAMIC PLATE
C 707	4822 122 30103	22NF	-20+80	40	CERAMIC PLATE
C 801	4822 122 30103	22NF	-20+80	40	CERAMIC PLATE
C 802	4822 122 31074	56PF	2	100	CERAMIC PLATE
C 803	4822 121 41134	10NF	10	250	POLYESTER FOIL
C 804	4822 122 30113	180PF	2	100	CERAMIC PLATE
C 805	4822 122 30105	1,5PF	0,25PF	100	CERAMIC PLATE
C 806	4822 122 31221	1,5NF	10	100	CERAMIC PLATE
C 807	4822 122 31074	56PF	2	100	CERAMIC PLATE
C 808	4822 122 31078	82PF	2	100	CERAMIC PLATE
C 809		22PF		100	TRIMMING POTM
C 810	4822 122 30105	1,5PF	0,25PF	100	CERAMIC PLATE
C 811		22PF		100	TRIMMING POTM
C 813	4822 122 30103	22NF	-20+80	40	CERAMIC PLATE
C 814	4822 122 31061	18PF	2	100	CERAMIC PLATE
C 815	4822 122 30103	22NF	-20+80	40	CERAMIC PLATE
C 816	4822 122 31061	18PF	2	100	CERAMIC PLATE
C 817		0,56PF	0,25PF	100	TRIMMING POTM
C 818	5322 125 50048	3,5PF		300	TRIMMER
C 819	4822 122 30103	22NF	-20+80	40	CERAMIC PLATE
C 821	4822 122 30103	22NF	-20+80	40	CERAMIC PLATE
C 1001	4822 121 40427	220NF	10	100	POLYESTER FOIL
C 1002	4822 121 40438	470NF	10	100	POLYESTER FOIL
C 1003	4822 121 40438	470NF	10	100	POLYESTER FOIL
C 1004	4822 122 30103	22NF	-20+80	40	CERAMIC PLATE
C 1005	4822 122 31043	3,9PF	0,25PF	100	CERAMIC PLATE
C 1006	4822 124 20467	15UF	-10+50	16	ELECTROLYTIC
C 1007	4822 122 30103	22NF	-20+80	40	CERAMIC PLATE
C 1008		0,56PF	0,25PF	100	TRIMMING POTM
C 1009	4822 122 31125	4,7NF	-20+80	40	CERAMIC PLATE
C 1011	4822 122 31125	4,7NF	-20+80	40	CERAMIC PLATE
C 1012	4822 122 30098	3,9NF	10	100	CERAMIC PLATE
C 1101	4822 121 40427	22NF	-20+80	40	POLYESTER FOIL
C 1102	4822 122 30103	22NF	-20+80	40	CERAMIC PLATE
C 1103	4822 122 30103	22NF	-20+80	40	CERAMIC PLATE
C 1104		0,56PF	0,25PF	100	TRIMMING POTM
C 1201	4822 124 20476	22UF	-10+50	25	ELECTROLYTIC
C 1203	5322 121 54127	3,9NF	1	63	POLYSTYRENE FOIL
C 1204	4822 122 30098	3,9NF	10	100	CERAMIC PLATE
C 1205	4822 122 30113	180PF	2	100	CERAMIC PLATE
C 1206	5322 121 40283	3,3μF	10	100	POLYESTER FOIL
C 1207	4822 121 40434	330NF	10	100	POLYESTER FOIL
C 1208	4822 122 31175	1NF	10	100	CERAMIC PLATE
C 1209	4822 122 30103	22NF	-20+80	40	CERAMIC PLATE
C 1210	4822 124 20467	15UF	-10+50	16	ELECTROLYTIC
C 1301		0,56PF	0,25PF	100	TRIMMING POTM
C 1302		1,8NF	1	125	TRIMMING POTM
C 1303	4822 121 40231	150NF	10	100	POLYESTER FOIL
C 1304	4822 122 31175	1NF	10	100	CERAMIC PLATE
C 1305	4822 122 30103	22NF	-20+80	40	CERAMIC PLATE
C 1306	4822 122 30103	22NF	-20+80	40	CERAMIC PLATE
C 1307	4822 124 20452	33UF	-10+50	6,3	ELECTROLYTIC
C 1308	4822 122 30103	22NF	-20+80	40	CERAMIC PLATE
C 1309	4822 122 30103	22NF	-20+80	40	CERAMIC PLATE
C 1310	4822 122 30103	22NF	-20+80	40	CERAMIC PLATE
C 1311	4822 122 30103	22NF	-20+80	40	CERAMIC PLATE
C 1312	4822 122 30103	22NF	-20+80	40	CERAMIC PLATE
C 1313	4822 122 30103	22NF	-20+80	40	CERAMIC PLATE
C 1314	4822 122 30103	22NF	-20+80	40	CERAMIC PLATE
C 1315	4822 122 30113	180PF	2	100	CERAMIC PLATE
C 1316	4822 122 30103	22NF	-20+80	40	CERAMIC PLATE
C 1402	4822 122 30103	22NF	-20+80	40	CERAMIC PLATE
C 1403	4822 122 31054	10PF	2	100	CERAMIC PLATE
C 1404	4822 122 30104	1PF	0,25PF	100	CERAMIC PLATE
C 1406	4822 122 30104	1PF	0,25PF	100	CERAMIC PLATE
C 1407	4822 122 30104	1PF	0,25PF	100	CERAMIC PLATE
C 1408	4822 122 30104	1PF	0,25PF	100	CERAMIC PLATE
C 1409	4822 122 30103	22NF	-20+80	40	CERAMIC PLATE
C 1411	4822 122 30103	22NF	-20+80	40	CERAMIC PLATE

ITEM	ORDERING NUMBER	FARAD	TOL (%)	VOLTS	REMARKS
C 1412	4822 122 30103	22NF	-20+80	40	CERAMIC PLATE
C 1413	4822 121 40407	22NF	10	250	POLYESTER FOIL
C 1414	4822 121 40407	22NF	10	250	POLYESTER FOIL
C 1416	4822 121 41161	100NF	10	250	POLYESTER FOIL
C 1417	4822 121 41161	100NF	10	250	POLYESTER FOIL
C 1501	4822 122 30103	22NF	-20+80	40	CERAMIC PLATE
C 1502	4822 122 30103	22NF	-20+80	40	CERAMIC PLATE
C 1503	4822 122 30104	1PF	0,25PF	100	CERAMIC PLATE
C 1504	4822 122 30043	10NF	-20+80	40	CERAMIC PLATE
C 1506	4822 122 30128	4,7NF	10	100	CERAMIC PLATE
C 1507	4822 122 30128	4,7NF	10	100	CERAMIC PLATE
C 1508	4822 121 40354	1,5NF	10	1600	POLYESTER FOIL
C 1509	4822 122 30103	22NF	-20+80	40	CERAMIC PLATE
C 1511	4822 121 40354	1,5NF	10	1600	POLYESTER FOIL
C 1512	4822 121 40354	1,5NF	10	1600	POLYESTER FOIL
C 1601	4822 121 40434	330NF	10	100	POLYESTER FOIL
C 1602	4822 122 31072	47PF	2	100	CERAMIC PLATE
C 1651	4822 122 31076	68PF	2	100	CERAMIC PLATE
C 1652	4822 122 31172	180PF	10	100	CERAMIC PLATE
C 1653	4822 122 31058	15PF	2	100	CERAMIC PLATE
C 1654		33PF	2	100	TRIMMING POTM
C 1655	4822 122 30113	180PF	2	100	CERAMIC PLATE
C 1656		33PF	2	100	TRIMMING POTM
C 1657	4822 122 30043	10NF	-20+80	40	CERAMIC PLATE
C 1658	4822 122 30043	10NF	-20+80	40	CERAMIC PLATE
C 1659	4822 122 30103	22NF	-20+80	40	CERAMIC PLATE
C 1660	4822 122 30103	22NF	-20+80	40	CERAMIC PLATE

ITEM	ORDERING NUMBER	OHM	TOL (%)	TYPE	REMARKS
RESISTORS					
R 1		10K	20	0,1W	TRIMMING POTM
R 2		1K	20	0,1W	TRIMMING POTM
R 3	5322 101 64018	1K	20	0,1W	CARBON POTM LIN + SWITCH
R 4	5322 103 64016	5K	5	2W	WIRE-WOUND POTENTIOMETER
R 5		100K	20	0,1W	TRIMMING POTM
R 6	5322 102 44004	2x47K	20		CARBON TANDEM POTM + SWITCH
R 7		100K	20	0,1W	TRIMMING POTM
R 8	5322 101 24098	2,2M	20	0,1W	CARBON POTM LIN
R 9	5322 101 44024	1K	20	0,1W	CARBON POTM LIN + SWITCH
R 10	5322 101 44024	1K	20	0,1W	CARBON POTM LIN + SWITCH
R 11	5322 101 44023	10K	20		CARBON POTM LIN + SWITCH
R 12	5322 101 44023	10K	20		CARBON POTM LIN + SWITCH
R 13	5322 101 20408	100K	20	0,1W	CARBON POTM LIN
R 14		47K	20	0,1W	TRIMMING POTM
R 15	5322 101 44025	22K	20	0,1W	CARBON POTM LIN + SWITCH
R 200	5322 116 54619	10K	1	MR25	METAL FILM
R 201	5322 116 54646	23,7K	1	MR25	METAL FILM
R 202	5322 116 54557	1,21K	1	MR25	METAL FILM
R 203	5322 116 54549	1K	1	MR25	METAL FILM
R 204	5322 101 14051	220	20	0,5W	TRIMMING POTM
R 206	5322 116 50414	2,87K	1	MR25	METAL FILM
R 207	5322 116 50636	2,74K	1	MR25	METAL FILM
R 208	5322 116 50904	30,1	1	MR25	METAL FILM
R 209	5322 116 50904	30,1	1	MR25	METAL FILM
R 210	5322 116 54188	1M	1	MR30	METAL FILM
R 211	5322 111 50345	8,2M	5	1W	CARBON
R 212	5322 116 54619	10K	1	MR25	METAL FILM
R 227	5322 116 54499	249	1	MR25	METAL FILM
R 251	5322 116 50568	4,99	1	MR25	METAL FILM
R 252	5322 116 50568	4,99	1	MR25	METAL FILM
R 253	5322 116 50568	4,99	1	MR25	METAL FILM
R 254	5322 116 50568	4,99	1	MR25	METAL FILM
R 256	5322 116 50568	4,99	1	MR25	METAL FILM

ITEM	ORDERING NUMBER	OHM	TOL (%)	TYPE	REMARKS
R 257	5322 116 50568	4,99	1	MR25	METAL FILM
R 258	5322 116 50568	4,99	1	MR25	METAL FILM
R 259	5322 116 50568	4,99	1	MR25	METAL FILM
R 261	4822 110 63027	1	5	CR25	CARBON
R 262	5322 116 50568	4,99	1	MR25	METAL FILM
R 263	5322 116 50568	4,99	1	MR25	METAL FILM
R 264	5322 116 50568	4,99	1	MR25	METAL FILM
R 266	5322 116 50568	4,99	1	MR25	METAL FILM
R 267	5322 116 50568	4,99	1	MR25	METAL FILM
R 268	4822 110 63027	1	5	CR25	CARBON
R 269	5322 116 50568	4,99	1	MR25	METAL FILM
R 271	5322 116 50568	4,99	1	MR25	METAL FILM
R 272	5322 116 50568	4,99	1	MR25	METAL FILM
R 273	4822 110 63027	1	5	CR25	CARBON
R 274	5322 116 50568	4,99	1	MR25	METAL FILM
R 276	4822 110 63027	1	5	CR25	CARBON
R 277	4822 110 63027	1	5	CR25	CARBON
R 278	5322 116 50568	4,99	1	MR25	METAL FILM
R 279	5322 116 54469	100	1	MR25	METAL FILM
R 281	5322 116 54469	100	1	MR25	METAL FILM
R 302	5322 116 54188	1M	1	MR30	METAL FILM
R 303	5322 116 54469	100	1	MR25	METAL FILM
R 304	5322 116 54459	75	1	MR25	METAL FILM
R 306	5322 116 54459	75	1	MR25	METAL FILM
R 307		191K	1	MR30	TRIMMING POTM
R 308	5322 116 54263	681K	1	MR30	METAL FILM
R 309		845K	1	MR30	TRIMMING POTM
R 311	5322 116 55139	549K	1	MR30	METAL FILM
R 312	5322 116 54727	205K	1	MR25	METAL FILM
R 313		732K	1	MR30	TRIMMING POTM
R 314	5322 116 55078	806K	1	MR30	METAL FILM
R 316	4822 110 63212	8,2M	10	CR25	CARBON
R 317	5322 116 54188	1M	1	MR30	METAL FILM
R 318		90,9K	0,25	MR24C	TRIMMING POTM
R 319		8,25K	0,25	MR24C	TRIMMING POTM
R 351	4822 100 10051	22K	20	0,05W	TRIMMING POTM
R 352	5322 116 54643	20,5K	1	MR25	METAL FILM
R 353	4822 100 10051	22K	20	0,05W	TRIMMING POTM
R 354	5322 116 54643	20,5K	1	MR25	METAL FILM
R 355	5322 116 50515	1,78K	1	MR25	METAL FILM
R 356	4822 100 10051	22K	20	0,05W	TRIMMING POTM
R 357	5322 116 54643	20,5K	1	MR25	METAL FILM
R 358	5322 116 55078	806K	1	MR30	METAL FILM
R 359	5322 116 54012	6,81K	1	MR25	METAL FILM
R 360	5322 116 54549	1K	1	MR25	METAL FILM
R 361	5322 116 54603	6,49K	1	MR25	METAL FILM
R 362	5322 116 54567	1,69K	1	MR25	METAL FILM
R 363	5322 116 50664	2,05K	1	MR25	METAL FILM
R 364	5322 116 54557	1,21K	1	MR25	METAL FILM
R 365	5322 116 54499	249	1	MR25	METAL FILM
R 366	5322 116 50818	44,2	1	MR25	METAL FILM
R 367	5322 116 54714	154K	1	MR25	METAL FILM
R 368	5322 116 54335	750K	1	MR30	METAL FILM
R 369	5322 116 50568	4,99	1	MR25	METAL FILM
R 374	5322 116 54587	3,65K	1	MR25	METAL FILM
R 402	5322 116 54188	1M	1	MR30	METAL FILM
R 403	5322 116 54469	100	1	MR25	METAL FILM
R 404	5322 116 54459	75	1	MR25	METAL FILM
R 406	5322 116 54459	75	1	MR25	METAL FILM
R 407		191K	1	MR30	TRIMMING POTM
R 408	5322 116 54263	681K	1	MR30	METAL FILM
R 409		845K	1	MR30	TRIMMING POTM
R 411	5322 116 55139	549K	1	MR30	METAL FILM
R 412	5322 116 54727	205K	1	MR25	METAL FILM
R 413		732K	1	MR30	TRIMMING POTM
R 414	5322 116 55078	806K	1	MR30	METAL FILM
R 416	4822 110 63212	8,2M	10	CR25	CARBON
R 417	5322 116 54188	1M	1	MR30	METAL FILM
R 418		90,9K	0,25	MR24C	TRIMMING POTM
R 419		8,25K	0,25	MR24C	TRIMMING POTM
R 451	5322 116 54589	3,83K	1	MR25	METAL FILM

ITEM	ORDERING NUMBER	OHM	TOL (%)	TYPE	REMARKS
R 452	5322 116 54643	20,5K	1	MR25	METAL FILM
R 453	4822 100 10051	22K	20	0.05W	TRIMMING POTM
R 454	5322 116 54643	20,5K	1	MR25	METAL FILM
R 456	4822 100 10051	22K	20	0.05W	TRIMMING POTM
R 457	5322 116 54643	20,5K	1	MR25	METAL FILM
R 458	4822 100 10051	22K	20	0.05W	TRIMMING POTM
R 459	5322 116 50568	4,99	1	MR25	METAL FILM
R 461	5322 116 55078	806K	1	MR30	METAL FILM
R 462	5322 116 50581	2,49K	1	MR25	METAL FILM
R 463	5322 116 54549	1K	1	MR25	METAL FILM
R 464	5322 116 54567	1,69K	1	MR25	METAL FILM
R 466	5322 116 54541	825	1	MR25	METAL FILM
R 467	5322 116 54567	1,69K	1	MR25	METAL FILM
R 468	5322 116 50524	3,01K	1	MR25	METAL FILM
R 469	5322 116 50818	44,2	1	MR25	METAL FILM
R 500	5322 116 54442	51,1	1	MR25	METAL FILM
R 501	5322 116 55078	806K	1	MR30	METAL FILM
R 502	5322 116 54442	51,1	1	MR25	METAL FILM
R 503	5322 116 50443	12,7K	1	MR25	METAL FILM
R 504	4822 100 10038	470	20	0.05W	TRIMMING POTM
R 506	5322 116 50443	12,7K	1	MR25	METAL FILM
R 507	5322 116 50561	590	1	MR25	METAL FILM
R 508	5322 116 50608	6,19K	1	MR25	METAL FILM
R 509	5322 116 50608	6,19K	1	MR25	METAL FILM
R 511	5322 116 50571	715	1	MR25	METAL FILM
R 512	5322 116 54525	511	1	MR25	METAL FILM
R 513	5322 116 54525	511	1	MR25	METAL FILM
R 514	5322 116 50571	715	1	MR25	METAL FILM
R 516	5322 116 54469	100	1	MR25	METAL FILM
R 517	5322 116 50664	2,05K	1	MR25	METAL FILM
R 518	5322 116 54519	402	1	MR25	METAL FILM
R 519	4822 100 10037	1K	20	0.05W	TRIMMING POTM
R 521	5322 116 50818	44,2	1	MR25	METAL FILM
R 522	5322 116 50818	44,2	1	MR25	METAL FILM
R 523	5322 116 54469	100	1	MR25	METAL FILM
R 524	5322 116 50509	4,87K	1	MR25	METAL FILM
R 526	5322 116 54469	100	1	MR25	METAL FILM
R 527	4822 100 10075	100	20	0.05W	TRIMMING POTM
R 528	5322 116 54508	301	1	MR25	METAL FILM
R 529	5322 116 54632	14,7K	1	MR25	METAL FILM
R 531	5322 116 54632	14,7K	1	MR25	METAL FILM
R 532	5322 116 54513	332	1	MR25	METAL FILM
R 533	5322 116 54513	332	1	MR25	METAL FILM
R 534	5322 116 54525	511	1	MR25	METAL FILM
R 536	5322 116 54442	51,1	1	MR25	METAL FILM
R 537	5322 116 50508	487	1	MR25	METAL FILM
R 538	5322 116 34014	1K	5	0.5W	NTC
R 539	5322 116 54442	51,1	1	MR25	METAL FILM
R 541	5322 116 54492	178	1	MR25	METAL FILM
R 542	5322 116 50669	205	1	MR25	METAL FILM
R 543	5322 101 14011	100	20	0,5W	TRIMMING POTM
R 544	5322 116 50452	10	1	MR25	METAL FILM
R 546	5322 116 54549	1K	1	MR25	METAL FILM
R 547	4822 100 10075	100	20	0.05W	TRIMMING POTM
R 548	5322 116 54549	1K	1	MR25	METAL FILM
R 549	5322 116 54469	100	1	MR25	METAL FILM
R 550	5322 116 50452	10	1	MR25	METAL FILM
R 551	5322 116 54469	100	1	MR25	METAL FILM
R 552	5322 116 50904	30,1	1	MR25	METAL FILM
R 553	5322 116 50904	30,1	1	MR25	METAL FILM
R 554	5322 116 54549	1K	1	MR25	METAL FILM
R 556	5322 116 54508	301	1	MR25	METAL FILM
R 557	5322 116 54508	301	1	MR25	METAL FILM
R 558	5322 116 54637	17,8K	1	MR25	METAL FILM
R 559	5322 116 54595	5,11K	1	MR25	METAL FILM
R 567	5322 116 50904	30,1	1	MR25	METAL FILM
R 568	5322 116 54637	17,8K	1	MR25	METAL FILM
R 569	5322 116 50583	5,9K	1	MR25	METAL FILM
R 571	5322 116 54538	787	1	MR25	METAL FILM
R 572	5322 116 54538	787	1	MR25	METAL FILM

ITEM	ORDERING NUMBER	OHM	TOL (%)	TYPE	REMARKS
R 573	5322 116 54571	1,96K	1	MR25	METAL FILM
R 577	5322 116 54469	100	1	MR25	METAL FILM
R 600	5322 116 54442	51,1	1	MR25	METAL FILM
R 601	5322 116 55078	806K	1	MR30	METAL FILM
R 602	5322 116 54442	51,1	1	MR25	METAL FILM
R 603	5322 116 50443	12,7K	1	MR25	METAL FILM
R 604	4822 100 10038	470	20	0.05W	TRIMMING POTM
R 606	5322 116 50443	12,7K	1	MR25	METAL FILM
R 607	5322 116 50561	590	1	MR25	METAL FILM
R 608	5322 116 50608	6,19K	1	MR25	METAL FILM
R 609	5322 116 50608	6,19K	1	MR25	METAL FILM
R 611	5322 116 50571	715	1	MR25	METAL FILM
R 612	5322 116 54525	511	1	MR25	METAL FILM
R 613	5322 116 54525	511	1	MR25	METAL FILM
R 614	5322 116 50571	715	1	MR25	METAL FILM
R 616	5322 116 54469	100	1	MR25	METAL FILM
R 617	5322 116 50664	2,05K	1	MR25	METAL FILM
R 618	5322 116 54519	402	1	MR25	METAL FILM
R 619	4822 100 10037	1K	20	0.05W	TRIMMING POTM
R 621	5322 116 50818	44,2	1	MR25	METAL FILM
R 622	5322 116 50818	44,2	1	MR25	METAL FILM
R 623	5322 116 54469	100	1	MR25	METAL FILM
R 624	5322 116 50509	4,87K	1	MR25	METAL FILM
R 626	5322 116 54469	100	1	MR25	METAL FILM
R 627	4822 100 10075	100	20	0.05W	TRIMMING POTM
R 628	5322 116 54508	301	1	MR25	METAL FILM
R 629	5322 116 54632	14,7K	1	MR25	METAL FILM
R 631	5322 116 54632	14,7K	1	MR25	METAL FILM
R 632	5322 116 54513	332	1	MR25	METAL FILM
R 633	5322 116 54513	332	1	MR25	METAL FILM
R 634	5322 116 54525	511	1	MR25	METAL FILM
R 636	5322 116 54442	51,1	1	MR25	METAL FILM
R 637	5322 116 50508	487	1	MR25	METAL FILM
R 638	5322 116 34014	1K	5	0,5W	NTC
R 639	5322 116 54442	51,1	1	MR25	METAL FILM
R 641	5322 116 54472	105	1	MR25	METAL FILM
R 644	5322 116 50452	10	1	MR25	METAL FILM
R 646	5322 116 54549	1K	1	MR25	METAL FILM
R 647	4822 100 10075	100	20	0.05W	TRIMMING POTM
R 648	5322 116 54549	1K	1	MR25	METAL FILM
R 649	5322 116 54469	100	1	MR25	METAL FILM
R 650	5322 116 50452	10	1	MR25	METAL FILM
R 651	5322 116 54469	100	1	MR25	METAL FILM
R 652	5322 116 50904	30,1	1	MR25	METAL FILM
R 653	5322 116 50904	30,1	1	MR25	METAL FILM
R 654	5322 116 54549	1K	1	MR25	METAL FILM
R 656	5322 116 54508	301	1	MR25	METAL FILM
R 657	5322 116 54508	301	1	MR25	METAL FILM
R 658	5322 116 54637	17,8K	1	MR25	METAL FILM
R 659	5322 116 54595	5,11K	1	MR25	METAL FILM
R 661	5322 116 50482	33,2K	1	MR25	METAL FILM
R 662	5322 116 54637	17,8K	1	MR25	METAL FILM
R 663	5322 116 54629	14K	1	MR25	METAL FILM
R 664	5322 116 54558	8,25K	1	MR25	METAL FILM
R 666	5322 116 50904	30,1	1	MR25	METAL FILM
R 667	5322 116 50904	30,1	1	MR25	METAL FILM
R 668	5322 116 54637	17,8K	1	MR25	METAL FILM
R 669	5322 116 50583	5,9K	1	MR25	METAL FILM
R 671	5322 116 54538	787	1	MR25	METAL FILM
R 672	5322 116 54538	787	1	MR25	METAL FILM
R 673	5322 116 54571	1,96K	1	MR25	METAL FILM
R 674	4822 100 10079	47K	20	0.05W	TRIMMING POTM
R 676	5322 116 50672	51,1K	1	MR25	METAL FILM
R 677	5322 116 54469	100	1	MR25	METAL FILM
R 701	5322 116 54469	100	1	MR25	METAL FILM
R 702	5322 116 50555	1,27K	1	MR25	METAL FILM
R 703	5322 116 50571	715	1	MR25	METAL FILM
R 704	5322 116 54519	402	1	MR25	METAL FILM
R 706	5322 116 50555	1,27K	1	MR25	METAL FILM
R 707	5322 116 50481	22,6K	1	MR25	METAL FILM



ITEM	ORDERING NUMBER	OHM	TOL (%)	TYPE	REMARKS
R 708	5322 116 54012	6,81K	1	MR25	METAL FILM
R 709	5322 116 50581	2,49K	1	MR25	METAL FILM
R 711	5322 116 50581	2,49K	1	MR25	METAL FILM
R 712	5322 116 54592	4,02K	1	MR25	METAL FILM
R 713	5322 116 54592	4,02K	1	MR25	METAL FILM
R 714	5322 116 54592	4,02K	1	MR25	METAL FILM
R 716	5322 116 54592	4,02K	1	MR25	METAL FILM
R 717	5322 116 54469	100	1	MR25	METAL FILM
R 801	5322 116 54592	4,02K	1	MR25	METAL FILM
R 802	5322 116 54558	8,25K	1	MR25	METAL FILM
R 803	5322 116 50506	154	1	MR25	METAL FILM
R 804	5322 116 50506	154	1	MR25	METAL FILM
R 806	5322 116 54459	75	1	MR25	METAL FILM
R 807	5322 116 54459	75	1	MR25	METAL FILM
R 809	5322 116 54561	1,33K	1	MR25	METAL FILM
R 811	5322 116 50729	4,22K	1	MR25	METAL FILM
R 812	4822 100 10029	2,2K	20	0.05W	TRIMMING POTM
R 813	4822 100 10036	4,7K	20	0.05W	TRIMMING POTM
R 814	4822 100 10037	1K	20	0.05W	TRIMMING POTM
R 816	5322 116 50904	30,1	1	MR25	METAL FILM
R 817	4822 100 10075	100	20	0.05W	TRIMMING POTM
R 818	5322 116 50904	30,1	1	MR25	METAL FILM
R 819	5322 116 54014	23,7	1	MR25	METAL FILM
R 821	5322 116 54014	23,7	1	MR25	METAL FILM
R 822	5322 116 50904	30,1	1	MR25	METAL FILM
R 823	5322 116 54492	178	1	MR25	METAL FILM
R 824	5322 116 54558	8,25K	1	MR25	METAL FILM
R 825	5322 116 50568	4,99	1	MR25	METAL FILM
R 826	5322 116 50581	2,49K	1	MR25	METAL FILM
R 827	5322 116 54619	10K	1	MR25	METAL FILM
R 828	5322 116 54469	100	1	MR25	METAL FILM
R 829	5322 116 54469	100	1	MR25	METAL FILM
R 831	5322 116 54464	86,6	1	MR25	METAL FILM
R 832	5322 116 54464	86,6	1	MR25	METAL FILM
R 833	5322 116 54545	909	1	MR25	METAL FILM
R 837	5322 116 54545	909	1	MR25	METAL FILM
R 838	5322 116 50415	1,15K	1	MR25	METAL FILM
R 839	5322 116 50415	1,15K	1	MR25	METAL FILM
R 841	5322 116 50904	30,1	1	MR25	METAL FILM
R 842	5322 116 50904	30,1	1	MR25	METAL FILM
R 843	5322 116 54534	681	1	MR25	METAL FILM
R 844	5322 116 50904	30,1	1	MR25	METAL FILM
R 846	5322 116 50904	30,1	1	MR25	METAL FILM
R 847	5322 116 54466	90,9	1	MR25	METAL FILM
R 848	5322 101 14011	100	20	0,5W	TRIMMING POTM
R 849	5322 116 54466	90,9	1	MR25	METAL FILM
R 851	5322 116 54466	90,9	1	MR25	METAL FILM
R 852	5322 116 50818	44,2	1	MR25	METAL FILM
R 853	5322 116 50818	44,2	1	MR25	METAL FILM
R 854	5322 116 54466	90,9	1	MR25	METAL FILM
R 856	5322 116 54484	140	1	MR25	METAL FILM
R 857	5322 116 54585	3,48K	1	MR25	METAL FILM
R 858	5322 116 50524	3,01K	1	MR25	METAL FILM
R 859	5322 116 50515	1,78K	1	MR25	METAL FILM
R 861	5322 116 50515	1,78K	1	MR25	METAL FILM
R 862	5322 116 50515	1,78K	1	MR25	METAL FILM
R 863	5322 116 50515	1,78K	1	MR25	METAL FILM
R 864	5322 116 54549	1K	1	MR25	METAL FILM
R 866	5322 116 54549	1K	1	MR25	METAL FILM
R 1001	5322 116 54442	51,1	1	MR25	METAL FILM
R 1002	5322 116 54685	71,5K	1	MR25	METAL FILM
R 1003	5322 116 50672	51,1K	1	MR25	METAL FILM
R 1004	5322 116 50672	51,1K	1	MR25	METAL FILM
R 1006	5322 116 54683	68,1K	1	MR25	METAL FILM
R 1007	5322 116 54725	196K	1	MR25	METAL FILM
R 1008	5322 116 54587	3,65K	1	MR25	METAL FILM
R 1009	5322 116 54558	8,25K	1	MR25	METAL FILM
R 1011	5322 116 54592	4,02K	1	MR25	METAL FILM
R 1012	5322 116 54729	226K	1	MR25	METAL FILM
R 1013	5322 116 54696	100K	1	MR25	METAL FILM

ITEM	ORDERING NUMBER	OHM	TOL (%)	TYPE	REMARKS
R 1014	5322 116 50443	12,7K	1	MR25	METAL FILM
R 1016	4822 100 10038	470	20	0.05W	TRIMMING POTM
R 1017	5322 116 50443	12,7K	1	MR25	METAL FILM
R 1018	5322 116 50414	2,87K	1	MR25	METAL FILM
R 1019	5322 116 54009	562	1	MR25	METAL FILM
R 1021	5322 116 54009	562	1	MR25	METAL FILM
R 1022	5322 116 54587	3,65K	1	MR25	METAL FILM
R 1023	5322 116 50586	1,54K	1	MR25	METAL FILM
R 1024	5322 116 50586	1,54K	1	MR25	METAL FILM
R 1026	5322 116 54499	249	1	MR25	METAL FILM
R 1027	5322 116 54499	249	1	MR25	METAL FILM
R 1028	5322 116 50608	6,19K	1	MR25	METAL FILM
R 1029	5322 116 54592	4,02K	1	MR25	METAL FILM
R 1031	5322 116 54005	3,32K	1	MR25	METAL FILM
R 1032	5322 116 54558	8,25K	1	MR25	METAL FILM
R 1034	5322 116 54643	20,5K	1	MR25	METAL FILM
R 1036	5322 116 54696	100K	1	MR25	METAL FILM
R 1037	5322 116 50581	2,49K	1	MR25	METAL FILM
R 1038	5322 116 54587	3,65K	1	MR25	METAL FILM
R 1039	5322 116 54637	17,8K	1	MR25	METAL FILM
R 1041	5322 116 50572	12,1K	1	MR25	METAL FILM
R 1042	5322 116 54188	1M	1	MR30	METAL FILM
R 1043	5322 116 54619	10K	1	MR25	METAL FILM
R 1044	5322 116 50524	3,01K	1	MR25	METAL FILM
R 1046	5322 116 54562	1,4K	1	MR25	METAL FILM
R 1047	5322 116 50515	1,78K	1	MR25	METAL FILM
R 1048	5322 116 50583	5,9K	1	MR25	METAL FILM
R 1049	5322 116 54188	1M	1	MR30	METAL FILM
R 1051	5322 116 54725	196K	1	MR25	METAL FILM
R 1052	5322 116 54592	4,02K	1	MR25	METAL FILM
R 1101	5322 116 54442	51,1	1	MR25	METAL FILM
R 1102	5322 116 54714	154K	1	MR25	METAL FILM
R 1103	5322 116 54725	196K	1	MR25	METAL FILM
R 1104	5322 116 50558	18,7K	1	MR25	METAL FILM
R 1106	5322 116 50443	12,7K	1	MR25	METAL FILM
R 1107	4822 100 10038	470	20	0.05W	TRIMMING POTM
R 1108	5322 116 50443	12,7K	1	MR25	METAL FILM
R 1109	5322 116 54009	562	1	MR25	METAL FILM
R 1111	5322 116 54009	562	1	MR25	METAL FILM
R 1112	5322 116 54592	4,02K	1	MR25	METAL FILM
R 1113	5322 116 54587	3,65K	1	MR25	METAL FILM
R 1114	5322 116 54558	8,25K	1	MR25	METAL FILM
R 1116	5322 116 54696	100K	1	MR25	METAL FILM
R 1117	5322 116 54005	3,32K	1	MR25	METAL FILM
R 1118	5322 116 54558	8,25K	1	MR25	METAL FILM
R 1119	5322 116 54592	4,02K	1	MR25	METAL FILM
R 1121	5322 116 50586	1,54K	1	MR25	METAL FILM
R 1122	5322 116 50581	2,49K	1	MR25	METAL FILM
R 1123	5322 116 54562	1,4K	1	MR25	METAL FILM
R 1124	5322 116 50515	1,78K	1	MR25	METAL FILM
R 1201	5322 116 54595	5,11K	1	MR25	METAL FILM
R 1202	5322 116 54595	5,11K	1	MR25	METAL FILM
R 1203	5322 116 54595	5,11K	1	MR25	METAL FILM
R 1204	5322 116 50818	44,2	1	MR25	METAL FILM
R 1206	5322 116 50555	1,27K	1	MR25	METAL FILM
R 1207	5322 116 54519	402	1	MR25	METAL FILM
R 1208	5322 116 54619	10K	1	MR25	METAL FILM
R 1209	5322 116 54619	10K	1	MR25	METAL FILM
R 1210	5322 116 54442	51,1	1	MR25	METAL FILM
R 1211	5322 116 54461	80,6	1	MR25	METAL FILM
R 1212	5322 116 50671	2,61K	1	MR25	METAL FILM
R 1213	5322 116 50586	1,54K	1	MR25	METAL FILM
R 1214	5322 116 54545	909	1	MR25	METAL FILM
R 1216	4822 100 10036	4,7K	20	0.05W	TRIMMING POTM
R 1217	5322 116 50675	2,26K	1	MR25	METAL FILM
R 1218	5322 116 54646	23,7K	1	MR25	METAL FILM
R 1219	5322 116 50818	44,2	1	MR25	METAL FILM
R 1221	5322 116 50672	51,1K	1	MR25	METAL FILM
R 1222	5322 116 50482	33,2K	1	MR25	METAL FILM
R 1223	5322 116 54511	316	1	MR25	METAL FILM

ITEM	ORDERING NUMBER	OHM	TOL (%)	TYPE	REMARKS
R 1224	5322 116 50664	2,05K	1	MR25	METAL FILM
R 1226	5322 116 50484	4,64K	1	MR25	METAL FILM
R 1227	5322 116 54575	2,32K	1	MR25	METAL FILM
R 1276	5322 116 54335	750K	1	MR30	METAL FILM
R 1277	5322 116 54735	255K	1	MR25	METAL FILM
R 1278	5322 116 50672	51,1K	1	MR25	METAL FILM
R 1279	5322 116 50443	12,7K	1	MR25	METAL FILM
R 1281	5322 116 54004	2,43K	1	MR25	METAL FILM
R 1282	5322 116 50459	422	1	MR25	METAL FILM
R 1283	5322 116 54123	511K	1	MR30	METAL FILM
R 1284	5322 116 54707	130K	1	MR25	METAL FILM
R 1286	5322 116 54649	25,5K	1	MR25	METAL FILM
R 1287	5322 116 50523	4,99K	1	MR25	METAL FILM
R 1288	5322 116 54556	1,18K	1	MR25	METAL FILM
R 1289	5322 116 50608	6,19K	1	MR25	METAL FILM
R 1291	5322 116 54545	909	1	MR25	METAL FILM
R 1301	5322 116 50568	4,99	1	MR25	METAL FILM
R 1302	5322 116 50636	2,74K	1	MR25	METAL FILM
R 1303	5322 116 54595	5,11K	1	MR25	METAL FILM
R 1304	5322 116 54545	909	1	MR25	METAL FILM
R 1305	5322 116 54595	5,11K	1	MR25	METAL FILM
R 1306	5322 116 54595	5,11K	1	MR25	METAL FILM
R 1307	5322 116 50675	2,26K	1	MR25	METAL FILM
R 1308	5322 116 54469	100	1	MR25	METAL FILM
R 1309	5322 116 54595	5,11K	1	MR25	METAL FILM
R 1311	5322 116 50636	2,74K	1	MR25	METAL FILM
R 1312	5322 116 50482	33,2K	1	MR25	METAL FILM
R 1313	5322 116 54516	365	1	MR25	METAL FILM
R 1314	5322 116 50506	154	1	MR25	METAL FILM
R 1316	5322 116 50581	2,49K	1	MR25	METAL FILM
R 1317	5322 116 50414	2,87K	1	MR25	METAL FILM
R 1318	4822 100 10051	22K	20	0.05W	TRIMMING POTM
R 1319	4822 100 10051	22K	20	0.05W	TRIMMING POTM
R 1321	5322 116 54595	5,11K	1	MR25	METAL FILM
R 1322	5322 116 54619	10K	1	MR25	METAL FILM
R 1323	5322 116 50555	1,27K	1	MR25	METAL FILM
R 1324	5322 116 54519	402	1	MR25	METAL FILM
R 1326	5322 116 54619	10K	1	MR25	METAL FILM
R 1327	5322 116 50415	1,15K	1	MR25	METAL FILM
R 1328	5322 116 50452	10	1	MR25	METAL FILM
R 1329	5322 116 50671	2,61K	1	MR25	METAL FILM
R 1331	5322 116 50671	2,61K	1	MR25	METAL FILM
R 1332	5322 116 54589	3,83K	1	MR25	METAL FILM
R 1333	5322 116 50818	44,2	1	MR25	METAL FILM
R 1334	5322 116 50675	2,26K	1	MR25	METAL FILM
R 1336	4822 100 10036	4,7K	20	0.05W	TRIMMING POTM
R 1337	5322 116 54648	24,9K	1	MR25	METAL FILM
R 1338	5322 116 50484	4,64K	1	MR25	METAL FILM
R 1339	5322 116 50482	33,2K	1	MR25	METAL FILM
R 1341	5322 116 50672	51,1K	1	MR25	METAL FILM
R 1342	5322 116 54511	316	1	MR25	METAL FILM
R 1343	5322 116 50664	2,05K	1	MR25	METAL FILM
R 1344	4822 100 10036	4,7K	20	0.05W	TRIMMING POTM
R 1346	5322 116 50484	4,64K	1	MR25	METAL FILM
R 1347	5322 116 50818	44,2	1	MR25	METAL FILM
R 1376	5322 116 54677	57,6K	1	MR25	METAL FILM
R 1377	5322 116 50667	28K	1	MR25	METAL FILM
R 1378	5322 116 50731	10,5K	1	MR25	METAL FILM
R 1379	5322 116 50484	4,64K	1	MR25	METAL FILM
R 1381	5322 116 50629	1,74K	1	MR25	METAL FILM
R 1382	5322 116 50608	6,19K	1	MR25	METAL FILM
R 1383	5322 116 54545	909	1	MR25	METAL FILM
R 1401	5322 116 50579	3,16K	1	MR25	METAL FILM
R 1402	5322 116 54592	4,02K	1	MR25	METAL FILM
R 1403	5322 116 50579	3,16K	1	MR25	METAL FILM
R 1404	5322 116 54643	20,5K	1	MR25	METAL FILM
R 1406	5322 116 54595	5,11K	1	MR25	METAL FILM
R 1407	5322 116 54595	5,11K	1	MR25	METAL FILM
R 1408	5322 116 54595	5,11K	1	MR25	METAL FILM
R 1409	5322 116 50571	715	1	MR25	METAL FILM



ITEM	ORDERING NUMBER	OHM	TOL (%)	TYPE	REMARKS
R 1411	5322 116 50636	2,74K	1	MR25	METAL FILM
R 1412	5322 116 54558	8,25K	1	MR25	METAL FILM
R 1413	5322 116 54615	9,09K	1	MR25	METAL FILM
R 1414	5322 116 54558	8,25K	1	MR25	METAL FILM
R 1416	5322 116 54587	3,65K	1	MR25	METAL FILM
R 1417	5322 100 10112	1K	20	0,5W	TRIMMING POTM
R 1418	5322 116 54511	316	1	MR25	METAL FILM
R 1419	5322 101 14011	100	20	0,5W	TRIMMING POTM
R 1421	5322 116 50675	2,26K	1	MR25	METAL FILM
R 1422	5322 116 50524	3,01K	1	MR25	METAL FILM
R 1423	5322 116 50593	16,2K	1	MR25	METAL FILM
R 1424	5322 116 54643	20,5K	1	MR25	METAL FILM
R 1426	5322 116 50726	36,5K	1	MR25	METAL FILM
R 1427	5322 116 50572	12,1K	1	MR25	METAL FILM
R 1428	5322 116 54714	154K	1	MR25	METAL FILM
R 1429	5322 116 50482	33,2K	1	MR25	METAL FILM
R 1431	5322 116 50482	33,2K	1	MR25	METAL FILM
R 1432	5322 116 54549	1K	1	MR25	METAL FILM
R 1433	5322 116 50482	33,2K	1	MR25	METAL FILM
R 1434	5322 116 50482	33,2K	1	MR25	METAL FILM
R 1436	5322 116 54714	154K	1	MR25	METAL FILM
R 1437	5322 116 50904	30,1	1	MR25	METAL FILM
R 1438	5322 116 50524	3,01K	1	MR25	METAL FILM
R 1439	5322 116 50904	30,1	1	MR25	METAL FILM
R 1441	5322 116 50415	1,15K	1	MR25	METAL FILM
R 1442	5322 116 50415	1,15K	1	MR25	METAL FILM
R 1443	5322 116 54619	10K	1	MR25	METAL FILM
R 1444	5322 116 50484	4,64K	1	MR25	METAL FILM
R 1446	5322 116 54762	365K	1	MR30	METAL FILM
R 1447	5322 116 54762	365K	1	MR30	METAL FILM
R 1448	5322 116 50514	64,9K	1	MR25	METAL FILM
R 1449	5322 116 54595	5,11K	1	MR25	METAL FILM
R 1451	5322 116 54595	5,11K	1	MR25	METAL FILM
R 1501	5322 116 54525	511	1	MR25	METAL FILM
R 1502	5322 116 54729	226K	1	MR25	METAL FILM
R 1503	5322 116 54619	10K	1	MR25	METAL FILM
R 1504	5322 116 54619	10K	1	MR25	METAL FILM
R 1506	5322 116 54619	10K	1	MR25	METAL FILM
R 1507	4822 100 10051	22K	20	0,05W	TRIMMING POTM
R 1508	5322 116 50481	22,6K	1	MR25	METAL FILM
R 1509	5322 116 50481	22,6K	1	MR25	METAL FILM
R 1511	5322 116 54624	11,5K	1	MR25	METAL FILM
R 1512	5322 116 50672	51,1K	1	MR25	METAL FILM
R 1513	5322 116 50608	6,19K	1	MR25	METAL FILM
R 1514	5322 116 54651	26,1K	1	MR25	METAL FILM
R 1516	5322 116 50608	6,19K	1	MR25	METAL FILM
R 1517	5322 116 54646	23,7K	1	MR25	METAL FILM
R 1518	5322 116 50664	2,05K	1	MR25	METAL FILM
R 1519	5322 116 54525	511	1	MR25	METAL FILM
R 1521	5322 116 50508	487	1	MR25	METAL FILM
R 1522	5322 116 54759	464K	1	MR30	METAL FILM
R 1524	5322 116 54592	4,02K	1	MR25	METAL FILM
R 1526	5322 116 54469	100	1	MR25	METAL FILM
R 1527		64,9K	1	MR30	TRIMMING POTM
R 1528	5322 116 54835	511	1	MR30	METAL FILM
R 1529	5322 116 54648	24,9K	1	MR25	METAL FILM
R 1531	5322 116 54651	26,1K	1	MR25	METAL FILM
R 1532	5322 116 50583	5,9K	1	MR25	METAL FILM
R 1533	5322 116 50572	12,1K	1	MR25	METAL FILM
R 1534	5322 116 54188	1M	1	MR30	METAL FILM
R 1535	5322 116 54207	1K	1	MR30	METAL FILM
R 1536	5322 116 54469	100	1	MR25	METAL FILM
R 1537	4822 100 10035	10K	20	0,05W	TRIMMING POTM
R 1538	4822 110 42189	1,2M	5	VR37	CARBON
R 1539	4822 110 42196	2,2M	5	VR37	CARBON
R 1541	4822 110 42207	5,6M	5	VR37	CARBON
R 1542	5322 116 50533	78,7K	1	MR25	METAL FILM
R 1543	4822 100 10072	100K	20	0,05W	TRIMMING POTM
R 1544	5322 116 54704	121K	1	MR25	METAL FILM
R 1546	5322 116 50593	16,2K	1	MR25	METAL FILM

ITEM	ORDERING NUMBER	OHM	TOL (%)	TYPE	REMARKS
R 1547	5322 116 54651	26.1K	1	MR25	METAL FILM
R 1548	5322 116 54725	196K	1	MR25	METAL FILM
R 1549	4822 100 10103	1M	20	0.05W	TRIMMING POTM
R 1551	5322 116 54761	383K	1	MR30	METAL FILM
R 1552	5322 116 50484	4.64K	1	MR25	METAL FILM
R 1553	5322 116 54188	1M	1	MR30	METAL FILM
R 1601	5322 116 54508	301	1	MR25	METAL FILM
R 1602	5322 116 50572	12.1K	1	MR25	METAL FILM
R 1603	5322 116 50664	2.05K	1	MR25	METAL FILM
R 1604	5322 116 54619	10K	1	MR25	METAL FILM
R 1606	5322 116 54534	681	1	MR25	METAL FILM
R 1607	4822 100 10051	22K	20	0.05W	TRIMMING POTM
R 1608	5322 116 50726	36.5K	1	MR25	METAL FILM
R 1609	5322 116 54545	909	1	MR25	METAL FILM
R 1611	5322 116 54619	10K	1	MR25	METAL FILM
R 1612	5322 116 54534	681	1	MR25	METAL FILM
R 1613	5322 116 50608	6.19K	1	MR25	METAL FILM
R 1614	5322 116 54005	3.32K	1	MR25	METAL FILM
R 1616	5322 116 50664	2.05K	1	MR25	METAL FILM
R 1617	5322 116 54508	301	1	MR25	METAL FILM
R 1618	5322 116 54651	26.1K	1	MR25	METAL FILM
R 1619	5322 116 50572	12.1K	1	MR25	METAL FILM
R 1651	5322 116 54592	4.02K	1	MR25	METAL FILM
R 1652	5322 116 54651	26.1K	1	MR25	METAL FILM
R 1653	5322 116 50672	51.1K	1	MR25	METAL FILM
R 1654	5322 116 54696	100K	1	MR25	METAL FILM
R 1656	5322 116 54696	100K	1	MR25	METAL FILM
R 1657	5322 116 54637	17.8K	1	MR25	METAL FILM
R 1658	5322 116 54585	3.48K	1	MR25	METAL FILM
R 1659	5322 116 50458	7.87K	1	MR25	METAL FILM
R 1661	5322 116 50458	7.87K	1	MR25	METAL FILM
R 1662	5322 116 54651	26.1K	1	MR25	METAL FILM
R 1663	5322 116 54608	7.5K	1	MR25	METAL FILM
R 1664	5322 116 54558	8.25K	1	MR25	METAL FILM
R 1666	5322 116 50729	4.22K	1	MR25	METAL FILM
R 1667	5322 116 54592	4.02K	1	MR25	METAL FILM
R 1668	5322 116 54558	8.25K	1	MR25	METAL FILM
R 1669	5322 116 54608	7.5K	1	MR25	METAL FILM
R 1671	5322 116 54655	30.1K	1	MR25	METAL FILM
R 1672	5322 116 54608	7.5K	1	MR25	METAL FILM
R 1673	5322 116 54508	301	1	MR25	METAL FILM
R 1674	5322 116 54508	301	1	MR25	METAL FILM
R 1676	5322 116 54632	14.7K	1	MR25	METAL FILM
R 1677	5322 116 54648	24.9K	1	MR25	METAL FILM
R 1678	5322 116 54648	24.9K	1	MR25	METAL FILM
R 1679	5322 116 54632	14.7K	1	MR25	METAL FILM
R 1681	5322 116 54619	10K	1	MR25	METAL FILM
R 1682	5322 116 54619	10K	1	MR25	METAL FILM
R 1683	5322 116 54525	511	1	MR25	METAL FILM
R 1684	5322 116 54525	511	1	MR25	METAL FILM
R 1686	5322 116 54558	8.25K	1	MR25	METAL FILM
R 1687	5322 116 54012	6.81K	1	MR25	METAL FILM
R 1688	5322 116 54534	681	1	MR25	METAL FILM

ITEM	ORDERING NUMBER	TYPE/DESCRIPTION
SEMI CONDUCTORS		
V 1	5322 131 24029	D14-125GH/08
V 201	5322 130 30259	BY127
V 202	5322 130 30259	BY127
V 203	5322 130 30259	BY127
V 204	5322 130 30259	BY127
V 206	5322 130 34304	BYX49-300
V 207	5322 130 44235	BD237
V 208	5322 130 30613	BAW62
V 209	5322 130 34173	BZX79-C5V6
V 211	5322 130 30765	BZX75-C3V6
V 212	5322 130 30765	BZX75-C3V6
V 213	5322 130 30613	BAW62
V 214	5322 130 44196	BC548C
V 216	5322 130 44197	BC558B
V 217	5322 130 44235	BD237
V 218	5322 130 44235	BD237
V 219	5322 130 30613	BAW62
V 221	5322 130 30613	BAW62
V 222	5322 130 30613	BAW62
V 223	5322 130 30613	BAW62
V 224	5322 130 30613	BAW62
V 226	5322 130 34594	BY409
V 227	5322 130 34594	BY409
V 228	5322 130 34594	BY409
V 229	5322 130 34594	BY409
V 231	5322 130 34594	BY409
V 232	5322 130 34594	BY409
V 233	5322 130 34442	BZX79/C75
V 234	4822 130 30839	BY206
V 236	4822 130 30839	BY206
V 237	5322 130 30613	BAW62
V 238	5322 130 30424	BAX12
V 239	5322 130 30424	BAX12
V 241	5322 130 30424	BAX12
V 242	5322 130 30424	BAX12
V 243	5322 130 30424	BAX12
V 244	5322 130 30424	BAX12
V 246	5322 130 30613	BAW62
V 247	4822 130 30839	BY206
V 351	5322 130 44237	BF450
V 352	5322 130 44237	BF450
V 353	5322 130 44196	BC548C
V 354	5322 130 30773	BZX79-C4V7
V 451	5322 130 44237	BF450
V 452	5322 130 44154	BF199
V 453	5322 130 44196	BC548C
V 501	5322 130 34037	BAV45
V 504	5322 130 44548	ON561
V 506	5322 130 44154	BF199
V 507	5322 130 44154	BF199
V 508	5322 130 44237	BF450
V 509	5322 130 44237	BF450
V 511	5322 130 44237	BF450
V 512	5322 130 44237	BF450
V 513	5322 130 44197	BC558B
V 514	5322 130 44197	BC558B
V 518	5322 130 44196	BC548C
V 519	5322 130 44196	BC548C
V 521	5322 130 30613	BAW62
V 522	5322 130 30613	BAW62
V 523	5322 130 30613	BAW62
V 524	5322 130 44197	BC558B
V 526	5322 130 44197	BC558B
V 601	5322 130 34037	BAV45
V 604	5322 130 44548	ON561
V 606	5322 130 44154	BF199
V 607	5322 130 44154	BF199
V 608	5322 130 44237	BF450

ITEM	ORDERING NUMBER	TYPE/DESCRIPTION
V 609	5322 130 44237	BF450
V 611	5322 130 44237	BF450
V 612	5322 130 44237	BF450
V 613	5322 130 44197	BC558B
V 614	5322 130 44197	BC558B
V 616	5322 130 44197	BC558B
V 617	5322 130 44197	BC558B
V 618	5322 130 44196	BC548C
V 619	5322 130 44196	BC548C
V 621	5322 130 30613	BAW62
V 622	5322 130 30613	BAW62
V 623	5322 130 30613	BAW62
V 624	5322 130 44197	BC558B
V 626	5322 130 44197	BC558B
V 701	5322 130 30613	BAW62
V 702	5322 130 30613	BAW62
V 703	5322 130 44196	BC548C
V 704	5322 130 44196	BC548C
V 801	5322 130 44197	BC558B
V 802	5322 130 44196	BC548C
V 803	5322 130 44196	BC548C
V 804	5322 130 44154	BF199
V 806	5322 130 44154	BF199
V 807	5322 130 44154	BF199
V 808	5322 130 44154	BF199
V 809	5322 130 44196	BC548C
V 1001	5322 130 30191	QA95
V 1002	5322 130 30191	QA95
V 1003	5322 130 30613	BAW62
V 1004	5322 130 30613	BAW62
V 1006	5322 130 44548	QN561
V 1007	5322 130 44237	BF450
V 1008	5322 130 44196	BC548C
V 1009	5322 130 44196	BC548C
V 1011	5322 130 44196	BC548C
V 1012	5322 130 30613	BAW62
V 1013	5322 130 30613	BAW62
V 1014	5322 130 30613	BAW62
V 1016	5322 130 30613	BAW62
V 1017	5322 130 30613	BAW62
V 1018	5322 130 30613	BAW62
V 1019	5322 130 30613	BAW62
V 1020	5322 130 30613	BAW62
V 1021	5322 130 30613	BAW62
V 1022	5322 130 44196	BC548C
V 1023	5322 130 44196	BC548C
V 1024	5322 130 44196	BC548C
V 1026	5322 130 44237	BF450
V 1027	5322 130 30613	BAW62
V 1028	5322 130 44197	BC558B
V 1101	5322 130 30613	BAW62
V 1102	5322 130 44548	QN561
V 1103	5322 130 44196	BC548C
V 1104	5322 130 30613	BAW62
V 1106	5322 130 30613	BAW62
V 1107	5322 130 30613	BAW62
V 1108	5322 130 30613	BAW62
V 1109	5322 130 44237	BF450
V 1201	5322 130 30191	QA95
V 1202	5322 130 30613	BAW62
V 1206	5322 130 30613	BAW62
V 1207	5322 130 40417	BSX20
V 1208	5322 130 40417	BSX20
V 1209	5322 130 44197	BC558B
V 1211	5322 130 30613	BAW62
V 1212	5322 130 44196	BC548C
V 1213	5322 130 44196	BC548C
V 1214	5322 130 44196	BC548C
V 1216	5322 130 30613	BAW62
V 1217	5322 130 30613	BAW62

ITEM	ORDERING NUMBER	TYPE/DESCRIPTION
V 1218	5322 130 44196	BC548C
V 1219	5322 130 44196	BC548C
V 1221	5322 130 44196	BC548C
V 1301	5322 130 44197	BC558B
V 1302	5322 130 44196	BC548C
V 1303	5322 130 44196	BC548C
V 1304	5322 130 44196	BC548C
V 1305	5322 130 30613	BAW62
V 1306	5322 130 44196	BC548C
V 1307	5322 130 44196	BC548C
V 1308	5322 130 30613	BAW62
V 1313	5322 130 40417	BSX20
V 1314	5322 130 40417	BSX20
V 1316	5322 130 44197	BC558B
V 1317	5322 130 30613	BAW62
V 1318	5322 130 44196	BC548C
V 1319	5322 130 44196	BC548C
V 1321	5322 130 44196	BC548C
V 1322	5322 130 44196	BC548C
V 1323	5322 130 30613	BAW62
V 1324	5322 130 44196	BC548C
V 1326	5322 130 30613	BAW62
V 1401	5322 130 30613	BAW62
V 1402	5322 130 30613	BAW62
V 1403	5322 130 30613	BAW62
V 1404	5322 130 30613	BAW62
V 1406	5322 130 44196	BC548C
V 1407	5322 130 44196	BC548C
V 1408	5322 130 30613	BAW62
V 1409	5322 130 44197	BC558B
V 1411	5322 130 30613	BAW62
V 1412	5322 130 30613	BAW62
V 1413	5322 130 44154	BF199
V 1414	5322 130 44154	BF199
V 1416	5322 130 34233	BZX79-C5V1
V 1417	5322 130 44603	RFT45
V 1418	5322 130 44108	BF338
V 1419	5322 130 40417	BSX20
V 1421	5322 130 30613	BAW62
V 1422	5322 130 44237	BF450
V 1423	5322 130 44603	RFT45
V 1424	5322 130 34233	BZX79-C5V1
V 1426	5322 130 44108	BF338
V 1427	5322 130 34098	BZX79-C36
V 1428	5322 130 34098	BZX79-C36
V 1429	5322 130 34098	BZX79-C36
V 1431	5322 130 34442	BZX79/C75
V 1501	5322 130 44196	BC548C
V 1502	5322 130 30613	BAW62
V 1503	5322 130 30613	BAW62
V 1504	5322 130 30613	BAW62
V 1507	5322 130 30191	QA95
V 1508	5322 130 30613	BAW62
V 1509	5322 130 30613	BAW62
V 1511	5322 130 44196	BC548C
V 1512	5322 130 30613	BAW62
V 1514	5322 130 44196	BC548C
V 1516	5322 130 30613	BAW62
V 1517	5322 130 30613	BAW62
V 1518	5322 130 44197	BC558B
V 1519	5322 130 44196	BC548C
V 1521	5322 130 44196	BC548C
V 1522	5322 130 44196	BC548C
V 1523	5322 130 44247	BSS68
V 1524	4822 130 30842	BAV21
V 1526	4822 130 30842	BAV21
V 1527	5322 130 44196	BC548C
V 1528	5322 130 44197	BC558B
V 1601	5322 130 44196	BC548C
V 1602	5322 130 44196	BC548C

ITEM	ORDERING NUMBER	TYPE/DESCRIPTION
V 1603	5322 130 44196	BC548C
V 1604	5322 130 30613	BAW62
V 1651	5322 130 30613	BAW62
V 1652	5322 130 30613	BAW62
V 1653	5322 130 30613	BAW62
V 1654	5322 130 30613	BAW62
V 1655	5322 130 30613	BAW62
V 1656	5322 130 30613	BAW62
V 1657	5322 130 30613	BAW62
V 1658	5322 130 44197	BC558B
V 1659	5322 130 44197	BC558B
V 1661	5322 130 30613	BAW62
V 1662	5322 130 44197	BC558B
V 1663	5322 130 30613	BAW62
V 1664	5322 130 44197	BC558B
V 1666	5322 130 44197	BC558B
V 1667	5322 130 30613	BAW62
V 1668	5322 130 44196	BC548C
INTEGRATED CIRCUITS		
D 501	5322 209 84862	SG3823N
D 601	5322 209 84862	SG3823N
D 801	5322 209 84111	CA3086
D 1001	5322 209 84111	CA3086
D 1101	5322 209 84111	CA3086
D 1201	5322 209 85201	N74LS132A
D 1202		N74122A
D 1203		N74LS74
D 1204	5322 209 84167	N74S00A
D 1301	5322 209 85201	N74LS132A
D 1302	5322 209 84167	N74S00A

*Miscellaneous*

<i>Item</i>	<i>Order number</i>	<i>Designation</i>
B 1	5322 130 34595	LED COY 24 A-I
E 1	5322 134 44177	Lamp 28 V 80 mA
E 2	5322 134 44177	Lamp 28 V 80 mA
F 201	4822 253 30021	Fuse
K 501	4822 280 20064	Sam Reed Relais
K 601	4822 280 20064	Sam Reed Relais
K 1401	4822 280 20064	Sam Reed Relais
L 201	5322 281 64154	Coil
L 202	5322 281 64154	Coil
L 203	5322 281 64154	Coil
L 801	5322 156 14074	Coil
L 802	5322 156 14074	Coil
L 1501	5322 150 14015	Rotary Coil
	4822 252 20007	Thermal Fuse
42	5322 320 44029	Delay Line Unit
43	5322 462 44298	Foot
A 201	5322 216 54142	Power Supply Board
A 301	5322 216 54151	Attenuator Board
A 4	5322 218 64056	High Voltage Unit
S 9 – S 11	5322 105 34041	Attenuator Switch
S 13	5322 105 34043	DTB Switch
S 15	5322 105 34042	MTB Switch
S 24	4822 272 10079	Carrousel
T 101	5322 146 24166	Transformer
T 201	5322 158 34074	Base Transformer
T 202	5322 146 24163	Transformer
	4822 266 30071	3-pole Plug
	4822 265 30121	3-pole Socket
	4822 266 30072	4-pole Plug
	4822 265 30119	4-pole Socket
	4822 266 30073	6-pole Plug
	4822 265 30117	6-pole Socket
	4822 266 40057	7-pole Plug
	4822 265 40119	7-pole Socket

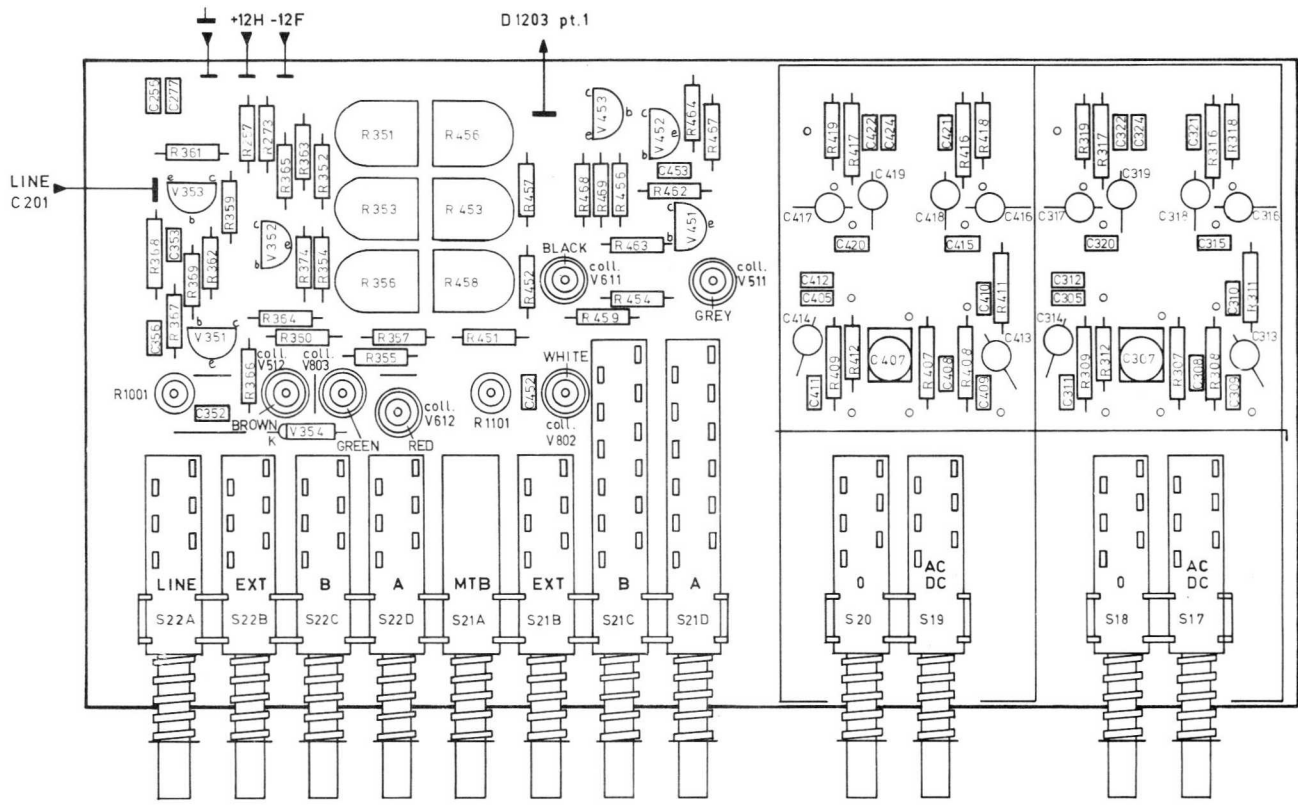


Fig. 3.14. Vertical attenuator unit



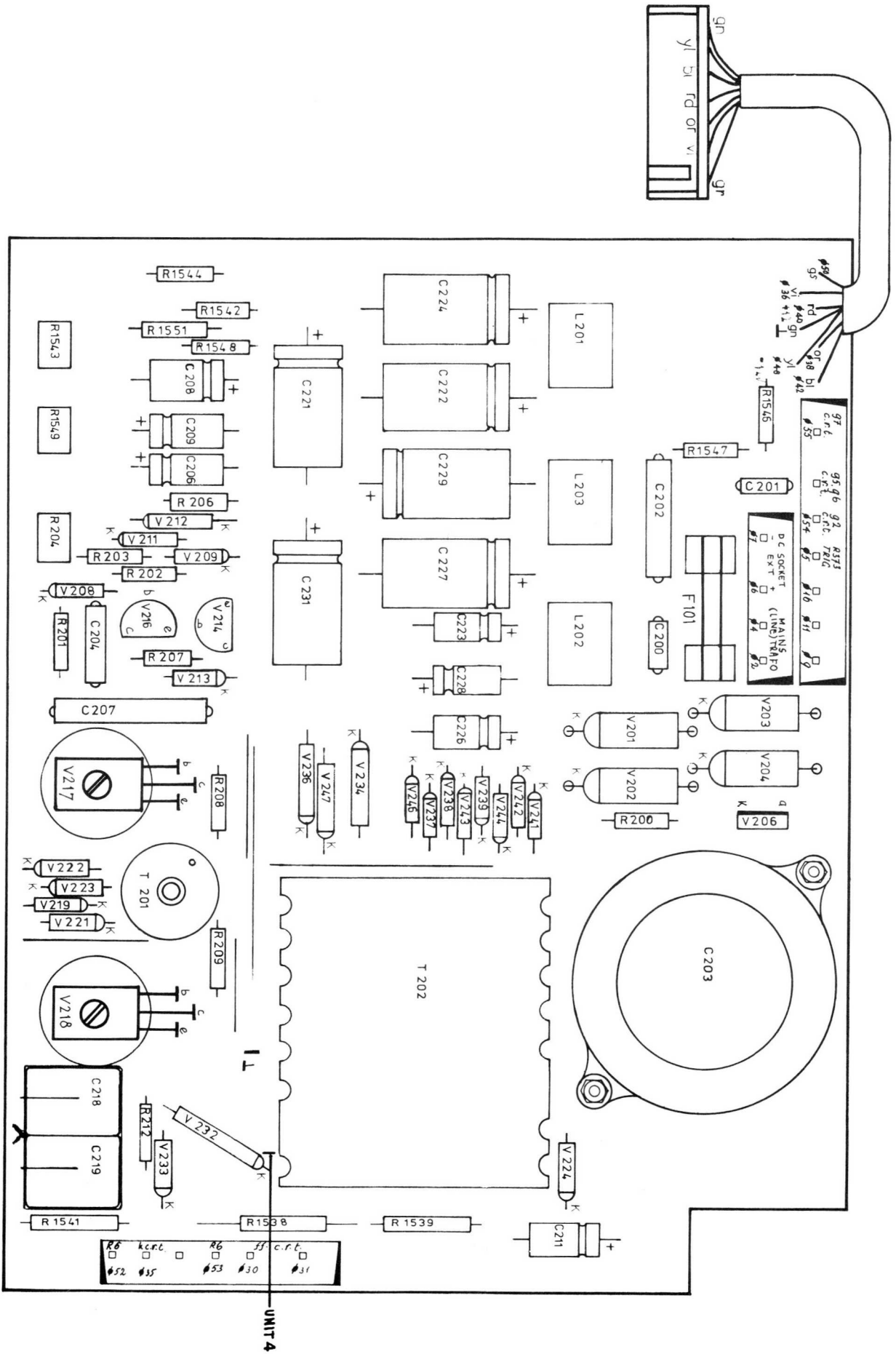


Fig. 3.15. Power supply unit



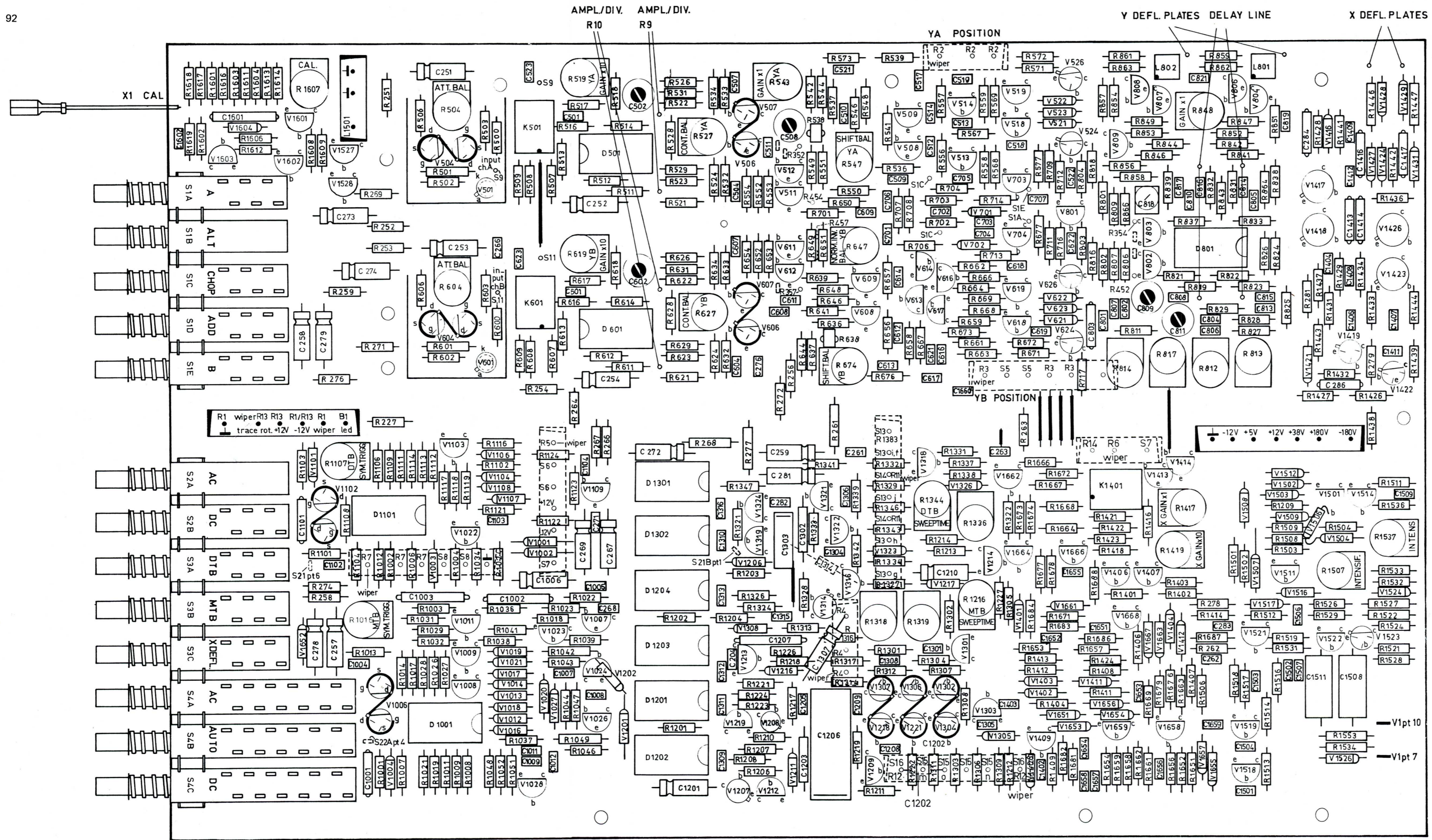


Fig. 3.16. Vertical amplifier unit



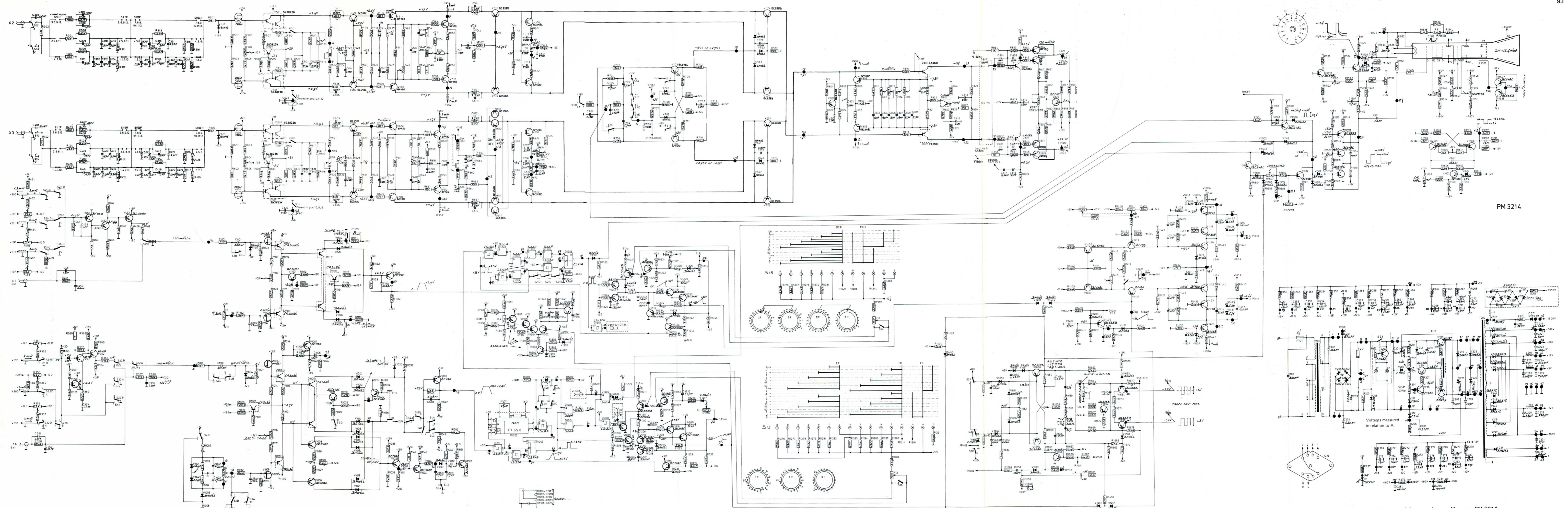


Fig. 3.17. Circuit diagram of the complete oscilloscope PM 3214



**CODING SYSTEM OF FAILURE REPORTING FOR QUALITY  
ASSESSMENT OF T & M INSTRUMENTS  
(excl. potentiometric recorders)**

The information contents of the coded failure description is necessary for our computerized processing of quality data.

Since the reporting of repair and maintenance routines must be complete and exact, we give you an example of a correctly filled-out PHILIPS SERVICE Job sheet.

①	②	③	④																								
Country	Day Month Year	Typenumber /Version	Factory/Serial no.																								
<table border="1" style="display: inline-table; border-collapse: collapse;"> <tr><td style="width: 15px; height: 15px; text-align: center;">3</td><td style="width: 15px; height: 15px; text-align: center;">2</td></tr> </table>	3	2	<table border="1" style="display: inline-table; border-collapse: collapse;"> <tr><td style="width: 15px; height: 15px; text-align: center;">1</td><td style="width: 15px; height: 15px; text-align: center;">5</td><td style="width: 15px; height: 15px; text-align: center;">0</td><td style="width: 15px; height: 15px; text-align: center;">4</td><td style="width: 15px; height: 15px; text-align: center;">7</td><td style="width: 15px; height: 15px; text-align: center;">5</td></tr> </table>	1	5	0	4	7	5	<table border="1" style="display: inline-table; border-collapse: collapse;"> <tr><td style="width: 15px; height: 15px; text-align: center;">O</td><td style="width: 15px; height: 15px; text-align: center;">P</td><td style="width: 15px; height: 15px; text-align: center;">M</td><td style="width: 15px; height: 15px; text-align: center;">3</td><td style="width: 15px; height: 15px; text-align: center;">2</td><td style="width: 15px; height: 15px; text-align: center;">6</td><td style="width: 15px; height: 15px; text-align: center;">0</td><td style="width: 15px; height: 15px; text-align: center;">0</td><td style="width: 15px; height: 15px; text-align: center;">2</td></tr> </table>	O	P	M	3	2	6	0	0	2	<table border="1" style="display: inline-table; border-collapse: collapse;"> <tr><td style="width: 15px; height: 15px; text-align: center;">D</td><td style="width: 15px; height: 15px; text-align: center;">O</td><td style="width: 15px; height: 15px; text-align: center;">0</td><td style="width: 15px; height: 15px; text-align: center;">0</td><td style="width: 15px; height: 15px; text-align: center;">7</td><td style="width: 15px; height: 15px; text-align: center;">8</td><td style="width: 15px; height: 15px; text-align: center;">3</td></tr> </table>	D	O	0	0	7	8	3
3	2																										
1	5	0	4	7	5																						
O	P	M	3	2	6	0	0	2																			
D	O	0	0	7	8	3																					

**CODED FAILURE DESCRIPTION**

⑤	⑥	⑦																																																						
Nature of call	Location	Component/sequence no. Category																																																						
<table border="1" style="border-collapse: collapse;"> <tr><td style="width: 15px; height: 15px;"><input type="checkbox"/></td><td style="width: 100px;">Installation</td><td style="width: 15px; height: 15px;"></td><td style="width: 15px; height: 15px;"></td></tr> <tr><td style="width: 15px; height: 15px;"><input type="checkbox"/></td><td>Pre sale repair</td><td style="width: 15px; height: 15px;"></td><td style="width: 15px; height: 15px;"></td></tr> <tr><td style="width: 15px; height: 15px;"><input type="checkbox"/></td><td>Preventive maintenance</td><td style="width: 15px; height: 15px;"></td><td style="width: 15px; height: 15px;"></td></tr> <tr><td style="width: 15px; height: 15px;"><input checked="" type="checkbox"/></td><td>Corrective maintenance</td><td style="width: 15px; height: 15px;"></td><td style="width: 15px; height: 15px;"></td></tr> <tr><td style="width: 15px; height: 15px;"><input type="checkbox"/></td><td>Other</td><td style="width: 15px; height: 15px;"></td><td style="width: 15px; height: 15px;"></td></tr> </table>	<input type="checkbox"/>	Installation			<input type="checkbox"/>	Pre sale repair			<input type="checkbox"/>	Preventive maintenance			<input checked="" type="checkbox"/>	Corrective maintenance			<input type="checkbox"/>	Other			<table border="1" style="border-collapse: collapse;"> <tr><td style="width: 15px; height: 15px;"></td><td style="width: 15px; height: 15px;"></td><td style="width: 15px; height: 15px;"></td><td style="width: 15px; height: 15px;"></td><td style="width: 15px; height: 15px;"></td><td style="width: 15px; height: 15px;"></td></tr> <tr><td style="width: 15px; height: 15px; text-align: center;">0</td><td style="width: 15px; height: 15px; text-align: center;">0</td><td style="width: 15px; height: 15px; text-align: center;">2</td><td style="width: 15px; height: 15px; text-align: center;">1</td><td style="width: 15px; height: 15px;"></td><td style="width: 15px; height: 15px;"></td></tr> </table>							0	0	2	1			<table border="1" style="border-collapse: collapse;"> <tr><td style="width: 15px; height: 15px; text-align: center;">T</td><td style="width: 15px; height: 15px; text-align: center;">S</td><td style="width: 15px; height: 15px; text-align: center;">0</td><td style="width: 15px; height: 15px; text-align: center;">6</td><td style="width: 15px; height: 15px; text-align: center;">0</td><td style="width: 15px; height: 15px; text-align: center;">7</td></tr> <tr><td style="width: 15px; height: 15px; text-align: center;">R</td><td style="width: 15px; height: 15px; text-align: center;">0</td><td style="width: 15px; height: 15px; text-align: center;">0</td><td style="width: 15px; height: 15px; text-align: center;">6</td><td style="width: 15px; height: 15px; text-align: center;">3</td><td style="width: 15px; height: 15px; text-align: center;">1</td></tr> <tr><td style="width: 15px; height: 15px; text-align: center;">9</td><td style="width: 15px; height: 15px; text-align: center;">9</td><td style="width: 15px; height: 15px; text-align: center;">0</td><td style="width: 15px; height: 15px; text-align: center;">0</td><td style="width: 15px; height: 15px; text-align: center;">0</td><td style="width: 15px; height: 15px; text-align: center;">1</td></tr> </table>	T	S	0	6	0	7	R	0	0	6	3	1	9	9	0	0	0	1	<table border="1" style="border-collapse: collapse;"> <tr><td style="width: 15px; height: 15px; text-align: center;">5</td></tr> <tr><td style="width: 15px; height: 15px; text-align: center;">2</td></tr> <tr><td style="width: 15px; height: 15px; text-align: center;">4</td></tr> </table>	5	2	4
<input type="checkbox"/>	Installation																																																							
<input type="checkbox"/>	Pre sale repair																																																							
<input type="checkbox"/>	Preventive maintenance																																																							
<input checked="" type="checkbox"/>	Corrective maintenance																																																							
<input type="checkbox"/>	Other																																																							
0	0	2	1																																																					
T	S	0	6	0	7																																																			
R	0	0	6	3	1																																																			
9	9	0	0	0	1																																																			
5																																																								
2																																																								
4																																																								
		<p align="center">Job completed</p> <p align="center"><input checked="" type="checkbox"/></p> <p align="center">Working time ⑧</p> <table border="1" style="display: inline-table; border-collapse: collapse;"> <tr><td style="width: 15px; height: 15px;"></td><td style="width: 15px; height: 15px; text-align: center;">1</td><td style="width: 15px; height: 15px; text-align: center;">2</td></tr> </table> Hrs		1	2																																																			
	1	2																																																						

Detailed description of the information to be entered in the various boxes:

①Country: 

3	2
---	---

 = Switzerland

②Day Month Year 

1	5	0	4	7	5
---	---	---	---	---	---

 = 15 April 1975

③Type number/Version 

O	P	M	3	2	6	0	0	2
---	---	---	---	---	---	---	---	---

 = Oscilloscope PM 3260, version 02 (in later oscilloscopes this number is placed in front of the serial no)

④Factory/Serial number 

D	O	0	0	7	8	3
---	---	---	---	---	---	---

 = DO 783 These data are mentioned on the type plate of the instrument

⑤ Nature of call: Enter a cross in the relevant box

⑥ Coded failure description

Location

--	--	--	--

These four boxes are used to isolate the problem area. Write the code of the part in which the fault occurs, e.g. unit no or mechanical item no of this part (refer to 'PARTS LISTS' in the manual).  
Example: 0001 for Unit 1  
          000A for Unit A  
          0075 for item 75  
If units are not numbered, do not fill in the four boxes; see Example Job sheet.

Component/sequence no.

--	--	--	--	--	--

These six boxes are intended to pinpoint the faulty component.  
A. Enter the component designation as used in the circuit diagram. If the designation is alfa-numeric, the letters must be written (starting from the left) in the two left-hand boxes and the figures must be written (in such a way that the last digit occupies the right-most box) in the four right-hand boxes.  
B. Parts not identified in the circuit diagram:  
990000 Unknown/Not applicable  
990001 Cabinet or rack (text plate, emblem, grip, rail, graticule, etc.)  
990002 Knob (incl. dial knob, cap, etc.)  
990003 Probe (only if attached to instrument)  
990004 Leads and associated plugs  
990005 Holder (valve, transistor, fuse, board, etc.)  
990006 Complete unit (p.w. board, h.t. unit, etc.)  
990007 Accessory (only those without type number)  
990008 Documentation (manual, supplement, etc.)  
990009 Foreign object  
990099 Miscellaneous

Category

--

0 Unknown, not applicable (fault not present, intermittent or disappeared)  
1 Software error  
2 Readjustment  
3 Electrical repair (wiring, solder joint, etc.)  
4 Mechanical repair (polishing, filing, remachining, etc.)  
5 Replacement (of transistor, resistor, etc.)  
6 Cleaning and/or lubrication  
7 Operator error  
8 Missing items (on pre-sale test)  
9 Environmental requirements are not met

⑦ Job completed: Enter a cross when the job has been completed.

⑧ Working time: Enter the total number of working hours spent in connection with the job (excluding travelling, waiting time, etc.), using the last box for tenths of hours.

	1	2
--	---	---

 = 1,2 working hours (1 h 12 min.)

## Sales and service all over the world

**Alger** : Sadetel; 41 Rue des Frères Mouloud Alger; tel. 656613-656607

**Argentina** : Philips Argentina S.A., Casilla Correo 3479, Buenos Aires; Tel. T.E. 70, 7741 al 7749

**Australia** : Philips Scientific & Industrial Equipment, Centre Court, 25 - 27 Paul Street, North Ryde, Sydney 2113 N.S.W.

**Bangla Desh** : Philips Bangla Desh Ltd. P.O. Box 62; Ramna, Dacca, tel. 28332

**België/Belgique** : M.B.L.E. Philips Bedrijfs-apparatuur, 80 Rue des Deux Gares, Bruxelles; tel. 02/13.76.00

**Bolivia** : Industrias Bolivianas Philips S.A. LA Jón postal 2964 La Paz tel. 50029

**Brasil** : S.A. Philips Do Brasil; Avenida Paulista 2163; P.O. Box 8681; Sao Paulo S.P.; tel. 81-2161

**Burundi** : Philips S.A.R.L., Avenue de Grèce B.P. 900, Bujumbura

**Canada** : Philips Test and Measuring Instruments Inc.; 6 Leswyn Road, Toronto (Ontario)

**Chile** : Philips Chilena S.A., Casilla 2687, Santiago de Chile; tel. 94001

**Colombia** : Industrias Philips de Colombia S.A., Calle 13 no. 51-03, Apartado Aered 4282, Bogota; tel. 473640

**Costa Rica** : Philips de Costa Rica Ltd., Apartado Postal 4325, San José; tel. 210111

**Danmark** : Philips Elektronik Systemer A/S Afd. Industri & Forskning; Strandlodsvej 4 2300-Kobenhavn S; tel. (0127) AS 2222; telex 27045

**Deutschland (Bundesrepublik)** : Philips GmbH Unternehmensbereich Elektronik für Wissenschaft und Industrie. Postfach 120, 35 Kassel-Bettenhausen, Miramstrasse 87, tel. (0561) 501521

**Ecuador** : Philips Ecuador S.A., Casilla 343, Quito; tel. 239080

**Egypt** : Ph. Scientific Bureau 1687, 5 Sherif Str. Cairo - A.R. Egypt P.O. Box 1807; tel. 78457-57739

**Eire** : Philips Electrical (Ireland) Ltd., New stead, Clonskeagh, Dublin 14; tel. 976611

**El Salvador** : Philips de El Salvador, Apartado Postal 865, San Salvador; tel. 217441

**España** : Philips Iberica S.A.E., Dpto Aparatos de Medida, Martinez Villergas 2, Madrid 27; tel. 404-2200

**Ethiopia** : Philips Ethiopia (Priv. Ltd. Co.), P.O.B. 2565; Ras Abebe Areguay Avenue, Addis Abeba; tel. 48300

**Finland** : Oy Philips Ab, Kaivokatu 8, P.O. Box 255, 00101 Helsinki 10

**France** : Philips Industrie, Division de la S.A. Philips Industrielle et Commerciale 105 Rue de Paris, 93 002 Bobigny; tel. 830-11-11

**Ghana** : Philips (Ghana) Ltd., P.O.B. M 14, Accra; tel. 66019

**Great Britain** : Pye Unicam Ltd, York Street, Cambridge; tel. (0223) 58866

**Guatemala** : Philips de Guatemala S.A., Apartado Postal 238, Guatemala City; tel. 64857

**Hellas** : Philips S.A. Hellénique, 54, Ave Syngrou, Athens; tel. 230476, P.O. Box 153

**Honduras** : Hasbun de Honduras Apartado Postal 83, Tegucigalpa; tel. 2-9121...5

**Hong Kong** : Philips Hong Kong Ltd, P.O.B. 2108, St. George's Building, 21st floor, Hong Kong; tel. 5-249246

**India** : Philips India Ltd., Shivsagar Estate, Block "A", Dr. Annie Besant Road, P.O.B. 6598, Worli, Bombay 18; tel. 370071

**Indonesia** : P.T. Philips Development Corporation, Jalan Proklamasi 33, P.O.B. 2287 Jakarta; tel. 51985-51986

**Iran** : Philips Iran Ltd., P.O.B. 1297, Teheran; tel. 662281

**Iraq** : Philips Iraq W.L.L. Munir Abbas Building 4th floor; South Gate, P.O. box 5749 Baghdad; tel. 80409

**Island** : Heimilistaeki SF, Saetún 8, Reykjavik; tel. 24000

**Islas Canarias** : Philips Ibérica S.A.E., Triana 132, Las Palmas; Casilla 39-41, Santa Cruz de Tenerife

**Italia** : Philips S.p.A., Sezione PIT; Viale Elvezia 2, 20052 Monza; tel. (039) 361-441; telex 35290

**Kenya** : Philips (Kenya) Ltd., P.O.B. 30554, Nairobi; tel. 29981

**Kuwait** : Delegate Office of Philips Industries P.O. Box 3801; Kuwait, tel. 33814

**Malaysia** : Philips Malaya Sdn Bhd. P.O. Box 332, Kuala Lumpur; Selangor W. Malaysia; tel. 774411

**Mexico** : Philips Mexicana S.A. de C.V., Durango 167, Col. Roma, Apartado Postal 24-328, Mexico 7 D.F.

**Nederland** : Philips Nederland B.V., Boschdijk, Gebouw VB, Eindhoven; tel. 793333

**Ned. Antillen** : N.V. Philips Antillana, Postbus 523, Willemstad; tel. Curaçao 36222-35464

**New Zealand** : Philips Electronical Industries (N.Z.) Ltd., Professional and Industrial Division, Wakefield Street 181-195 P.O.B. 2097 Layll Bay, Wellington; tel. 73-156

**Nigeria** : Philips (Nigeria) Ltd., 6 Ijora Causeway, P.O.B. 1921, Lagos; tel. 45414/7

**Nippon** : Nihon Philips Coporation, Shuwa Shinagawa Building 26-33, Takanawa 3-Chome, Minato-Ku, Tokyo 108; tel. (03) 448-5611

**Norge** : Norsk A.S. Philips, Postboks 5040, Oslo; tel. 463890

**Österreich** : Oesterreichische Philips Industrie GmbH, Abteilung Industrie Elektronik, Partartgasse 32, A-1230 Wien; tel. (0222)-831501

**Pakistan** : Philips Electrical Co. of Pakistan Ltd., El-Markaz, M.A. Jinnah Road, P.O.B. 7101, Karachi; tel. 70071

**Paraguay** : Philips del Paraguay S.A., Casilla de Correo 605, Asuncion; tel. 8045-5536-6666

**Perù** : Philips Peruana S.A., Apartado Postal 2769. Lima; tel. 326070

**Philippines** : Philips Industrial Development Inc., 2246 Pasong Tamo P.O.B. 911, Makati Rizal D-708; tel. 889453 to 889456

**Portugal** : Philips Portuguesa S.A.R.L., Av. Eng. Duarte Pacheco, 6-Lisboa-1

**Rwanda** : Philips Rwanda S.A.R.L., B.P. 449, Kigali

**Saudi Arabia** : A. Rajab and A. Silsilah P.O. Box 203 Jeddah - Saudi Arabia; tel. 5113-5114

**Schweiz-Suisse-Svizzera** : Philips A.G., Binzstrasse 15, Postfach 8027, Zürich; tel. 051-442211

**Singapore** : Philips Singapore Private Ltd. P.O. Box 1358; Toa Payoh Central Post Office; Singapore 12; tel. 538811

**South Africa** : South African Philips (Pty) Ltd., P.O.B. 7703, 2, Herb Street, New Doornfontein, Johannesburg; tel. 24-0531

**S-Korea** : Philips Electronics (Korea) Ltd., P.O.Box 3680, Seoul; tel. 737222

**Sverige** : Svenska A.B. Philips, Fack, Liding övägen 50, Stockholm 27; tel. 08/635000

**Syria** : Philips Moven-Orient S.A. Rue Fardoss 79 Immeuble Kassas and Sadate B.P. 2442 Damas; tel. 18605-21650

**Taiwan** : Philips Taiwan Ltd., San Min Building, P.O. Box 22978, Taipei

**Tanzania** : Philips (Tanzania) Ltd., Box 20104, Dar es Salaam; tel. 29571

**Thailand** : Philips Thailand Ltd., 283, Silom Road, Bangkok; tel. 36980, 36984-9

**Tunisia** : S.T.I.E.T., 32815 Rue Ben Ghedhahem, Tunis; tel. 244268

**Turkey** : Türk Philips Ticaret A.S., Posta Kutusu 504, Beyoglu, Gümüssüyyü Caddesi 78/80 Istanbul 1 Turkey

**Uganda** : Philips Uganda Ltd. p.o.Box 5300 Kampala; tel. 59039

**Uruguay** : Industrias Philips del Uruguay Avda Uruguay 1287, Montevideo; tel. 915641 Casilla de Correo 294

**U.S.A.** : Philips Test and Measuring Instruments Inc.; 400 Crossways Park Drive, Woodbury, N.Y. 11797; tel. (516) 921-8880

**Venezuela** : C.A. Philips Venezolana, Apartado Postal 1167, Caracas; tel. 360511

**Zaire** : Philips S.Z.R.L., B.P. 1798, Kinshasa; tel. 31887-31888-31693

**Zambia** : Philips Electrical Ltd., Professional Equipment Division, P.O.B. 553 Kitwe; tel. 2526/7/8; Lusaka P.O. Box 1878

T&M/770101

### For information on change of address:

N.V. Philips' Gloeilampenfabrieken Test and Measuring Instrument Dept. Eindhoven - The Netherlands

### For countries not listed:

N.V. Philips S&I Export Dept. Test and measuring Instruments Dept. Eindhoven - The Netherlands