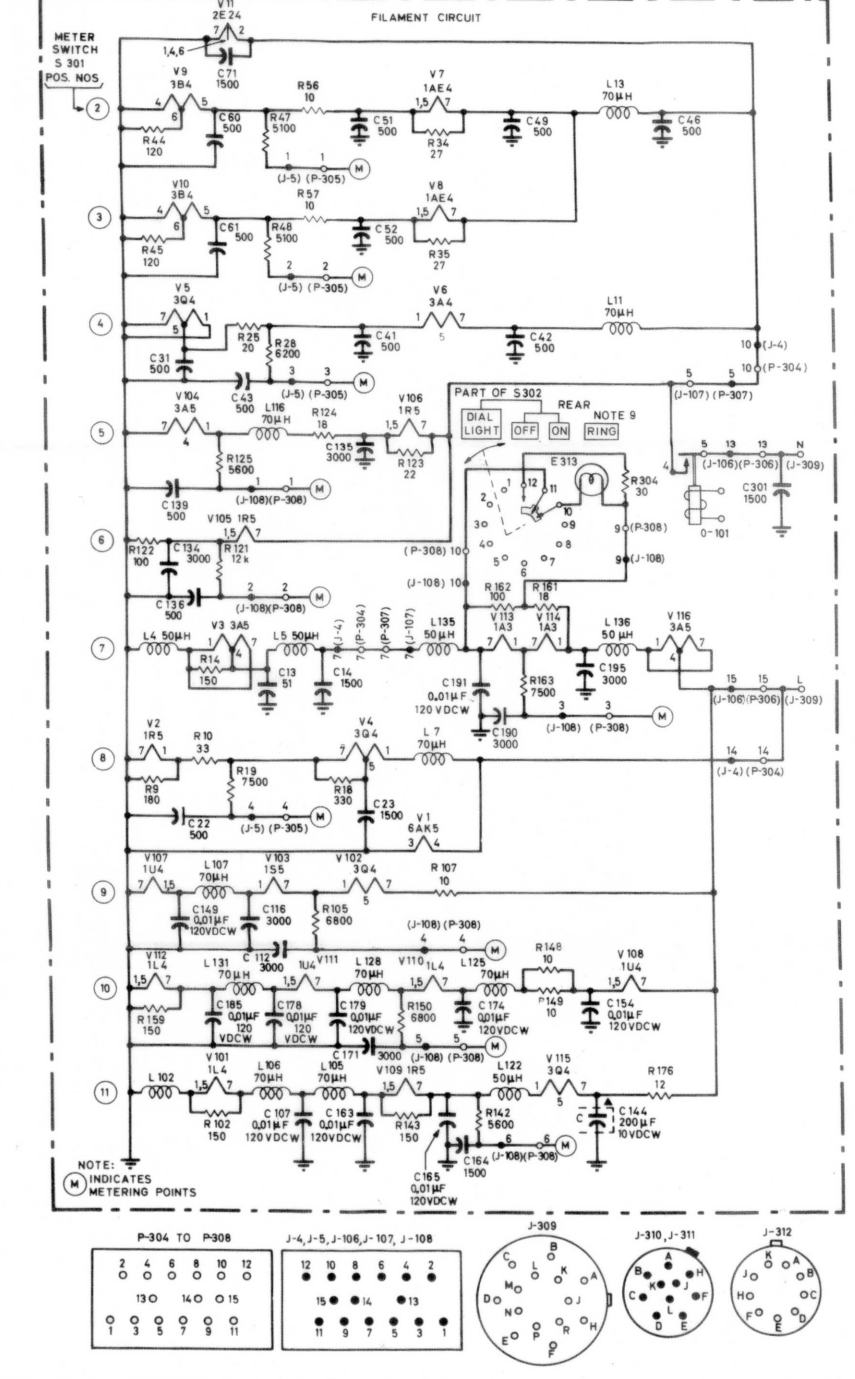
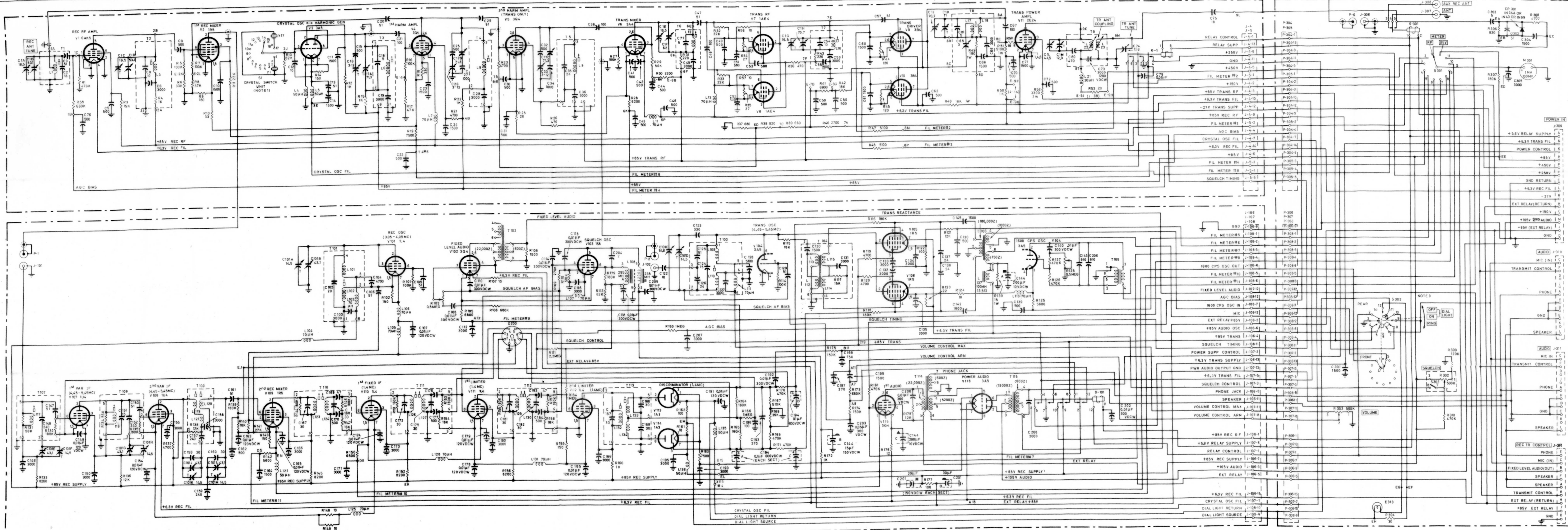


RECEIVER-TRANSMITTER RT-68/GRC SCHEMATIC DIAGRAM



NOTES

1-CRYSTAL SWITCH ASSEMBLY CHART SHOWING CRYSTAL UNIT INSTALLATION.

CRYSTAL POS NOS	CRYSTAL FREQUENCIES (KC)
1	8387.500
2	8637.500
3	8887.500
4	6081.666
5	6258.333
6	6425.000
7	6591.666
8	6758.333
9	6925.000
10	7081.666
11	7258.333
12	7425.000
13	7591.666
14	7758.333
15	7925.000
16	8091.666
17	8258.333

2-CHART SHOWING PARTS PLACEMENT ON TERMINAL BOARDS

A BOARD				B BOARD				C BOARD							
5	C 110	4	1	R 172	2	23	C 142	24	1	R 116	10	1	R 116	10	
5	R 181	20	5	R 111	4	5	R 118	8	19	R 120	22	9	R 119	18	
9	R 174	8	5	C 118	8	10	R 124	8	17	R 124	8	13	R 121	14	
9	R 173	8	9	C 192	10	17	R 116	18	13	R 105	14	15	R 153	16	
7	R 170	10	11	R 175	10	17	R 119	18	13	C 112	16	19	R 169	20	
13	R 180	14	13	R 180	14	15	C 145	16	15	R 107	18	23	R 166	22	
13	C 109	16	13	R 121	14	17	R 121	14	11	R 176	18	8	R 113	5	
13	C 112	16	19	R 169	20	13	C 136	12	2	C 200	3	12	C 114	7	
15	R 107	18	23	R 166	22	11	C 139	12	7	C 198	18	11	C 198	18	
17	R 176	18	8	R 113	5	11	R 125	10	18	C 203	16	7	C 203	16	
2	C 200	3	12	C 114	7	9	L 116	10	18	L 137	-	18	R 168	19	
7	C 198	18	11	C 198	18	7	C 198	18	18	R 167	21	TOP	C 143	NOT	
5	C 203	16	7	C 203	16	18	C 140	10	18	R 170	21	TOP	C 206	NOT	
1	R 178	2	24	C 108	23	5	R 126	6	20	C 108	23	5	R 126	6	
				20	C 193	21	1	R 128	20	C 193	21	1	R 128	20	
				3	R 180	4	16	C 137	20	3	R 180	4	16	C 137	20
				8	R 150	11	20	C 138	24	8	R 150	11	20	C 138	24
				8	C 171	12									

- RESISTORS ARE IN OHMS, CAPACITORS ARE IN μ F UNLESS OTHERWISE SHOWN
- RESISTORS ARE $\frac{1}{2}$ WATT UNLESS OTHERWISE SHOWN
- CAPACITORS HAVE 500 VDCW UNLESS OTHERWISE SHOWN
- E-2K, E-2L, E-4H, E-6A, E-6B, E-7B, E-8G, E-9H AND E-9J ARE TEST POINTS. THE NUMBER IDENTIFIES THE ASSOCIATED CIRCUIT SECTION. FOR EXAMPLE, E-2K IS ASSOCIATED WITH V-2. THE LETTERING INDICATES SEQUENCE
- 1A, 1B THRU 9R ARE TEST POINTS ON FR CHASSIS. E-4 THRU E-9 ARE TEST POINTS ON FRONT PANEL.
- THE VARIABLE CONDENSERS WITHIN EACH OF THE FOLLOWING GROUPS ARE GANGED: A-C-18, C-10, C-10, C-11, C-11, C-17A, C-17B, C-17C, C-101B, C-101C, C-101E, C-101G, C-101J, C-101L
- SWITCH S-302 IS SHOWN FROM WIRING SIDE IN "ON" POSITION. FRONT INDICATES TERMINALS NEAREST CONTROL END.
- E-4 THRU E-9 AT A, B, C, D, E, F, G, H, I, J ARE TEST POINTS ON CHASSIS
- ALL TUNING CORES ARE GROUNDED

