

*DIGITRON—Long Life 10 Digit End-Viewing Cold Cathode Numerical Register Tube

GR10M

Characteristics and Recommended Operating Conditions

(at room temperature unless otherwise stated)

Minimum anode to cathode voltage to ensure breakdown (see Note 1)	170 V
Nominal running voltage at 2 mA	140 V
D.C. Operation—	
Recommended Cathode Current	2 mA
Minimum positive bias on non-conducting cathodes (See Note 2)	60 V
Half wave A.C. supply	
Recommended Cathode Current, average	1.5 mA
peak	7 mA
Minimum positive bias on non-conducting cathodes (See Note 2)	40 V
Life expectancy (2 mA cathode current) (See Note 3)	
Continuous ionisation of one cathode	> 5,000 hours
Sequentially switching cathodes every 100 hours or less	> 30,000 hours

Absolute Maximum Ratings

Cathode current (each digit)—	
Maximum average (averaging time = 20 mS)	2.5 mA
Maximum peak	10 mA
Minimum for D.C. operation	1.0 mA
Bulb temperature—	
Maximum	+ 70°C
Minimum (See Note 3)	— 50°C

Notes—

- (1) At temperatures below 0°C anode supply should be at least 200 V.
- (2) Under limit conditions some deterioration of the glow appearance may occur during life. To minimise this, the voltage between the conducting and non-conducting cathodes should be as high as possible.
- (3) At —50°C the life expectancy of the tube is reduced.

* Registered Trade Mark



***DIGITRON—Long Life 10 Digit End-Viewing
Cold Cathode Numerical Register Tube**

GR10M

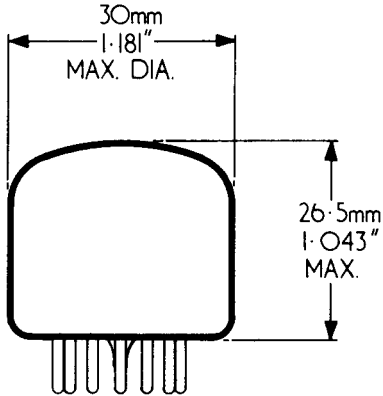
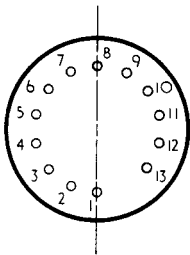
Mechanical Data

Mounting position
Base
Socket

Any
B13B
B13B

Base Connections
(underside view)

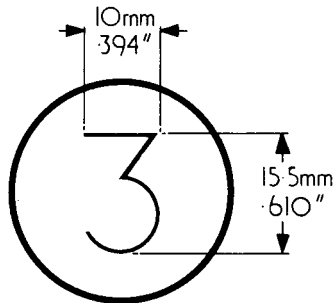
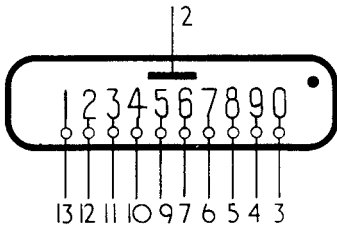
CENTRE LINE OF CHARACTERS



The dome of the tube
is filter coated

- Pin 2 Anode
- 3 Cathode 0
- 4 Cathode 9
- 5 Cathode 8
- 6 Cathode 7
- 7 Cathode 6
- 9 Cathode 5
- 10 Cathode 4
- 11 Cathode 3
- 12 Cathode 2
- 13 Cathode 1

Note—All other pins are
to be left unconnected

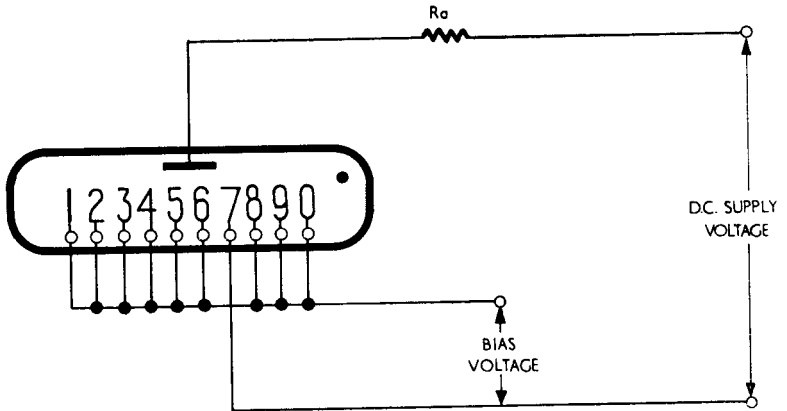


* Registered Trade Mark

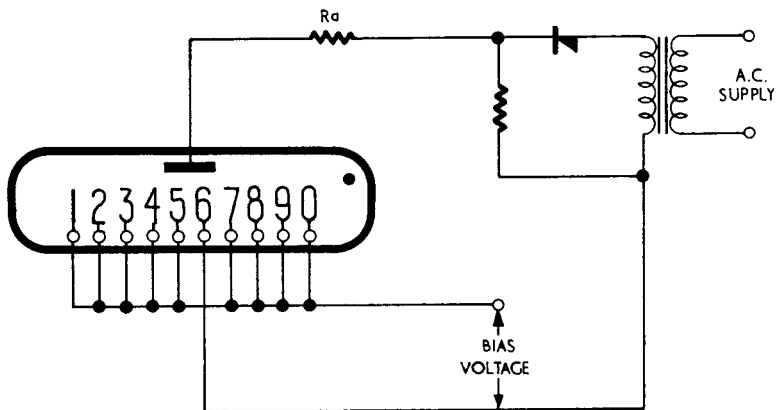


***DIGITRON—Long Life 10 Digit End-Viewing
Cold-Cathode Numerical Register Tube**

GR10M



Typical Circuit for D.C. Operation



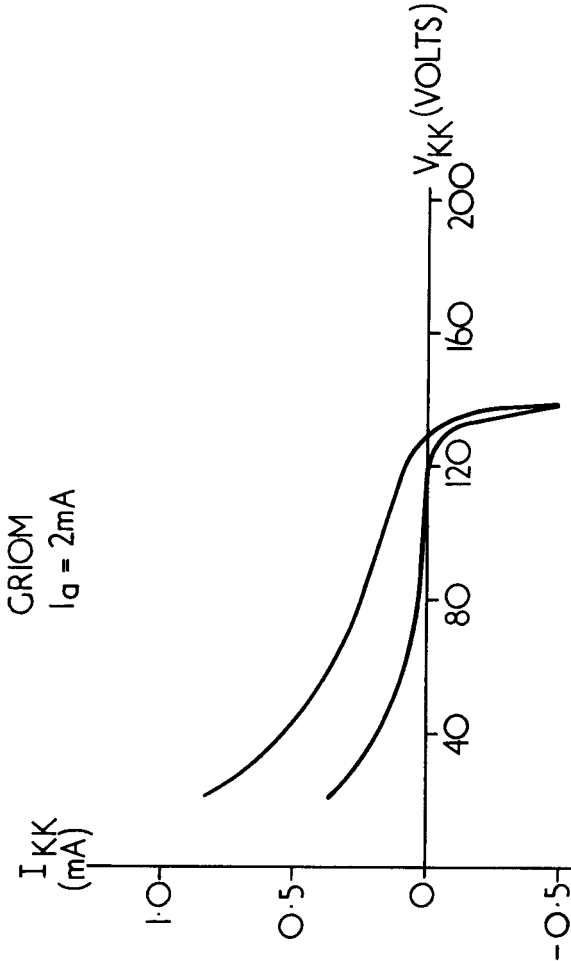
Typical Circuit for A.C. Operation

*Registered Trade Mark



GR10M

*DIGITRON—Long Life 10 Digit End-Viewing
Cold-Cathode Numerical Register Tube



Sum of the Total Probe Current to all Non-Illuminating Cathodes
Plotted against Cathode Bias Voltage.

*Registered Trade Mark

