



919

**HIGH-VACUUM PHOTOTUBE**

WITH CATHODE TERMINAL CAP

Cathode	Semi-cylindrical	
Photosurface		S2
Window Area		1.0 sq. in.
Direct Interelectrode Capacitances		2.0 $\mu$ f
Overall Length		4-3/16" to 4-7/16"
Seated Height		3-9/16" to 3-13/16"
Maximum Diameter		1-3/16"
Bulb (lime glass)		T-8
Cap		Small Metal
Base		Tapered Small 4-Pin
Pin 1-No Connection		Pin 4-No Connection
Pin 2-Anode (+)		Cap -Cathode (-)
Pin 3-No Connection		
Mounting Position		Any



DIRECTION OF LIGHT  
BOTTOM VIEW

*Maximum Ratings Are Absolute Values*

**MAXIMUM RATINGS and CHARACTERISTICS**

Anode-Supply Voltage (D.C. or Peak A.C.)	500 max. volts
Anode Current*	30 max. $\mu$ amp.
Ambient Temperature	100 max. $^{\circ}$ C
Luminous Sensitivity*	20 $\mu$ amp./lumen
Sensitivity at 8000 Angstroms	0.0020 $\mu$ amp./ $\mu$ watt
D-C Resistance of Load:	
<i>With anode-supply voltage of</i>	
250 volts	1 min. megohm
<i>With anode-supply voltage of</i>	
500 volts	10 min. megohms

- \* On the basis of the use of a sensitive cathode area 1/2" in diameter.
- \* Subject to variations as explained on sheet PHOTOTUBE SENSITIVITY MEASUREMENTS in the front of this section.

**CURVES**

for the 919 are the same as those for the 917.

Spectral Sensitivity Characteristic of S2 Photosurface in lime-glass bulb is shown at beginning of this section.

← Indicates a change.

Mar. 20, 1943

RCA VICTOR DIVISION  
RADIO CORPORATION OF AMERICA, HARRISON, NEW JERSEY

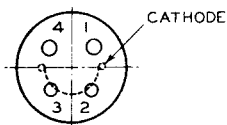
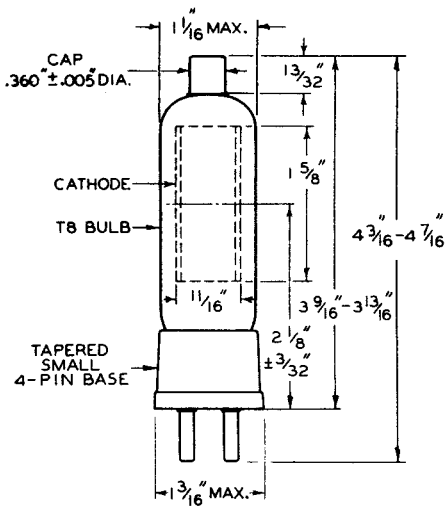
DATA

919



919

## HIGH-VACUUM PHOTOTUBE



92C-4359R3

BOTTOM VIEW

← Indicates a change.

Mar. 20, 1943

 RCA VICTOR DIVISION  
 RADIO CORPORATION OF AMERICA, HARRISON, NEW JERSEY

CE-4359R3



919

919

# VACUUM PHOTOTUBE

LOW-LEAKAGE TYPE WITH CATHODE-TERMINAL CAP AND S-1 RESPONSE

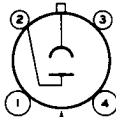
*For light-measuring and relay applications*

The 919 is the same as the 917 except for the following item:

**General:**

Base . . . . . Dwarf-Shell Small 4-Pin (JETEC No. A4-26)  
Basing Designation for BOTTOM VIEW . . . . . 1B

- Pin 1 - No Connection
- Pin 2 - Anode
- Pin 3 - No Connection



- Pin 4 - No Connection
- Cap - Cathode