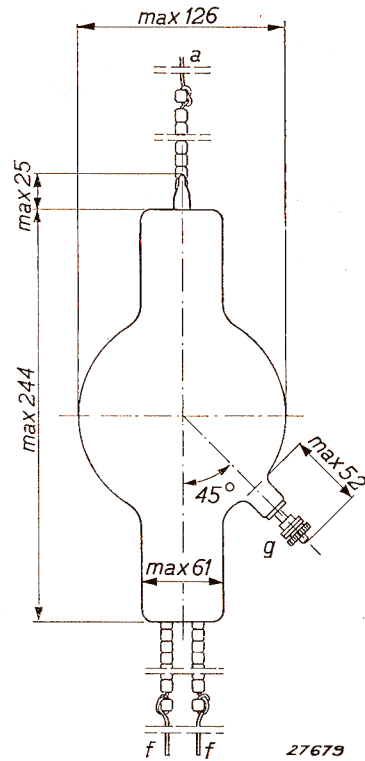


PHILIPS



TRANSMITTING VALVE

TA 8/500

PHILIPS-EMISSION

Description

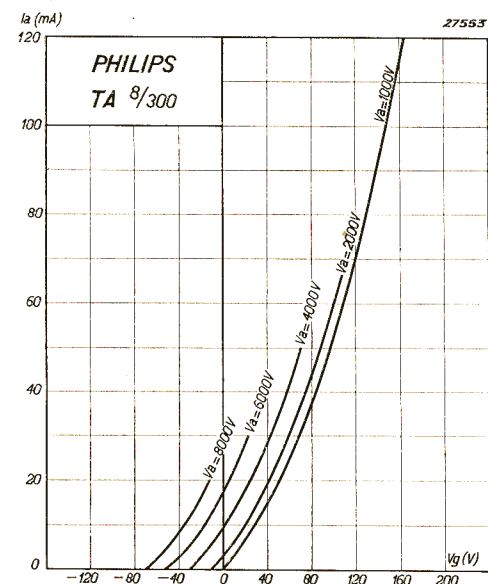
This transmitting triode has been specially designed for use in small telegraphy transmitters.

The output of the valve is indicated below for different values of the efficiency. The table has been based on the maximum permissible anode current of 60 milliamps and an anode dissipation of 150 watts.

Two Philips rectifying valves DA 8/300 are suitable for supplying anode current to one TA 8/300.

Normally the TA 8/300 is delivered as indicated in the dimensioned drawing.

Efficiency	Input	Output	Anode dissipation
50 %	300 watts	150 watts	150 watts
60 %	375 watts	225 watts	150 watts
65 %	430 watts	280 watts	150 watts
70 %	480 watts	335 watts	145 watts



Technical Data

Filament voltage	$V_f = 9.0 \text{ V}$
Filament current	$I_f = \text{appr. } 5.6 \text{ A}$
Total emission	$I_s = \text{appr. } 350 \text{ mA}$
Anode voltage	$V_a = \text{max. } 8000 \text{ V}$
Max. permissible anode dissipation	$W_a = 150 \text{ W}$
Anode dissipation during test	$W_{at} = 200 \text{ W}$
Amplification factor	$\mu = \text{appr. } 110$
Mutual conductance at $I_a = 50 \text{ mA}$	$S_{norm} = \text{appr. } 0.9 \text{ mA/V}$
Maximum mutual conductance	$S_{max} = \text{appr. } 1.5 \text{ mA/V}$
Internal resistance at $I_a = 50 \text{ mA}$	$R_i = \text{appr. } 120000 \text{ ohms}$