



**ELECTRONIC
INNOVATIONS**
IN ACTION

— **PRODUCT INFORMATION** —

Compactron Diode

2AS2-A

TUBES

**FOR TV HIGH-VOLTAGE
RECTIFIER APPLICATIONS**

- COLOR TV TYPE
- 24000 VOLTS DC
- 1.5 MILLIAMPERES DC
- X-RADIATION RATING

The 2AS2-A is a heater-cathode type diode designed for use in color television receivers as the high-voltage rectifier to supply power to the anode of the picture tube.

The 2AS2-A features built-in X-radiation shielding and additional design and specification controls for the reduction of X-radiation output.

GENERAL

ELECTRICAL

Cathode - Coated Unipotential	
Heater Characteristics and Ratings	
Heater Voltage, AC or DC *	2.5 ± 0.4 Volts
Heater Current •	0.33 Amperes
Direct Interelectrode Capacitances, approximate ▲	
Plate to Heater, Cathode, and Internal Shield:	
p to (h+k+i.s.)	1.4 pf

MECHANICAL

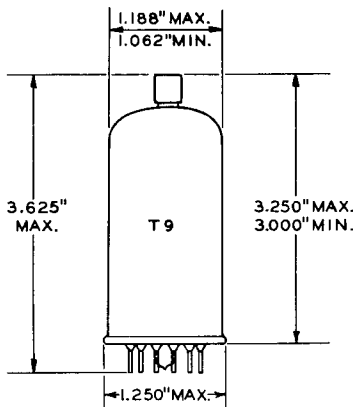
Operating Position - Any	
Envelope - T-9, Glass	
Base - E12-70, Button 12-Pin	
Top Cap - C1-34, C1-49 or C1-50, Small	
Outline Drawing	
Maximum Bulb Diameter	1.188 Inches
Maximum Seal Diameter	1.250 Inches
Minimum Diameter	1.062 Inches
Maximum Over-all Length	3.625 Inches
Maximum Seated Height	3.250 Inches
Minimum Seated Height	3.000 Inches

MAXIMUM RATINGS

FLYBACK RECTIFIER SERVICE † — DESIGN-MAXIMUM VALUES UNLESS OTHERWISE STATED

Peak Inverse Voltage	
DC Component (Absolute-Maximum Value)	24000 Volts
Total DC and Peak (Absolute-Maximum Value)	30000 Volts
Steady-State Peak Plate Current	80 Milliampers
DC Output Current	1.5 Milliampers
Heater Voltage, AC or DC (Absolute-Maximum Value) §	2.9 Volts
Heater Voltage, AC or DC (Absolute-Minimum Value)	2.1 Volts

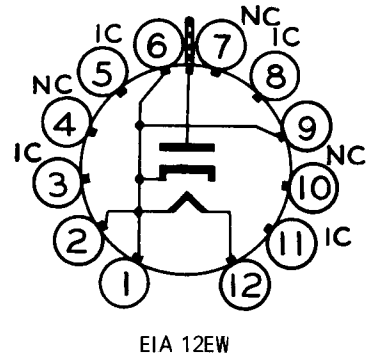
PHYSICAL DIMENSIONS



TERMINAL CONNECTIONS *

- Pin 1 - Heater, Cathode and Internal Shield
- Pin 2 - Heater, Cathode and Internal Shield
- Pin 3 - Internal Connection - Do Not Use
- ⊕ Pin 4 - No Connection
- Pin 5 - Internal Connection - Do Not Use
- Pin 6 - Heater, Cathode and Internal Shield
- ⊕ Pin 7 - No Connection
- Pin 8 - Internal Connection - Do Not Use
- Pin 9 - Heater, Cathode and Internal Shield
- ⊕ Pin 10 - No Connection
- Pin 11 - Internal Connection - Do Not Use
- Pin 12 - Heater
- Cap - Plate

BASING DIAGRAM



MAXIMUM RATINGS (Cont'd)

Design-Maximum ratings are limiting values of operating and environmental conditions applicable to a bogey electron tube of a specified type as defined by its published data and should not be exceeded under the worst probable conditions.

The tube manufacturer chooses these values to provide acceptable serviceability of the tube, making allowance for the effects of changes in operating conditions due to variations in the characteristics of the tube under consideration.

The equipment manufacturer should design so that initially and throughout life no design-maximum value for the intended service is exceeded with a bogey tube under the worst probable operating conditions with respect to supply-voltage variation, equipment component variation, equipment control adjustment, load variation, signal variation, environmental conditions, and variations in the characteristics of all other electron devices in the equipment.

Absolute-Maximum ratings are limiting values of operating and environmental conditions applicable to any electron tube of a specified type as defined by its published data and should not be exceeded under the worst probable conditions.

The tube manufacturer chooses these values to provide acceptable serviceability of the tube, making no allowance for equipment variations, environmental variations, and the effects of changes in operating conditions due to variations in the characteristics of the tube under consideration and of

all other electron devices in the equipment.

The equipment manufacturer should design so that initially and throughout life no absolute-maximum value for the intended service is exceeded with any tube under the worst probable operating conditions with respect to supply-voltage variation, equipment component variation, equipment control adjustment, load variation, signal variation, environmental conditions, and variations in the characteristics of the tube under consideration and of all other electron devices in the equipment.

AVERAGE CHARACTERISTICS

Tube Voltage Drop, approximate

Ib = 7.0 Milliamperes 60 Volts

X-RADIATION RATING

X-radiation, maximum 25 mR/hr

Based on accumulated sample test data taken initially and during life test, tubes do not exceed the maximum rating limit of 25 mR/hr at any time throughout their useful life, when operated within the maximum ratings, including heater voltage, specified on this data sheet.

This X-radiation maximum rating is based on the use of the Victoreen 440 RF/C survey meter as the standard instrument for X-radiation measurement. X-radiation is measured with the plastic spacer of the 440 RF/C survey meter at a distance of four (4) inches from the external surface of the tube under test. This rating information is not necessarily applicable when a different radiation measuring instrument is used.

Operation of the 2AS2-A outside of the Absolute-Maximum

Ratings indicated may damage the tube and/or result in either temporary or permanent changes in the X-radiation characteristics of the tube. Equipment design must be such that these Absolute-Maximum Ratings are not exceeded.

The above X-radiation characteristics are measured in accordance with JEDEC Publication No. 67A, "Recommended Practice for Measurement of X-radiation from Receiving Tubes," and controlled in accordance with JEDEC Publication No. 73A, "Recommended Practice for Quality Control of X-radiation from High Voltage Rectifier and Shunt Regulator Receiving Tubes."

The General Electric Company makes no representation concerning the X-radiation output from these tubes when operated beyond the maximum ratings set forth herein.

WARNING

X-RADIATION

The high voltages associated with the 2AS2-A result in production of X-radiation which may constitute a health hazard on prolonged exposure at close range unless the tube is adequately shielded. Equipment design must provide for this shielding.

Precautions must be exercised during the servicing of equipment employing the 2AS2-A to assure that the high voltage is adjusted to the recommended value and that any shielding components are replaced to their intended positions before the equipment is operated.

SHOCK HAZARD

The high voltages at which the 2AS2-A is operated can be extremely dangerous to the user or serviceman. Extreme care should be taken in the use of and for the servicing and adjustment of any high voltage circuit.

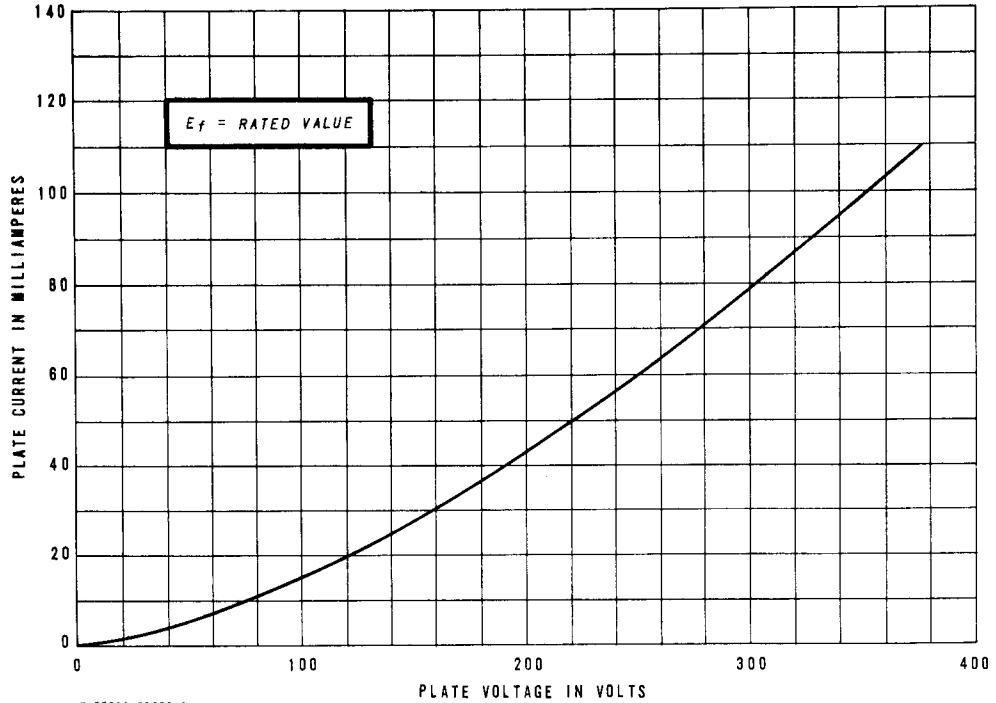
Precautions must be exercised during the replacement or servicing of the 2AS2-A in equipment to assure that the high voltage output terminal is properly grounded while inserting or removing the tube from its socket or while connecting or disconnecting the top cap connector.

THE EQUIPMENT MANUFACTURER SHOULD PROVIDE A WARNING LABEL IN AN APPROPRIATE POSITION ON THE EQUIPMENT TO ADVISE THE SERVICEMAN OF ALL PRECAUTIONS HEREIN.

NOTES

- * The equipment designer should design the equipment so that heater voltage is centered at the specified bogey value, with heater supply variations restricted to maintain heater voltage within the specified tolerance.
- Heater current of a bogey tube at $E_f = 2.5$ volts.
- ▲ Without external shield.
- ◆ For operation in a 525-line, 30-frame television system as described in "Standards of Good Engineering Practice Concerning Television Broadcast Stations," Federal Communications Commission. The duty cycle of the voltage pulse must not exceed 15 percent of one scanning cycle.
- § **CAUTION** - Operation of this tube for an extended period of time with the heater voltage above the absolute maximum rated value of 2.9 volts may result in the production of X-radiation in excess of the maximum rated limit of 25 mR/hr.
- ⊕ Socket terminals 4, 7, and 10 may be used as tie points for components at or near heater potential.

AVERAGE PLATE CHARACTERISTICS



TUBE PRODUCTS DEPARTMENT



Owensboro, Kentucky 42301