

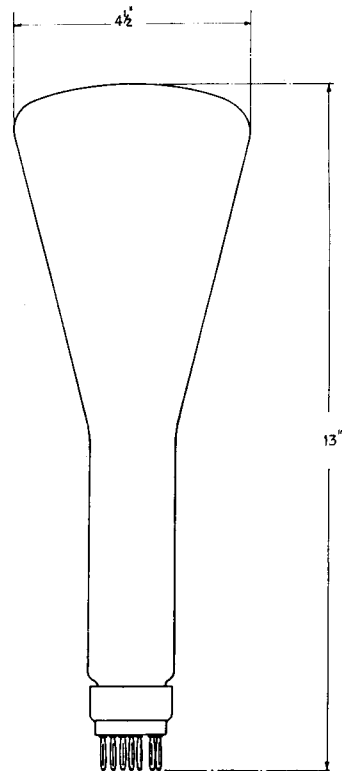
# —Standard Valves—

4050-AB Valve  
-AD Valve  
-AG Valve

## GAS FILLED CATHODE RAY TUBE TYPE 4050-AB, 4050-AD, 4050-AG

### Characteristics.

Filament voltage	0.75 volts
Filament current	0.7 to 1.1 amps.
Anode voltage	300 to 2,000 volts
Normal anode voltage	350 volts
Capacity between either pair of deflecting plates including the socket	5.5 $\mu\mu\text{F}$ . (approx.)
Capacity of any single plate to the anode including the socket	7—8 $\mu\mu\text{F}$ .
Conductance of each pair of deflecting plates	1 $\mu\text{mho}$ (approx.)
Shield voltage (from a potentiometer)	0—50 volts
Sensitivity (approx.)	$\frac{260 \text{ mm. per}}{\text{V}} \text{ volt}$
4050-AB has screen giving blue spot for photographic work.	
4050-AD has screen giving long afterglow of 10—15 seconds in the dark.	
4050-AG has screen giving green spot for visual work.	



### Dimensions.

Length	13" (33 cms.)
Maximum diameter	4 $\frac{1}{2}$ " (11.5 cms.)
Net weight	0.75 lbs. (340 gms.)

### Base.

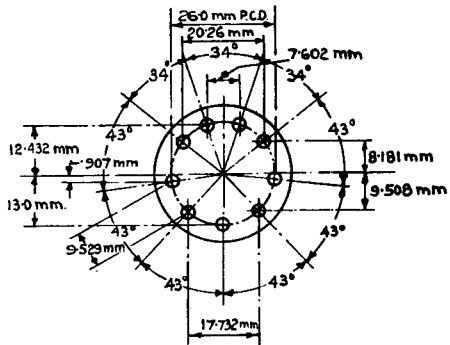
Standard British 9-pin.

4050-AB Valve  
-AD Valve  
-AG Valve

# —Standard Valves—

## Connections to Pins.

- Pin 1—deflecting plate PY2.
- Pin 2—deflecting plate PX2.
- Pin 3—not used.
- Pin 4—filament.
- Pin 5—filament.
- Pin 6—shield.
- Pin 7—deflecting plate PX1.
- Pin 8—deflecting plate PY1.
- Pin 9—anode.



The pins are numbered in a clockwise direction looking at the valve from underneath ; the arrow points between pin 4 and pin 5.

The PX plates produce horizontal deflection when the tube is mounted with pins 4 and 5 at the bottom.

## Associated Apparatus.

A large range of apparatus is made for use with the Cathode Ray Tube. The most important units are the 74300 Type Tube Unit, 74300 Type Mains Unit and the 74300 Type Linear Time Base Unit. The 74310 Cathode Ray Oscillograph Equipment is a complete portable equipment incorporating this tube. For further particulars refer to the Standard Transmission Testing Apparatus Catalogue.

## Operation.

A 2,000 ohm protective resistance should be included in the shield circuit as well as in the anode circuit.

PRINTED IN  
ENGLAND