

—Standard Valves—

4275-A
Valve

4275-A VALVE

TRIODE.

SPECIFICATION.

Cathode.

Oxide coated filament.
Constant voltage type.

Base.

American medium 4-pin bayonet.

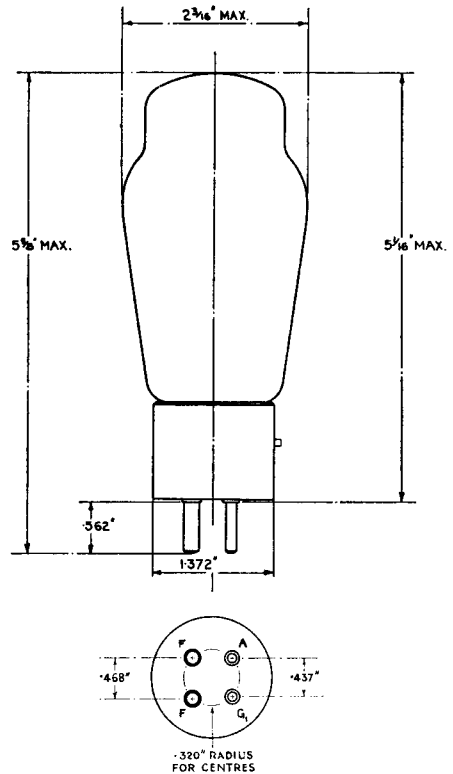
Dimensions.

Overall length $5\frac{5}{8}$ " (14.3 cms.)
Diameter $2\frac{3}{16}$ " (5.5 cms.)
Net weight 0.12 lbs. (55 gms.)

Constants.

Filament voltage 5 volts
Nominal filament current 1.2 amps.
*Amplification factor 2.8
*Impedance 1,000 ohms
Grid-anode capacity 12 $\mu\mu\text{F}$.
Anode-filament capacity 3.2 $\mu\mu\text{F}$.
Grid-filament capacity 6.8 $\mu\mu\text{F}$.

* at anode current of 53 mA.



LIMITING CONDITIONS FOR SAFE OPERATION.

Maximum anode voltage	300 volts
Maximum anode dissipation	17 watts
Maximum anode current of average valve for fixed grid bias	70 mA.
Maximum anode current for manually adjusted grid bias or self-biasing circuit	80 mA.

V.4275-A.1
Nov. 1937

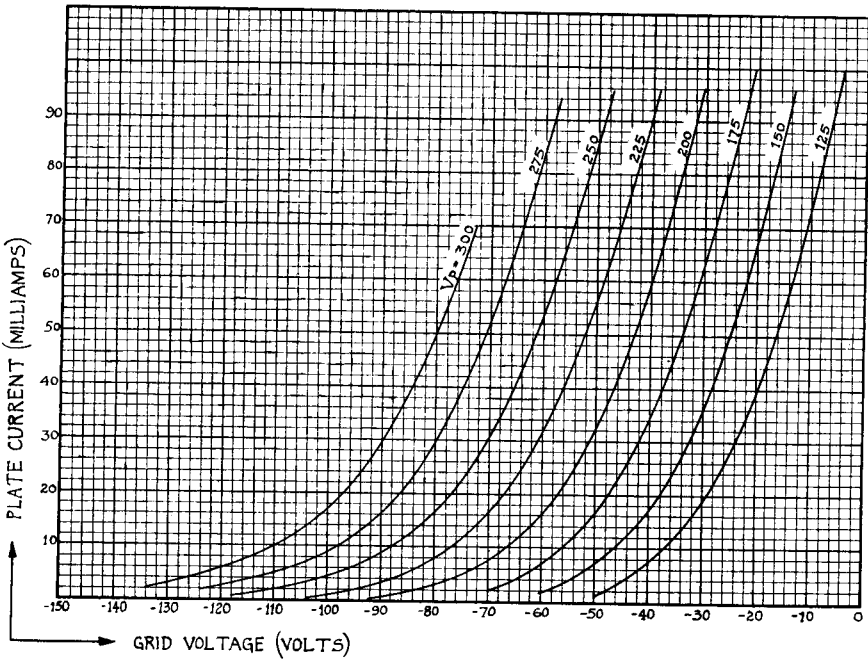
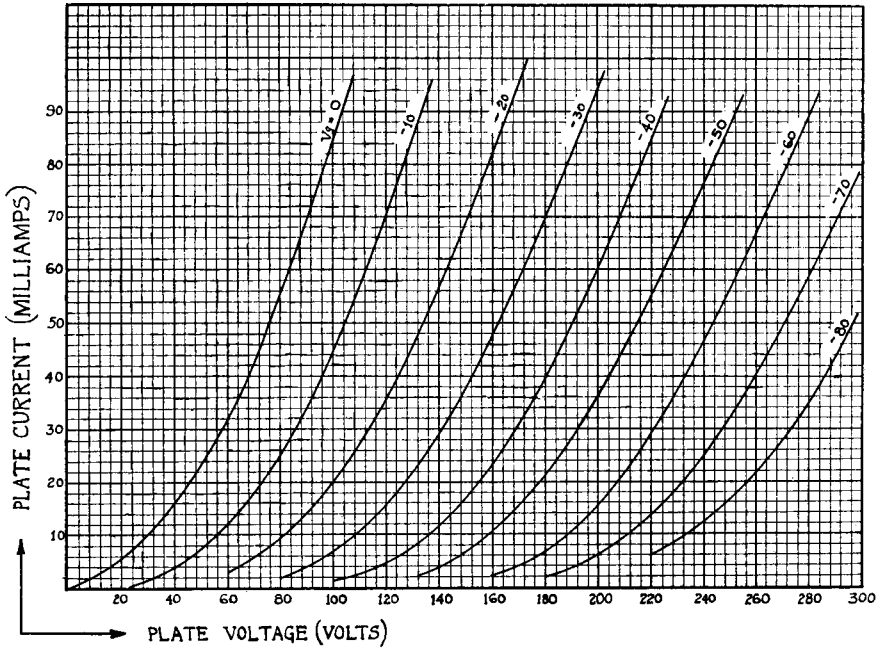
—Standard Valves—

Anode voltage	Grid bias	Anode current	Amplification factor	Anode resistance	Mutual conductance	Load resistance	Power output	Second harmonic
volts	volts	mA.		ohms	mA. per v	ohms	watts	db
150	—40	17	2.6	1,630	1.600	3,260 6,520	0.81 0.58	19 23
150	—30	38	2.8	1,065	2.700	1,065 2,130 4,260	0.86 0.77 0.56	19 24 29
150	—20	70	3.0	810	3.700	810 1,620 3,240	0.55 0.49 0.36	26 30 34
200	—55	24	2.6	1,530	1.750	1,530 3,060 6,120	2.0 1.6 1.2	15 19 23
200	—50	34	2.7	1,230	2.250	1,230 2,460 4,920	2.0 1.8 1.3	16 20 25
200	—45	47	2.8	1,030	2.770	1,030 2,060 4,120	1.9 1.7 1.3	18 22 27
200	—40	61	2.9	885	3.270	885 1,770 3,540	1.8 1.6 1.2	20 25 29
250	—70	30	2.6	1,400	1.880	3,000 6,000 10,000	2.8 2.0 1.4	18 23 26
250	—65	41	2.7	1,170	2.330	2,000 4,000 8,000	3.2 2.5 1.5	19 23 28
250	—60	53	2.8	1,000	2.780	2,000 3,000 4,000 6,000 8,000 10,000	3.1 2.6 2.3 1.7 1.4 1.2	21 23 25 28 29 30
*200	—35	78	2.9	780	3.750	1,560 3,120	1.5 1.1	27 31
*250	—55	68	2.8	870	3.220	1,000 3,000 6,000 8,000	3.3 2.4 1.6 1.2	19 26 30 31
*300	—100	18	2.4	2,420	1.000	9,680	2.3	20
*300	—95	23	2.5	1,910	1.280	7,640	2.6	21
*300	—90	30	2.6	1,560	1.630	6,240	3.0	22
*300	—85	41	2.6	1,300	2.030	2,600 5,200	4.7 3.3	18 23
*300	—80	51	2.7	1,100	2.450	2,200 4,400	4.9 5.5	19 24

* Maximum operating conditions.

—Standard Valves—

4275-A
Valve



V.4275-A.2
Nov. 1937

PRINTED IN
ENGLAND