

TUNG-SOL

CATHODE RAY

COATED UNIPOTENTIAL CATHODE

HEATER

6.3 VOLTS 0.6 AMP.

AC OR DC

ANY MOUNTING POSITION

GLASS BULB

SMALL SHELL DUODECAL 7 PIN BASE

THE 12KP4A IS A GLASS ENVELOPE, MAGNETIC DEFLECTION AND MAGNETIC FOCUS DIRECT-VIEW PICTURE TUBE INTENDED FOR USE IN TELEVISION RECEIVERS. IT PROVIDES FOR A PICTURE 7 3/4" X 10 1/2". A REFLECTIVE METAL-BACKED SCREEN PREVENTS ION-SPOT BLEMISH AND GIVES IMPROVED PICTURE CONTRAST AND DETAIL. AN EXTERNAL CONDUCTIVE COATING WHEN GROUNDED SERVES AS A HIGH VOLTAGE FILTER CAPACITOR.

DESCRIPTION

FLUORESCENCE AND PHOSPHORESCENCE	WHITE
PERSISTENCE	MEDIUM
DEFLECTING AND FOCUSING METHOD	MAGNETIC
DEFLECTION ANGLE (APPROX.)	54 DEGREES
COATING	CONDUCTIVE
BULB CONTACT	RECESSED SMALL CAVITY CAP
RASTER SIZE	7 3/4" X 10 1/2"

RATINGS

INTERPRETED ACCORDING TO RMA STANDARD M8-210

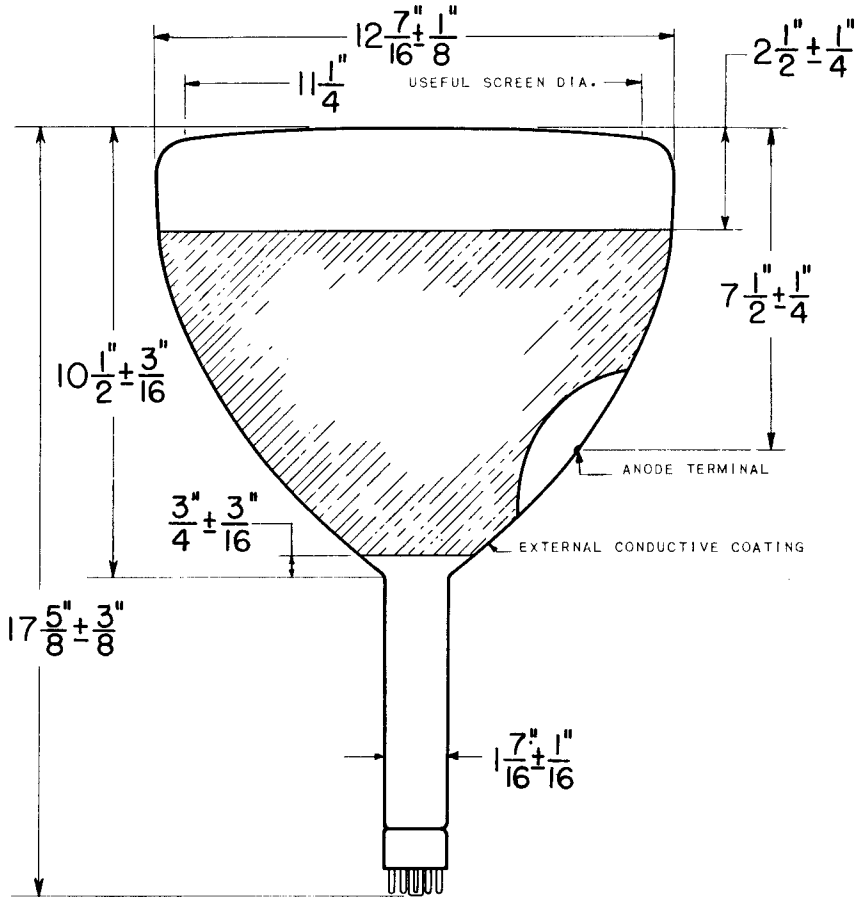
HEATER VOLTAGE	6.3	VOLTS
HEATER CURRENT	0.6	AMP.
MAXIMUM ANODE VOLTAGE	12 000	VOLTS
MAXIMUM GRID #2 VOLTAGE	410	VOLTS
MAXIMUM GRID #1 VOLTAGE:		
NEGATIVE BIAS VOLTAGE	125	VOLTS
POSITIVE BIAS VOLTAGE	0	VOLTS
POSITIVE PEAK VOLTAGE	2	VOLTS
PEAK HEATER-CATHODE VOLTAGE:		
HEATER NEGATIVE WITH RESPECT TO CATHODE:		
DURING EQUIPMENT WARM-UP PERIOD		
NOT EXCEEDING 15 SECONDS	410	VOLTS
AFTER EQUIPMENT WARM-UP PERIOD	140	VOLTS
HEATER POSITIVE WITH RESPECT TO CATHODE	140	VOLTS
MAXIMUM GRID #1 CIRCUIT RESISTANCE	1.5	MEG OHMS

TYPICAL OPERATING CONDITIONS AND CHARACTERISTICS

ANODE VOLTAGE	11 000	VOLTS
GRID #2 VOLTAGE	250	VOLTS
GRID #1 VOLTAGE (VISUAL EXTINCTION OF UNDEFLECTED FOCUSED SPOT)	-27 TO -63	VOLTS
FOCUSING COIL CURRENT (APPROX.)	135	MA.

PRINTED IN U. S. A.

PLATE 2493 NOV. 1 1950



- 1. HEATER
- 2. GRID NO. 1
- 6. NO CONNECTION
- 7. NO CONNECTION
- 10. GRID NO. 2
- 11. CATHODE
- 12. HEATER

