

TUNG-SOL

CATHODE RAY

THE 20MP4 IS A DIRECT-VIEW PICTURE TUBE DESIGNED FOR USE IN TELEVISION APPLICATIONS. ITS FEATURES INCLUDE:

MAGNETIC DEFLECTION	UNIPOTENTIAL CATHODE
GREY FILTER FACEPLATE	EXTERNAL CONDUCTIVE COATING
RECTANGULAR GLASS CONSTRUCTION	17 1/4" X 13 1/4" RASTER SIZE
LOW VOLTAGE ELECTROSTATIC FOCUS	EXTERNAL SINGLE FIELD ION TRAP

ELECTRICAL DATA

FOCUSING METHOD		ELECTROSTATIC
DEFLECTING METHOD		MAGNETIC
DEFLECTION ANGLE (APPROX.):		
HORIZONTAL	66	DEGREES
VERTICAL	50	DEGREES
DIAGONAL	70	DEGREES
DIRECT INTERELECTRODE CAPACITANCES (APPROX.):		
CATHODE TO ALL OTHER ELECTRODES	5	μmf
GRID #1 TO ALL OTHER ELECTRODES	6	μmf
MAXIMUM EXTERNAL CONDUCTIVE COATING TO ANODE	750	μmf
MINIMUM EXTERNAL CONDUCTIVE COATING TO ANODE	500	μmf

OPTICAL DATA

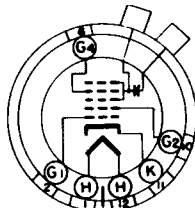
PHOSPHOR NUMBER	SULFIDE TYPE	NO. 4
FLUORESCENT COLOR		WHITE
PHOSPHORESCENT COLOR		WHITE
PERSISTENCE		SHORT
FACEPLATE LIGHT TRANSMISSION AT CENTER (APPROX.)	66	PERCENT

MECHANICAL DATA

OVERALL LENGTH	21 3/4 \pm 3/8	INCHES
GREATEST DIMENSIONS OF BULB:		
DIAGONAL	20 3/32 \pm 3/16	INCHES
WIDTH	18 11/16 \pm 3/16	INCHES
HEIGHT	14 15/16 \pm 3/16	INCHES
MINIMUM USEFUL SCREEN DIMENSIONS:		
DIAGONAL	18 5/8	INCHES
WIDTH	17 1/4	INCHES
HEIGHT	13 1/4	INCHES
BULB CONTACT	RECESSED SMALL CAVITY CAP	J1-21
BASE	SMALL SHELL DUODECAL 6 PIN	B6-63
BASING		12L
BULB CONTACT ALIGNMENT		
	J1-21 CONTACT ALIGNS WITH PIN POSITION #6 \pm 30 DEGREES	

PIN CONNECTIONS

PIN 1 - HEATER
 PIN 2 - GRID NO. 1
 PIN 6 - GRID NO. 4
 PIN 10 - GRID NO. 2
 PIN 11 - CATHODE



PIN 12 - HEATER
 ANODE CAP:
 GRID NO. 3
 GRID NO. 5
 COLLECTOR

BOTTOM VIEW

CONTINUED ON FOLLOWING PAGE

TUNG-SOL

CONTINUED FROM PRECEDING PAGE

RATINGS

DESIGN CENTER VALUES

HEATER VOLTAGE	6.3	VOLTS
HEATER CURRENT	0.6	AMP.
MAXIMUM DC GRID #3, GRID #5, COLLECTOR VOLTAGE	16 000	VOLTS
MAXIMUM DC GRID #4 VOLTAGE	-500 TO +1000	VOLTS
MAXIMUM DC GRID #2 VOLTAGE	500	VOLTS
MAXIMUM GRID #1 VOLTAGE:		
DC NEGATIVE-BIAS VALUE	125	VOLTS
DC POSITIVE-BIAS VALUE	0	VOLTS
POSITIVE-PEAK VALUE	2	VOLTS
MAXIMUM DC PEAK HEATER-CATHODE VOLTAGE:		
HEATER NEGATIVE WITH RESPECT TO CATHODE		
DURING WARM-UP PERIOD NOT TO EXCEED 15 SECONDS	410	VOLTS
AFTER EQUIPMENT WARM-UP PERIOD	180	VOLTS
HEATER POSITIVE WITH RESPECT TO CATHODE	180	VOLTS

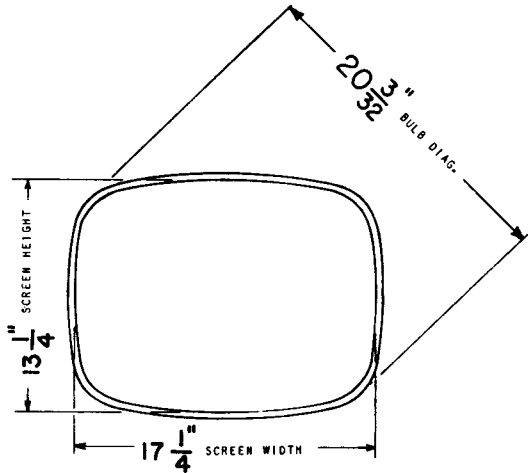
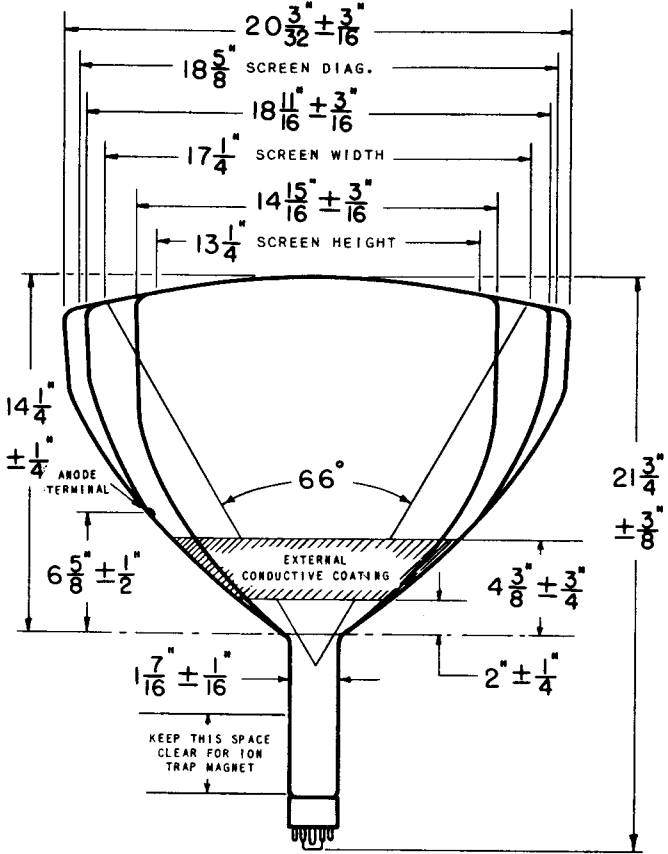
TYPICAL OPERATING CONDITIONS AND CHARACTERISTICS

DC GRID #3, GRID #5, COLLECTOR VOLTAGE	14 000	VOLTS
DC GRID #4 VOLTAGE (FOCUSING ELECTRODE) ^A	-55 TO +300	VOLTS
DC GRID #1 VOLTAGE ^B	-33 TO -77	VOLTS
ION TRAP MAGNET (RATED STRENGTH)	45	GAUSSSES

^AFOR ANODE CURRENT OF 100 UAMP.^BVISUAL EXTINCTION OF UNDEFLECTED FOCUSED SPOT.**CIRCUIT VALUES**

MAXIMUM GRID #1 CIRCUIT RESISTANCE	1.5	MEGOHMS
------------------------------------	-----	---------

TUNG-SOL



PRINTED IN U. S. A.

PLATE 534-3