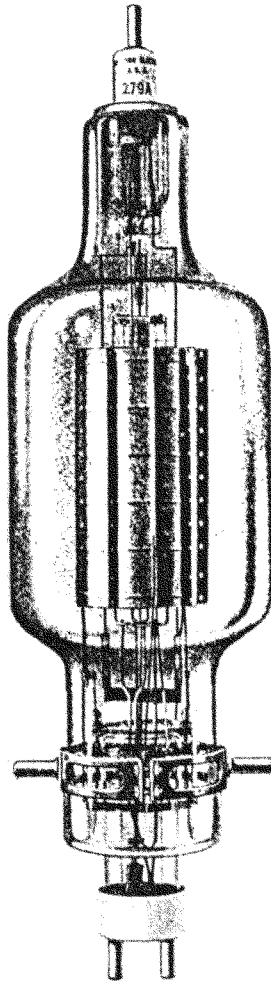


Western Electric

279A Vacuum Tube



Classification—Filamentary air-cooled triode

May be used as an audio-frequency amplifier or as a radio-frequency amplifier, modulator or oscillator.

Dimensions—Dimensions and outline diagrams are shown in Figure 1. The overall dimensions are:

Maximum overall length.....	21 $\frac{11}{16}$ "
Maximum diameter.....	6"

Mounting—W.E. 142A or similar socket. See Figure 1 for mounting arrangements. The tube should be mounted in a vertical position.

Filament—Thoriated tungsten.

Filament voltage	10 volts a.c.
Nominal filament current	21.0 amperes
Average thermionic emission	8.0 amperes

Average Direct Interelectrode Capacitances

Plate to grid	18.0 $\mu\mu\text{f}$
Grid to filament	15.0 $\mu\mu\text{f}$
Plate to filament	7.0 $\mu\mu\text{f}$

Characteristics—Performance data given below are based upon a typical set of conditions. Variations can be expected with different circuits and tubes.

Figures 2 and 3 give the static characteristics of a typical tube plotted against grid and plate voltages.

Average Characteristics at maximum direct plate voltage and dissipation — Class A ($E_b = 2500$ volts, $I_b = 300$ milliamperes.)

Amplification factor	10
Plate resistance	2000 ohms
Grid to plate transconductance	5000 micromhos

Operation**Maximum Ratings**

Max. direct plate voltage	3000 volts
Max. direct plate current	800 milliamperes
Max. plate dissipation	1200 watts
Max. direct grid current	100 milliamperes
Max. r-f grid current	15 amperes
Max. frequency for the above ratings	20 megacycles
Max. plate voltage for upper frequency limit of 40 Mc	1500 volts
Max. plate voltage for frequencies between 20 and 40 Mc in proportion.	

Class A Audio Amplifier or Modulator

Direct plate voltage	2500	2000 volts
Grid bias	-170	-110 volts
Direct plate current	300	375 milliamperes
Plate dissipation	750	750 watts
Load impedance	4500	2000 ohms
Undistorted output	155	85 watts

Class B Audio Amplifier or Modulator for Balanced 2 Tube Circuit

Direct plate voltage	2500	2000 volts
Grid bias	-200	-150 volts
Direct plate current per tube		
No drive	150	110 milliamperes
Max. drive	800	800 milliamperes
Plate dissipation	900	720 watts
Load resistance, plate-to-plate	2800	2240 ohms
Load resistance, per tube	700	560 ohms
Approximate maximum output—2 tubes	2200	1760 watts
Recommended power for driving stage	100	100 watts

Class B Radio-Frequency Amplifier

Direct plate voltage.....	3000	2500 volts
Direct plate current for carrier conditions.....	600	720 milliamperes
Grid bias.....	-325	-275 volts
Approximate carrier watts for use with 100% modulation.....	600	600 watts

Class C Radio-Frequency Oscillator or Power Amplifier—Unmodulated

Direct plate voltage.....	3000	2500 volts
Direct plate current.....	800	800 milliamperes
Grid bias.....	-500 to -650	-400 to -540 volts
Max. direct grid current.....	150	100 milliamperes
Nominal power output.....	1600	1300 watts
Plate dissipation.....	800	700 watts

Class C Radio-Frequency Amplifier—Plate Modulated

Direct plate voltage.....	2250	1750 volts
Direct plate current.....	600	700 milliamperes
Grid bias.....	-450	-360 volts
Max. direct grid current.....	100	100 milliamperes
Nominal carrier power output for use with 100% modulation.....	900	830 watts

Operating Precautions

Mechanical—Figure 1 shows the overall dimensions and basing arrangement for the tube.

The tubes should not be subjected to mechanical shock or excessive vibration. Mechanical vibration may cause breakage of the thoriated tungsten filaments.

A free circulation of air must be provided to insure adequate cooling of the glass during operation.

Electrical—Overload protection should always be provided for the plate circuit. A suitable fuse or circuit breaker should remove the plate voltage if the plate current exceeds 1000 milliamperes. Although the tube is sufficiently rugged to withstand momentary overloads a prolonged overload, caused by inefficient adjustment of the circuit, may damage the tube. When adjusting a new circuit, reduced plate voltage or a series resistance of 1000 to 5000 ohms in the plate circuit should be used until it is operating properly.

The filament should always be operated at the rated voltage, measured at the tube terminals. A 5% decrease in filament voltage reduces the thermionic emission approximately 25%. Either direct or alternating current may be used for heating the filament. If direct current is used, the plate and grid circuit returns should be connected to the negative filament terminal. If alternating current is used, the circuit returns should be connected to the center tap of the filament heating transformer winding or to the center tap of a resistor placed between the filament terminals. A resistance of 20 to 30 ohms of three watt rating is suitable.

In cases where severe and prolonged overload has temporarily impaired the electronic emission of the filament, the activity may be restored by operating the filament, with the plate and grid voltages off, 30% above normal voltage for 10 minutes followed by a longer period at normal voltage.

Audio Amplifier or Modulator

Class A—Peak grid drive equal to or less than the grid bias.

Grid bias may be obtained from the drop across a resistance in the plate current return or from a battery or rectifier supply.

Plate dissipation allowable for this type of service is generally lower than is safe for other uses since the energy is dissipated in the plate in smaller areas due to relatively high voltage drop in the tube.

The plate dissipation is equal to the plate voltage multiplied by the normal plate current. Performance data is based upon the use of a resistance load. Undistorted output is calculated on the basis of 5% second harmonic distortion.

Class B—Grid bias practically at cut-off and grid driving voltage higher than the bias.

Two tubes may be used in a balanced circuit. An adequate driving stage and an input transformer with good regulation must be used so that the grid current drawn during positive grid swings does not produce appreciable distortion. The output transformer must transform the load impedance to the proper value for the tubes used. The power output obtainable will be determined by the quality of the transformer used and the amount of distortion which can be tolerated. The grid bias must be held constant and therefore cannot be obtained by grid leak or series resistor methods. A battery or other source having good regulation is necessary.

The power required of a modulator for complete modulation of a Class C amplifier is one-half the direct power input to the plates of the Class C amplifier.

Radio-Frequency Oscillator or Power Amplifier

Class B—Radio-Frequency Amplifier

The Class B radio-frequency amplifier is used to amplify a modulated radio-frequency carrier wave without appreciable distortion. It operates similarly to the Class B audio amplifier except that a single tube may be used, the tuned output circuit serving to preserve the wave shape. The push-pull circuit, however, eliminates the even order harmonics and thus increases the efficiency slightly.

Class C—Radio-Frequency Oscillator or Power Amplifier—Grid bias below cut-off.

Unmodulated

This type of operation is suitable for telegraphy, or the production of a continuous flow of radio-frequency power for purposes other than communication.

Plate Modulated

This type of operation is for use when the modulating voltage is superimposed on the plate supply voltage and to obtain good quality the output power should vary as the square of the plate voltage. For complete or 100% modulation, the plate voltage varies from zero to twice the applied direct value during a cycle of the audio frequency. With no modulation applied, the plate voltage is, of course, the direct value and the carrier power output is one-fourth of the peak power output under 100% modulation. In this case, since the plate voltage varies with modulation, the direct value must be rated lower than for other types of operation.

High Frequency Ratings

The frequency limits specified under maximum ratings are based on the tube being used as an oscillator. The tube may be used at full rating up to 20 megacycles. When operating at higher frequencies, the dielectric losses, charging currents and lead-in heating are increased greatly. The plate voltage and hence plate dissipation must be reduced to values specified for the upper frequency limit and for frequencies between these two limits the plate voltage should be proportionately reduced.

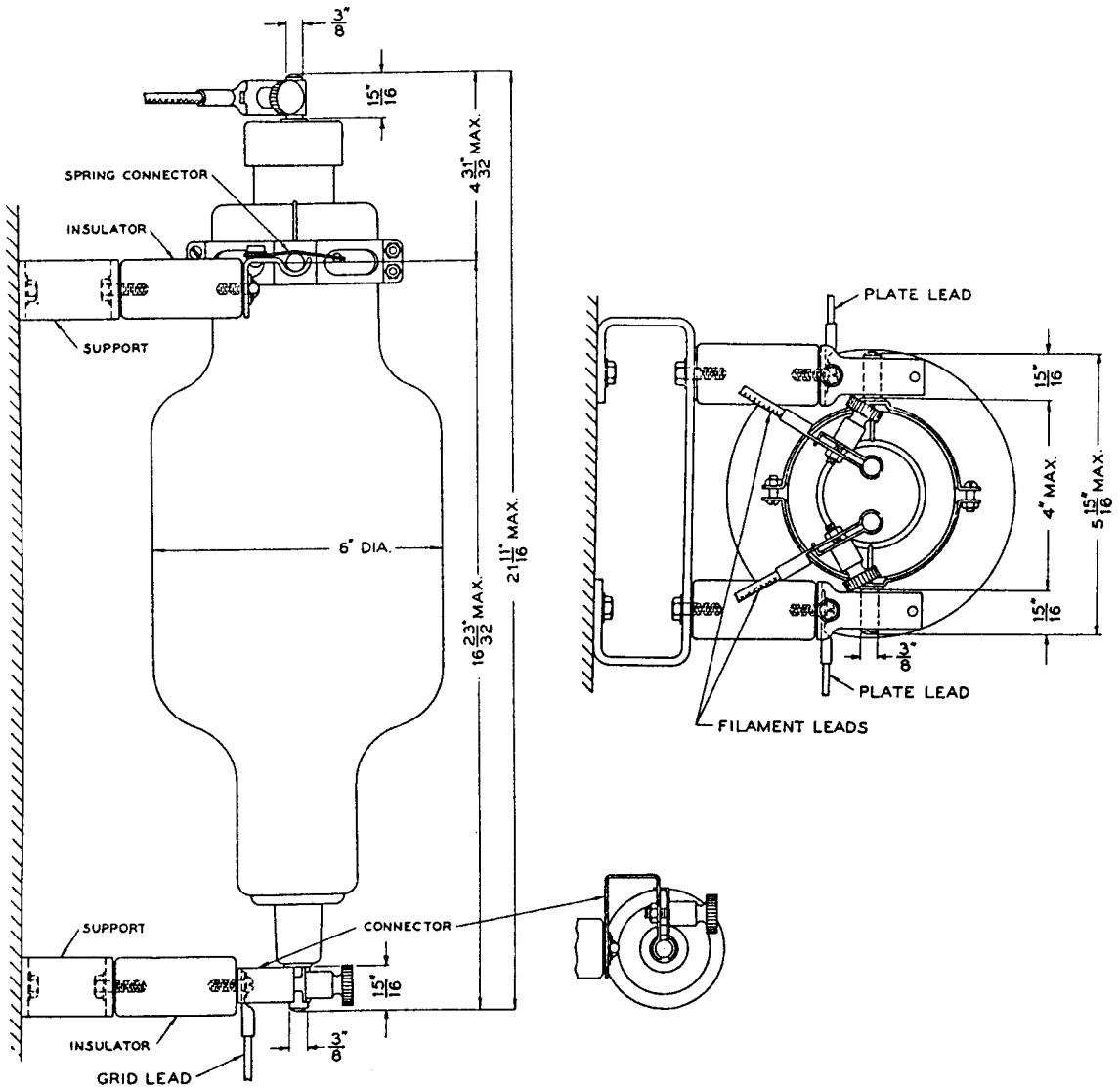


FIG. 1

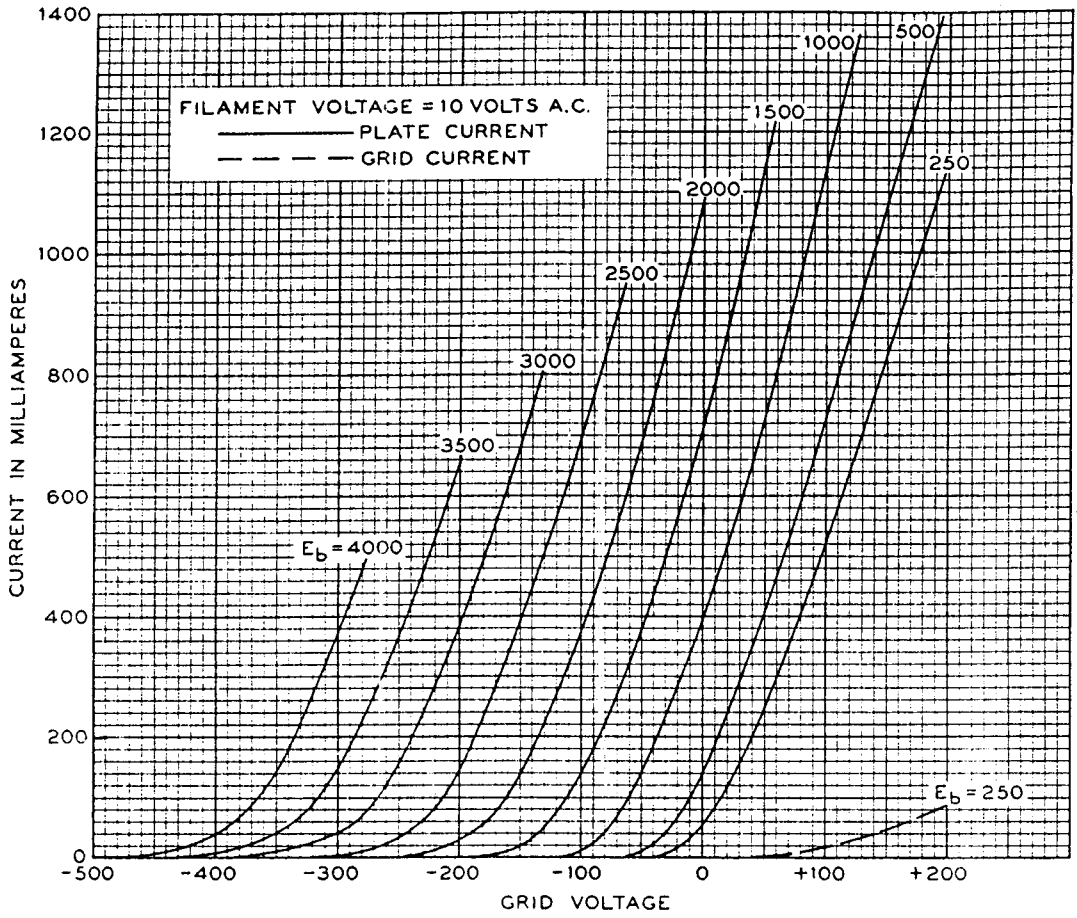


FIG. 2

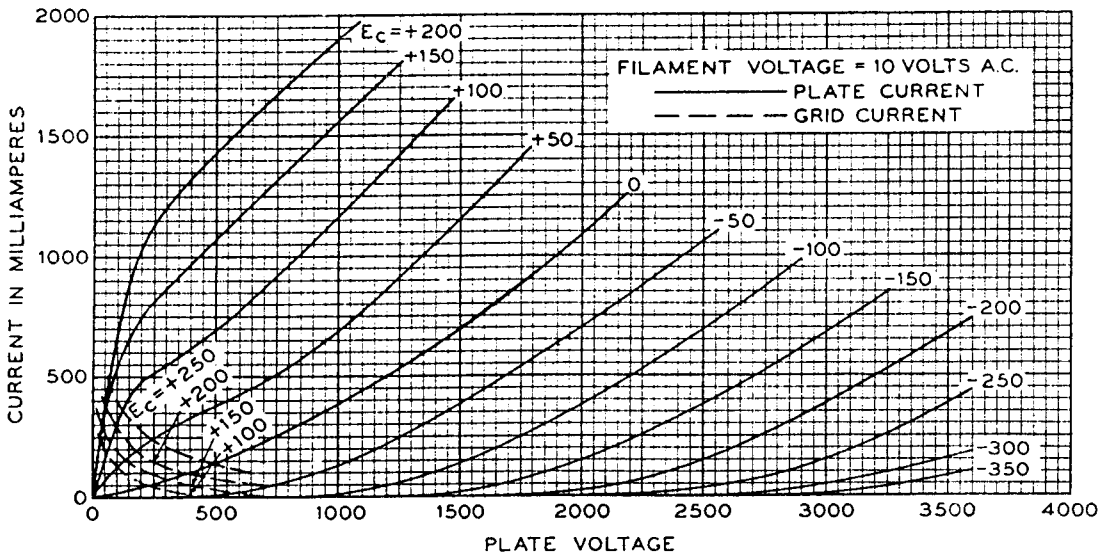


FIG. 3