



EITEL-McCULLOUGH, INC.
SAN CARLOS, CALIFORNIA

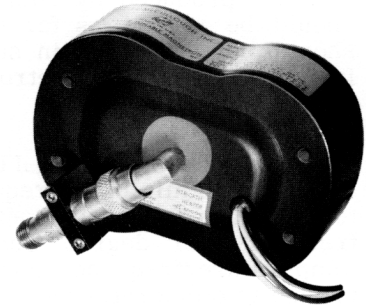
X-1088-B

**Low Noise
Voltage Tunable
Magnetron**
**Frequency
520 - 925 Mc**
**Minimum Output
Power 32 mW**

TYPICAL PERFORMANCE

ELECTRICAL

Frequency Range	- - - - -	520-925 Mc
Anode Voltage	- - - - -	1000-2000 V
Cathode Current	- - - - -	2-4 mA
Typical Output Power	- - - - -	30-50 mW
Anode FM Sensitivity	- - - - -	.55 Mc/V
Injection Anode Voltage	- - - - -	100 V
Injection Anode Current	- - - - -	0.02 mA
Heater Voltage (AC)	- - - - -	6.3 V
Heater Current (AC)	- - - - -	0.8 A
Load Impedance	- - - - -	50 ohms
Service	- - - - -	cw
Noise	- - - - -	-85 db
		(See Note 5)
VSWR (max)	- - - - -	2:1



**P-BAND
OSCILLATOR**

***MAXIMUM RATINGS**

Anode Voltage	- - - - -	2300 V
Cathode Current	- - - - -	10 mA
Injection Anode Voltage	- - - - -	+300 V
Injection Anode Current	- - - - -	1 mA

*Damage to the tube may occur if maximum ratings are exceeded.

MECHANICAL

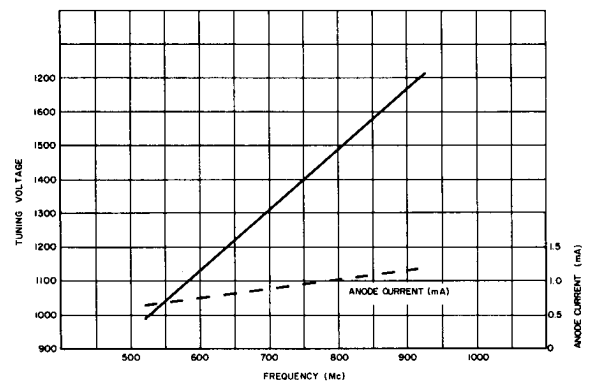
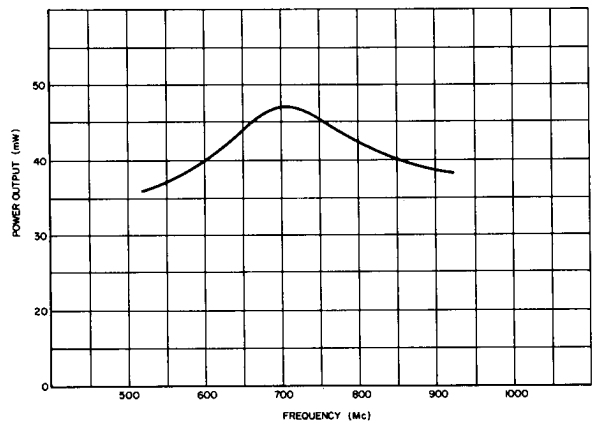
Operating Position	- - - - -	Any
Cooling	- - - - -	Conduction
Electrical Connection	- - - - -	Flexible Leads
RF Output Coupling	- - - - -	Type TNC Jack
		(See Outline Drawing)
Weight	- - - - -	3.5 Pounds

ENVIRONMENTAL

Vibration	- - - - -	10G-(to 2 kc)
Shock	- - - - -	100G-(11 ms)
Altitude	- - - - -	70,000 ft.

OUTLINE DIMENSIONS

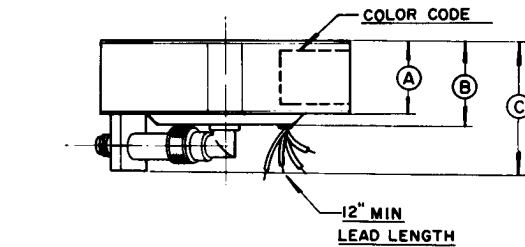
Height	- - - - -	3.1 inches
Width	- - - - -	2.5 inches
Length	- - - - -	4.6 inches



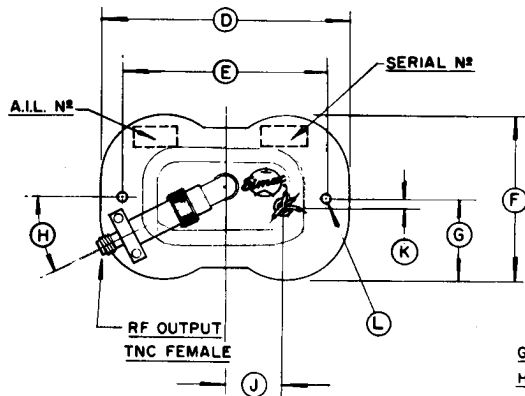


APPLICATION NOTES

- COOLING:** To insure optimum tube performance the magnet temperature should be maintained below 70° C.
- PROXIMITY OF FERROUS MATERIALS:** To minimize variations in performance, ferrous materials should be kept at least 6 inches from the magnetron package. Modulation of the tube may be produced by rotating ferrous materials and such parts as fans, shafts and couplings should be placed as far from the magnetron package as possible. Transformers and chokes should not be placed in such close proximity to the tube that their stray magnetic fields will interfere with the magnetron operation.
- TEMPERATURE STABILITY:** The permanent magnet for the X-1088-B has been temperature stabilized to minimize frequency changes caused by variations in the ambient temperature. The temperature/frequency coefficient for the X-1088-B package is typically .008% of the operating frequency per degree Centigrade. Thus, for an operating frequency of 700 megacycles, the temperature/frequency coefficient is typically 56 kilocycles per degree Centigrade. A positive change in temperature will always produce a positive change in frequency.
- ANODE VOLTAGE:** The operating frequency is a function of the anode voltage; therefore, any voltage ripple on the anode supply will appear as frequency modulation on the RF output signal.
- NOISE:** 5 points as measured using a 60 Mc If, both sidebands and a 2 Mc bandpass (This measuring technique is one of many methods available. Other methods will be entertained.)



DIMENSIONS IN INCHES			
DIMENSIONAL DATA			
REF.	MIN.	MAX.	NOM.
A			1.375
B			1.562
C			2.500
D		4.600	
E	3.640	3.671	
F		3.100	
G			1.500
H			27°
J			1.062
K			.375
L			.173 D.



CONNECTIONS
 GROUND - GREEN
 HEATER - WHITE
 HEATER CATHODE - BLACK
 INJECTION ANODE - YELLOW