

## VACUUM SWITCH

### DESCRIPTION

The FA-15 single-pole double-throw vacuum switch is designed for operation in high-speed relay construction, in d-c circuits involving high inductance, and in installations that require the circuit to be opened by a slow movement.

Since the switch is enclosed in a vacuum, its operation is unaffected by atmospheric conditions,

contacts are free from contamination, and resistance remains low. The construction minimizes arcing at the contacts. Only a few thousandths of an inch movement is required to interrupt rated current. This feature coupled with low operating pressure and light weight of the moving parts enables the FA-15 to be operated by a small amount of power.

### TECHNICAL INFORMATION

*These data are for reference only. For design information refer to specifications.*

### GENERAL CHARACTERISTICS

#### Electrical

Interrupting current rating, a-c rms, resistive load current

For total life of 1000 operations	
at 3000 volts, a-c rms.....	10 amperes
For total life of 100,000 operations	
at 3000 volts, a-c rms.....	3 amperes
For total life of 1,000,000 operations	
at 3000 volts, a-c rms.....	1 ampere
For total life of 500,000,000 operations	
at 3000 volts, a-c rms.....	0.1 ampere

  
*Electronic*  
TUBE

**GENERAL  ELECTRIC**

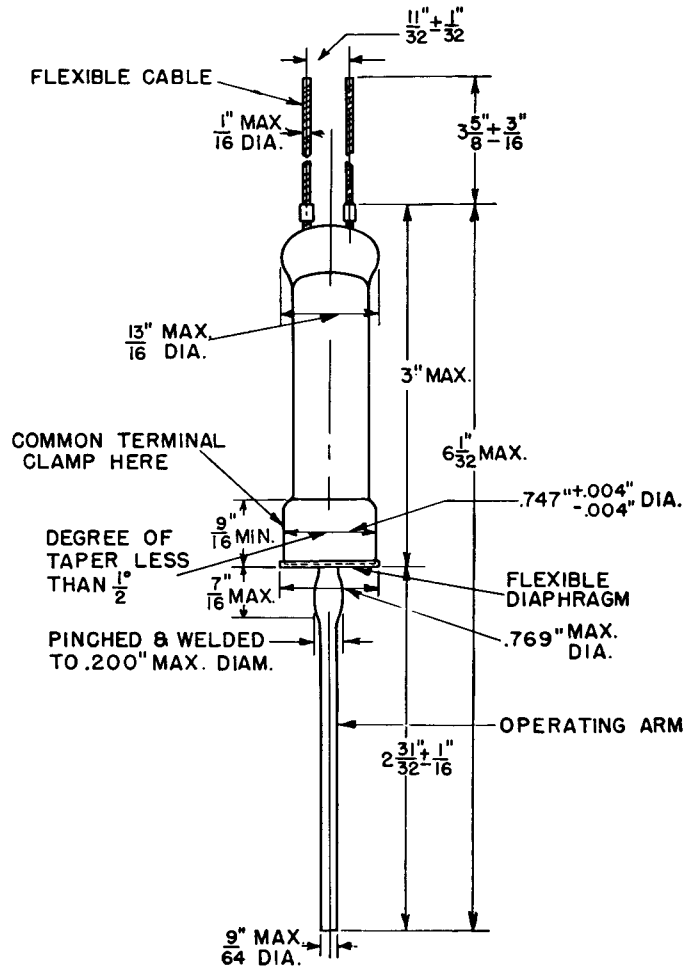
**TECHNICAL INFORMATION (CONT'D)**

**Mechanical**

Net weight, approximate . . . . .	1 ounce
Shipping weight, approximate . . . . .	3 pounds
Mounting position . . . . .	any
Maximum over-all length (not including leads) . . . . .	6 <sup>1</sup> / <sub>32</sub> inches
Maximum over-all width . . . . .	1 <sup>3</sup> / <sub>16</sub> inch
Maximum over-all thickness . . . . .	2 <sup>5</sup> / <sub>32</sub> inch

**MAXIMUM RATINGS**

Internal hold-off voltage, rms . . . . .	3000 volts
Maximum continuous current, rms . . . . .	15 amperes
Ambient temperature range . . . . .	- 40 to +100 centigrade
Maximum allowable force on operating arm . . . . .	500 grams



K-5340821

8-10-44

OUTLINE  
 FA-15 VACUUM SWITCH