



Hot Cathode Mercury Vapour Rectifier

2V/400A

CATHODE.

Oxide-coated filament, shielded

Voltage	2.5	V
Nominal current	5.0	A

DIMENSIONS.

Maximum overall length	170	mm.
Maximum bulb diameter	66	mm.
Base—American medium 4 pin		
Net weight	125	g.

MAXIMUM RATINGS.

Maximum peak inverse voltage	10	kV
Maximum peak anode current	1.0	A
Maximum average anode current	0.25	A
Condensed mercury temperature range	25°-65°C	
(with forced ventilation)		

The above ratings apply to operation with a choke input filter and a supply frequency of 50 c/s.

MAXIMUM P.I.V. VOLTAGE RATINGS AND CONDENSED MERCURY TEMPERATURE

Natural ventilation...	...	25°—55°C	20°C—40°C
Forced ventilation	25°—65°C	20°C—60°C
Peak Inverse Voltage	...	up to 5kV	5kV to 10kV

2V/400A

Hot Cathode Mercury Vapour Rectifier



2V/400A

TYPICAL OPERATING CONDITIONS

Circuit No.	No. of valves	Maximum D.C. output voltage	Maximum D.C. output current
2	2	3.200V	0.5A
3	4	6.500V	0.5A
4	3	4.500V	0.75A
5	6	4.500V	1.5A
6	6	9.500V	0.75A

This rectifier being directly heated, it is recommended that the output circuit be returned to the mid-point of the filament transformer secondary.

CATHODE HEATING TIME.

Minimum pre-heating period 30 seconds. After shipment or transit the pre-heating period must not be less than 5 minutes before any anode voltage is applied, so that the mercury may be correctly distributed.

Temperature limits given under "Natural Ventilation" are only valid for unrestricted natural ventilation forced air blast being required for operation up to the maximum condensed mercury temperature limit.

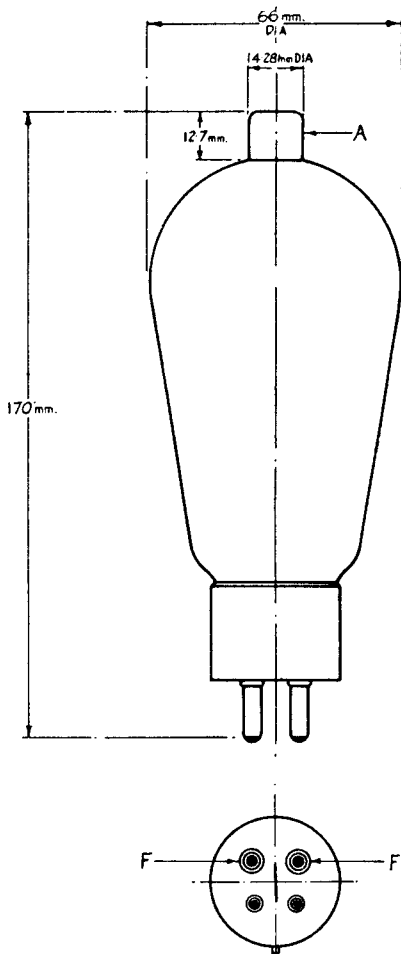
NOTE.—Before putting a valve of this type into service it is recommended that reference be made to General Information Sheet K.

2V/400A



Hot Cathode Mercury Vapour Rectifier

2V/400A



July 1946

2V/400A—3

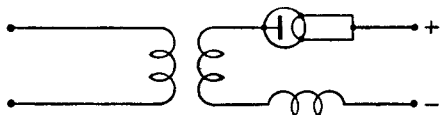
2V/400A

Hot Cathode Mercury Vapour Rectifier

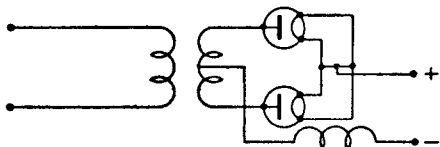


2V/400A

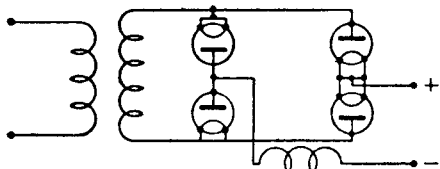
Circuit
No.
1



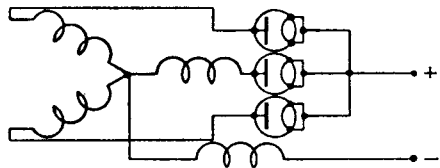
2



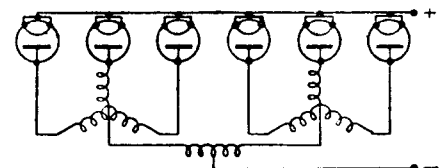
3



4



5



6

