

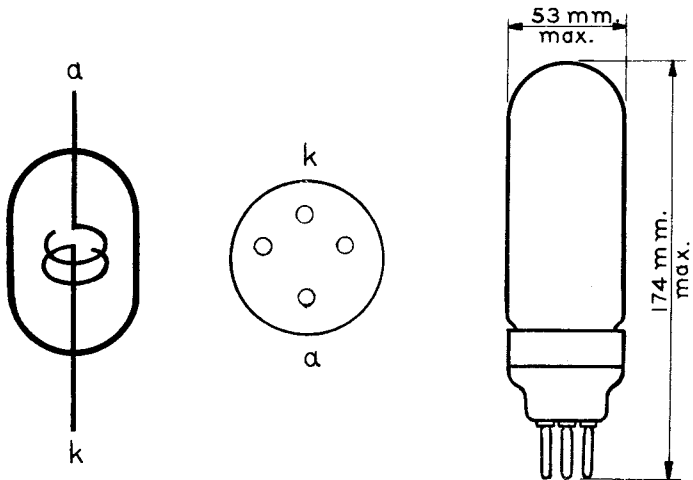
# Mullard NEON STABILISING TUBE

# 100E1

### Operating Conditions

V max starting .....	140	V
V burning (50 mA).....	90-105	V
I quiescent .....	125	mA
I max .....	200	mA
I min .....	50	mA
A.C. resistance max .....	30	ohms ←

Arrangement of electrodes and base connections.



100E1

# 100E1

## Mullard NEON STABILISING TUBE

