

# Central ELECTRONIC

## MANUFACTURERS

DENVILLE, NEW JERSEY

PULSE TUBE

7545/XD-45

3.4 MEGAWATTS

### Description

The Central tube type 7545/XD-45 is a forced-air-cooled triode specifically designed for use in pulsed service as an amplifier and modulator switch tube.

### Filament-thoriated tungsten

$E_f$  10V  
 $I_f$  120A  
 $\mu$  30

### Maximum Ratings:

Plate Voltage —	25000 volts dc for pulse application
Plate Voltage —	8000 volts dc for cw application
Cathode Current —	200 peak amperes
Plate Current —	6 amperes dc
Plate Dissipation	6 Kw forced air cooled
Power Input —	48 Kw for class C Telegraphy

### Typical Operation

Pulsed RF power amplifier .03 duty class B

Plate Voltage	15000 volts dc
Grid Voltage	-600 volts dc
Peak RF Grid Voltage	2560 volts
D.C. Plate Current	0.573 amperes
Driving Power	461 watts
Pulse Power Output	390 Kw

Air Flow for 6 Kw 200 cfm @ 1" water back pressure

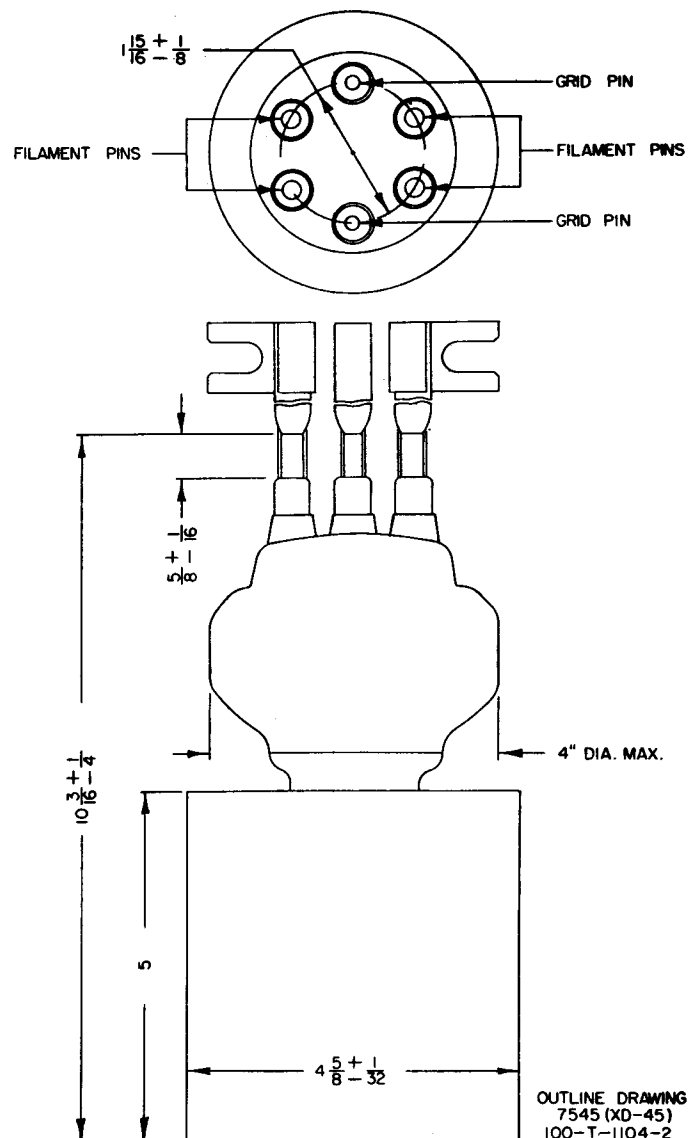
### PULSED SWITCH TUBE 0.002 DUTY

$E_f$ 10 Vdc	
Plate Voltage	25000 volts dc
Peak Plate Current	130 amperes
Peak Grid Current	70 amperes
Average Plate Dissipation	6 Kw forced air cooled
Pulse Width	25 $\mu$ seconds
Peak Power Switched	2.6 Mw

$E_f$ 10.8 Vdc	
Plate Voltage	25000 volts dc
Peak Plate Current	180 amperes
Peak Grid Current	100 amperes
Average Plate Dissipation	6 Kw forced air cooled
Pulse Width	25 $\mu$ seconds
Peak Power Switched	

### PULSED SWITCH TUBE 0.06 DUTY

$E_f$ 10.8 Vdc	
Plate Voltage	25000 Vdc
Peak Plate Current	120 amperes
Peak Grid Current	65 amperes
Average Plate Dissipation	6 Kw forced air cooled
Pulse Width	3000 $\mu$ seconds

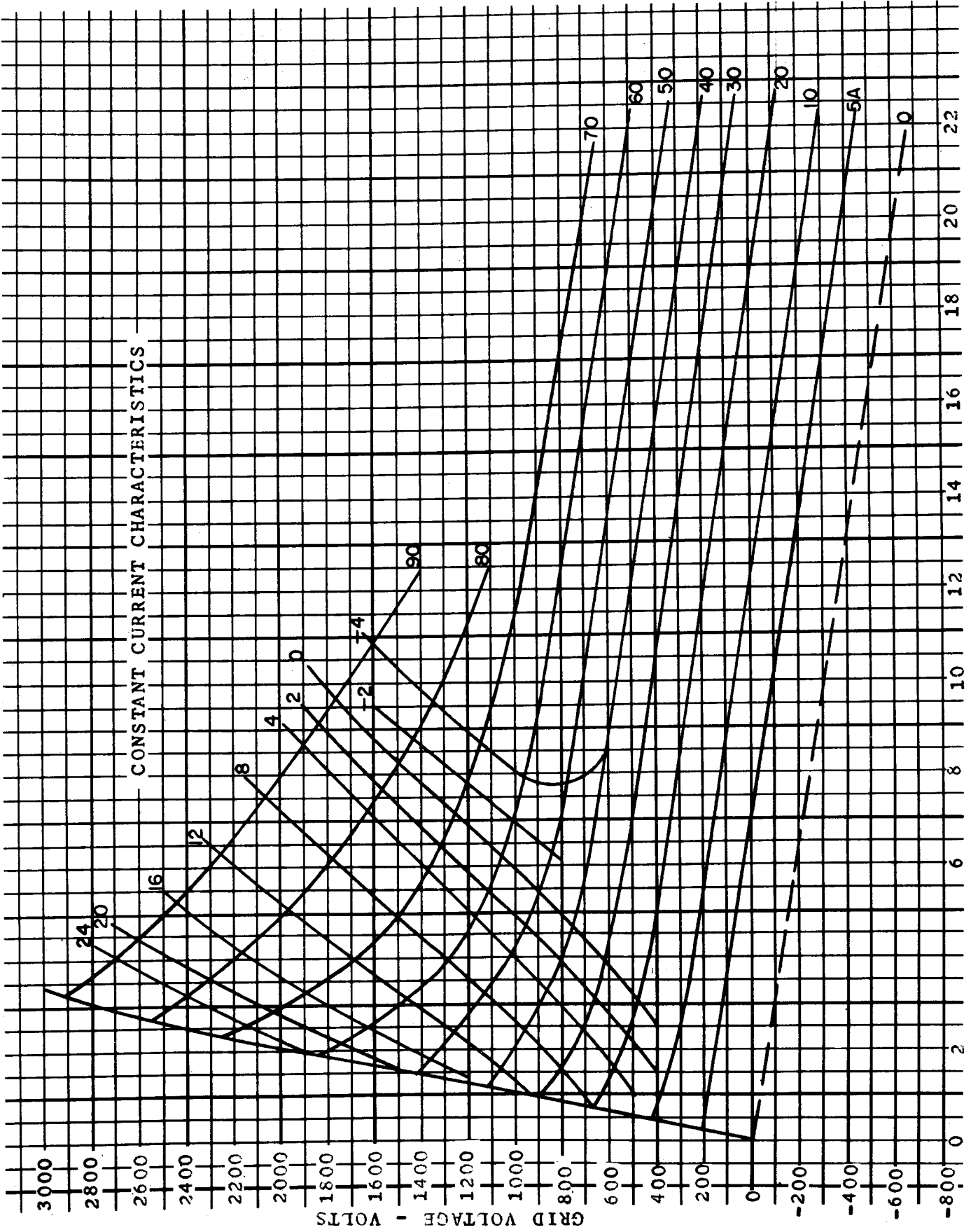


PROVISIONAL DATA  
 Issued 5/60  
 Check factory before  
 finalizing designs.

(Over)



CONSTANT CURRENT CHARACTERISTICS



ANODE VOLTAGE - KV.